



US00D447847B1

(12) **United States Design Patent**
Shyshka et al.

(10) **Patent No.:** **US D447,847 S**

(45) **Date of Patent:** **** Sep. 11, 2001**

(54) **WHEELED CART**

(76) Inventors: **Harold Shyshka**, 5965 Tweedsmuir Crescent, Nanaimo, British Columbia (CA), V9T 5Y7; **Arthur G. Bryce**, 1851 Meadowlark Crescent, Nanaimo, British Columbia (CA), V9X 1G6; **Timothy Shyshka**, R.R. #3, 2760 Ritten Road, Ladysmith, British Columbia (CA), V0R 3E0

(**) Term: **14 Years**

(21) Appl. No.: **29/105,684**

(22) Filed: **Jun. 1, 1999**

(51) **LOC (7) Cl.** **12-02**

(52) **U.S. Cl.** **D34/21; D34/5; D34/17**

(58) **Field of Search** **D34/12-27, 5, D34/6; 248/97, 99, 95, 100, 101; 280/33.996, 33.991, 47.35, 79.11**

(56) **References Cited**

U.S. PATENT DOCUMENTS

| | | | |
|------------|-----------|--------------------------------|--------|
| D. 156,810 | 1/1950 | Brownlee . | |
| D. 280,858 | 10/1985 | Muellner et al. . | |
| D. 331,135 | * 11/1992 | Lewandowski et al. | D34/18 |
| D. 333,895 | * 3/1993 | Niemeyer | D34/5 |
| D. 386,873 | * 11/1997 | Langlois D'Estaintot et al. .. | D34/21 |
| D. 396,923 | 8/1998 | Moore . | |
| D. 422,392 | * 4/2000 | Weinstein | D34/12 |
| 2,855,210 | 10/1958 | Joyce . | |
| 2,921,694 | 1/1960 | Decker et al. . | |
| 3,111,333 | 11/1963 | Marini et al. . | |
| 3,262,713 | 7/1966 | Crawford, Sr. . | |
| 3,280,988 | 10/1966 | Bennett . | |

| | | | |
|-----------|----------|-----------------|------------|
| 3,380,752 | 4/1968 | Goettl et al. . | |
| 3,561,606 | 2/1971 | Stewart . | |
| 4,521,030 | 6/1985 | Vance . | |
| 4,821,903 | 4/1989 | Hayes . | |
| 5,192,092 | 3/1993 | DeBenedetto . | |
| 5,595,394 | * 1/1997 | Adamson | 280/33.993 |
| 5,595,395 | 1/1997 | Wilson . | |

FOREIGN PATENT DOCUMENTS

| | | |
|---------|---------|--------|
| 463805 | 3/1950 | (CA) . |
| 619241 | 5/1961 | (CA) . |
| 954159 | 9/1974 | (CA) . |
| 2059351 | 5/1997 | (CA) . |
| 2201974 | 10/1998 | (CA) . |

* cited by examiner

Primary Examiner—Kay H. Chin

(74) *Attorney, Agent, or Firm*—Hat Pacific Industries Ltd.;
H. Shyshka; A. Bryce

(57) **CLAIM**

The ornamental design for a wheeled cart, as shown and described.

DESCRIPTION

FIG. 1 is a rear perspective view of a wheeled cart showing our new design;
FIG. 2 is a front perspective view thereof;
FIG. 3 is a top plan view thereof;
FIG. 4 is a bottom plan view thereof;
FIG. 5 is a left side elevational view thereof;
FIG. 6 is a right side elevational view thereof;
FIG. 7 is a rear elevational view thereof; and,
FIG. 8 is a front elevational view thereof.

1 Claim, 3 Drawing Sheets



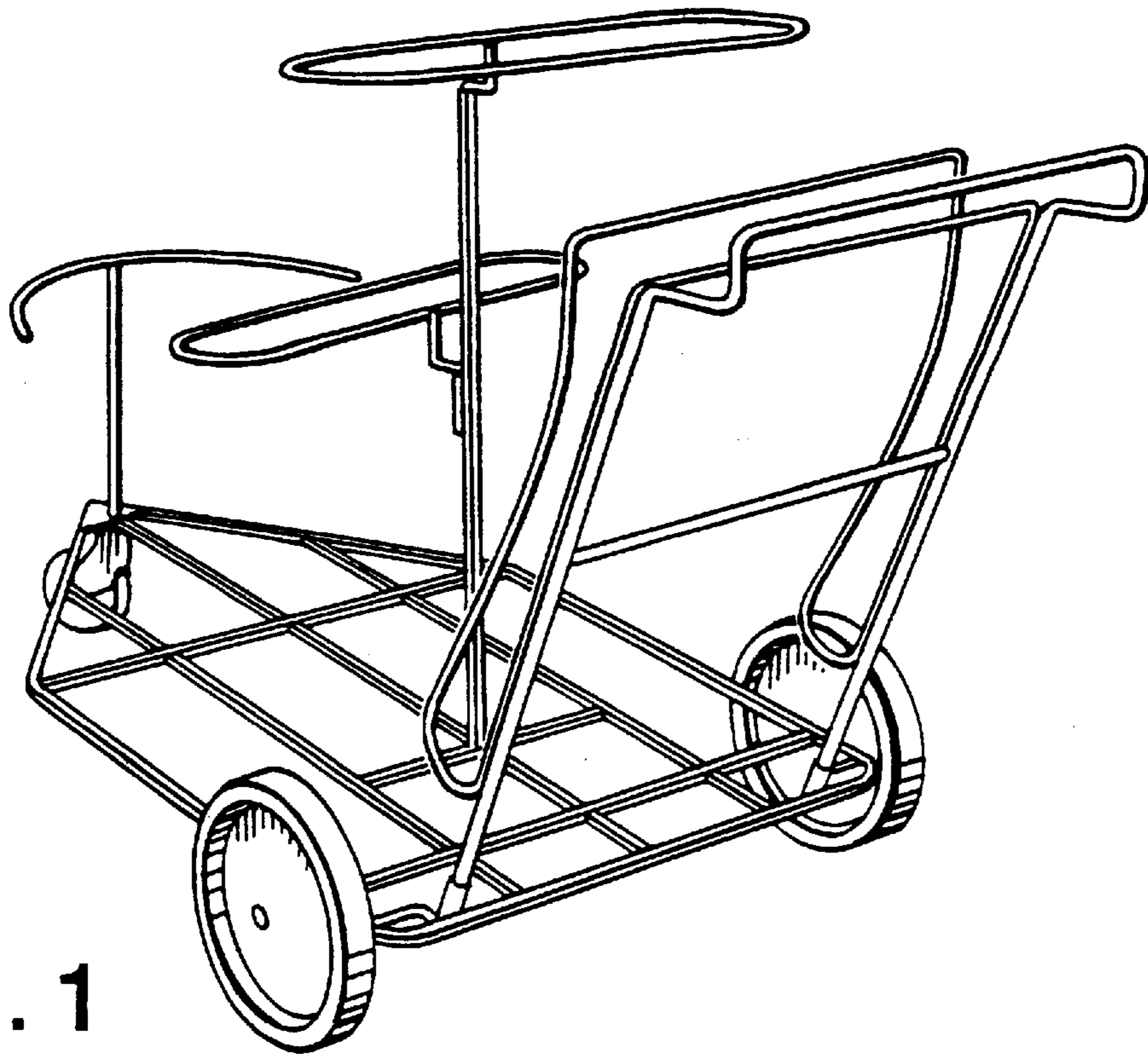


FIG. 1

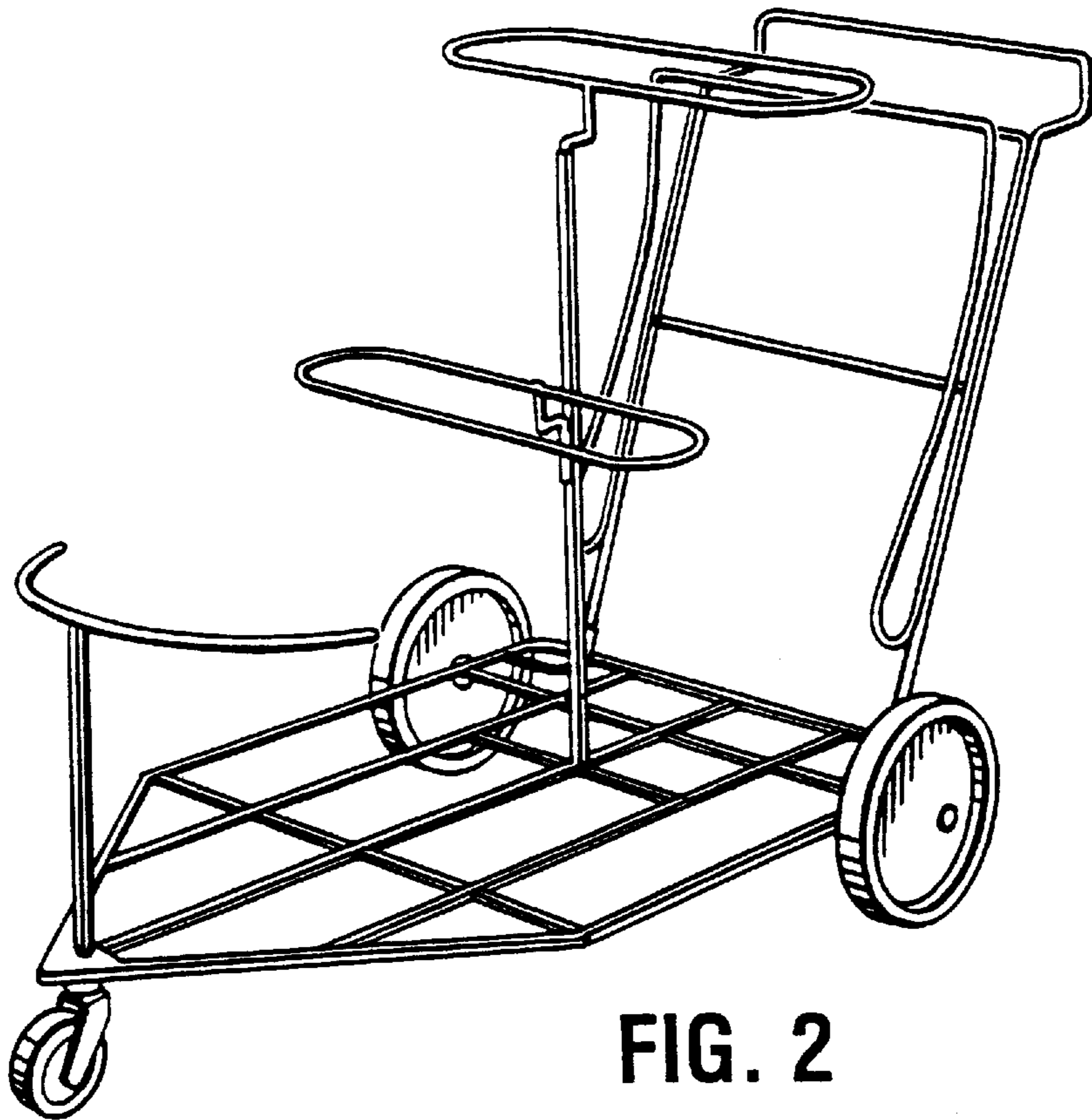


FIG. 2

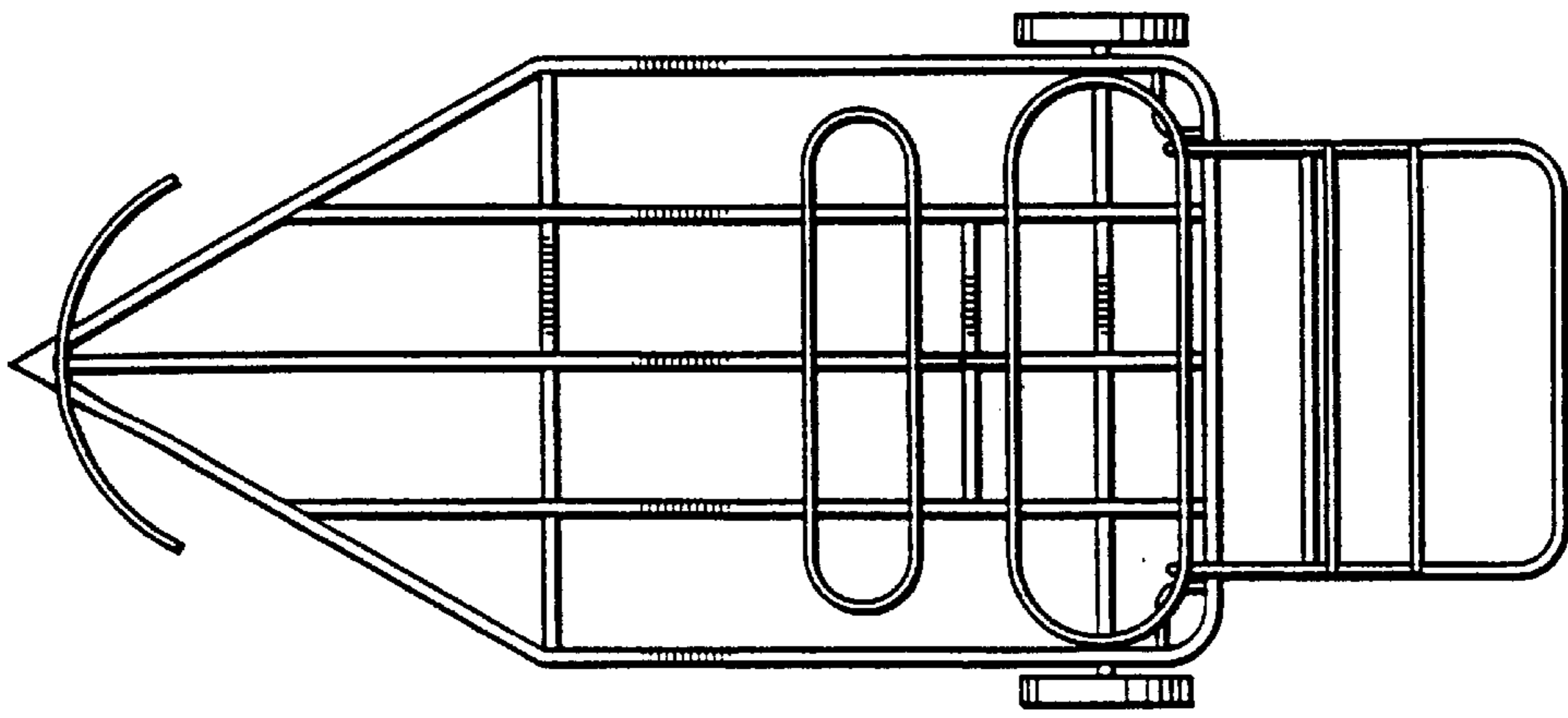


FIG. 3

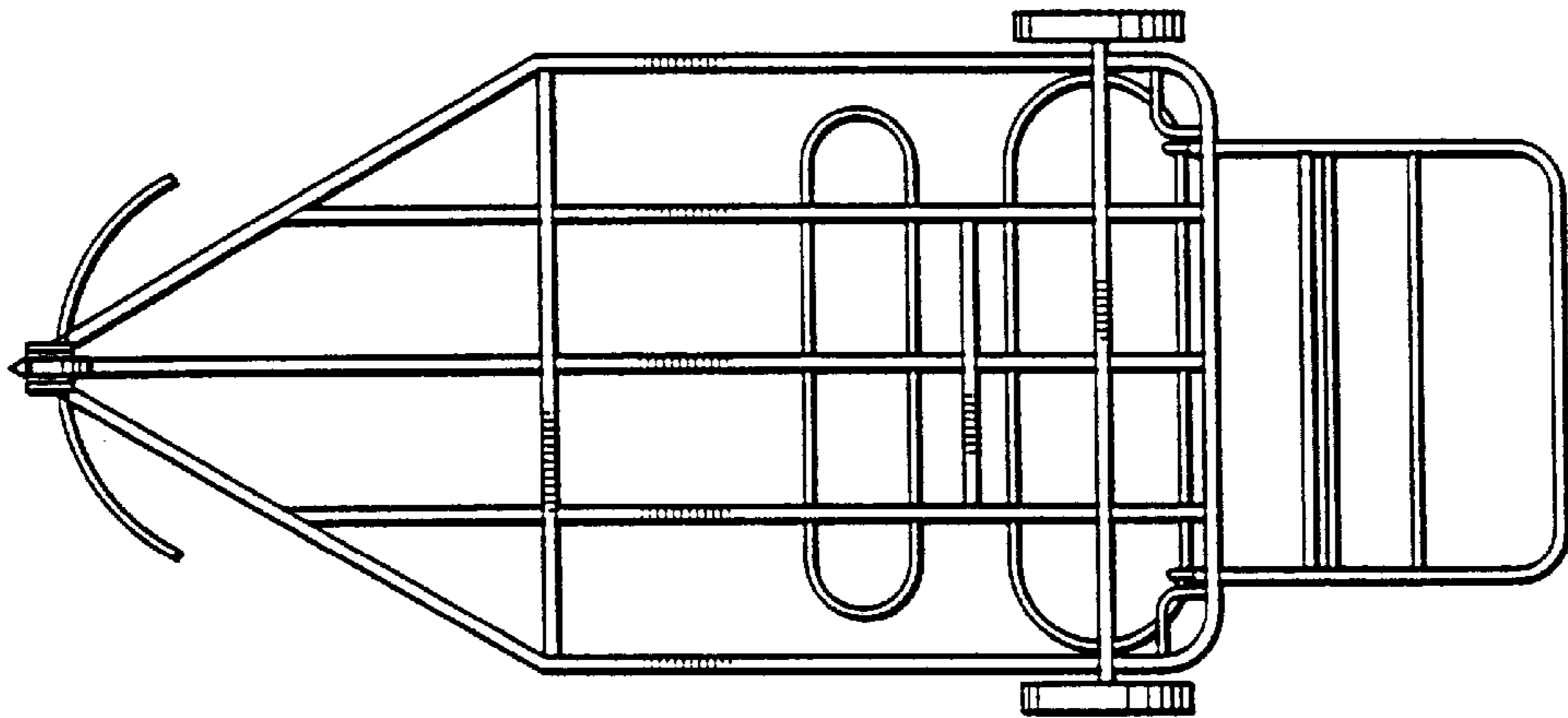


FIG. 4

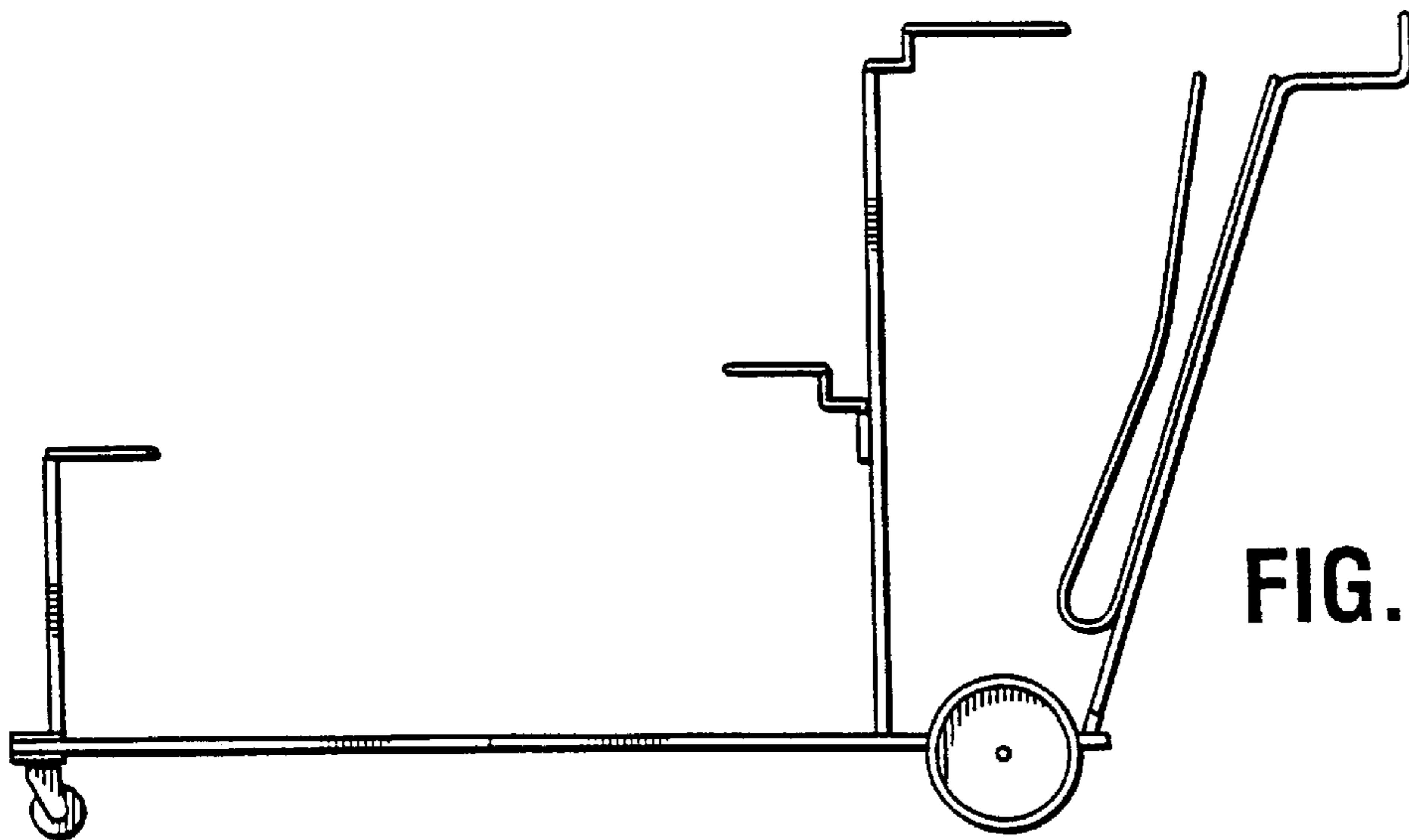


FIG. 5

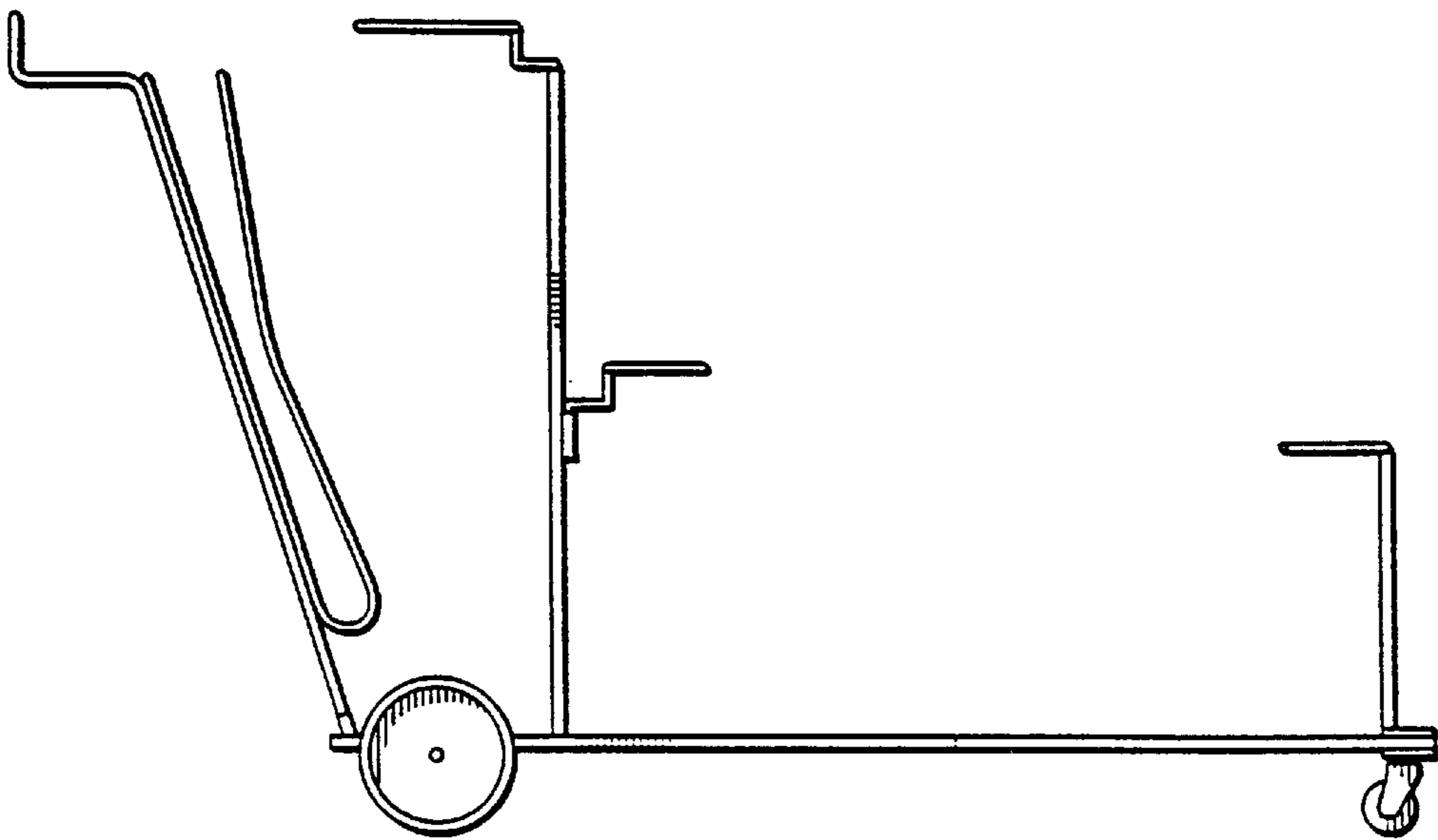


FIG. 6

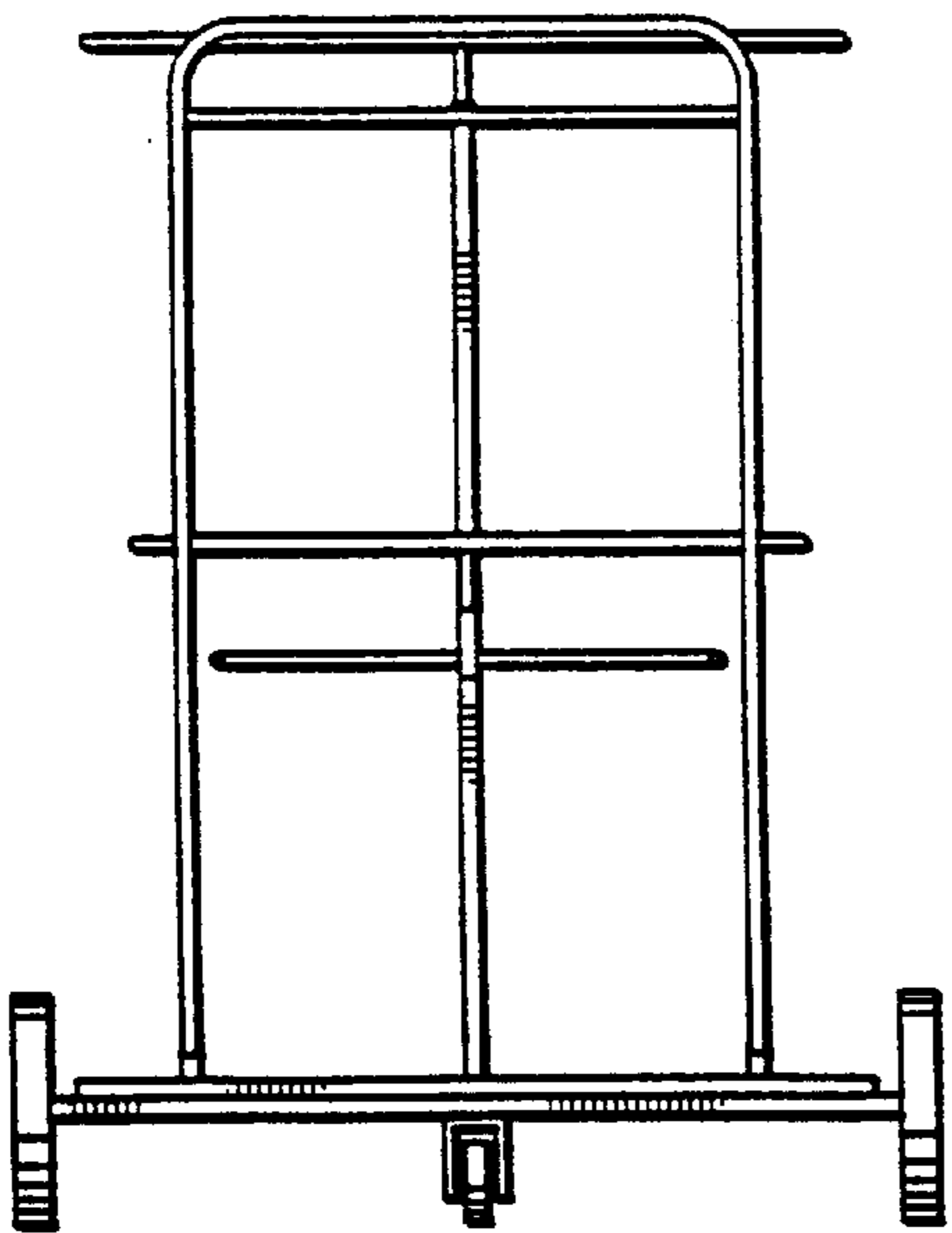


FIG. 7

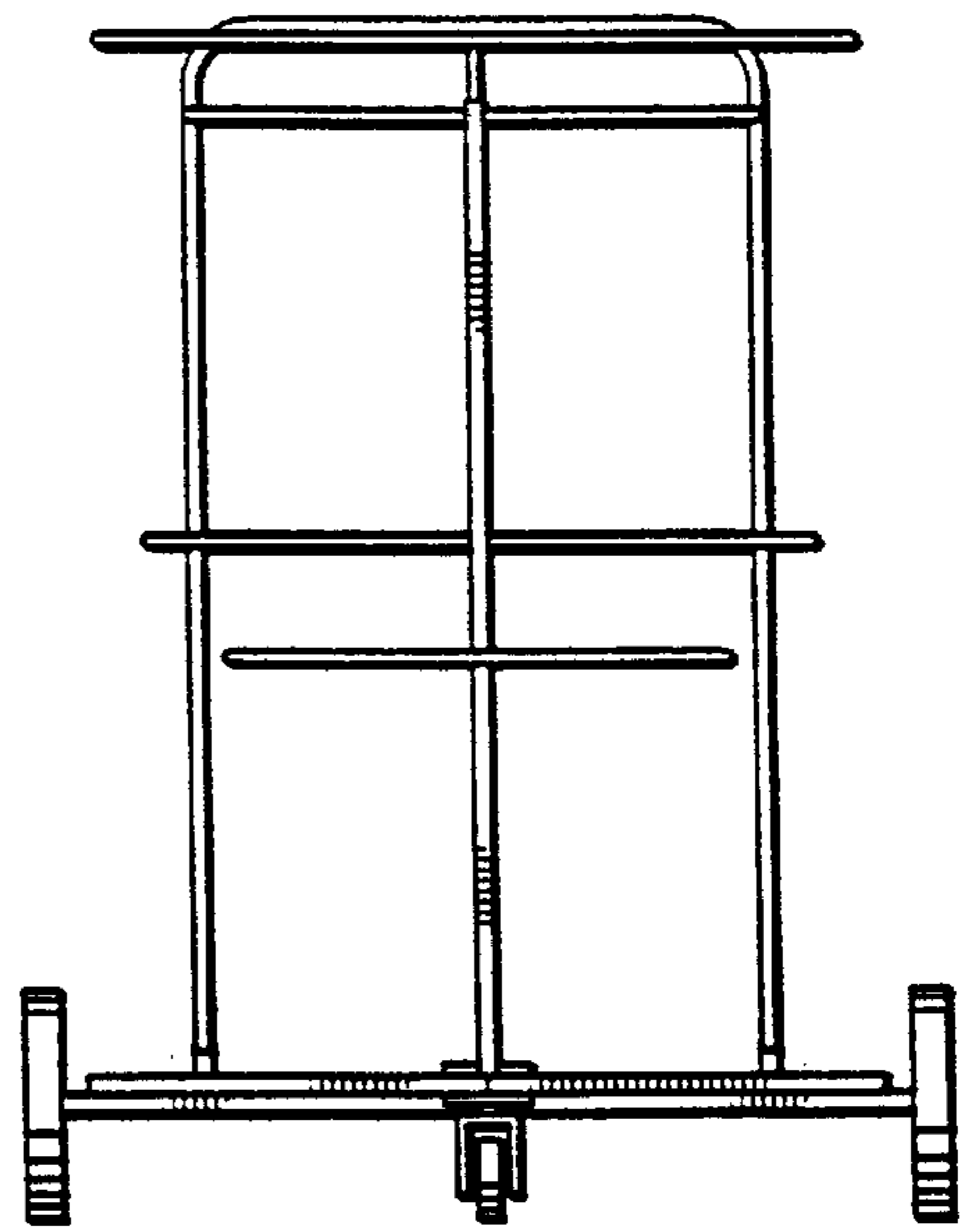


FIG. 8