



US00D447846B1

(12) **United States Design Patent**
Wood

(10) **Patent No.:** **US D447,846 S**

(45) **Date of Patent:** **** *Sep. 11, 2001**

(54) **BEVERAGE CART**

(75) **Inventor:** **Noel Sydney Davidson Wood, Hunter's Hill (AU)**

(73) **Assignee:** **Mobile Vending Units Pty., Ltd., Queensland (AU)**

(*) **Notice:** This patent is subject to a terminal disclaimer.

(**) **Term:** **14 Years**

(21) **Appl. No.:** **29/088,974**

(22) **Filed:** **Jun. 4, 1998**

(30) **Foreign Application Priority Data**

Dec. 4, 1997 (AU) 3967/97

(51) **LOC (7) Cl.** **12-02**

(52) **U.S. Cl.** **D34/19; D34/14**

(58) **Field of Search** D34/12-27; 296/22, 296/1.1; 280/47.131, 47.15, 47.24, 47.35, 79.11, 79.4

(56) **References Cited**

U.S. PATENT DOCUMENTS

D. 148,415 * 1/1948 Harper D34/19 X

D. 231,132 * 4/1974 Seastrom D34/19
D. 267,358 * 12/1982 Carville D34/17
D. 395,112 * 6/1998 Puhl D34/25

* cited by examiner

Primary Examiner—Kay H. Chin

(74) *Attorney, Agent, or Firm*—Frommer Lawrence & Haug, LLP; William S. Frommer

(57) **CLAIM**

The ornamental design for “beverage cart”, as shown.

DESCRIPTION

FIG. 1 is a perspective view of the beverage cart showing my new design;

FIG. 2 is top view thereof;

FIG. 3 is a left/right side view thereof;

FIG. 4 is a front/rear view thereof;

FIG. 5 is a bottom view thereof;

FIG. 6 is a perspective view of my beverage cart with its doors in the open position;

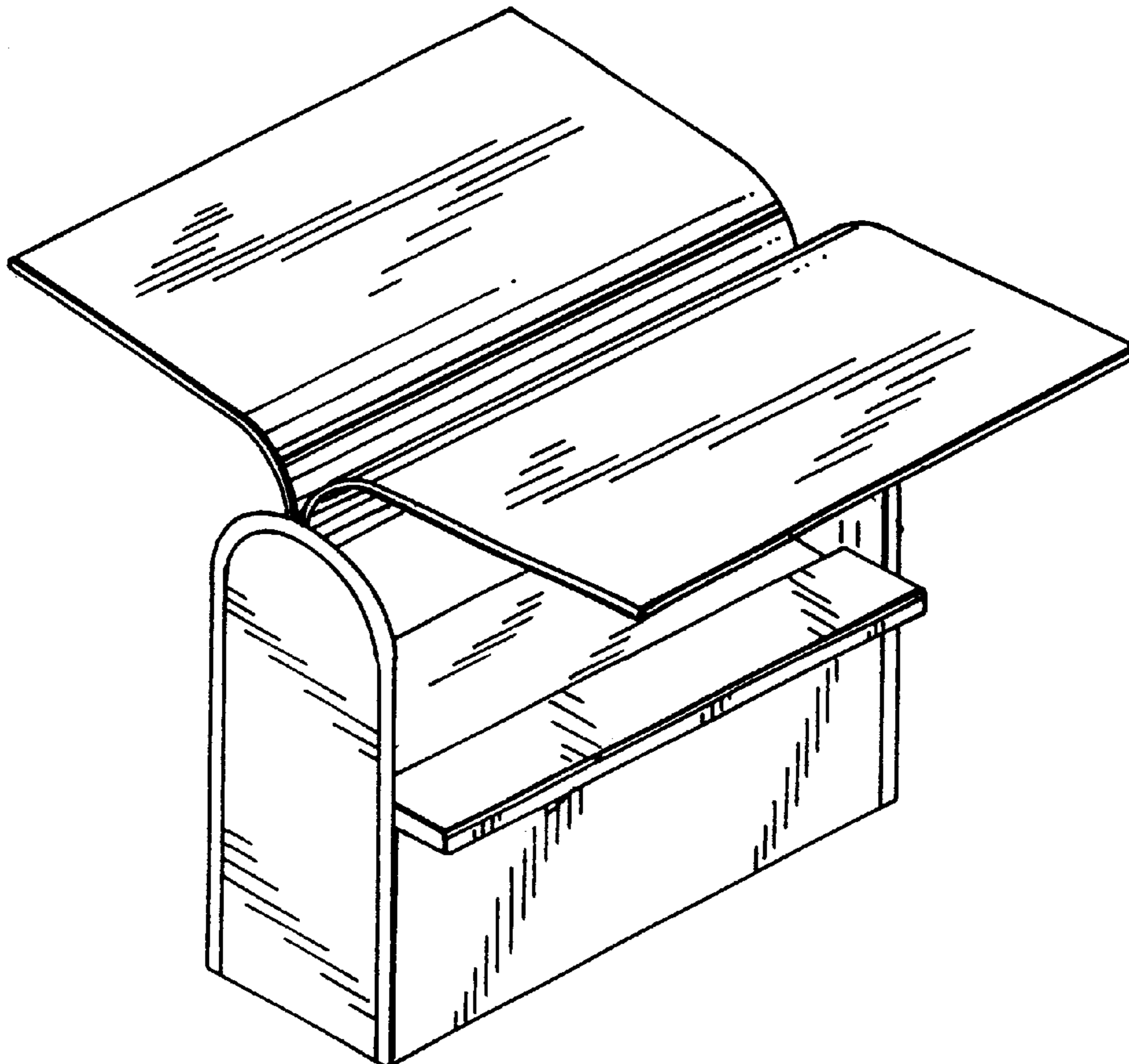
FIG. 7 is a top view thereof;

FIG. 8 is a left/right side view thereof;

FIG. 9 is a front/rear view thereof; and,

FIG. 10 is a bottom view thereof.

1 Claim, 3 Drawing Sheets



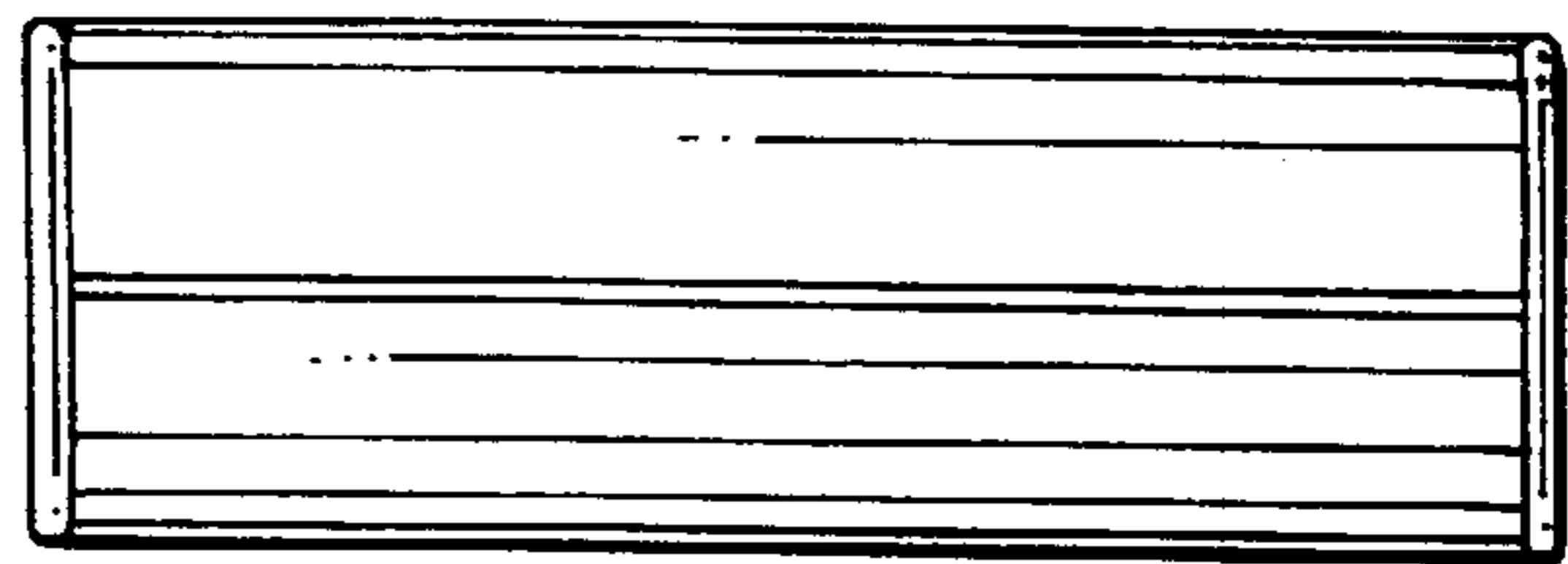
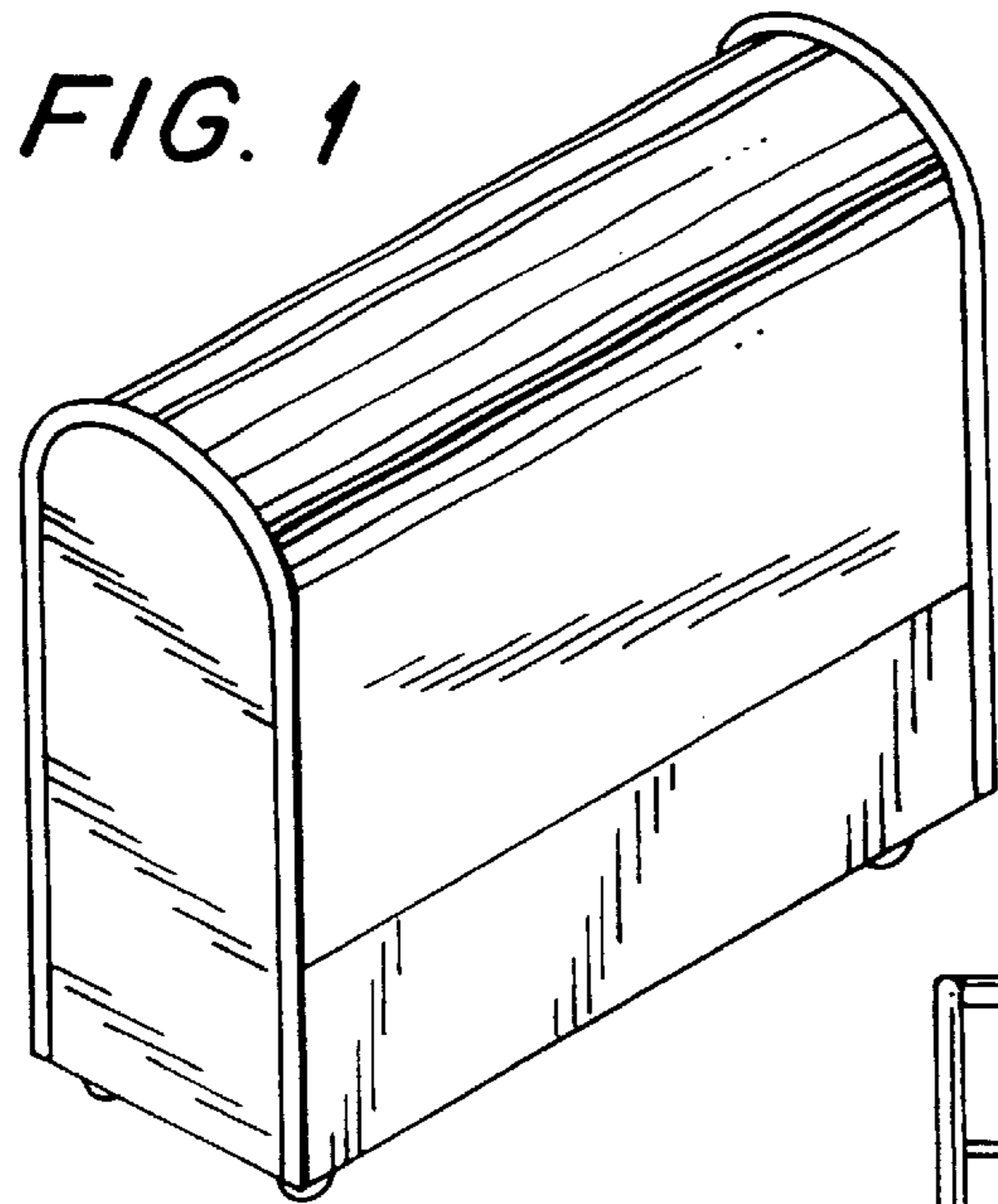


FIG. 2

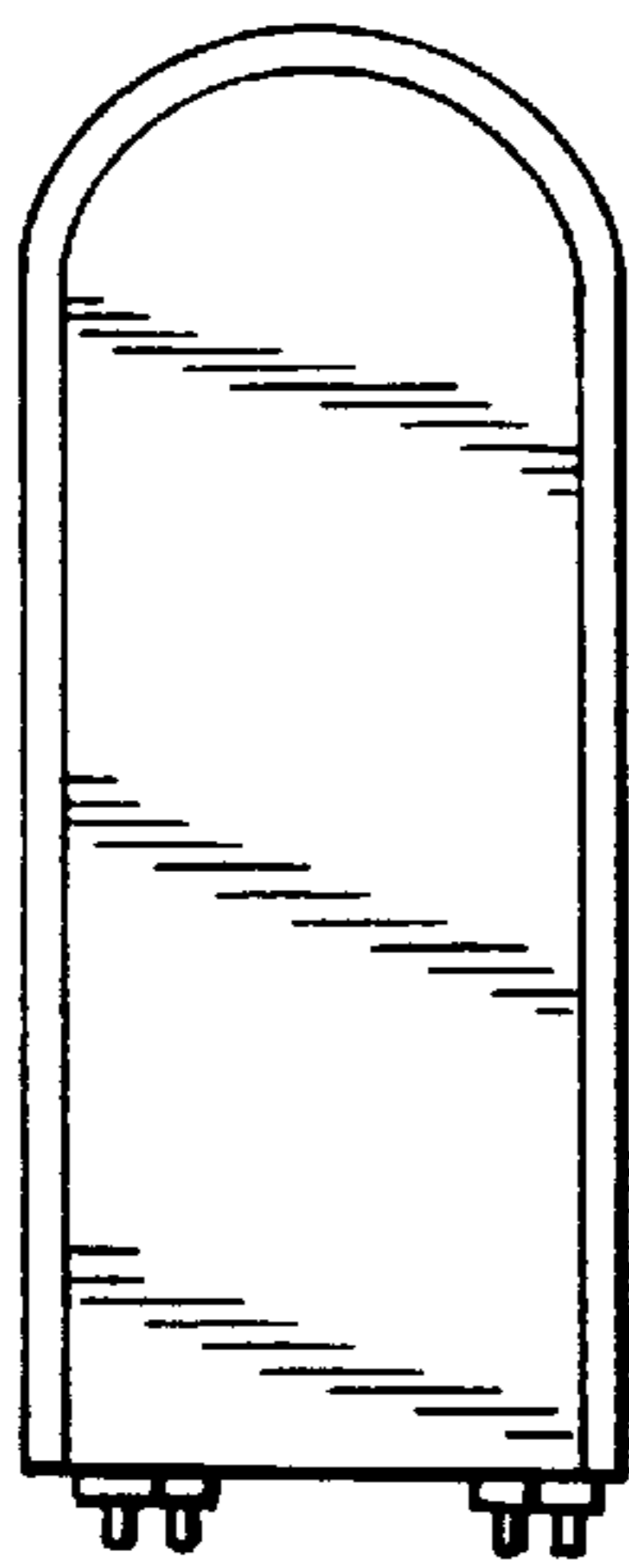


FIG. 3

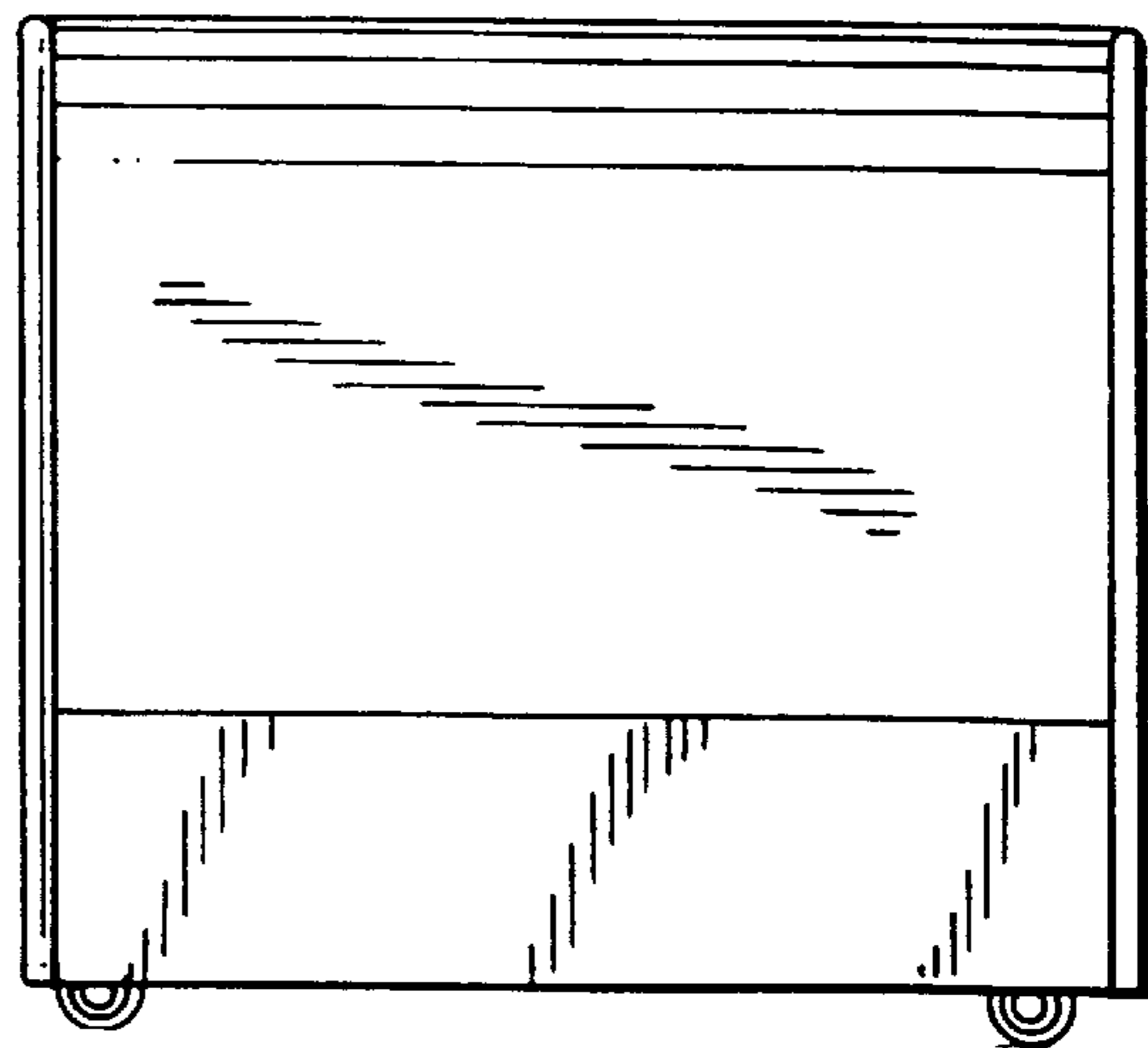


FIG. 4

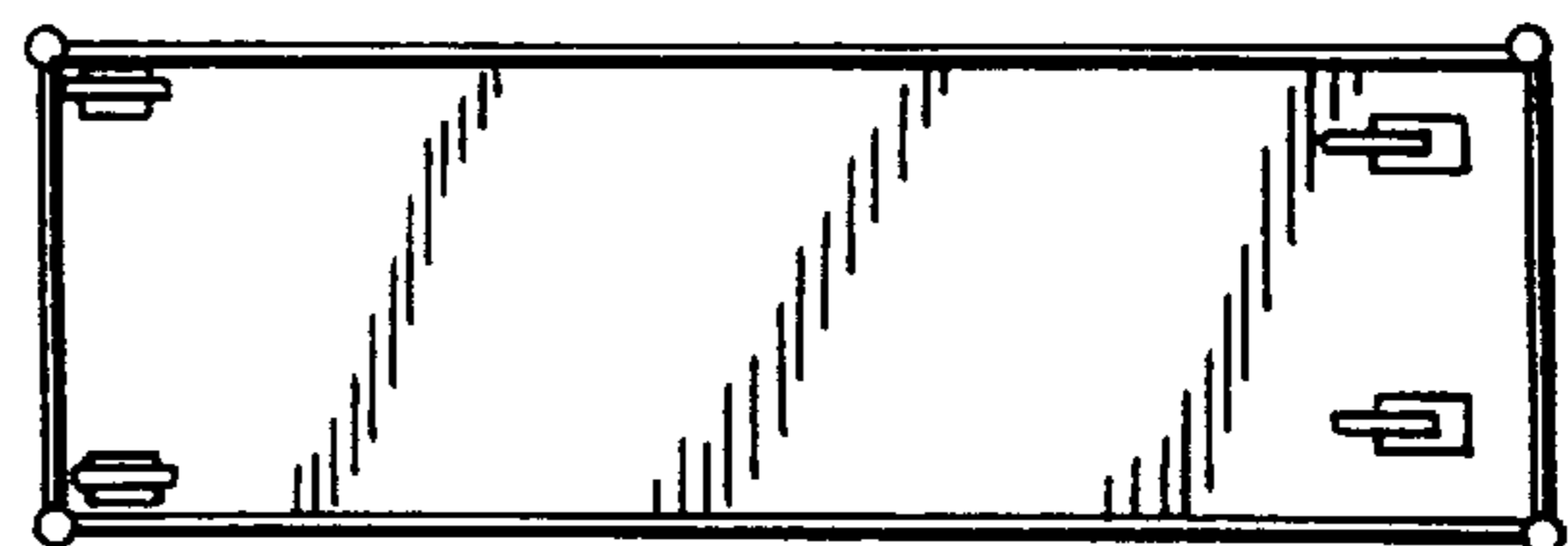


FIG. 5

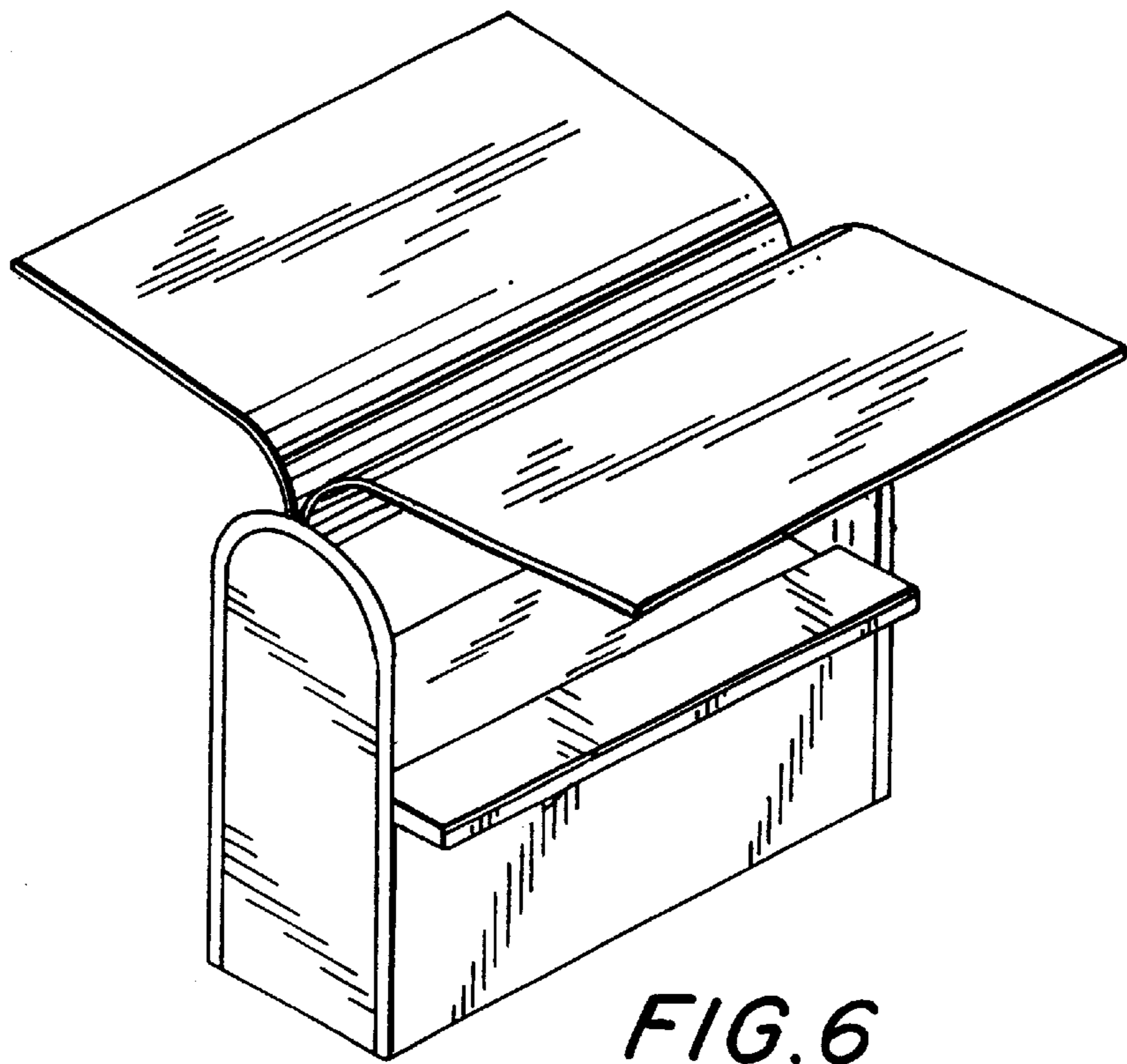


FIG. 6

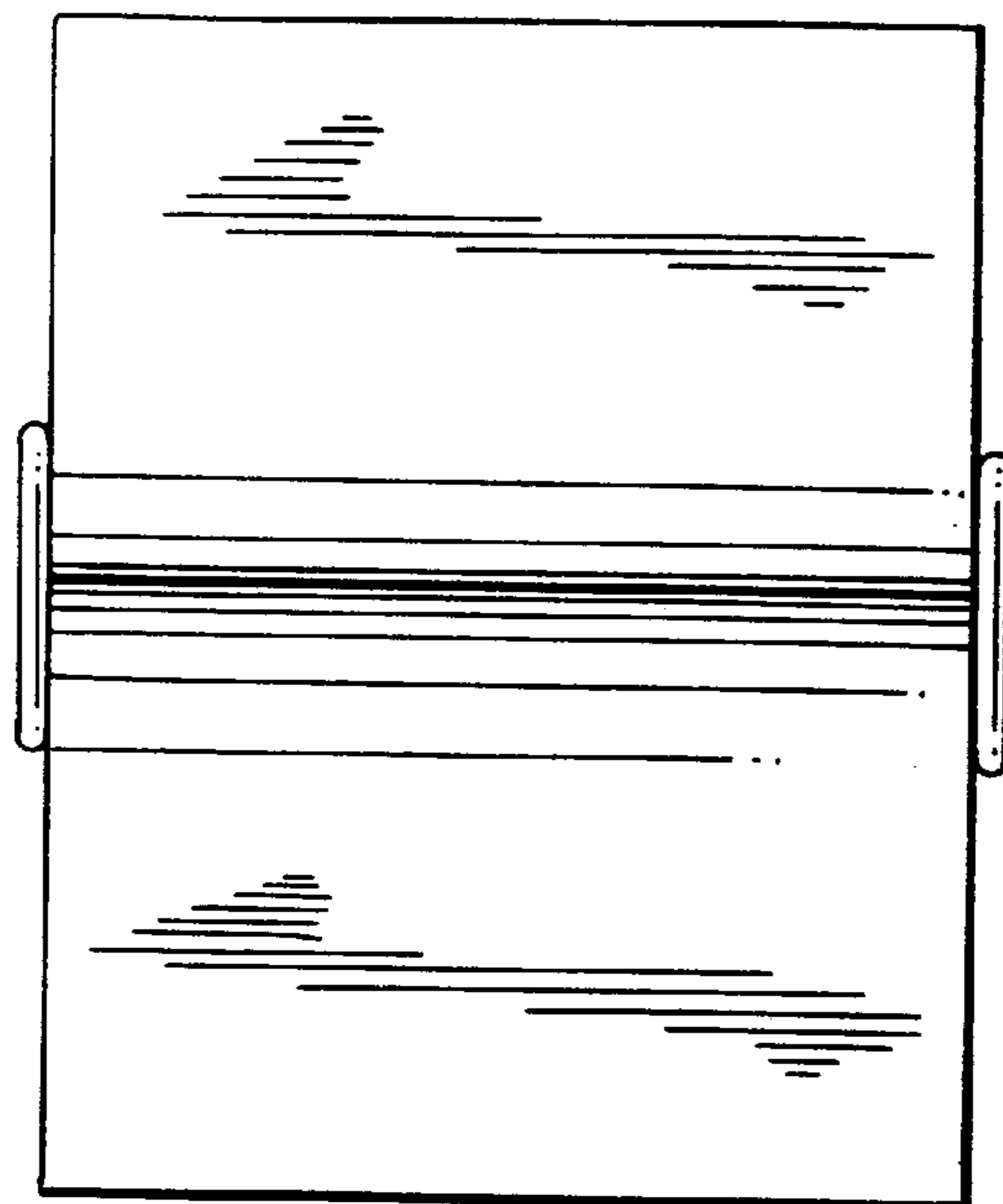


FIG. 7

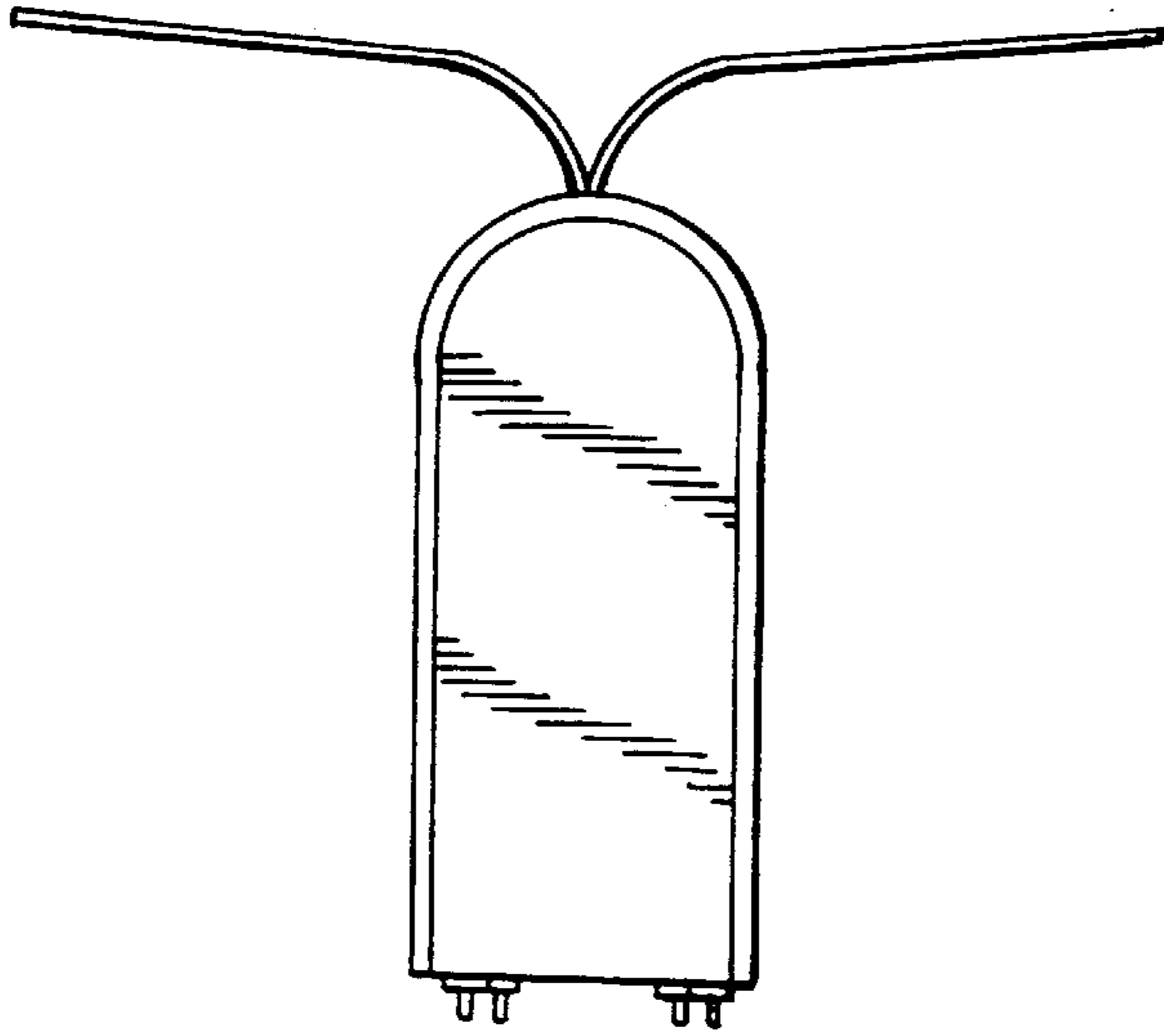


FIG. 8

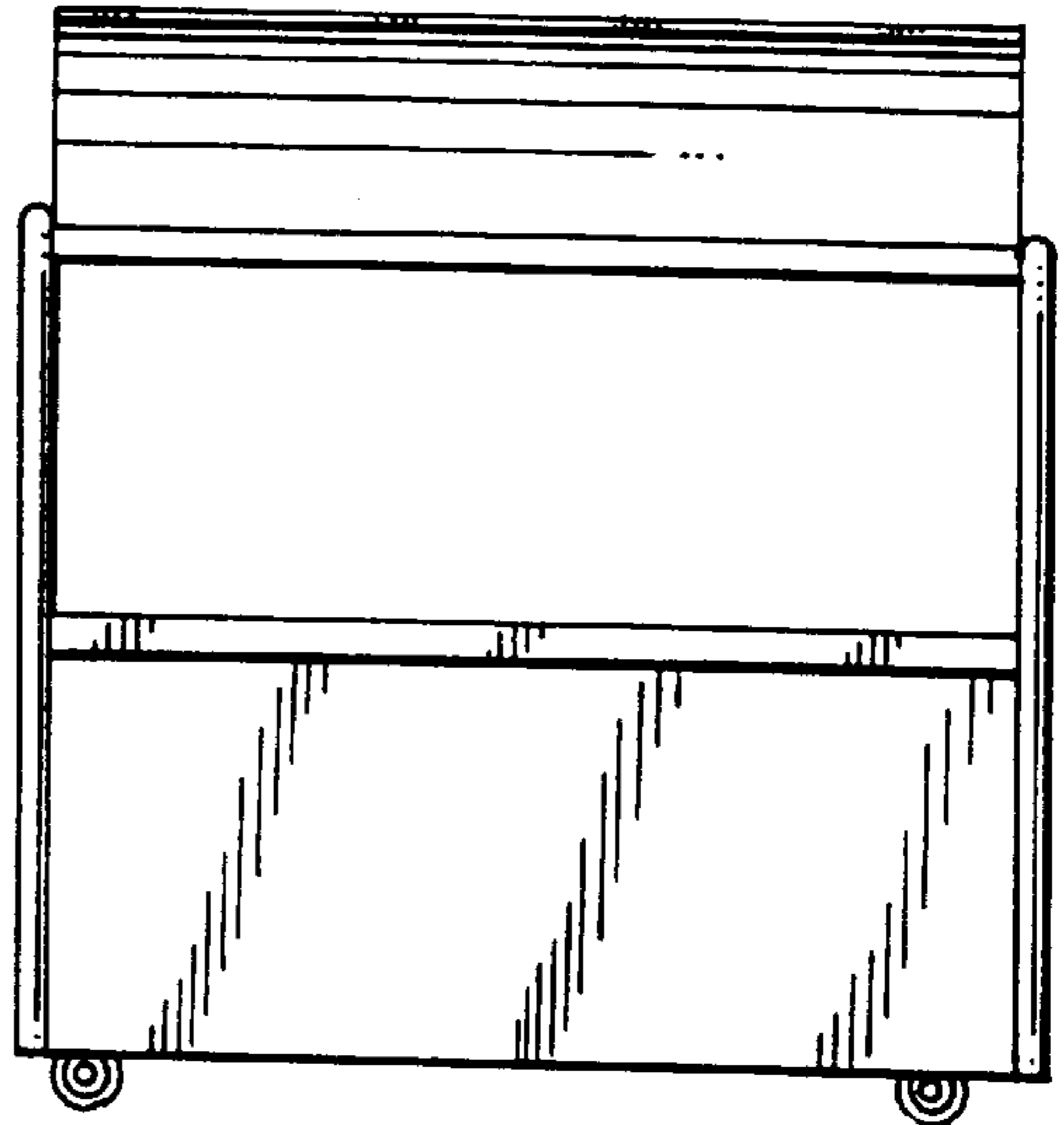


FIG. 9

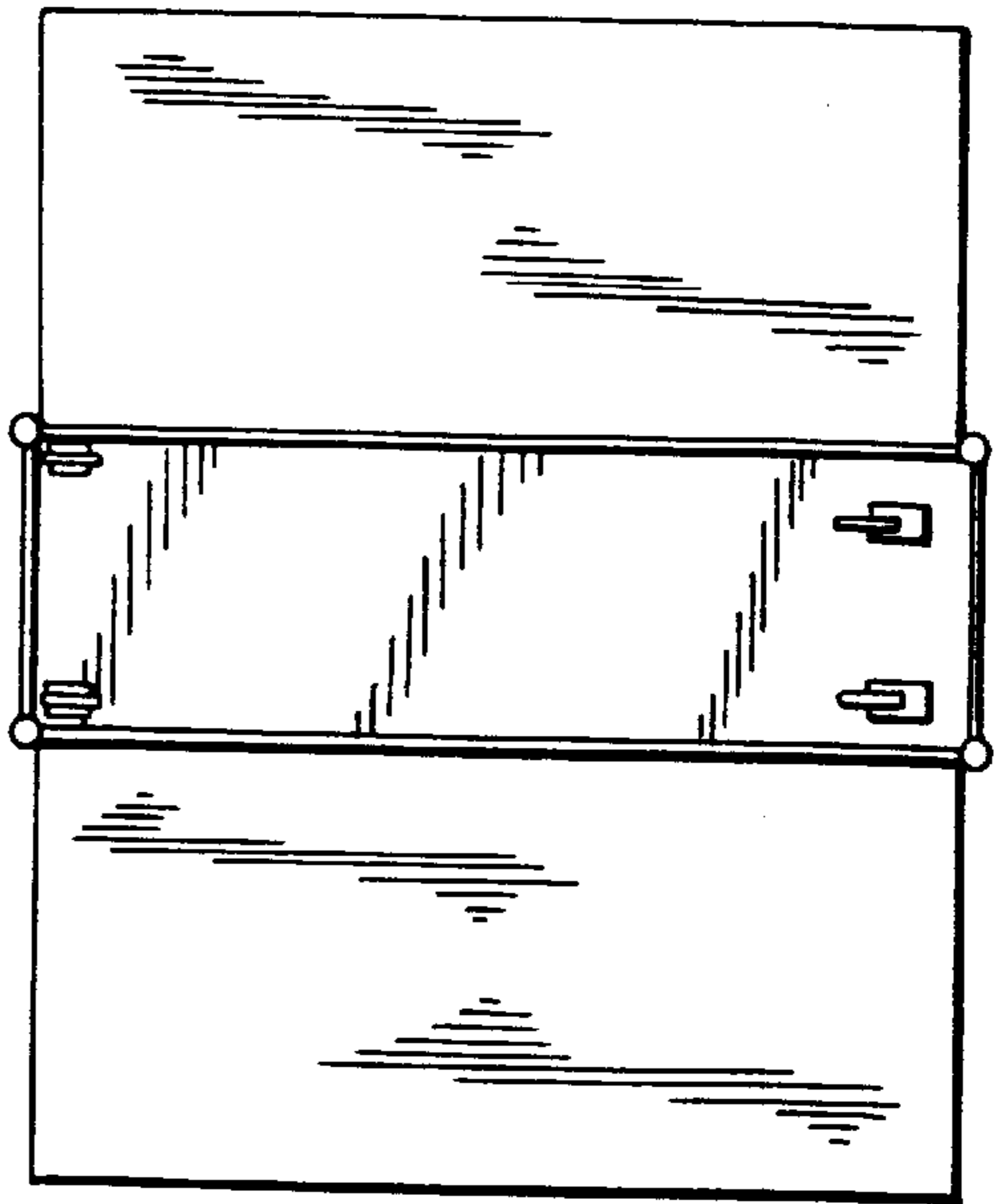


FIG. 10