



US00D447845B1

(12) **United States Design Patent**  
**Neil**

(10) **Patent No.:** **US D447,845 S**

(45) **Date of Patent:** **\*\* Sep. 11, 2001**

(54) **FLEXIBLE BAG SUPPORT**

(76) **Inventor:** **Jerry R. Neil, 1002 - 8th St.,  
Clarkston, WA (US) 99403**

(\*\*) **Term:** **14 Years**

(21) **Appl. No.:** **29/131,196**

(22) **Filed:** **Oct. 16, 2000**

(51) **LOC (7) Cl.** ..... **09-09**

(52) **U.S. Cl.** ..... **D34/6**

(58) **Field of Search** ..... D34/5, 6, 1; 248/95,  
248/96, 97, 100, 101, 99; 220/908, 403

(56) **References Cited**

**U.S. PATENT DOCUMENTS**

D. 299,575	*	1/1989	DiFrank	.....	D34/6
D. 308,271	*	5/1990	Vreeken	.....	D34/6
D. 325,798	*	4/1992	Nontrose et al.	.....	D34/5
D. 389,632	*	1/1998	Redding	.....	D34/6
D. 422,391	*	4/2000	Whitlock	.....	D34/6
D. 437,668	*	2/2001	Sanka	.....	D34/5
558,531		4/1896	Tarr	.	
3,352,520	*	11/1967	Bumgarner et al.	.....	248/95
3,373,963	*	3/1968	Snell	.....	248/95
3,388,882	*	6/1968	Burroughs et al.	.....	248/95
4,174,085		11/1979	Ferreira et al.	.....	248/97
4,705,246		11/1987	Wolf	.....	248/97

4,896,853	1/1990	Nyzen	.....	248/97	
5,411,229	5/1995	Hoefkes	.....	248/97	
5,711,498	1/1998	Wittlinger et al.	.....	248/97	
6,076,782	*	6/2000	Alderman	.....	248/97

\* cited by examiner

*Primary Examiner*—Cynthia E. Ramirez

(74) *Attorney, Agent, or Firm*—Keith S. Bergman

(57) **CLAIM**

The ornamental design for flexible bag support, as shown and described.

**DESCRIPTION**

FIG. 1 is an isometric view of design for flexible bag holder with a flexible bag shown in dashed outline supported thereon that constitutes no part of the design.

FIG. 2 is a bottom view thereof;

FIG. 3 is a top view thereof;

FIG. 4 is a right side view thereof;

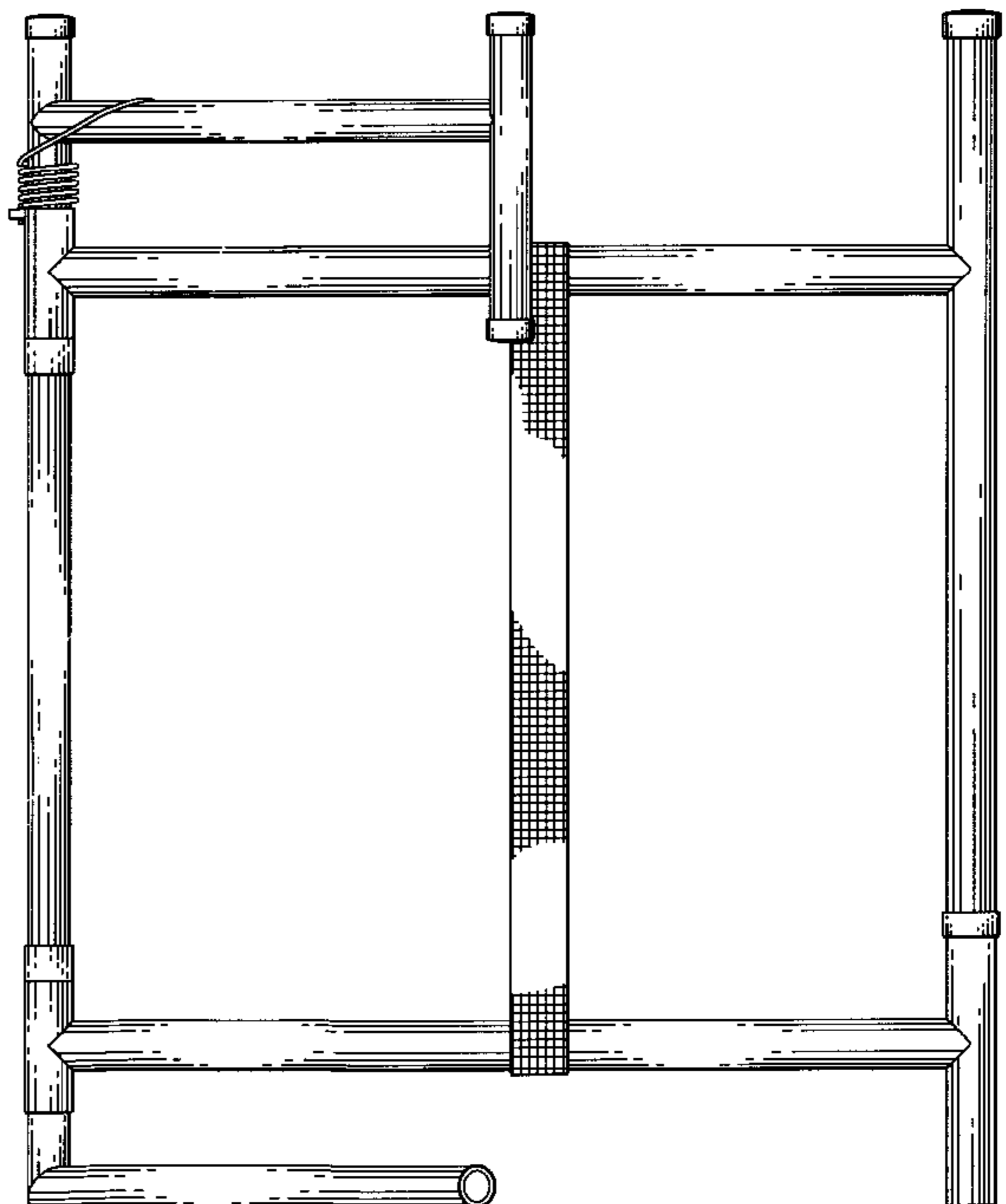
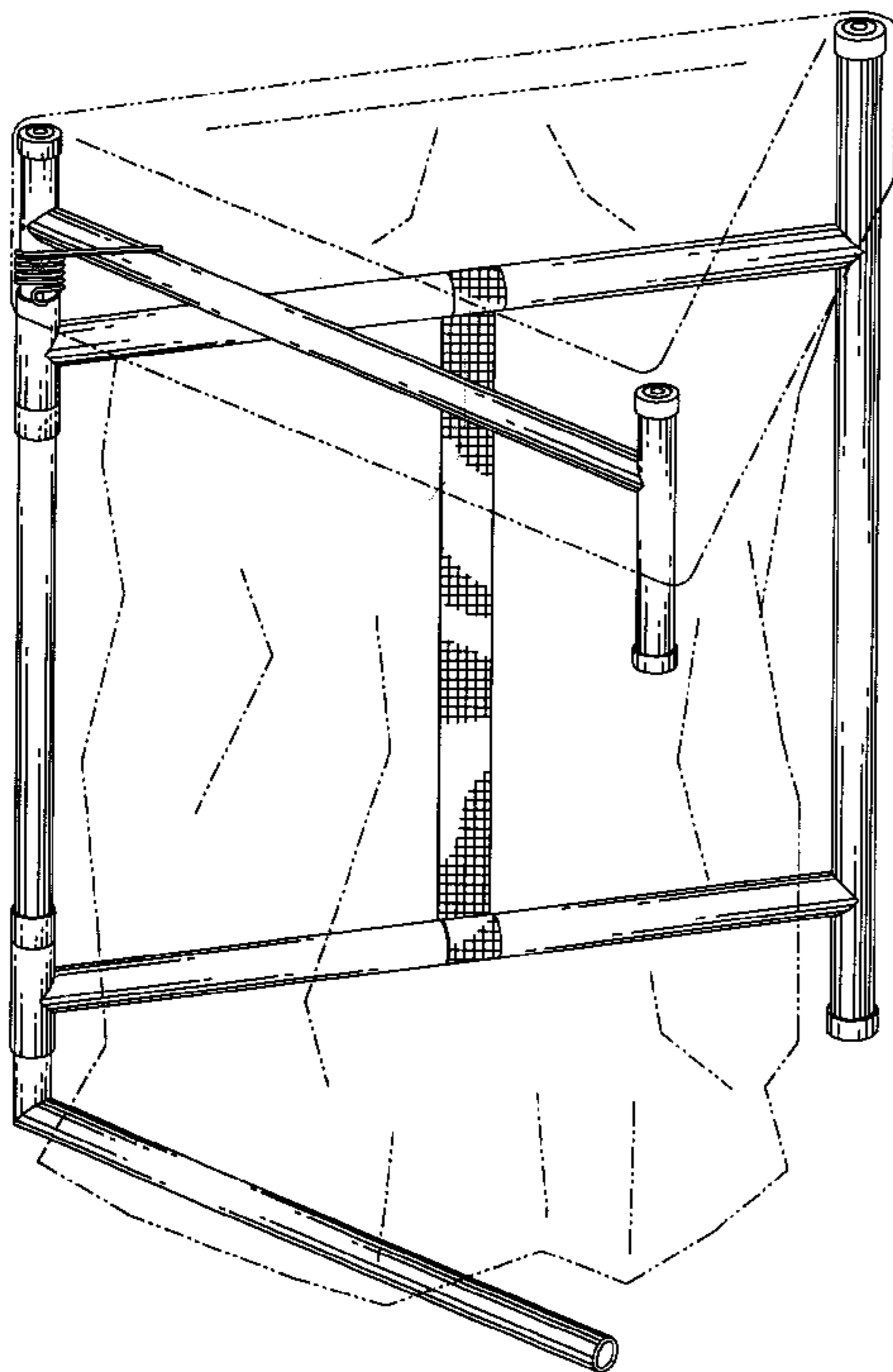
FIG. 5 is a left side view thereof;

FIG. 6 is a front view thereof; and,

FIG. 7 is a back view thereof.

The cross hatching shading in FIGS. 1-3, 6 and 7 is fragmentarily shown for purposes of illustration, it being understood that the cross hatching shading is uniformly continued over the surface on which it appears.

**1 Claim, 3 Drawing Sheets**



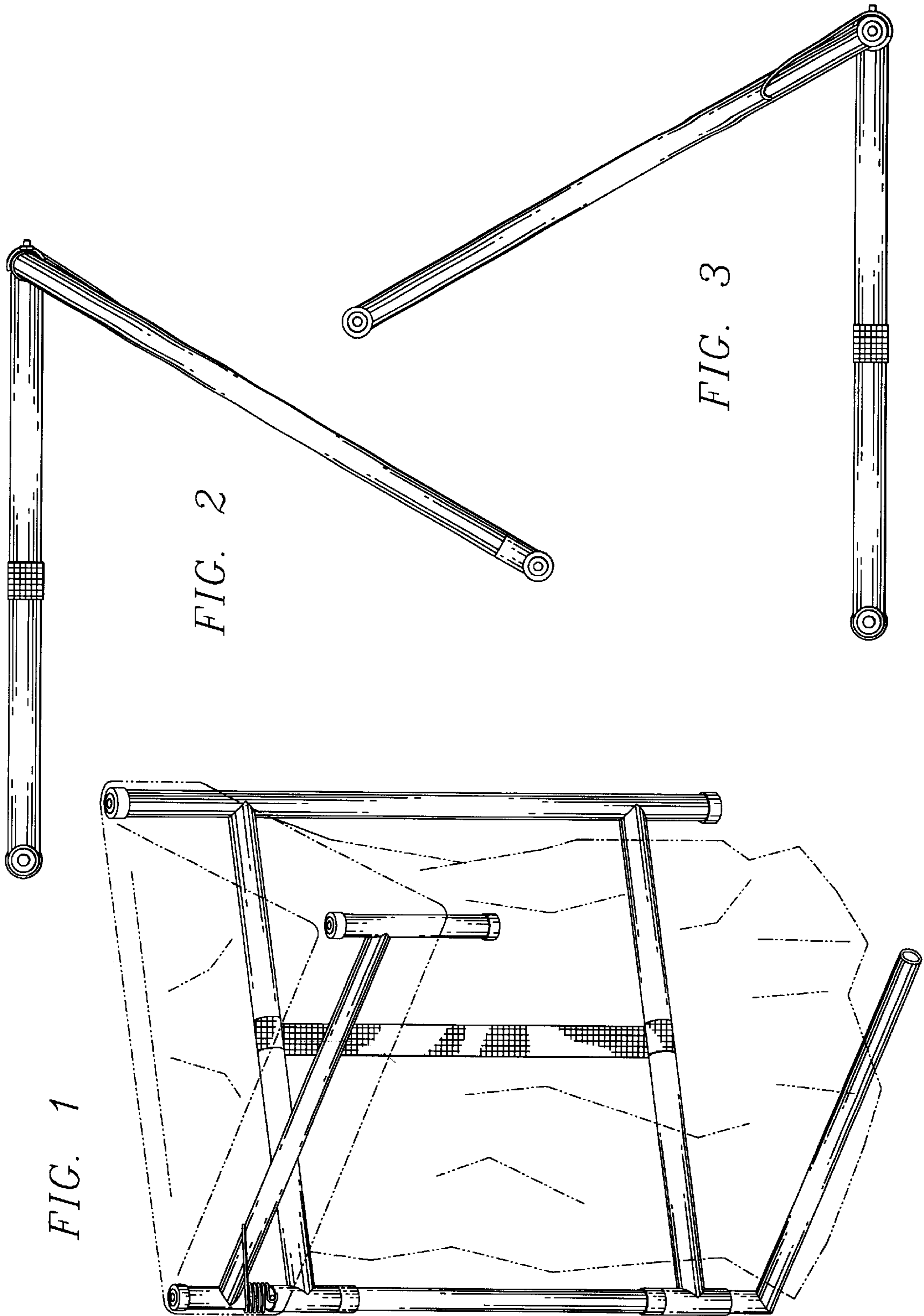


FIG. 1

FIG. 2

FIG. 3

FIG-5



FIG. 4

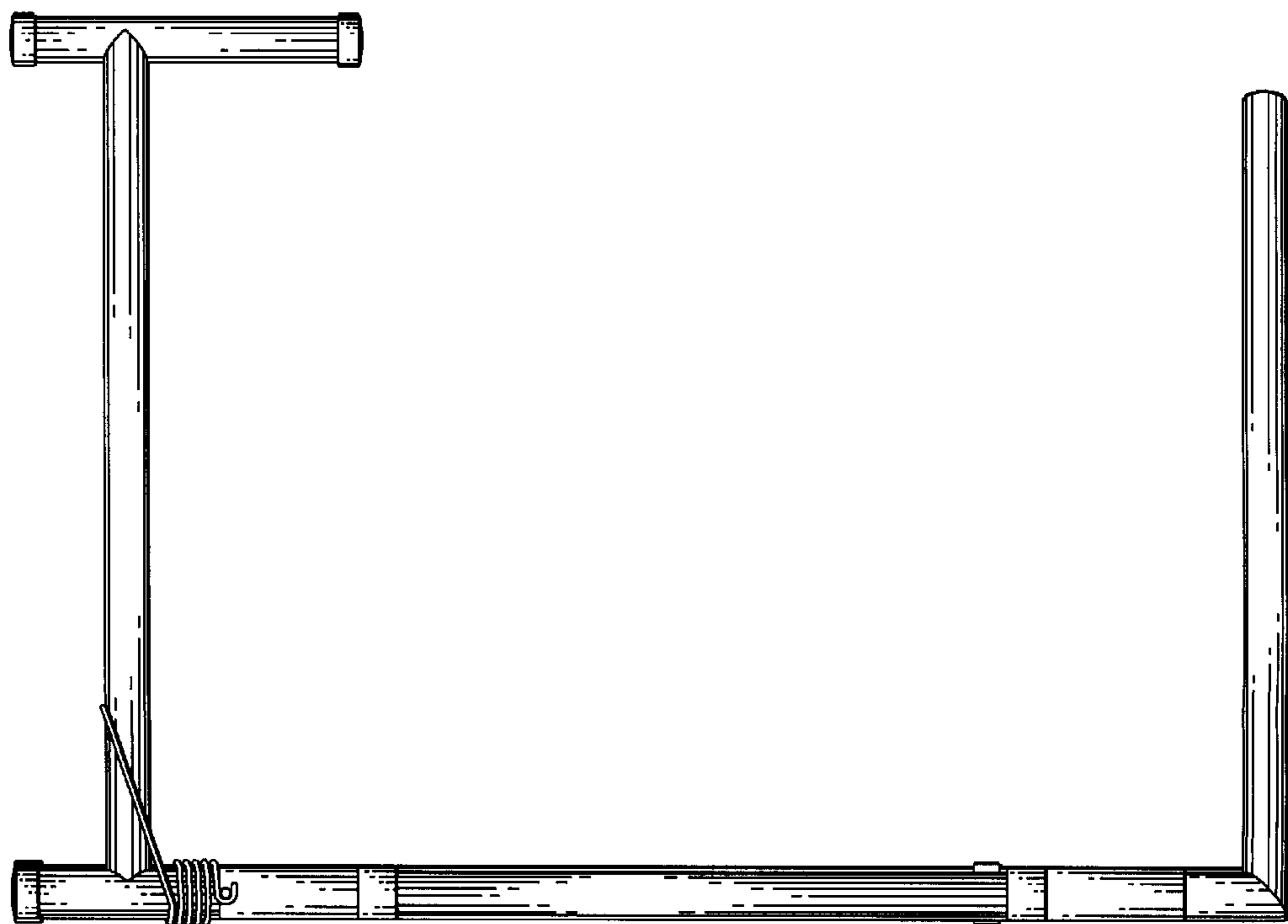


FIG. 7

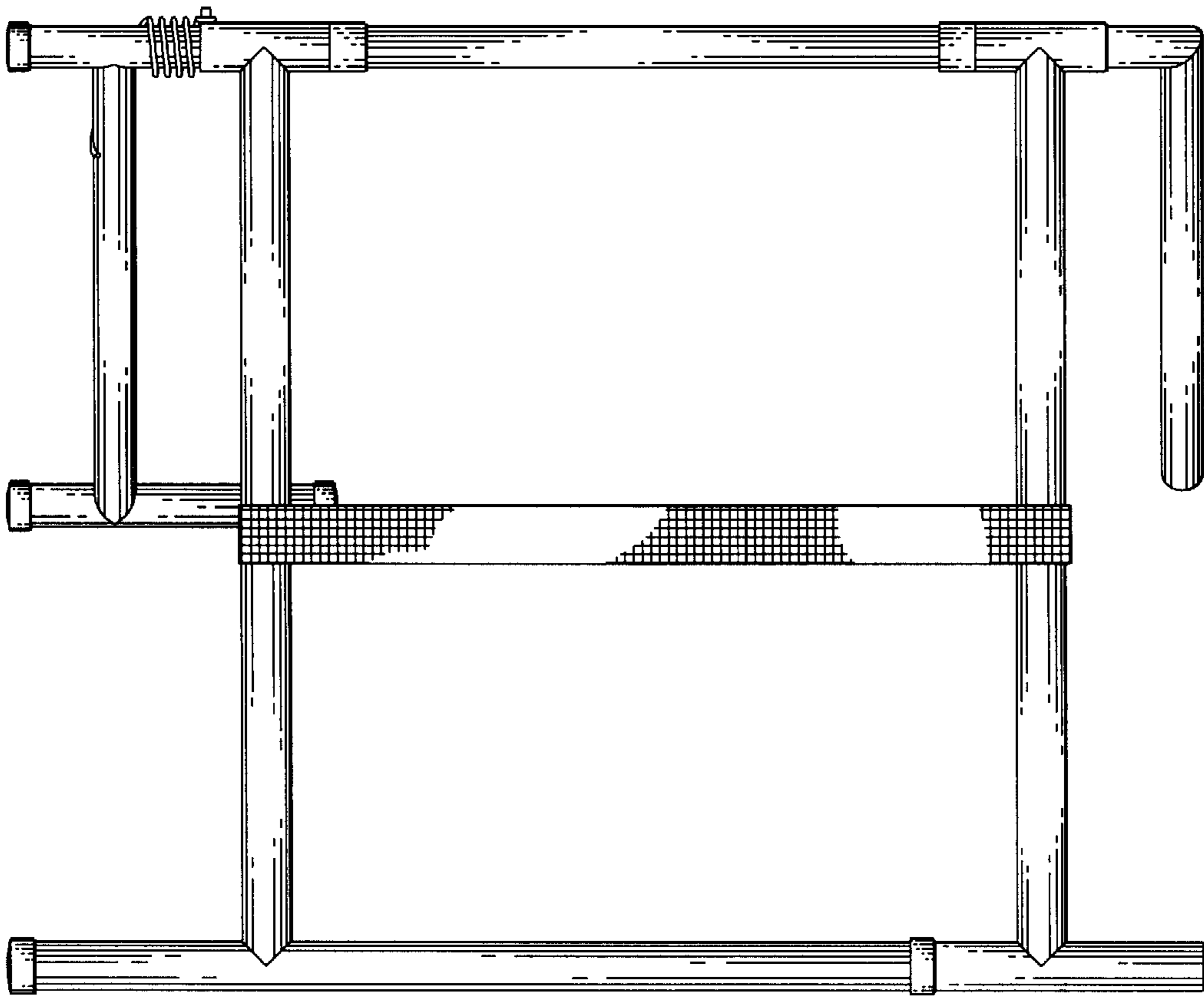


FIG. 6

