



US00D447843B1

(12) **United States Design Patent**  
**Griffin**

(10) **Patent No.:** **US D447,843 S**

(45) **Date of Patent:** **\*\* Sep. 11, 2001**

(54) **VACUUM CLEANER**

(75) **Inventor:** **John Griffin, Phoenix, AZ (US)**

(73) **Assignee:** **Shop Vac Corporation, Williamsport, PA (US)**

(\*\*) **Term:** **14 Years**

(21) **Appl. No.:** **29/125,069**

(22) **Filed:** **Jun. 15, 2000**

(51) **LOC (7) Cl.** ..... **15-05**

(52) **U.S. Cl.** ..... **D32/23**

(58) **Field of Search** ..... D32/21, 23-25,  
D32/31; 15/323, 325, 327.1, 327.2, 327.6,  
327.7, 320, 412

(56) **References Cited**

**U.S. PATENT DOCUMENTS**

D. 287,171	12/1986	Berfield et al.	32/25
D. 315,624	3/1991	Kimura et al.	32/23
D. 357,336	4/1995	Moine et al.	32/23
D. 357,773	4/1995	Wareham et al.	32/23
D. 358,010	5/1995	Berfield et al.	32/23
D. 361,179	8/1995	Moine et al.	32/23
D. 362,091	9/1995	Tomasiak et al.	32/23
D. 372,567	8/1996	Moine et al.	32/23
D. 373,862	9/1996	Stephens et al.	32/23
D. 383,575	9/1997	Griffin	32/23
D. 384,448	9/1997	Stephens et al.	32/23
D. 388,565	12/1997	Pietrobon	32/23
D. 389,962	1/1998	Berfield et al.	32/23
D. 395,119	6/1998	Berfield et al.	34/23
D. 422,764 *	4/2000	Wood	D32/31
D. 426,355 *	6/2000	Rohn et al.	D32/21
D. 426,359 *	6/2000	Griffin et al.	D32/31
D. 429,042	8/2000	Griffin et al.	32/23
D. 429,855	8/2000	Griffin	32/23
D. 429,857	8/2000	Griffin	32/23
D. 430,367	8/2000	Griffin	32/23
D. 430,713	9/2000	Griffin	32/23

D. 438,353 *	2/2001	Hoshino et al.	D32/23
D. 438,678 *	3/2001	Griffin	D32/21
D. 439,710 *	3/2001	Griffin	D32/31
2,920,337	1/1960	Smith	417/423.3
4,797,072	1/1989	Berfield et al.	417/423.3
4,836,753	6/1989	Berfield et al.	417/236
4,880,364	11/1989	Berfield	417/423.3
5,144,716	9/1992	Watanabe et al.	15/323
5,528,794 *	6/1996	Tomasiak	15/323
5,535,500 *	7/1996	Stephens et al.	29/453
5,606,769	3/1997	Tomasiak et al.	15/327.6
5,954,863 *	9/1999	Loveless et al.	96/321
6,055,700 *	5/2000	Holsten et al.	15/327.2

**OTHER PUBLICATIONS**

U.S. application No. 29/097,455, Griffin, J., filed Dec. 7, 1998.

U.S. application No. 29/097,456, Griffin, J., filed Dec. 7, 1998.

U.S. application No. 29/115,795, Griffin, J., filed Dec. 20, 1999.

(List continued on next page.)

*Primary Examiner*—Ruth McInroy

(74) *Attorney, Agent, or Firm*—Marshall, O'Toole, Gerstein, Murray & Borun

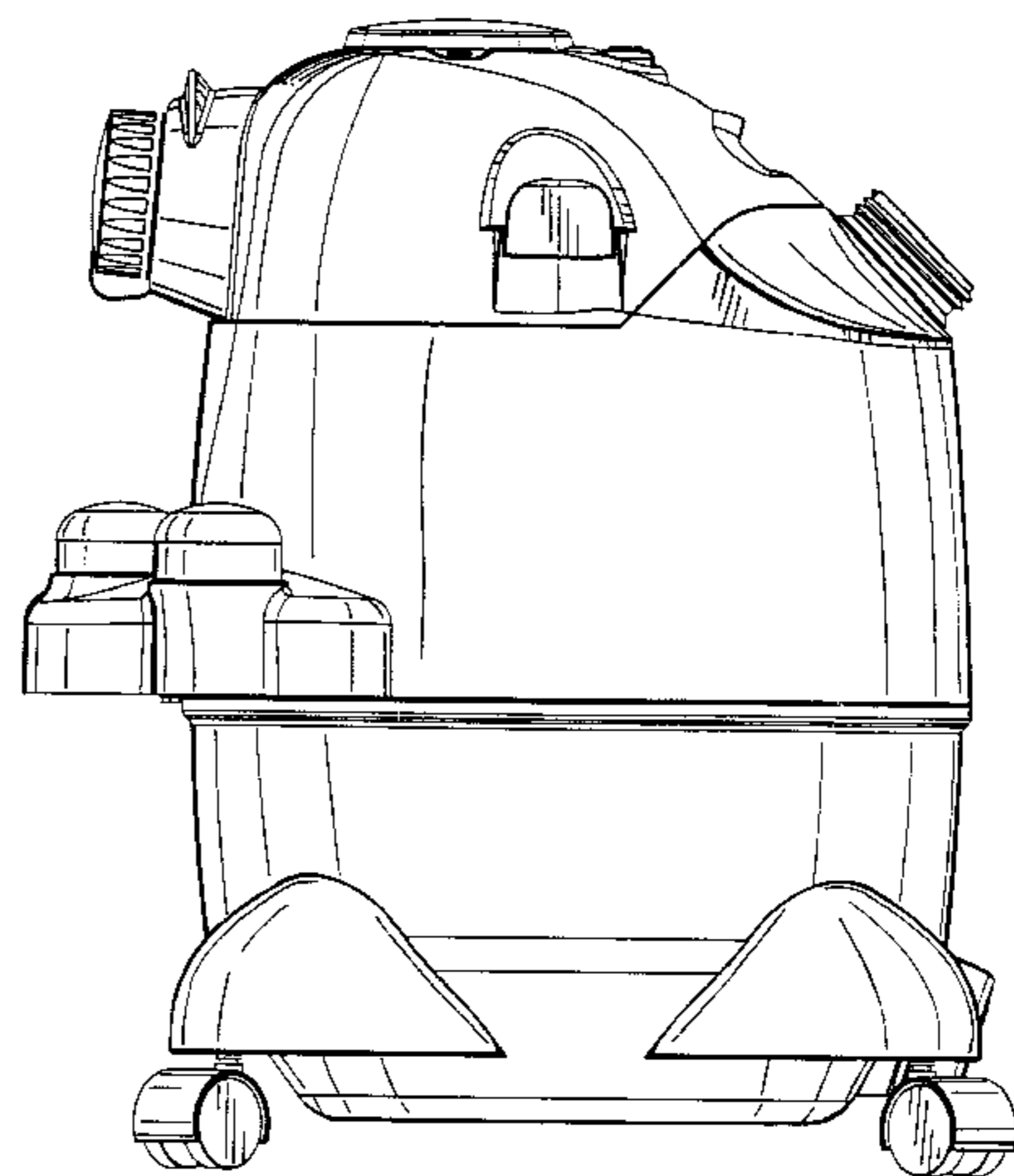
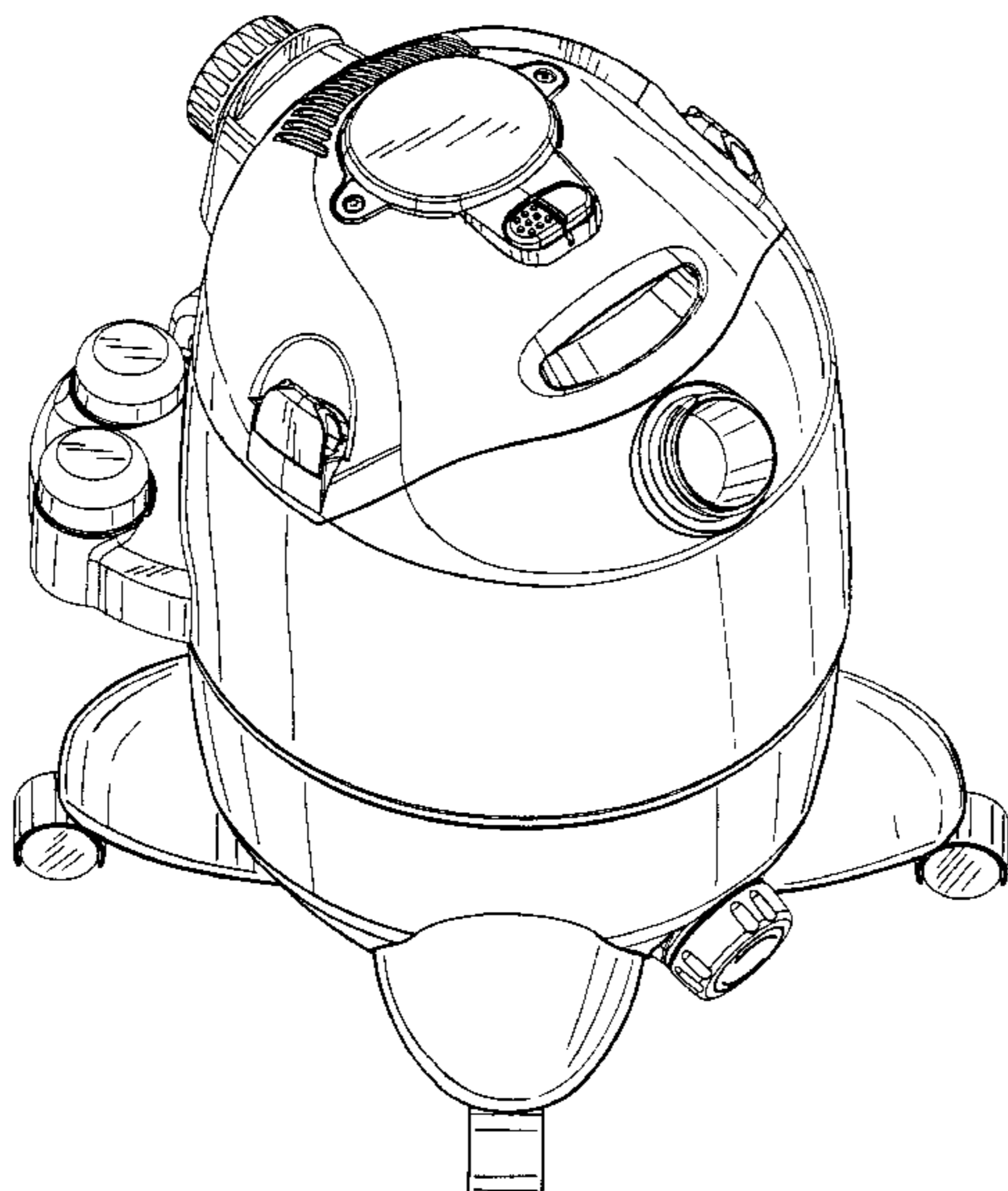
(57) **CLAIM**

The ornamental design for a vacuum cleaner, as shown and described.

**DESCRIPTION**

FIG. 1 is a right side perspective view taken from the front and above of a vacuum cleaner showing my new design; FIG. 2 is a front elevational view thereof; FIG. 3 is a left elevational view thereof; FIG. 4 is a right elevational view thereof; FIG. 5 is a rear elevational view thereof; and, FIG. 6 is a top plan view thereof.

**1 Claim, 6 Drawing Sheets**



OTHER PUBLICATIONS

U.S. application No. 29/115,796, Griffin, J., filed Dec. 20, 1999.

U.S. application No. 29/115,798, Griffin, J., filed Dec. 20, 1999.

U.S. application No. 29/115,841, Griffin, J., filed Dec. 20, 1999.

U.S. application No. 29/125,068, Griffin, J., filed Jun. 15, 2000.

U.S. application No. 29/125,070, Griffin, J., filed Jun. 15, 2000.

U.S. application No. 29/125,071, Griffin, J., filed Jun. 15, 2000.

U.S. application No. 29/125,072, Griffin, J., filed Jun. 15, 2000.

U.S. application No. 29/128,121, Griffin, J., filed Aug. 18, 2000.

Shop-Vac Brochure, QSP Series—Quiet Super Power Wet/Dry Vacs, Model Nos. 900-80 thru 900-84, dated Aug. 1993.

Shop-Vac Brochure, 707 Series Super Performance Wet/Dry Vacs, Model No. 707-10, dated Mar. 1991.

Shop-Vac Brochure, QSP Series—Quiet Super Power Wet/Dry Vacs, Models 900-86 and 900-87, dated Aug. 1993.

Shop-Vac Brochure, QSP Series—Quiet Super Power Wet/Dry Vacs, Model No. 900-29, dated Aug. 1993.

Shop-Vac Brochure, Series 914—Quiet Super Performance Wet/Dry Vacs, Model Nos. 914-15 and 914-27, dated Apr. 1997.

Shop-Vac Brochure, Floormaster, Wet & Dry Cleaning System, Model No. 909-50, dated Jan. 1989.

Shop-Vac Brochure, The QSP Line of Wet/Dry Vacs from Shop Vac, dated 1994.

Shop-Vac Brochure, All Around Vac, dated 1997.

Shop-Vac Brochure, QSP Pro, dated 1998.

Shop-Vac Brochure, QPV, dated 1997.

Shop-Vac Brochure, 1X1 Wet/Dry Vac, dated 1997.

Karcher Brochure, High Performance Wet and Dry Vacuums, Dust Extraction and Spray Extraction Machines.

\* cited by examiner

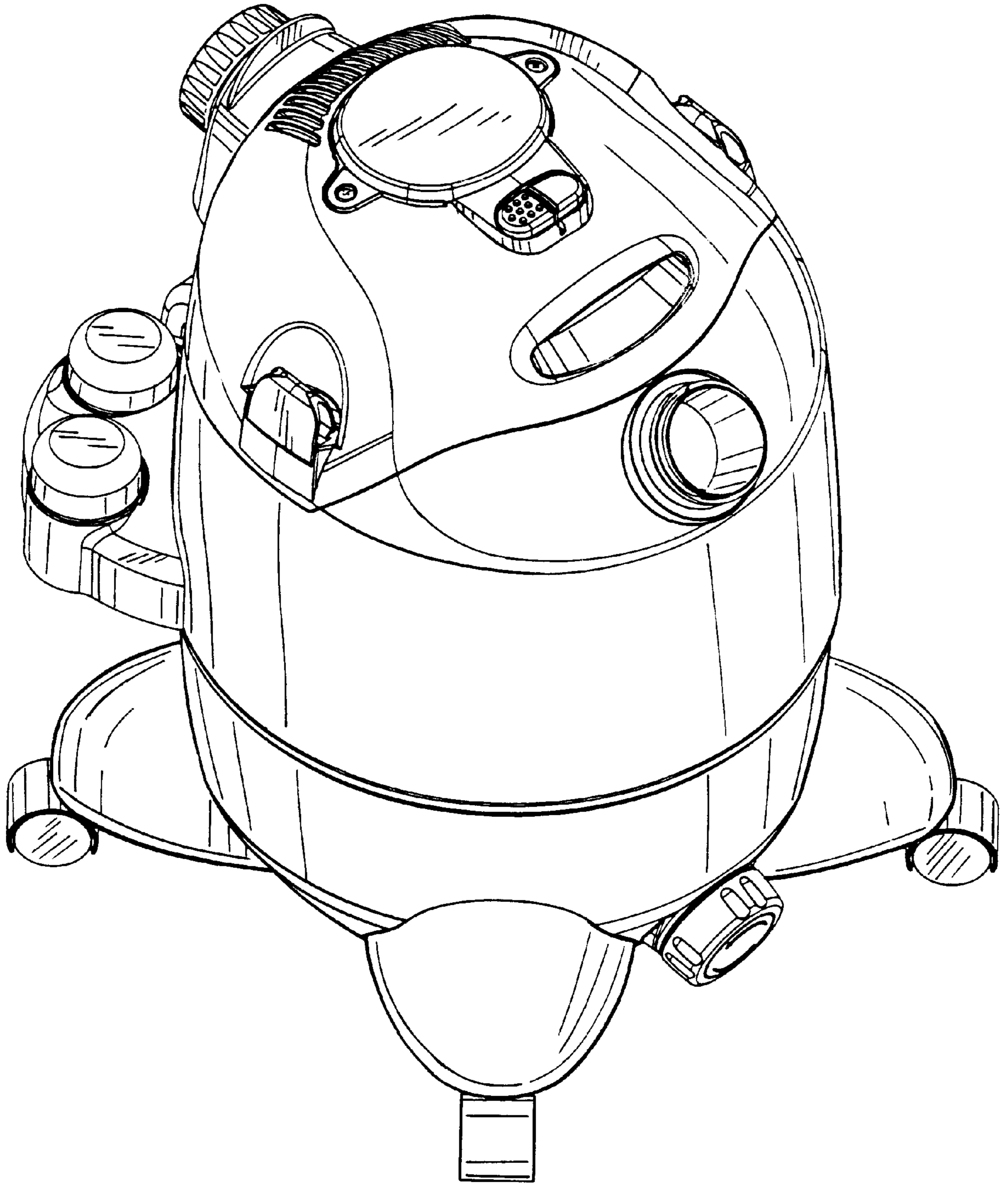


FIG. 1

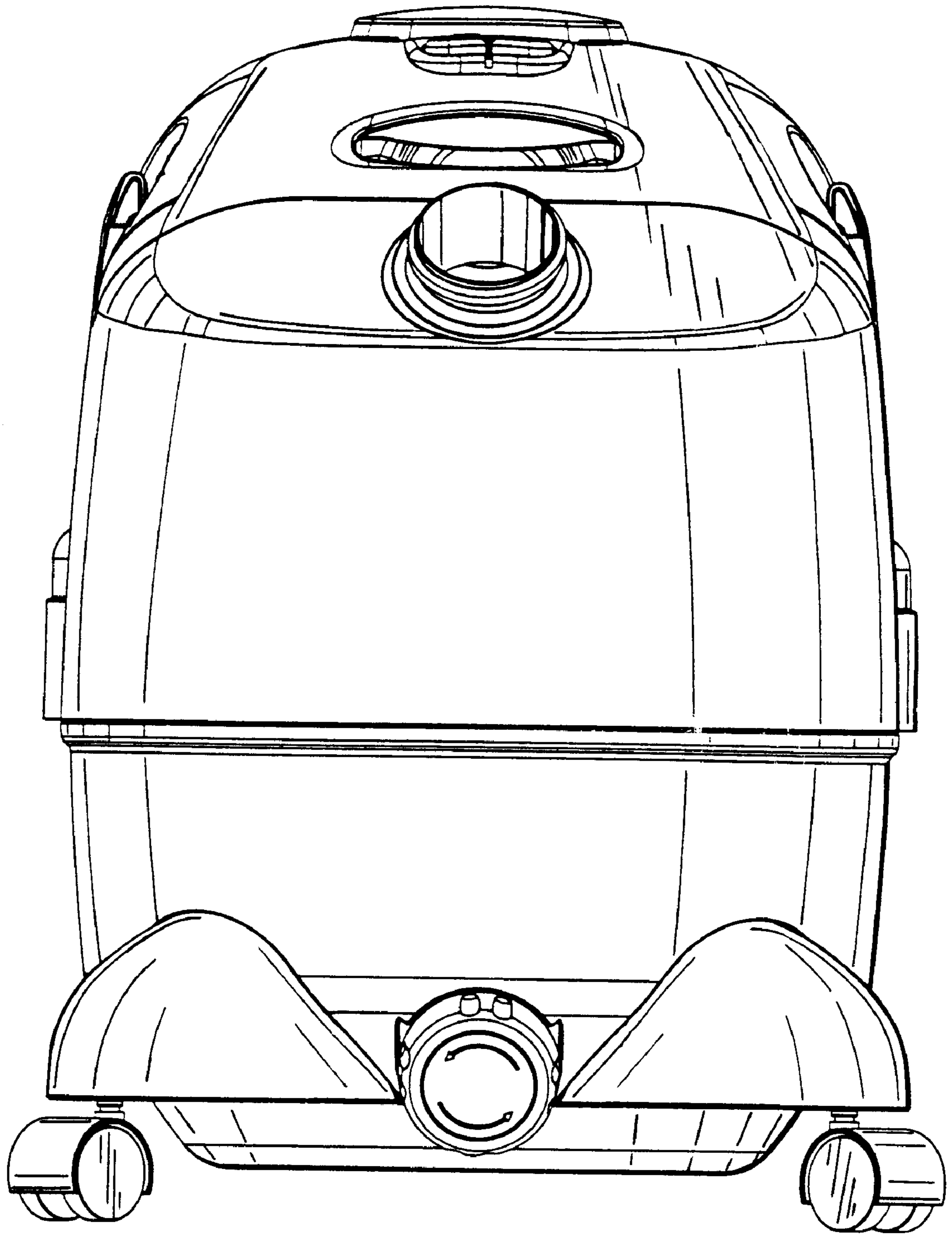


FIG. 2

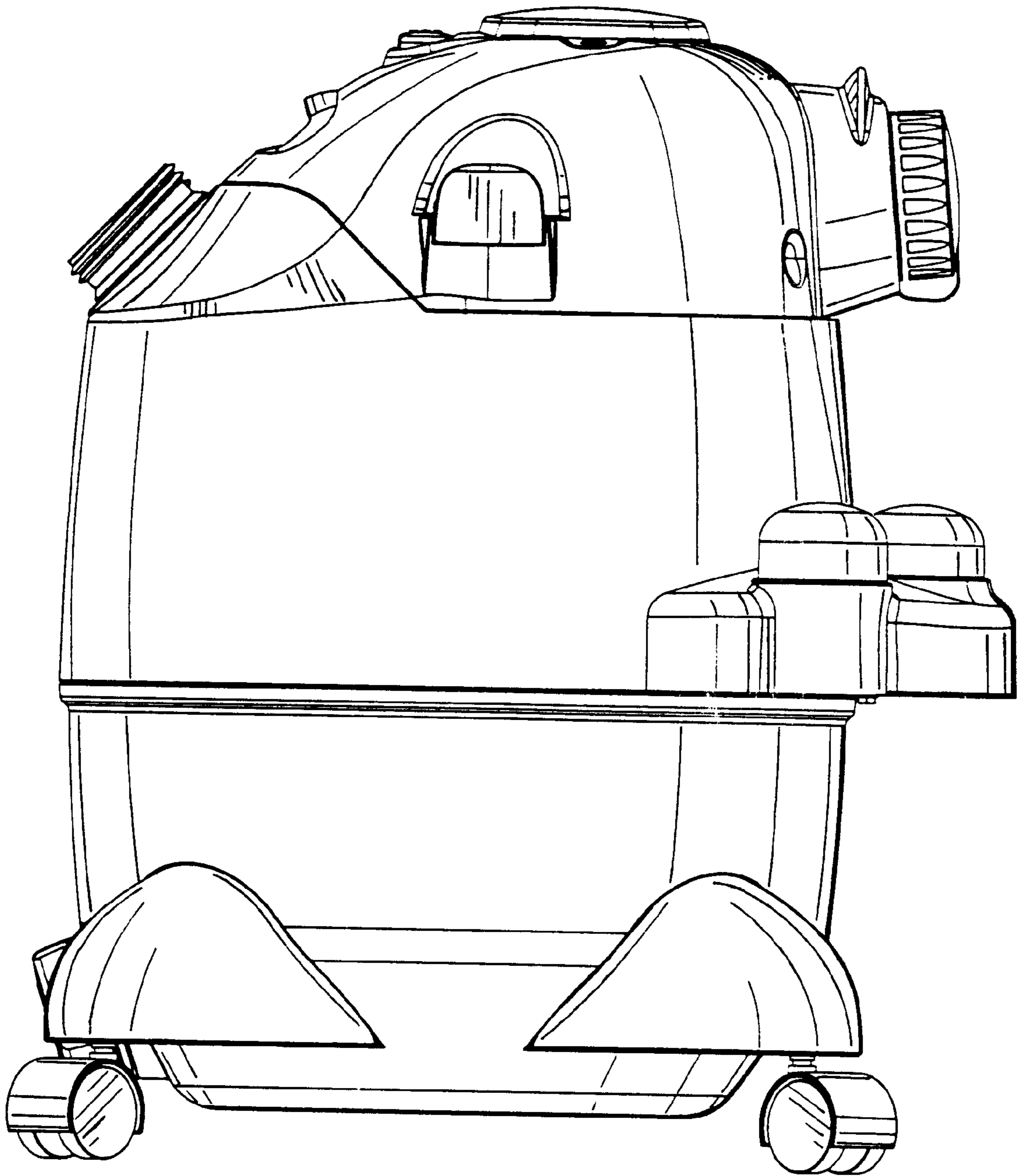


FIG. 3

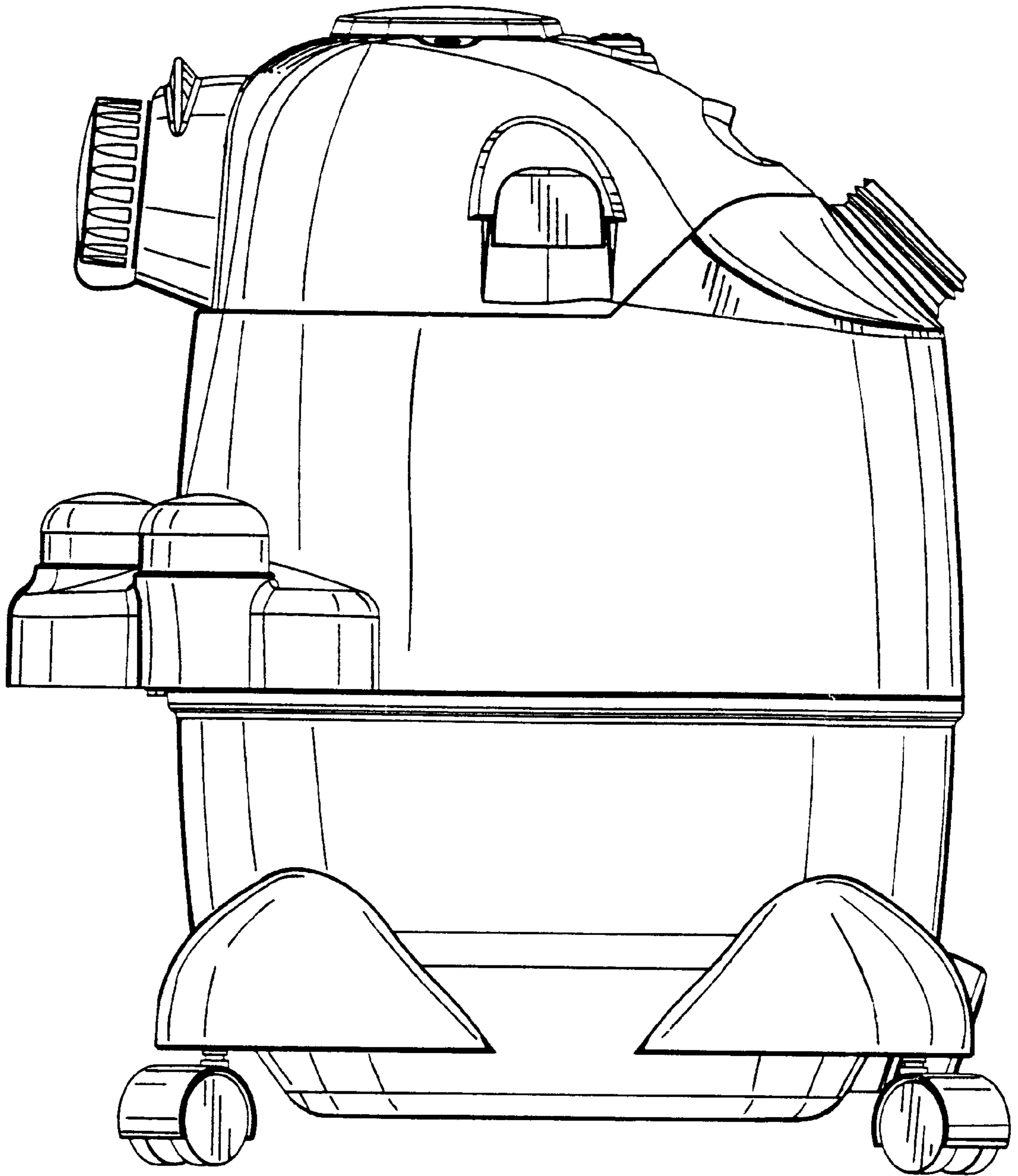


FIG. 4

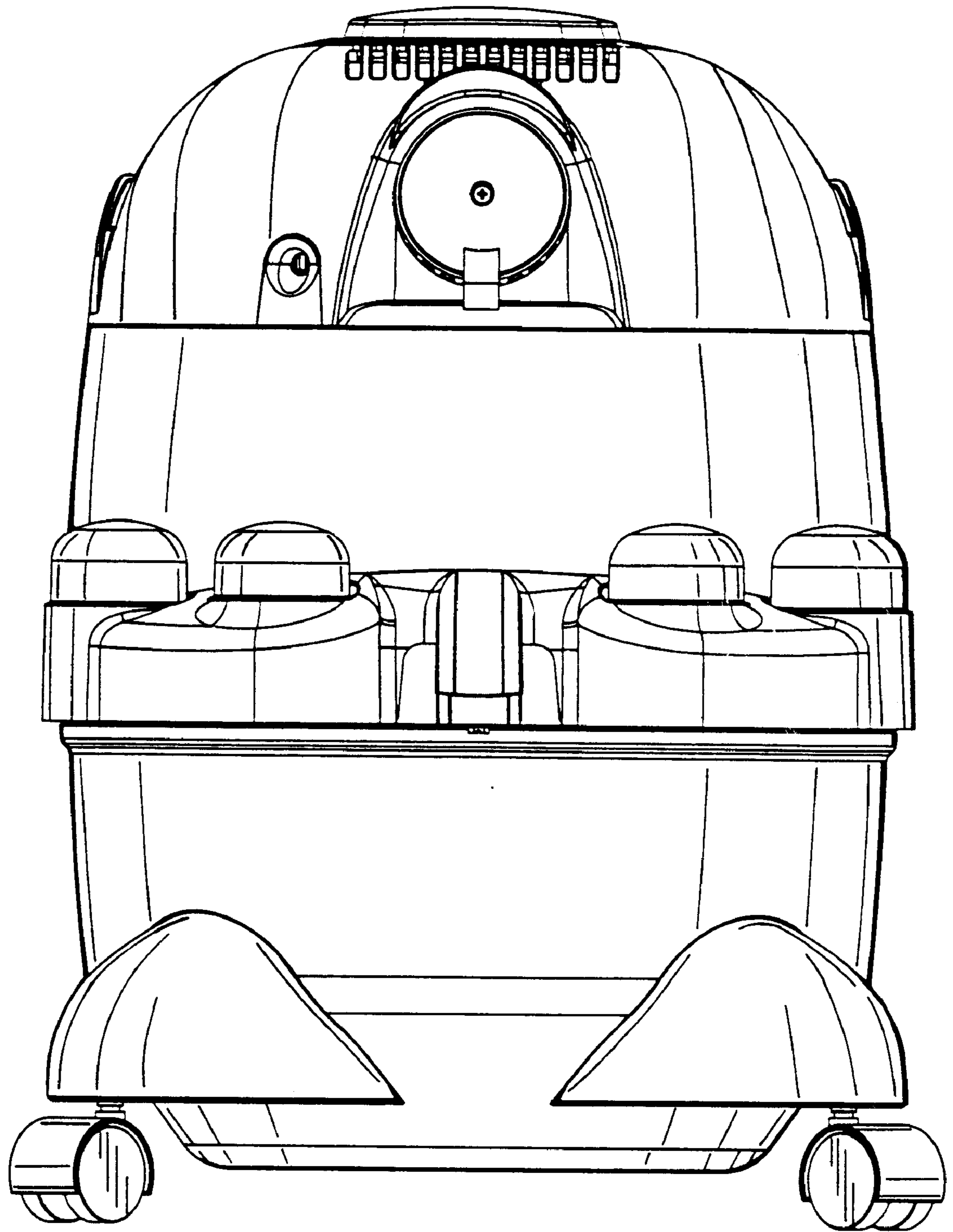


FIG. 5

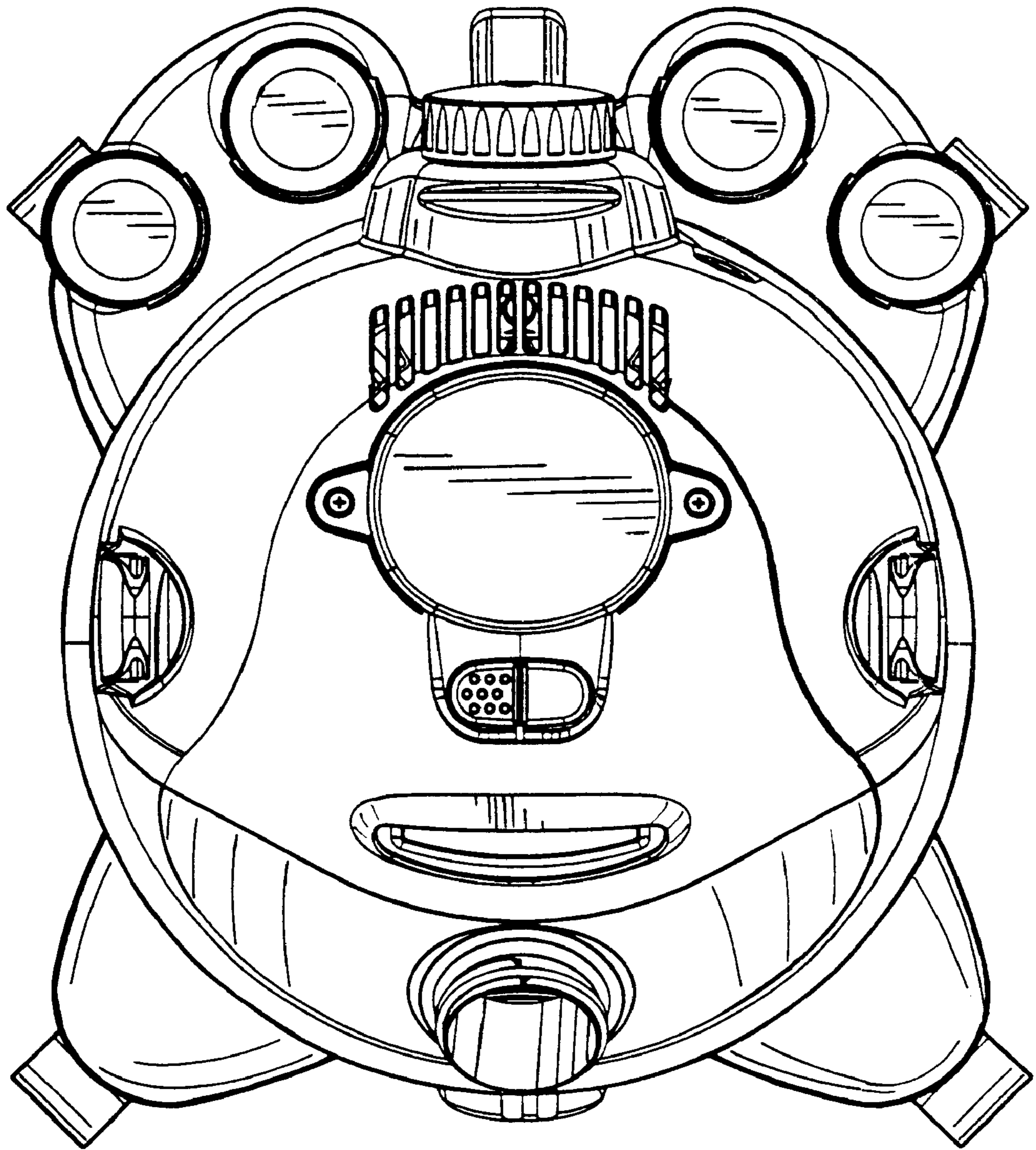


FIG. 6