



US00D447841B1

(12) **United States Design Patent**
Rosa

(10) **Patent No.:** **US D447,841 S**

(45) **Date of Patent:** **** Sep. 11, 2001**

(54) **STEAM DISTRIBUTING PISTOL**

D. 421,670 * 3/2000 Schupp D32/17

(75) Inventor: **Carlo Rosa, Lecco (IT)**

* cited by examiner

(73) Assignee: **Ariete S.p.A. (IT)**

Primary Examiner—Mitchell Siegel

(**) Term: **14 Years**

(74) *Attorney, Agent, or Firm*—Larson & Taylor, PLC

(21) Appl. No.: **29/115,707**

(57) **CLAIM**

(22) Filed: **Dec. 21, 1999**

The ornamental design for a steam distributing pistol, as shown and described.

(30) **Foreign Application Priority Data**

DESCRIPTION

Jun. 25, 1999 (IT) GE9900012

(51) **LOC (7) Cl.** **15-05**

FIG. 1 is a right-side elevational view of the steam distributing pistol according to my new design;

(52) **U.S. Cl.** **D32/17**

FIG. 2 is a left-side elevational view thereof;

(58) **Field of Search** D32/17, 25; D23/213, D23/223; 15/322, 320, 344, 339, 319; 68/222, 240

FIG. 3 is a front elevational view thereof;

FIG. 4 is a rear elevational view thereof;

FIG. 5 is a top plan view thereof; and,

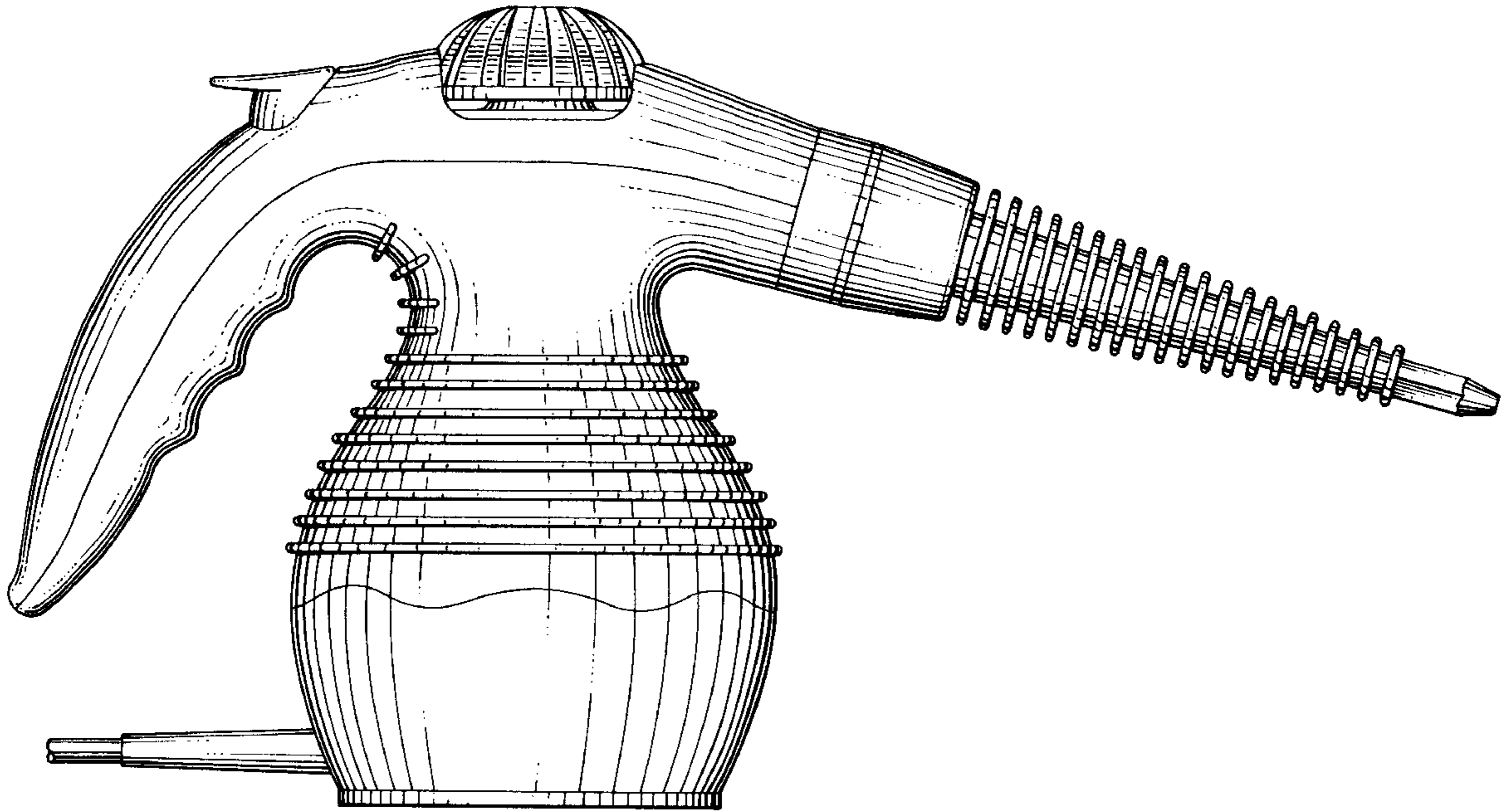
FIG. 6 is a bottom plan view thereof.

(56) **References Cited**

U.S. PATENT DOCUMENTS

D. 232,802 * 9/1974 Steinkamp D32/17

1 Claim, 6 Drawing Sheets



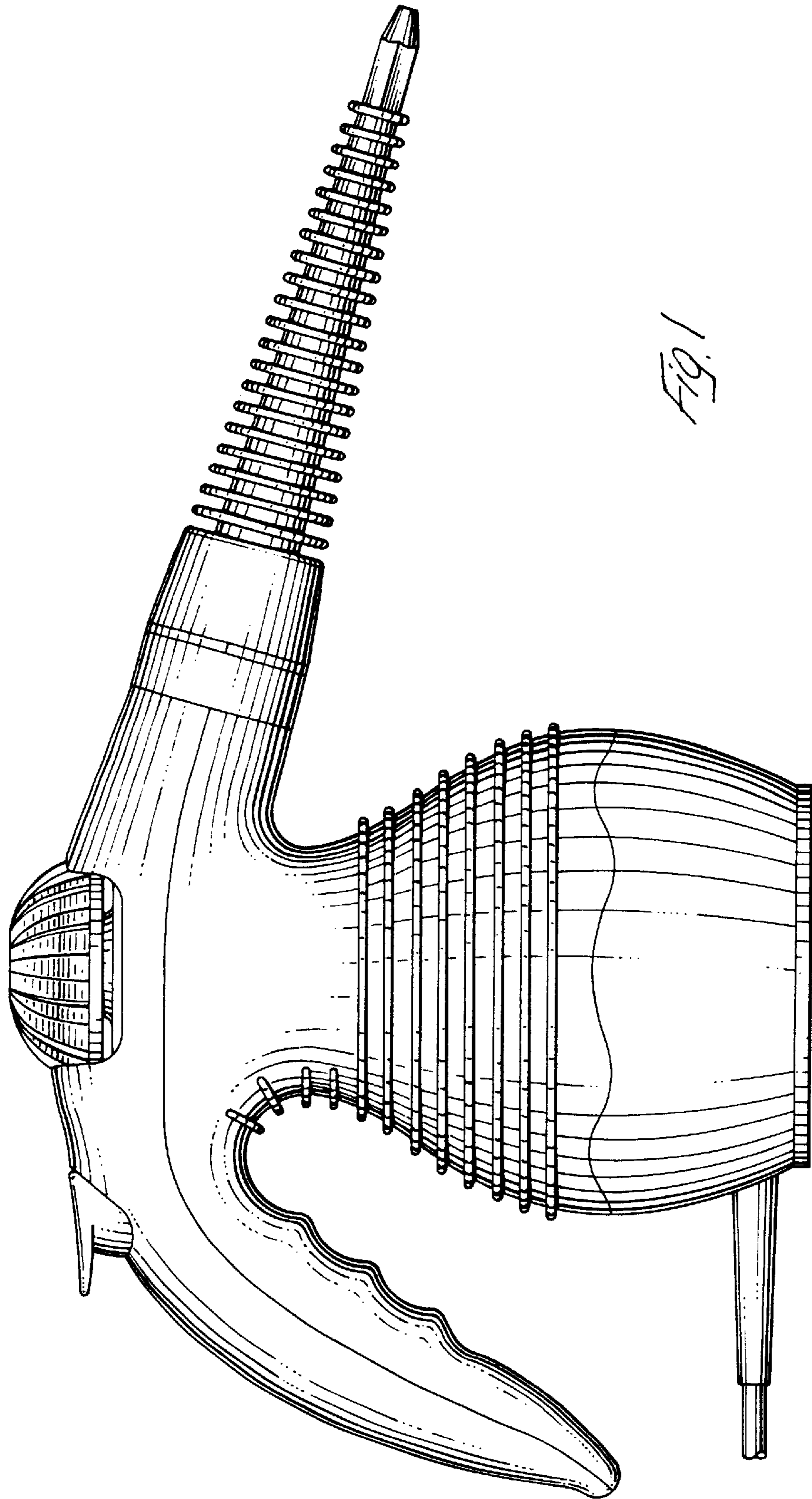


FIG. 1

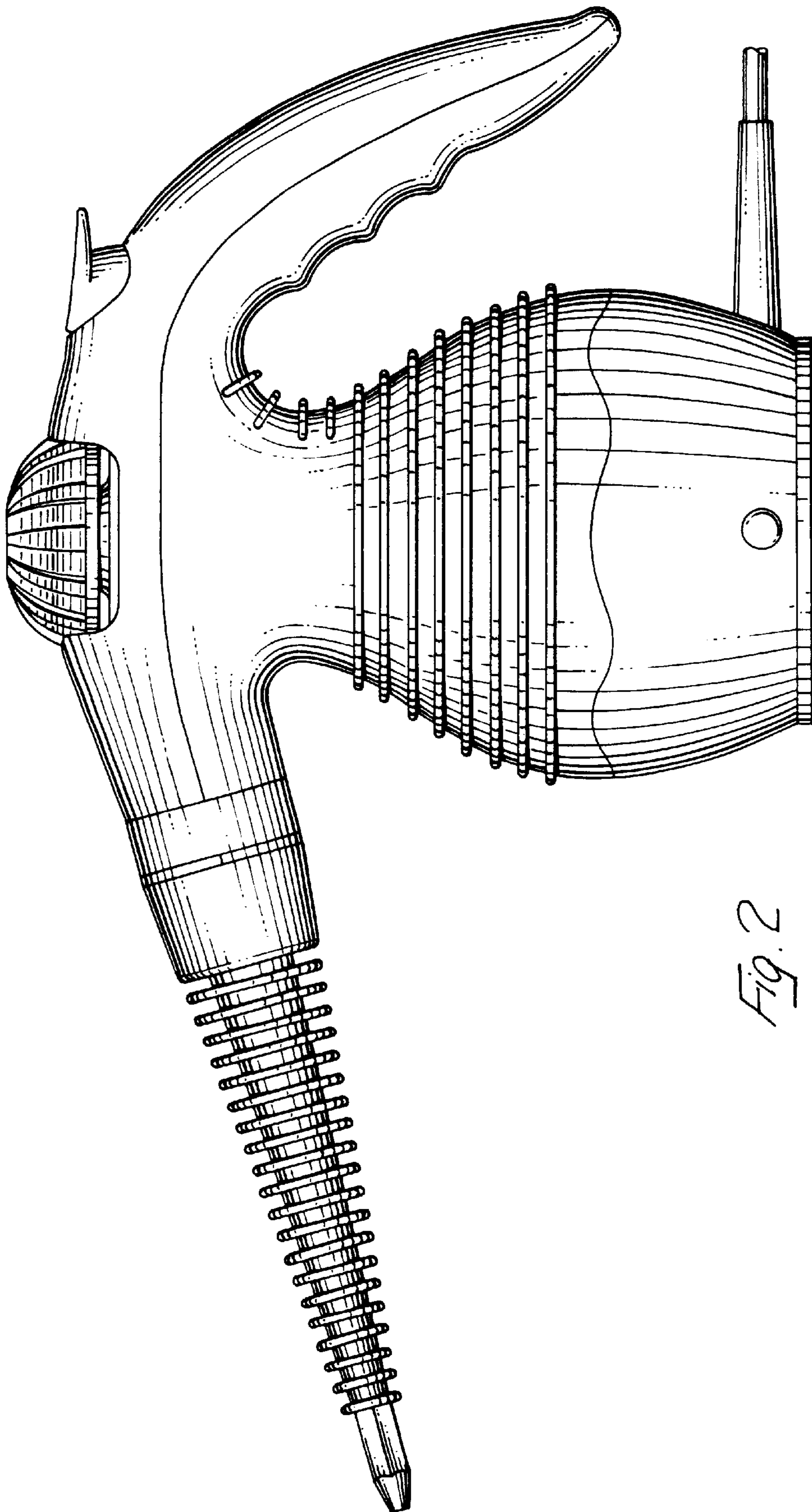


Fig. 2

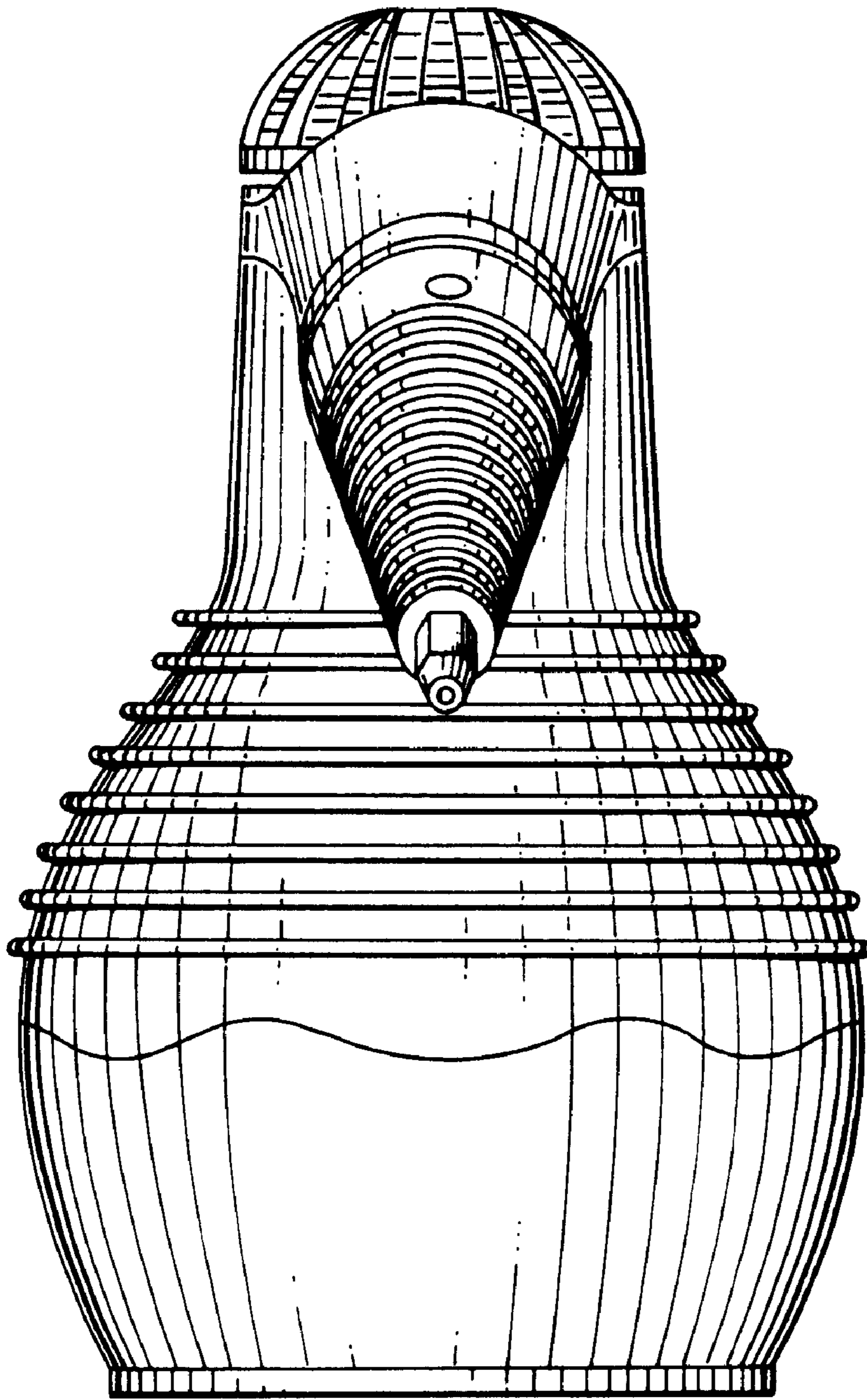


Fig. 3

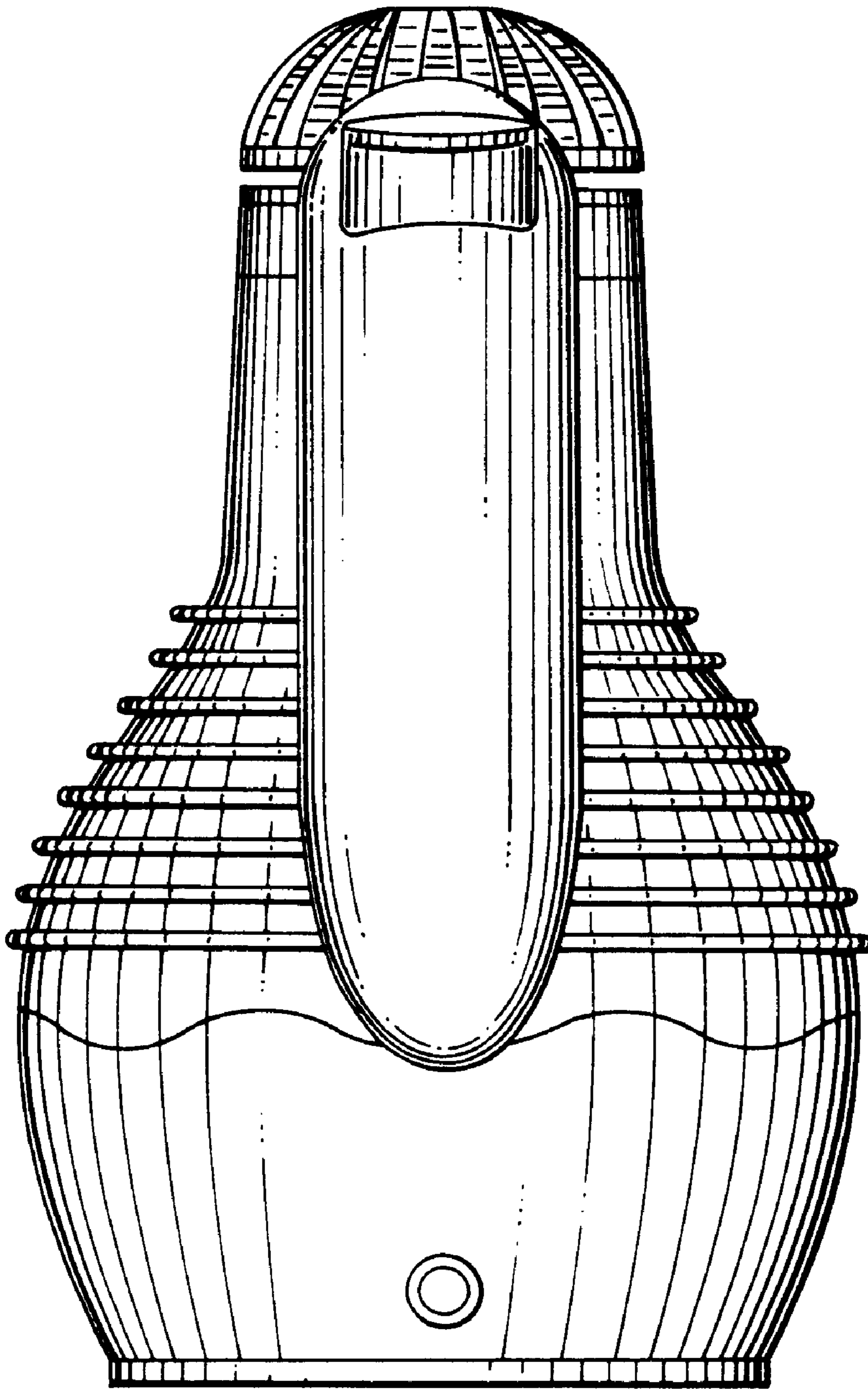


Fig. 4

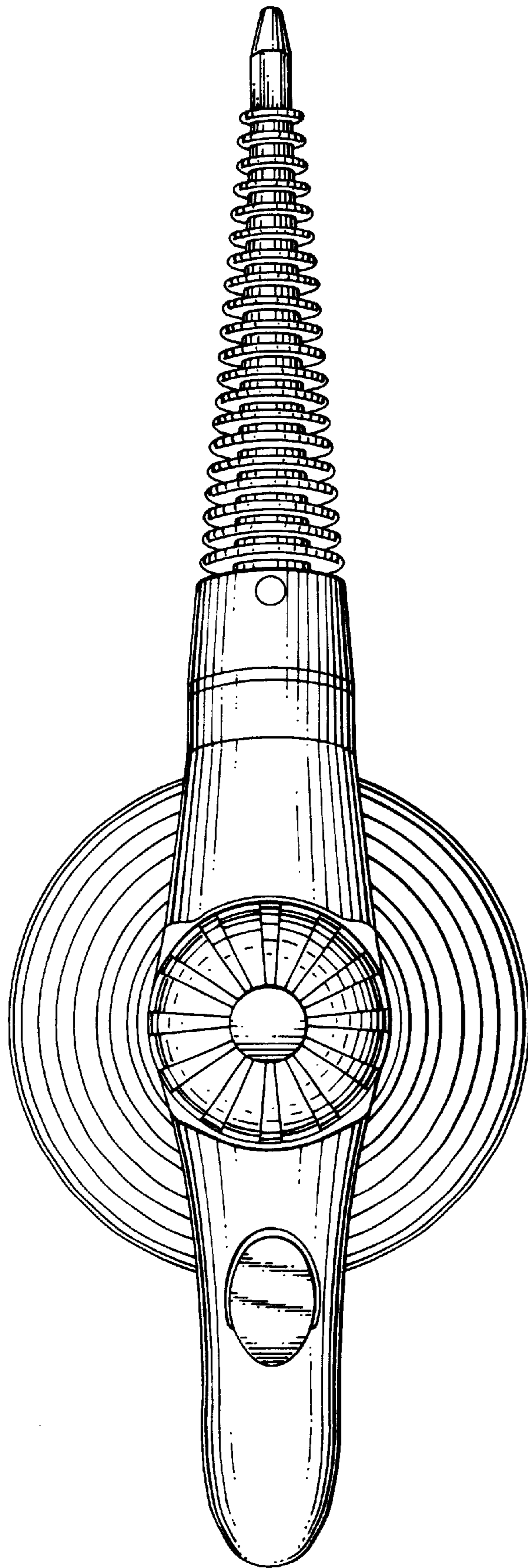


Fig. 5

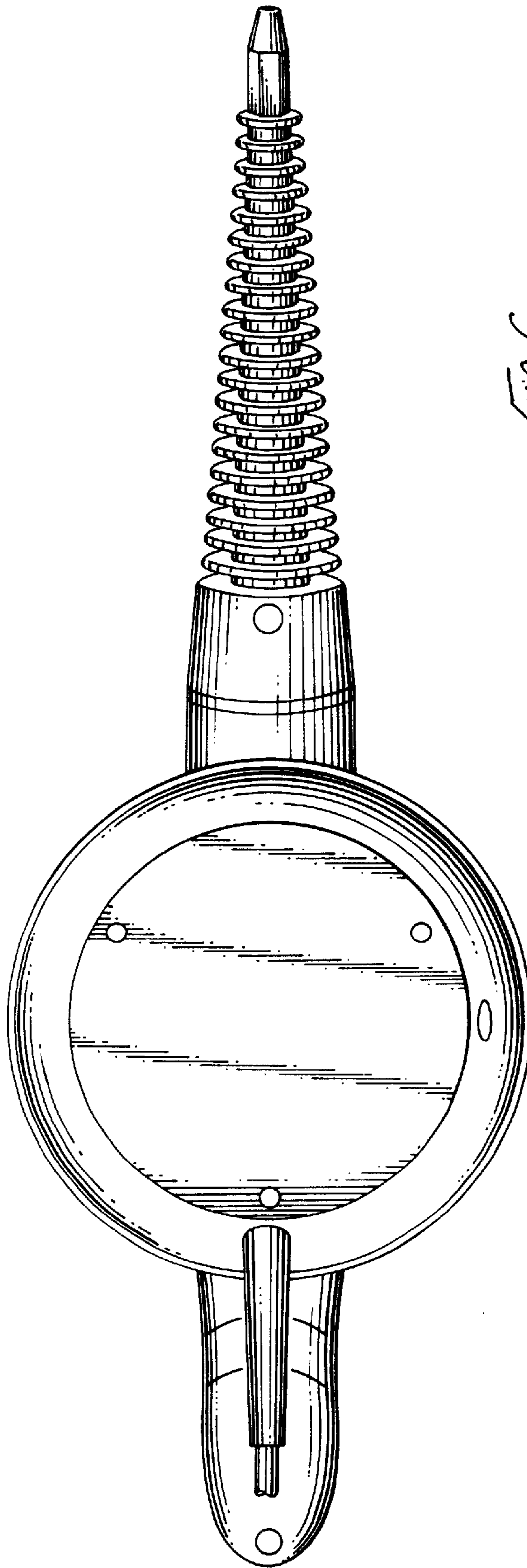


FIG. 6