



US00D447840B1

(12) **United States Design Patent**
Alveby et al.

(10) **Patent No.:** **US D447,840 S**

(45) **Date of Patent:** **** Sep. 11, 2001**

(54) **TEATCUP LINER**

(75) **Inventors:** **Nils Alveby, Stockholm; Jan Kassibrahim, Norsborg, both of (SE)**

(73) **Assignee:** **Alfa Laval Agri AB, Tumba (SE)**

(**) **Term:** **14 Years**

(21) **Appl. No.:** **29/115,266**

(22) **Filed:** **Dec. 10, 1999**

(30) **Foreign Application Priority Data**

Jun. 10, 1999 (SE) 99-1068

(51) **LOC (7) Cl.** **30-99**

(52) **U.S. Cl.** **D30/199**

(58) **Field of Search** D30/199, 158;
119/14.01, 14.02, 14.08, 14.5, 14.52, 14.54,
14.38, 14.43, 14.23, 14.47, 14.48-14.53

(56) **References Cited**

U.S. PATENT DOCUMENTS

D. 327,552	*	6/1992	Lallerstedt	D30/199
1,705,292	*	3/1929	Horthy et al.	119/14.47
2,092,605	*	9/1937	Hodsdon	119/14.53
2,164,706	*	7/1939	Flint et al.	119/14.49
2,565,721	*	8/1951	Conde	119/14.52
2,574,063	*	11/1951	Richwine	119/14.49
3,096,740	*	7/1963	Noorlander	119/14.52
3,106,445	*	10/1963	Cline	119/14.01
3,272,179	*	9/1966	Troberg	119/14.49
3,401,672	*	9/1968	Berglind	119/14.49

4,116,165	*	9/1978	Arrington	119/14.47
4,196,696	*	4/1980	Olander	119/14.51
4,651,676	*	3/1987	Kupres	119/14.47
4,840,141	*	6/1989	Marshall	119/14.47
4,964,368	*	10/1990	Ball et al.	119/14.49
5,007,378	*	4/1991	Larson	119/14.47
5,215,036	*	6/1993	Petterson et al.	119/14.47
5,482,004	*	1/1996	Chowdhury	D30/199
5,493,995	*	2/1996	Chowdhury	119/14.54
5,967,082	*	10/1999	Petterson et al.	119/14.47
5,992,347	*	11/1999	Innings et al.	119/14.07
6,039,001	*	3/2000	Sanford	119/14.47
6,058,879	*	5/2000	Miefalk	119/14.47

* cited by examiner

Primary Examiner—Cathy Anne MacCormac

(74) *Attorney, Agent, or Firm*—Hovey, Williams, Timmons & Collins

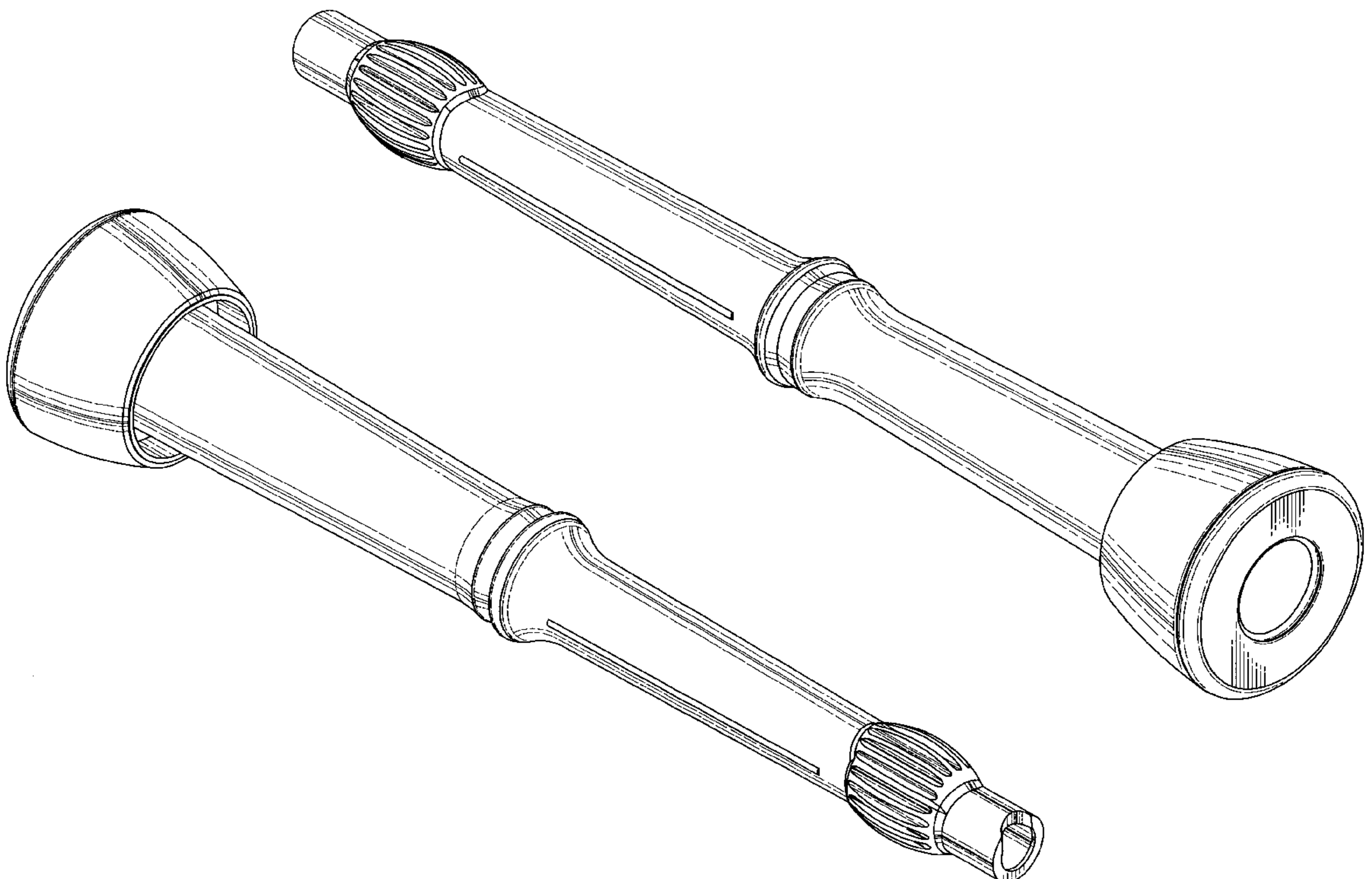
(57) **CLAIM**

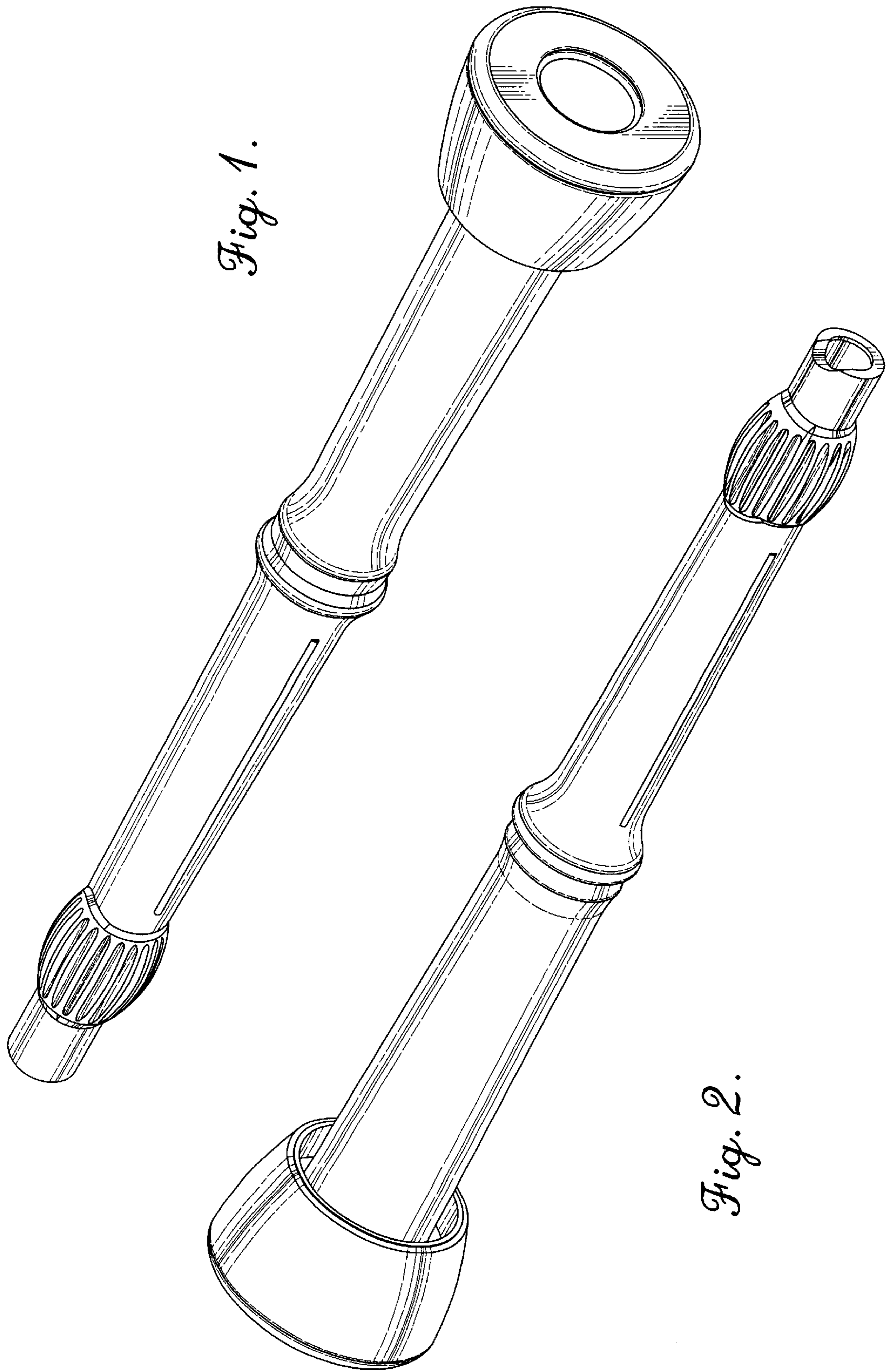
The ornamental design for a teatcup liner, as shown and described.

DESCRIPTION

FIG. 1 is a perspective view of a teatcup liner;
FIG. 2 is a perspective view of the opposite end thereof;
FIG. 3 is a first side elevation view thereof;
FIG. 4 is a second side elevation view thereof;
FIG. 5 is a third side elevation view thereof;
FIG. 6 is a fourth side elevation view thereof;
FIG. 7 is an end view thereof; and,
FIG. 8 is an opposite end view thereof.

1 Claim, 3 Drawing Sheets





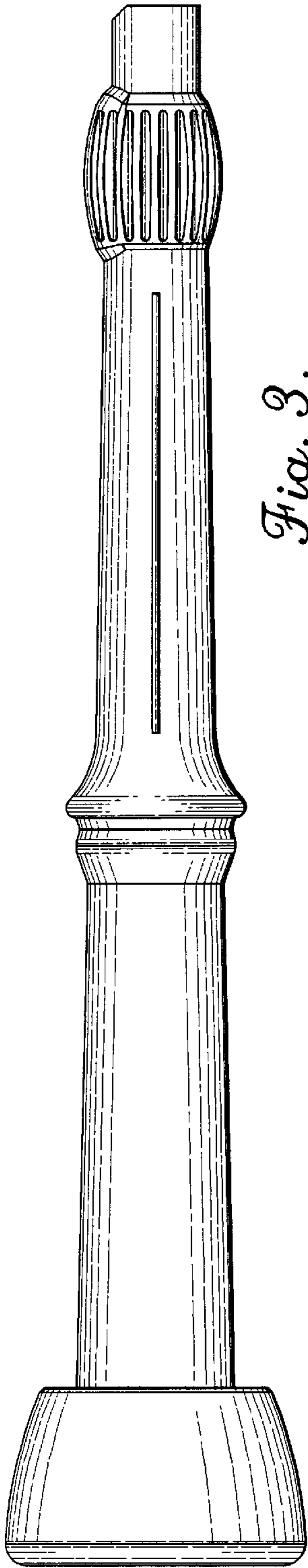


Fig. 3.

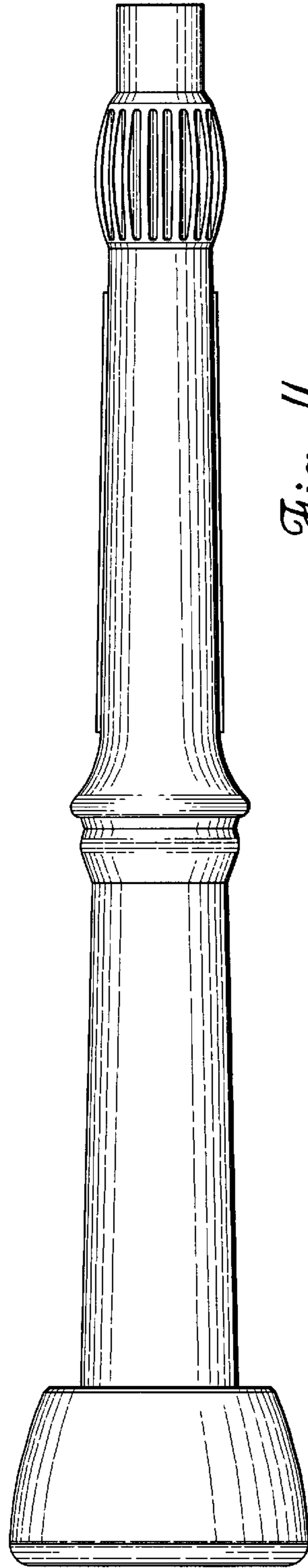


Fig. 4.

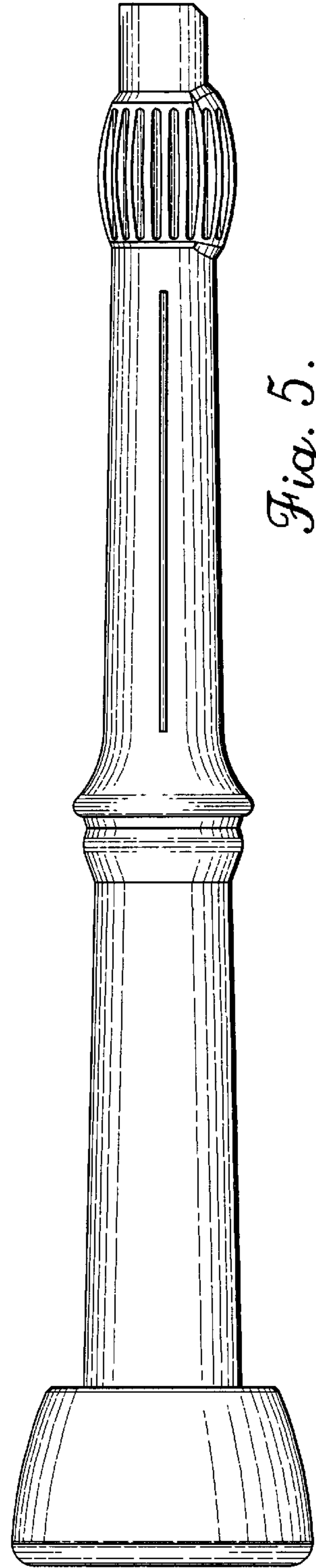


Fig. 5.

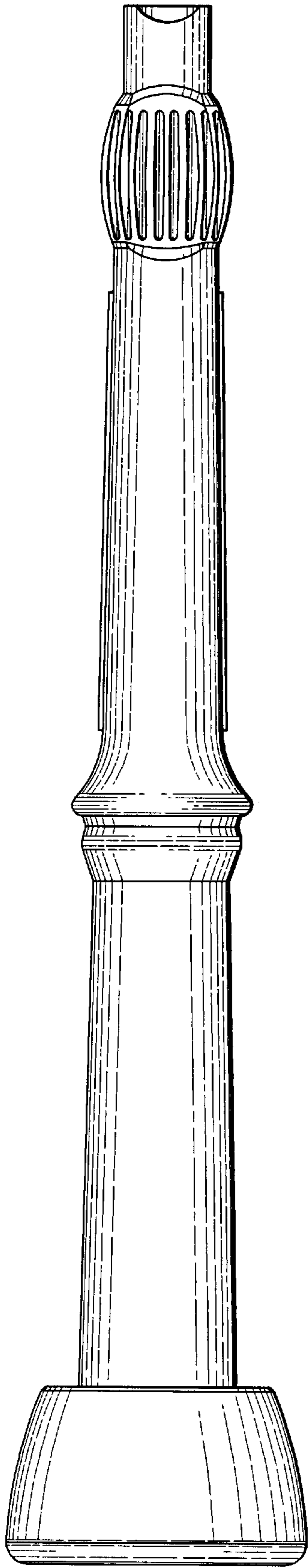


Fig. 6.

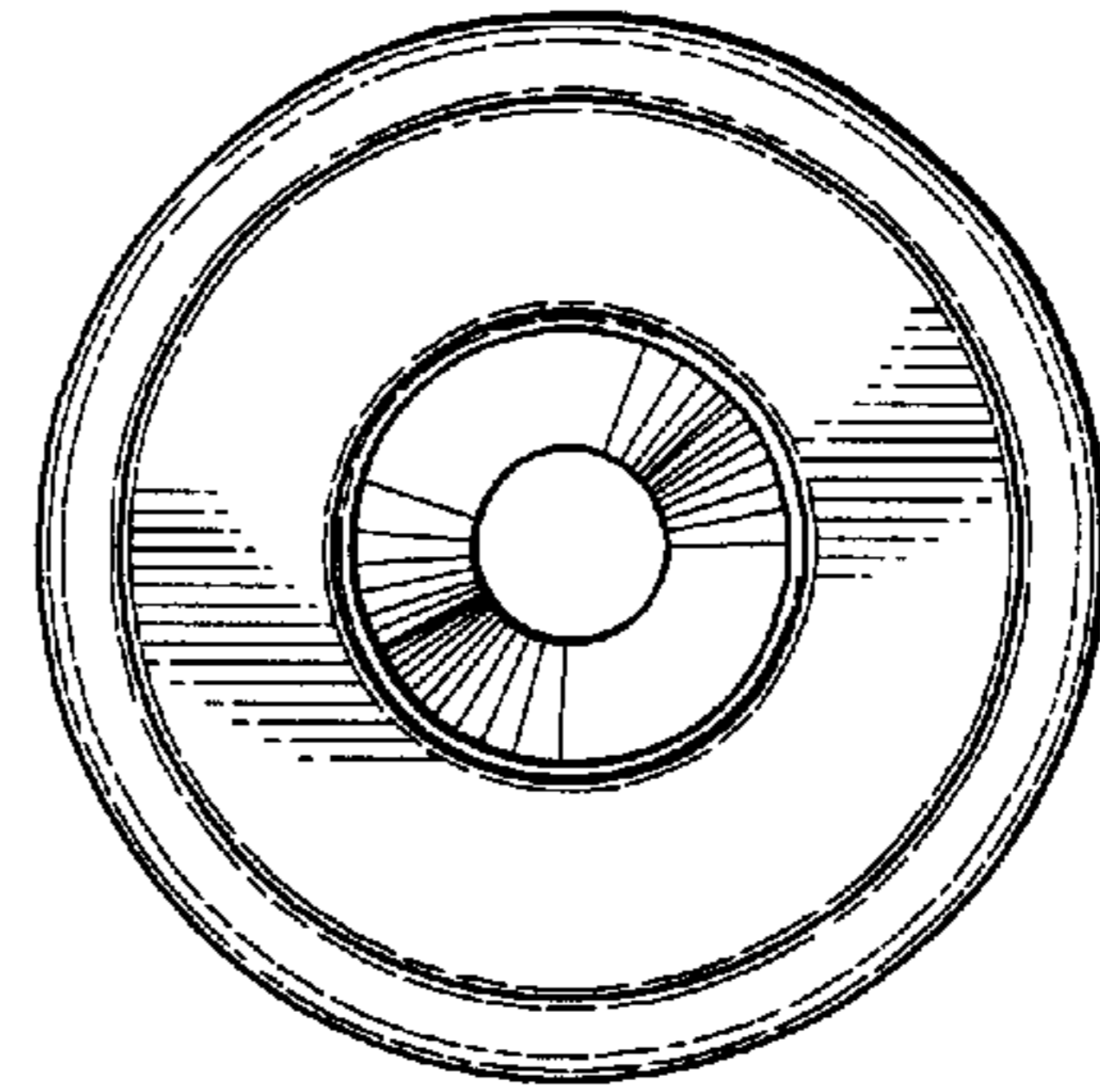


Fig. 8.

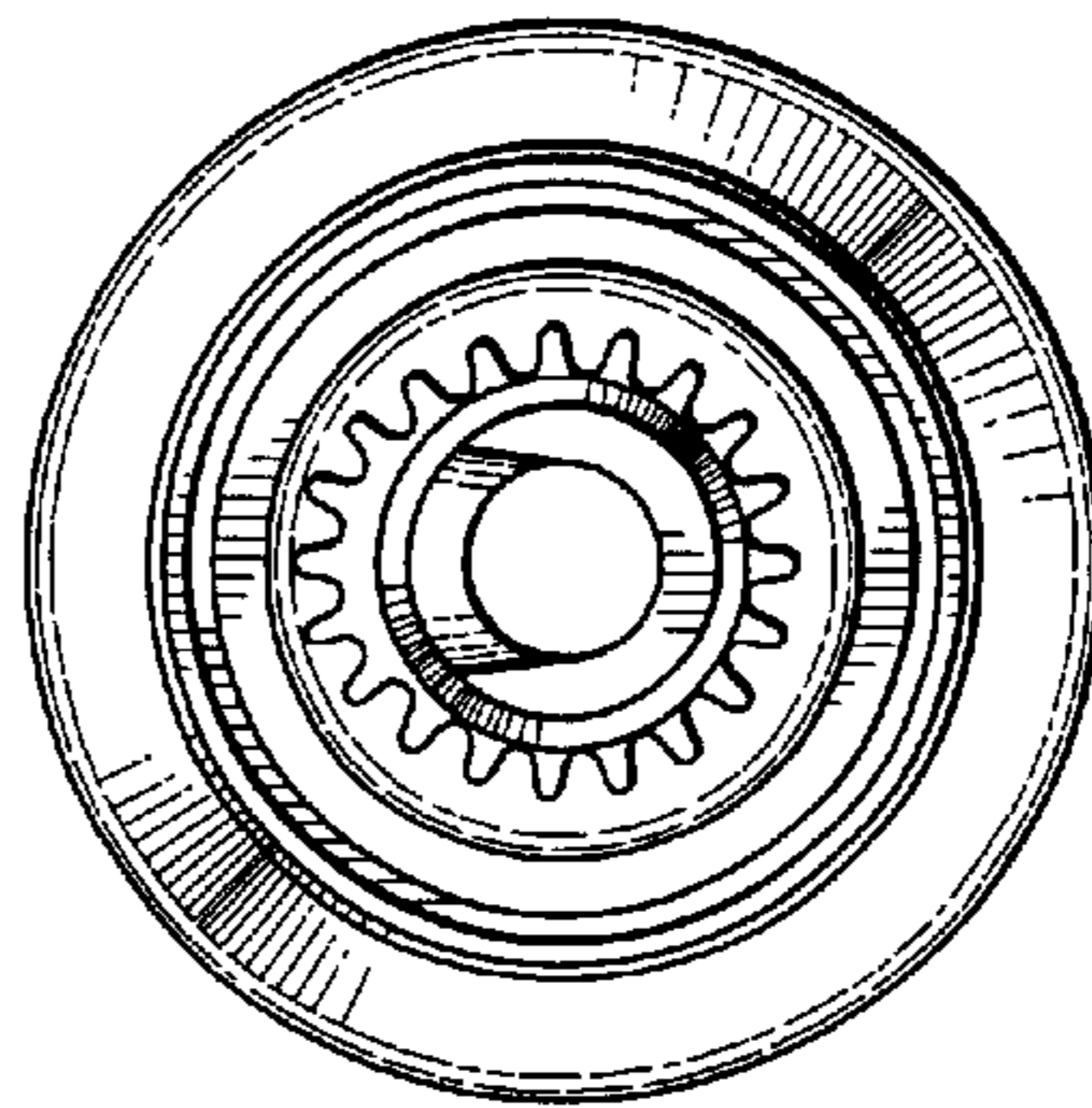


Fig. 7.