



US00D447839B1

(12) **United States Design Patent**
Rasmussen

(10) **Patent No.:** **US D447,839 S**

(45) **Date of Patent:** **** Sep. 11, 2001**

(54) **FEEDING AND DRINKING TROUGH**

(75) Inventor: **Henrik Rasmussen**, Nykøbing
Sjælland (DK)

(73) Assignee: **Egebjerg Maskinfabrik A/S**, Nykøbing
Sjælland (DK)

(**) Term: **14 Years**

(21) Appl. No.: **29/107,467**

(22) Filed: **Jul. 8, 1999**

Related U.S. Application Data

(63) Continuation-in-part of application No. 29/105,887, filed on
Jun. 7, 1999, now abandoned.

(30) **Foreign Application Priority Data**

Dec. 7, 1998 (DK) MA 1998 01278

(51) **LOC (7) Cl.** **30-03**

(52) **U.S. Cl.** **D30/131**

(58) **Field of Search** D30/128, 129,
D30/121, 122, 130, 133; 119/71, 51.13,
51.11, 52.01, 51.01, 60, 61, 77, 53.01,
51.05; 220/8, 529; D7/538-548, 602, 629

(56) **References Cited**

U.S. PATENT DOCUMENTS

D. 219,645 * 1/1971 Rabe D9/341
D. 226,838 * 5/1973 Ruskin D30/129
D. 261,202 * 10/1981 Shames et al. D7/586
D. 311,612 * 10/1990 Fuller D30/131
D. 316,011 * 4/1991 Guy D30/129

* cited by examiner

Primary Examiner—Pamela Burgess

(74) *Attorney, Agent, or Firm*—Dykema Gossett PLLC

(57) **CLAIM**

An ornamental design for a feeding and drinking trough, as
shown and described.

DESCRIPTION

FIG. 1 is a perspective top view of a feeding and drinking
trough in accordance with my new design;

FIG. 2 is a top plan view thereof;

FIG. 3 is a side view thereof, the opposite side view being
a mirror image;

FIG. 4 is an end view thereof, the opposite end view being
a mirror image; and,

FIG. 5 is a bottom plan view thereof.

1 Claim, 2 Drawing Sheets

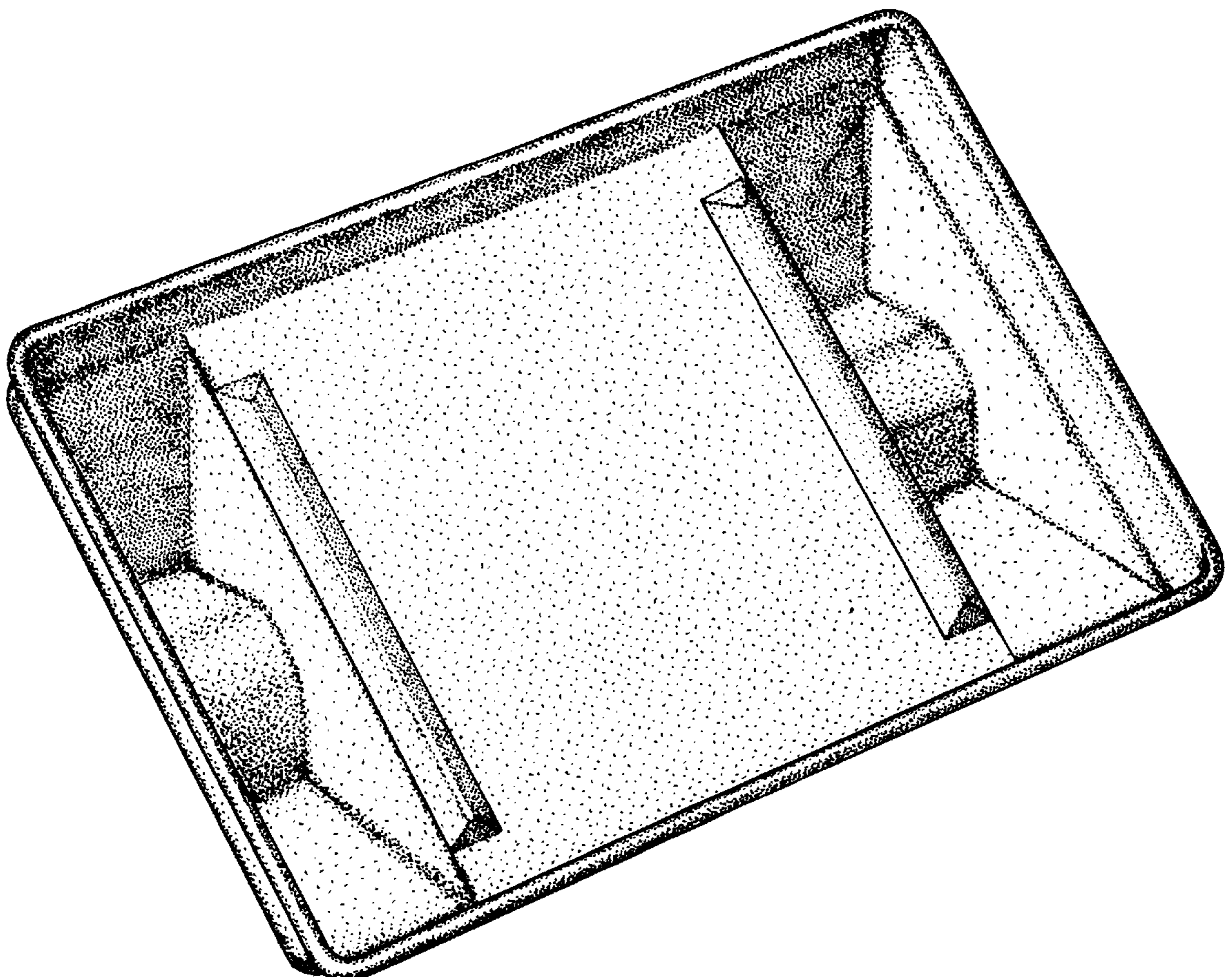


FIG. 1

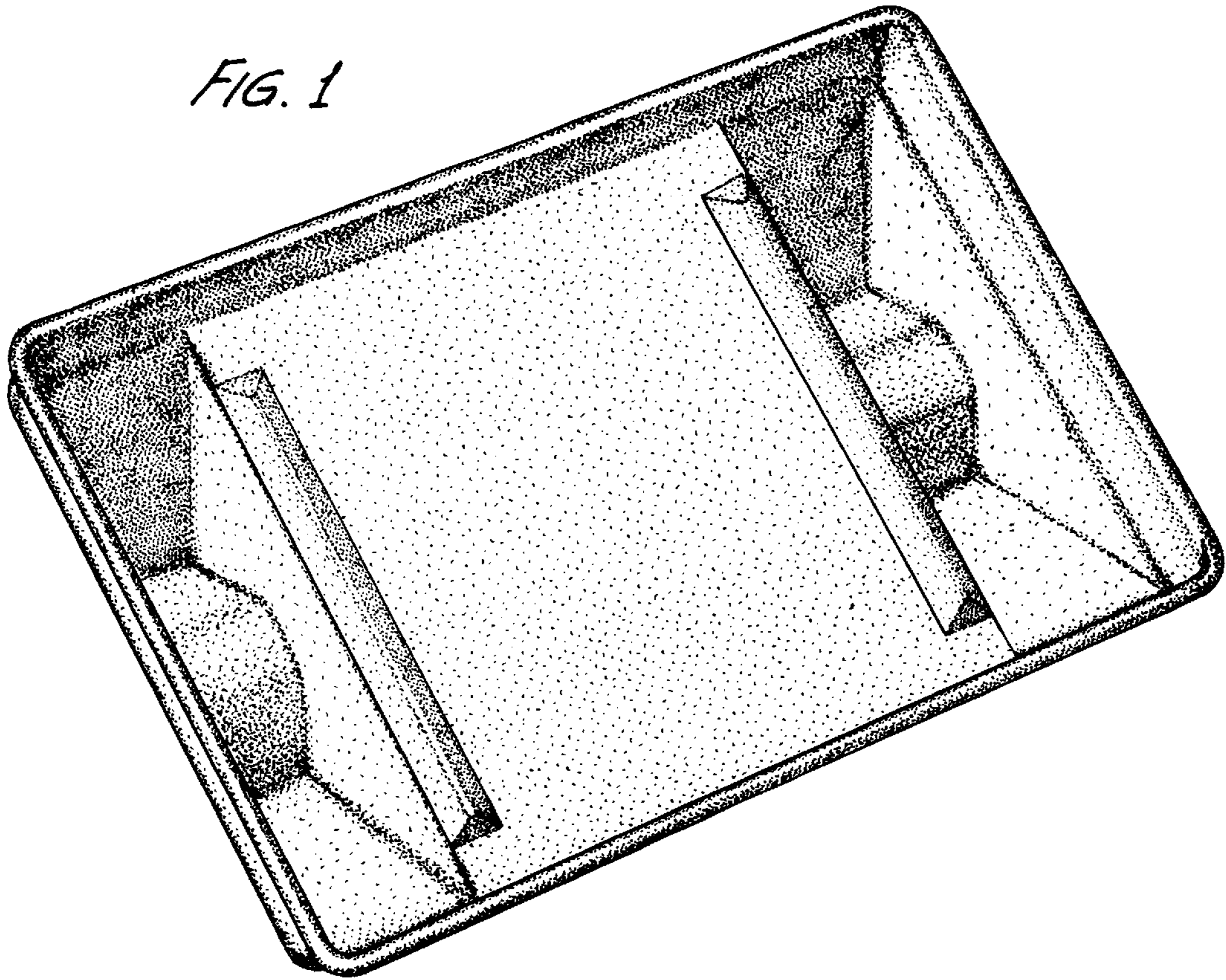


FIG. 2

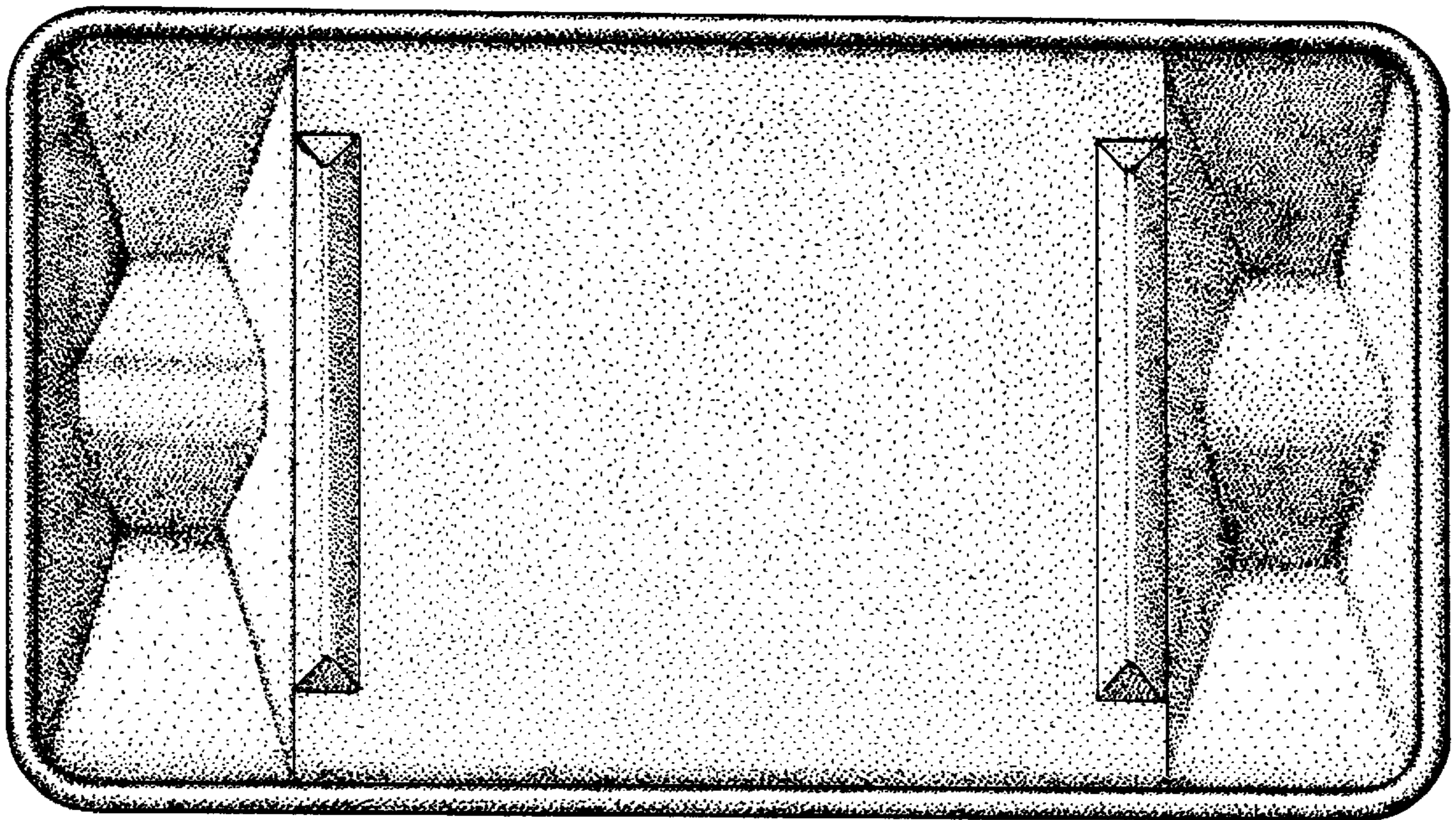


FIG. 3

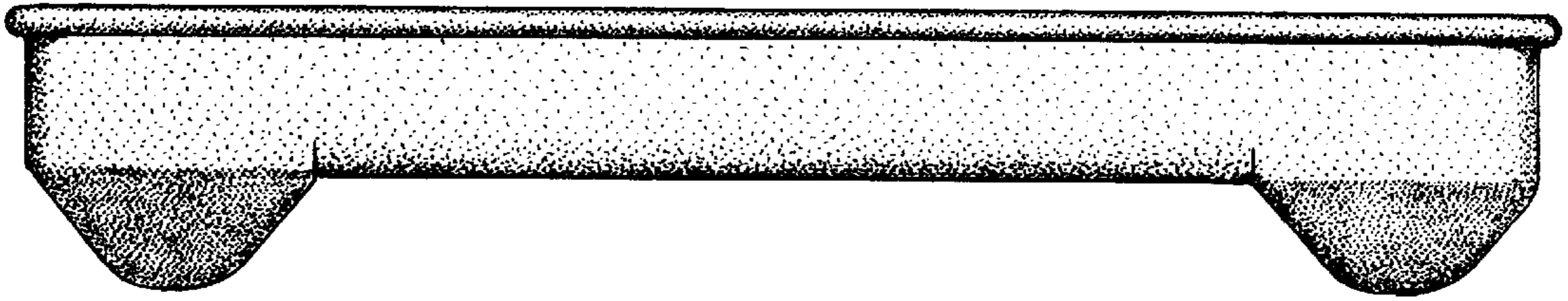


FIG. 4

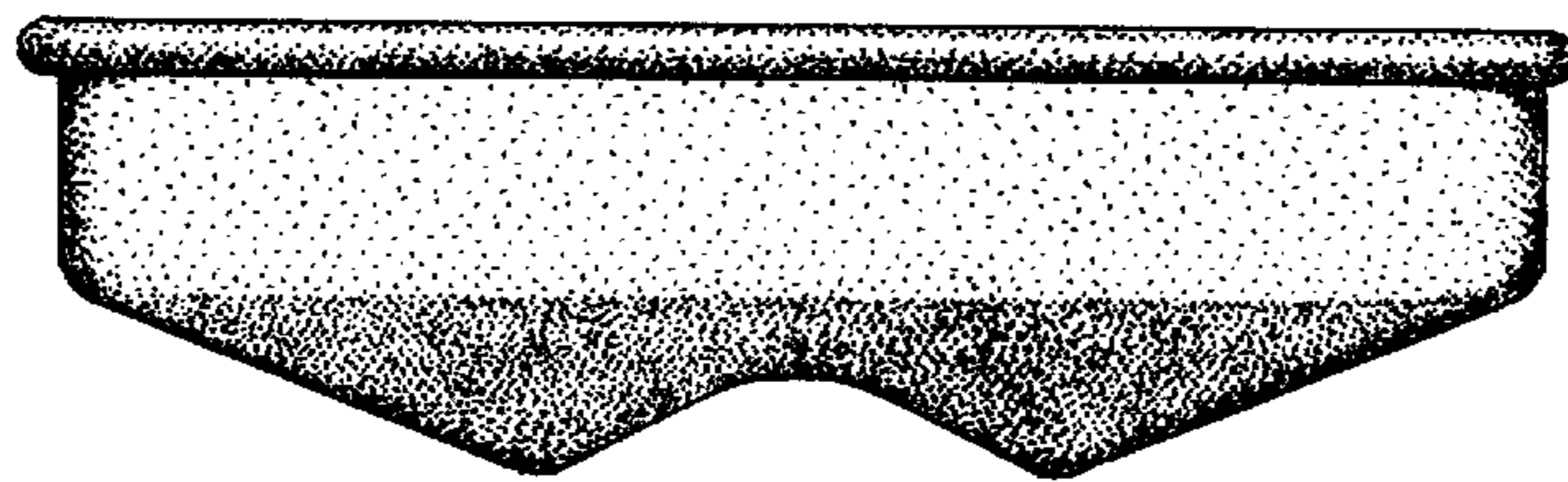


FIG. 5

