



US00D447823B1

(12) **United States Design Patent**  
**Choi**

(10) **Patent No.:** **US D447,823 S**

(45) **Date of Patent:** **\*\* Sep. 11, 2001**

(54) **COMPACT FLUORESCENT LAMP**

D. 422,371 \* 4/2000 Kato et al. .... D26/3  
D. 426,325 \* 6/2000 Ho ..... D26/3

(75) **Inventor:** **Keun Chol Choi**, Puchon (KR)

\* cited by examiner

(73) **Assignee:** **Jungwoo International Inc.**,  
Kyungki-do (KR)

*Primary Examiner*—Marcus A. Jackson  
(74) *Attorney, Agent, or Firm*—Bacon & Thomas, PLLC

(\*\*) **Term:** **14 Years**

(57) **CLAIM**

(21) **Appl. No.:** **29/135,327**

The ornamental design for a compact fluorescent lamp, as shown and described.

(22) **Filed:** **Jan. 11, 2001**

**DESCRIPTION**

(51) **LOC (7) Cl.** ..... **26-06**

(52) **U.S. Cl.** ..... **D26/3**

(58) **Field of Search** ..... D26/1, 2, 3, 4;  
313/313, 317, 318, 493, 56, 57, 58, 63

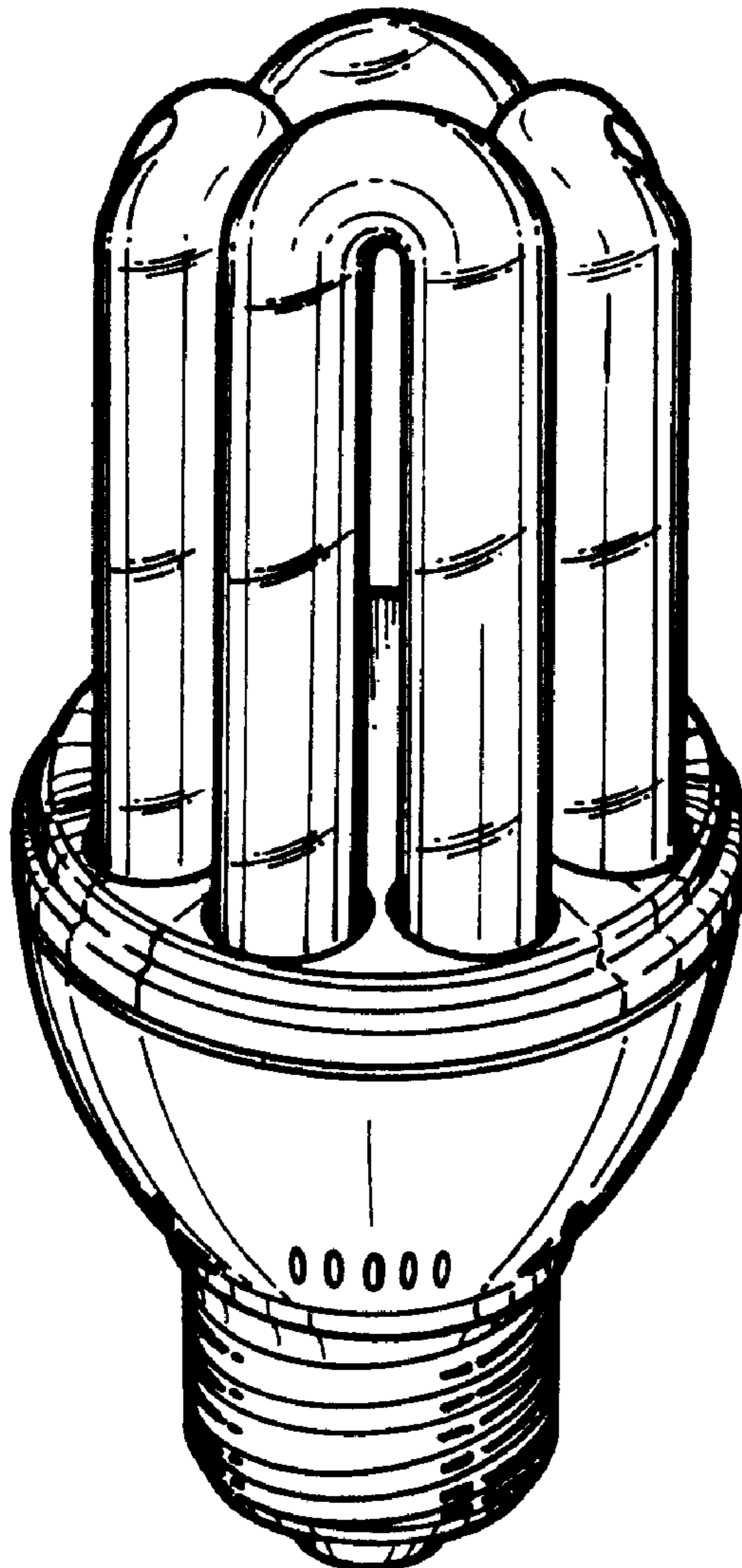
FIG. 1 is a perspective view of a compact fluorescent lamp showing my new design;  
FIG. 2 is a front elevation view thereof;  
FIG. 3 is a top plan view thereof;  
FIG. 4 is a bottom plan view thereof; and,  
FIG. 5 is a section view along lines 5—5 in FIG. 2.

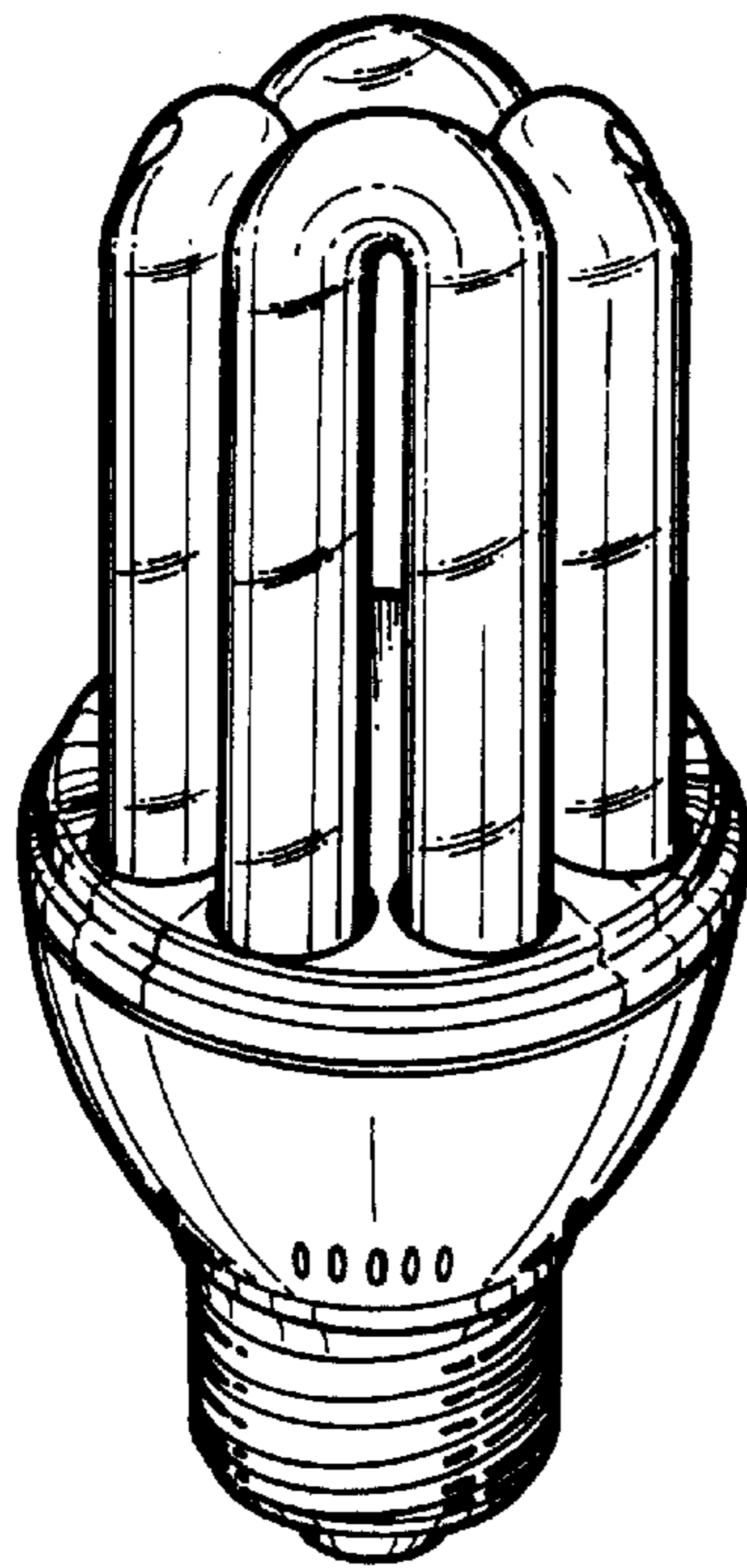
(56) **References Cited**

**U.S. PATENT DOCUMENTS**

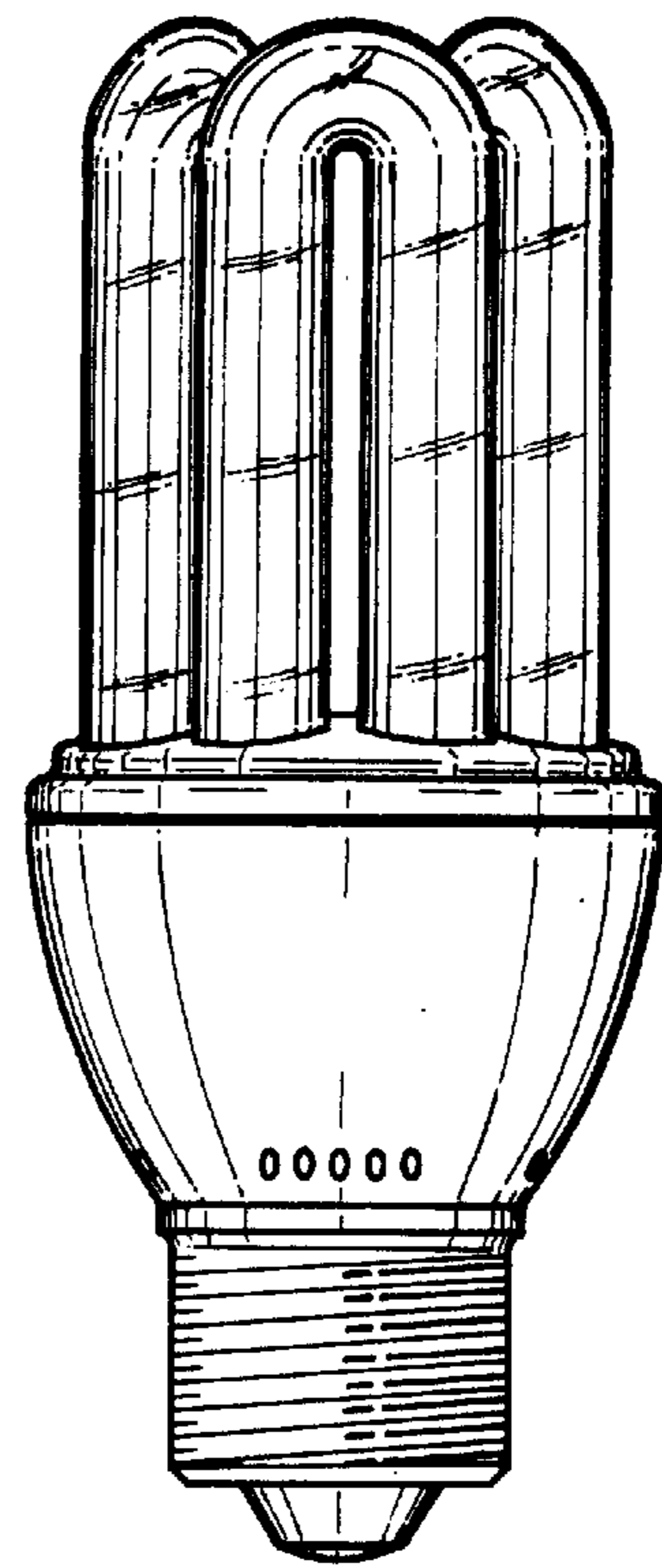
D. 417,296 \* 11/1999 Kato et al. .... D26/3

**1 Claim, 1 Drawing Sheet**

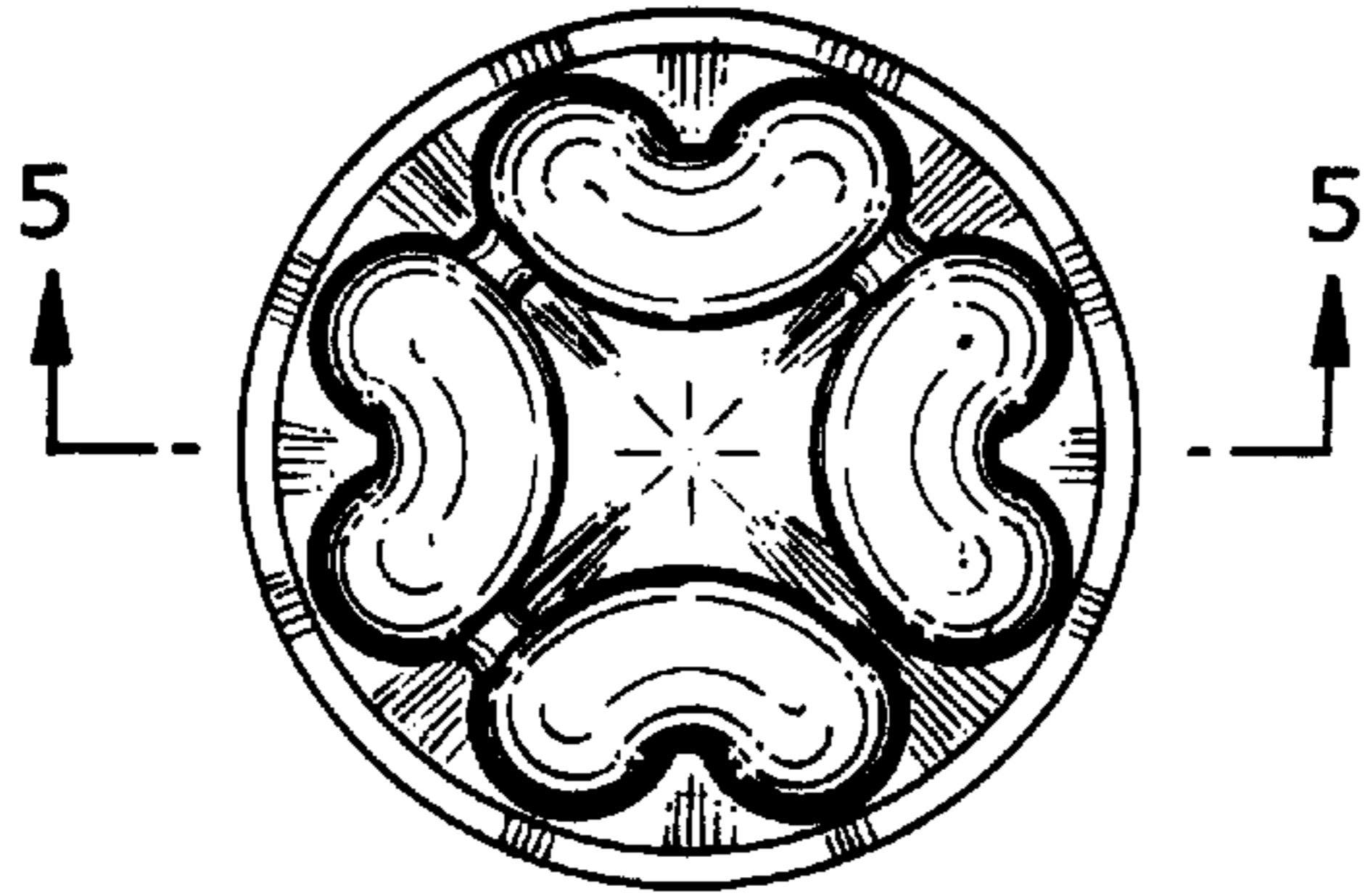




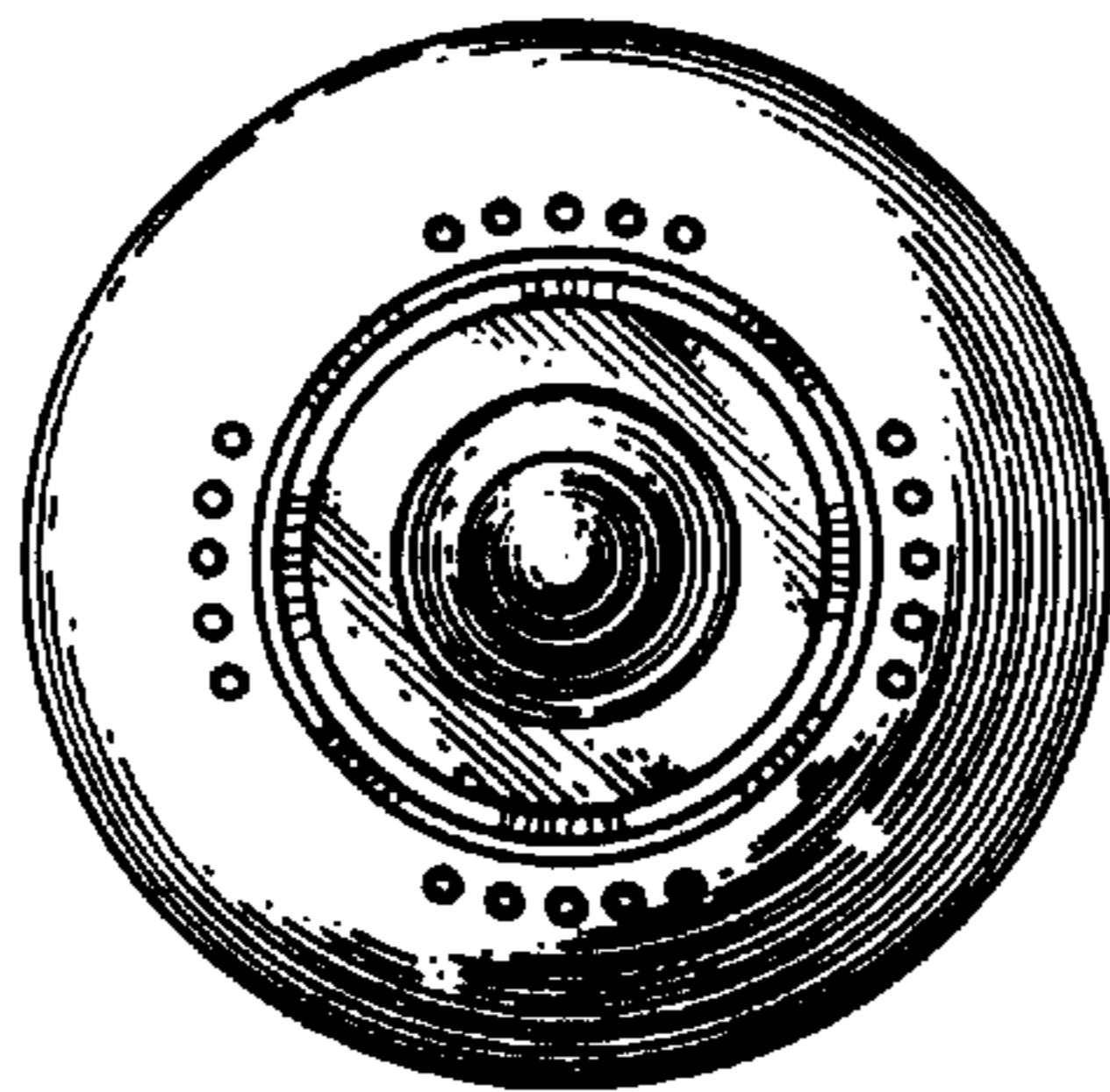
**Fig. 1**



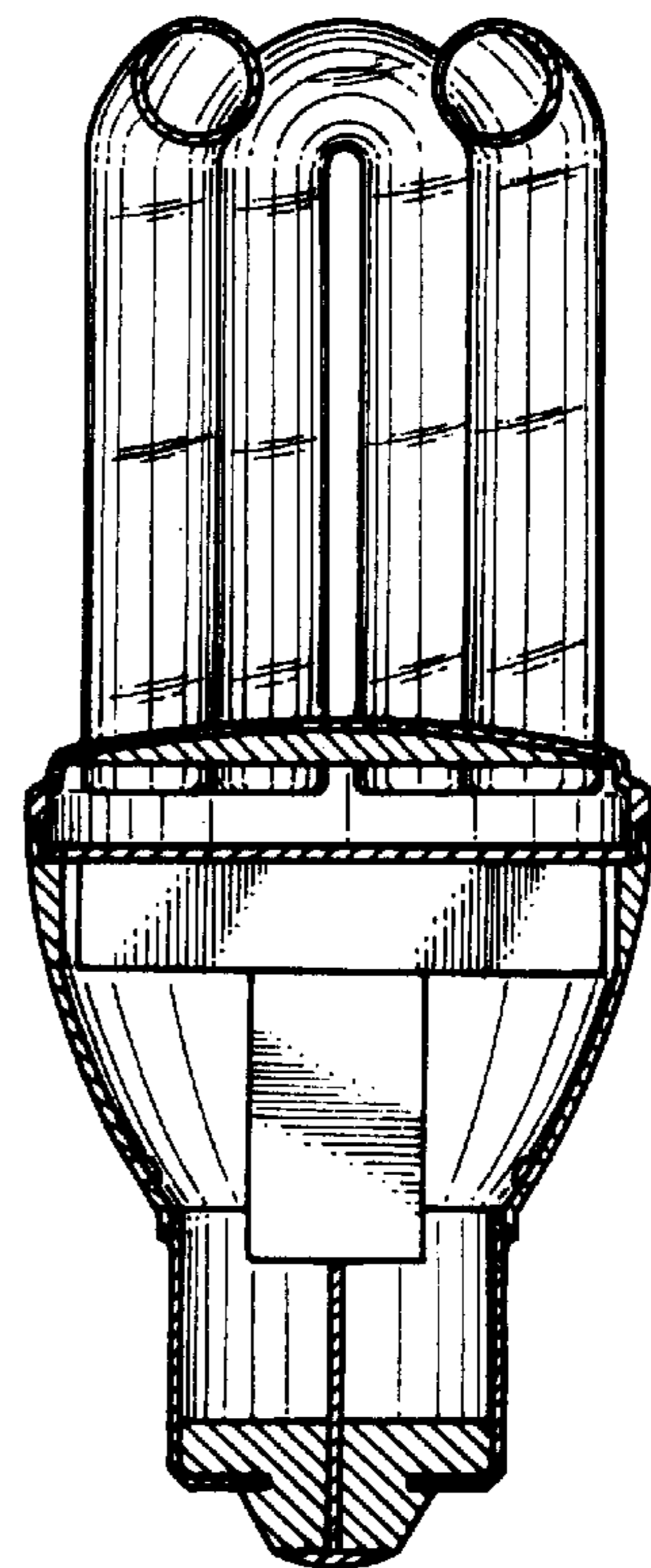
**Fig. 2**



**Fig. 3**



**Fig. 4**



**Fig. 5**