



US00D447819B1

(12) **United States Design Patent**
Bilka

(10) **Patent No.:** **US D447,819 S**

(45) **Date of Patent:** **** Sep. 11, 2001**

(54) **BRICK BLOCK**

FOREIGN PATENT DOCUMENTS

(76) Inventor: **Augustin J. Bilka**, 4244 Moccasin Trail, Woodstock, GA (US) 30189

940509 * 5/1948 (FR) D25/113 X

(**) Term: **14 Years**

* cited by examiner

(21) Appl. No.: **29/136,600**

Primary Examiner—Louis S. Zarfaz
Assistant Examiner—Robert A Delehanty
(74) *Attorney, Agent, or Firm*—Baker, Donelson, Bearman & Caldwell

(22) Filed: **Feb. 2, 2001**

(57) **CLAIM**

(51) **LOC (7) Cl.** **25-01**

(52) **U.S. Cl.** **D25/113**

(58) **Field of Search** D25/102, 112–115, D25/118, 164; D21/484–486, 489–491, 493, 499–500, 505; 405/284–287.1; 404/25–26, 27–31, 34–41; 52/102, 574–582.2, 596, 600–609

The ornamental design for a brick block, as shown and described.

DESCRIPTION

(56) **References Cited**

U.S. PATENT DOCUMENTS

| | | | | | |
|------------|---|---------|------------------|-------|-----------|
| 117,212 | * | 7/1871 | Shaw | | 404/41 |
| D. 431,082 | * | 9/2000 | Jaros | | D25/113 |
| 444,042 | * | 1/1891 | Brock | | 52/578 |
| 938,430 | | 10/1909 | McQueen | | 52/591.5 |
| 1,351,546 | * | 8/1920 | Warmoth | | 404/40 |
| 1,422,949 | | 7/1922 | Evans | | 52/591.4 |
| 1,551,544 | * | 9/1925 | Crooks | | 52/578 |
| 2,265,244 | | 12/1941 | Neumeister | | 52/591.4 |
| 2,932,745 | * | 4/1960 | Alberti et al. | | D21/504 X |
| 3,908,326 | | 9/1975 | Francis | | 52/384 |
| 4,034,533 | * | 7/1977 | Faas | | 52/591.1 |
| 4,044,520 | | 8/1977 | Barrows | | 52/591.4 |
| 4,642,960 | | 2/1987 | Wallover, III | | 52/390 |
| 4,646,498 | | 3/1987 | Schneller et al. | | 52/309.12 |

FIG. 1 is a front, left perspective view of my new ornamental design for a brick block;
FIG. 2 is a back, right perspective view thereof;
FIG. 3 is a left side elevational view thereof;
FIG. 4 is a right side elevational view thereof;
FIG. 5 is a back side elevational view thereof;
FIG. 6 is a front side elevational view thereof;
FIG. 7 is a top plan view thereof;
FIG. 8 is a bottom plan view thereof;
FIG. 9 is a perspective view of a brick block shown with like brick blocks in a portion of a wall thereof;
FIG. 10 is a front elevation view of FIG. 9;
FIG. 11 is a left perspective view of a brick block shown with like brick blocks in a portion of a wall thereof; and,
FIG. 12 is a front elevation view of FIG. 11.
The broken line showing of a plurality of brick blocks is for illustrative purposes only and forms no part of the claimed design.

1 Claim, 4 Drawing Sheets

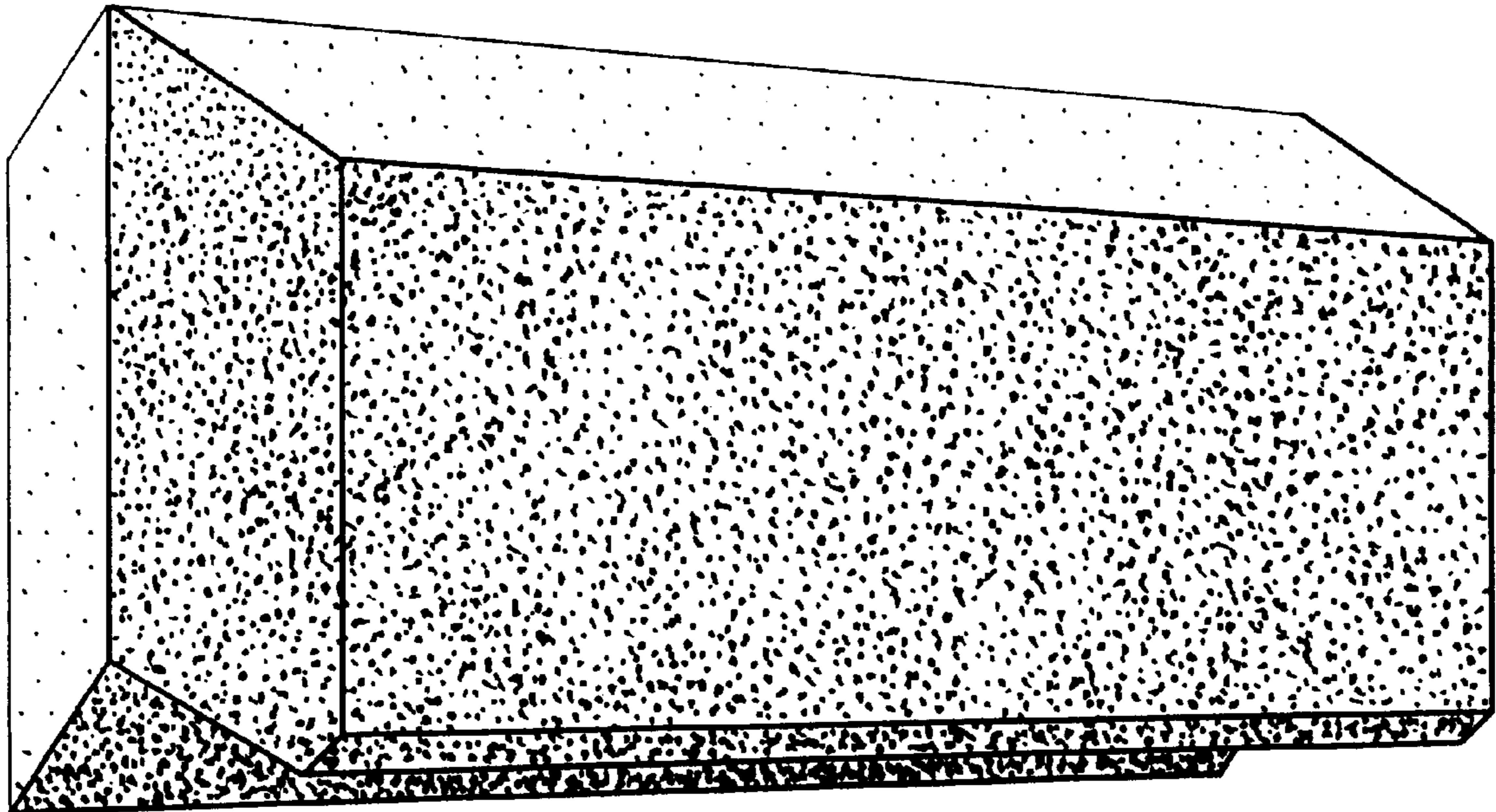


Fig. 1

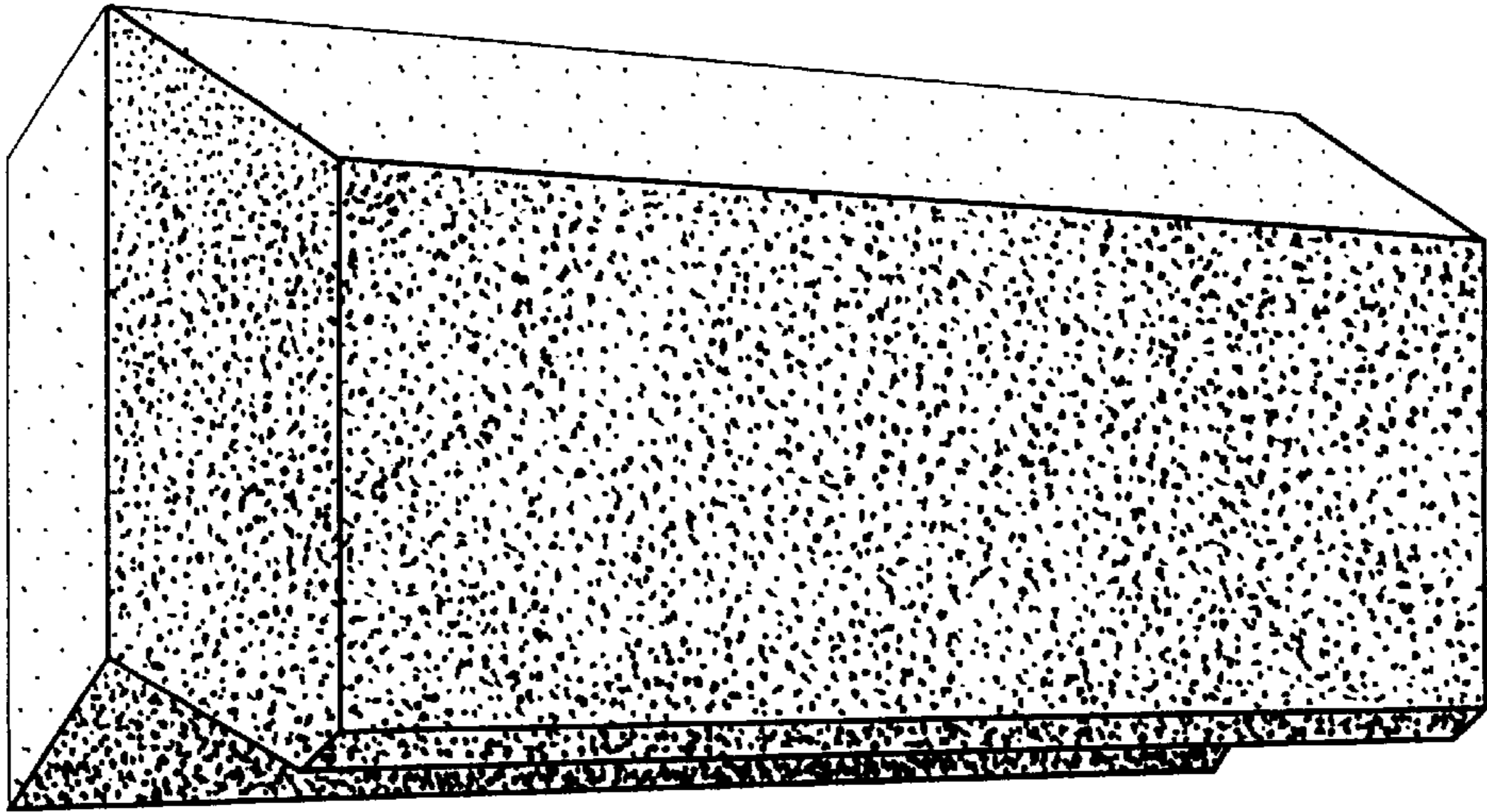


Fig. 2

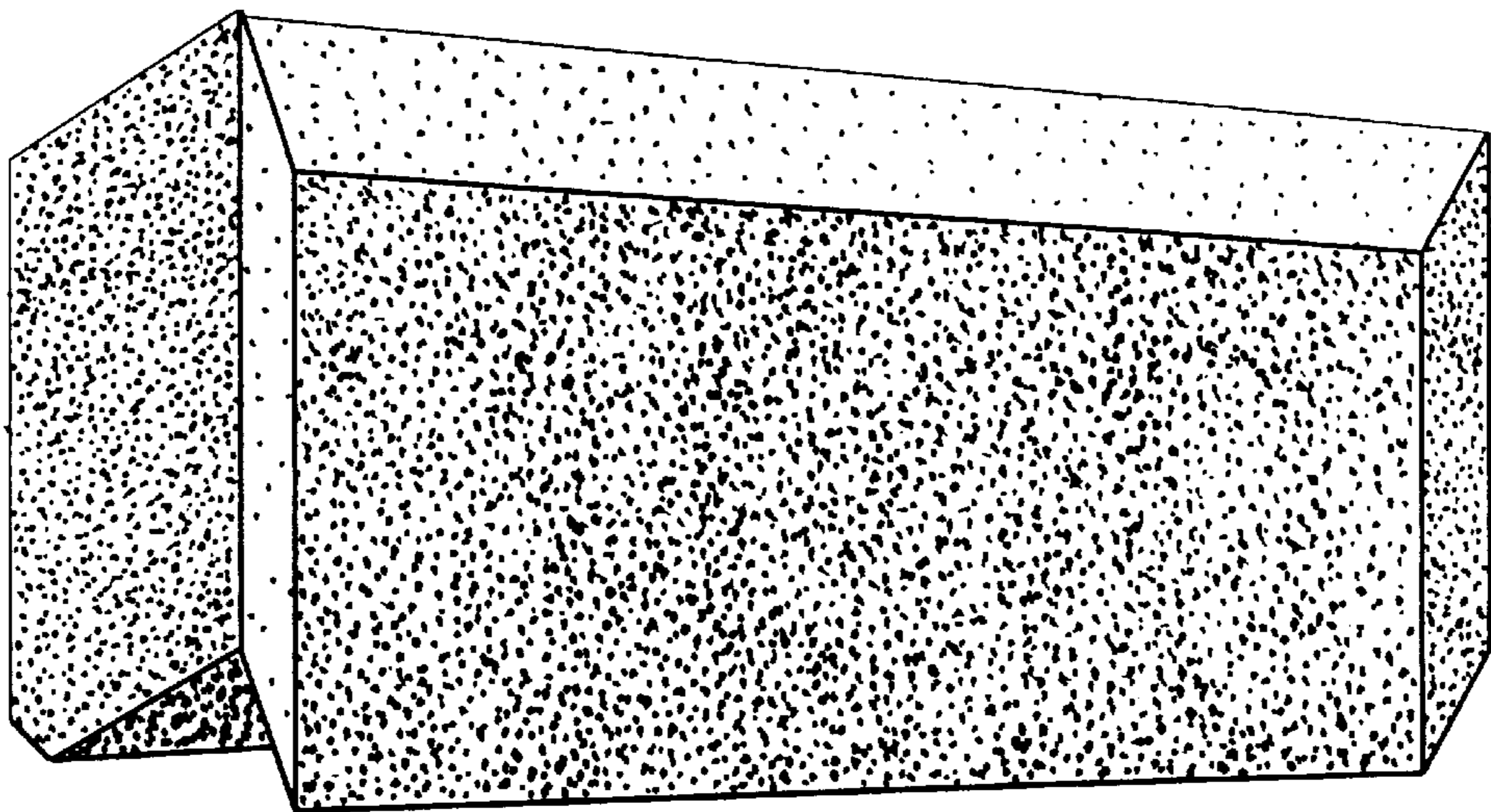


Fig. 3

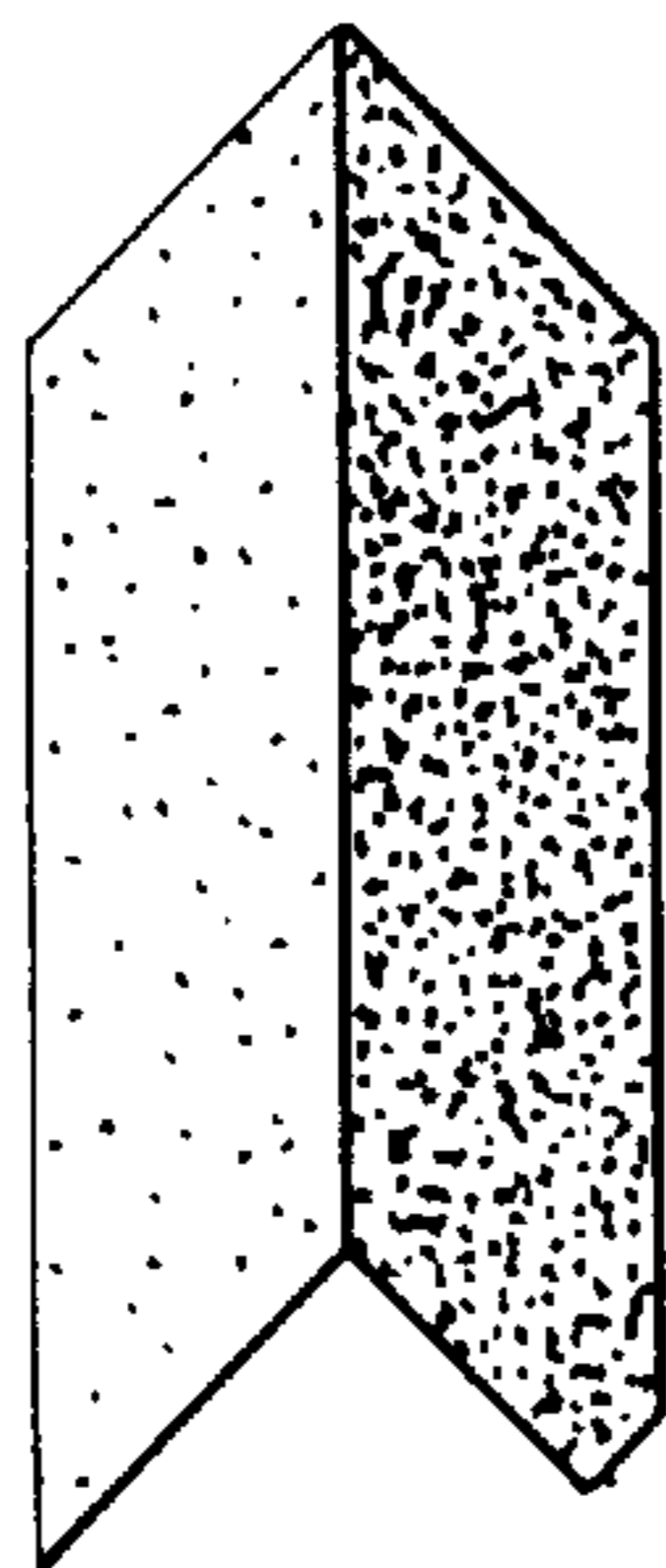


Fig. 4



Fig. 5

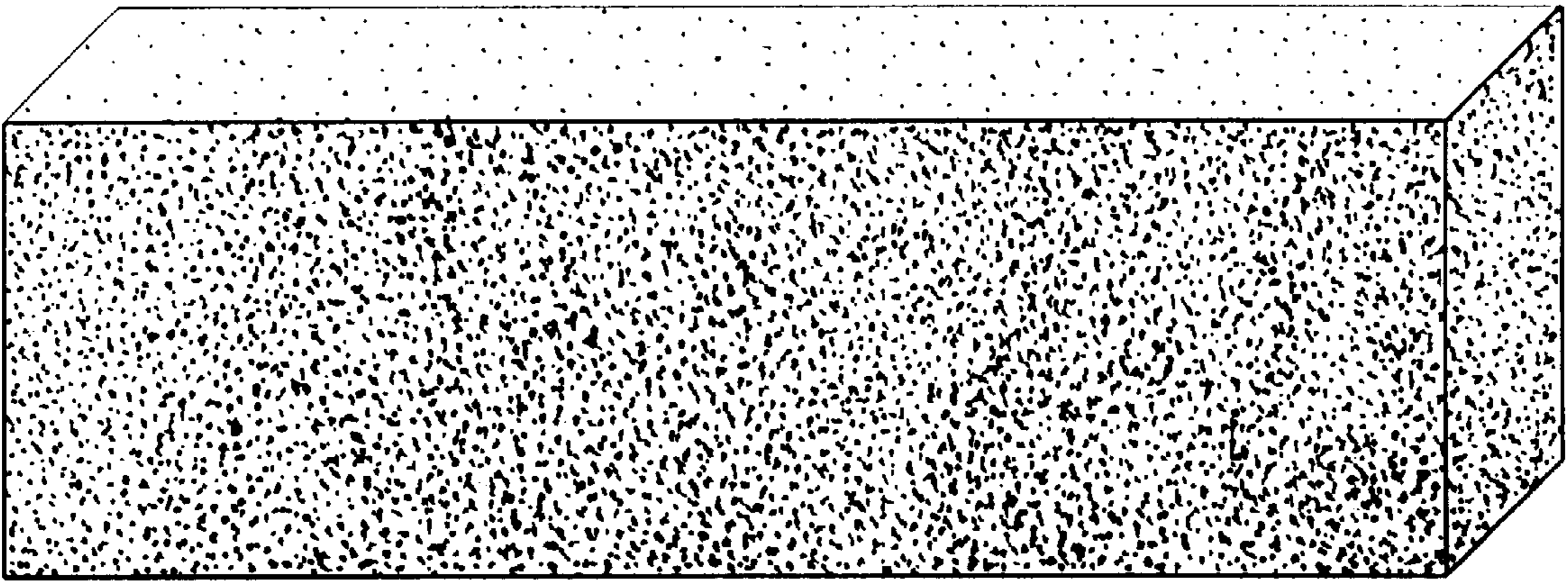


Fig. 6

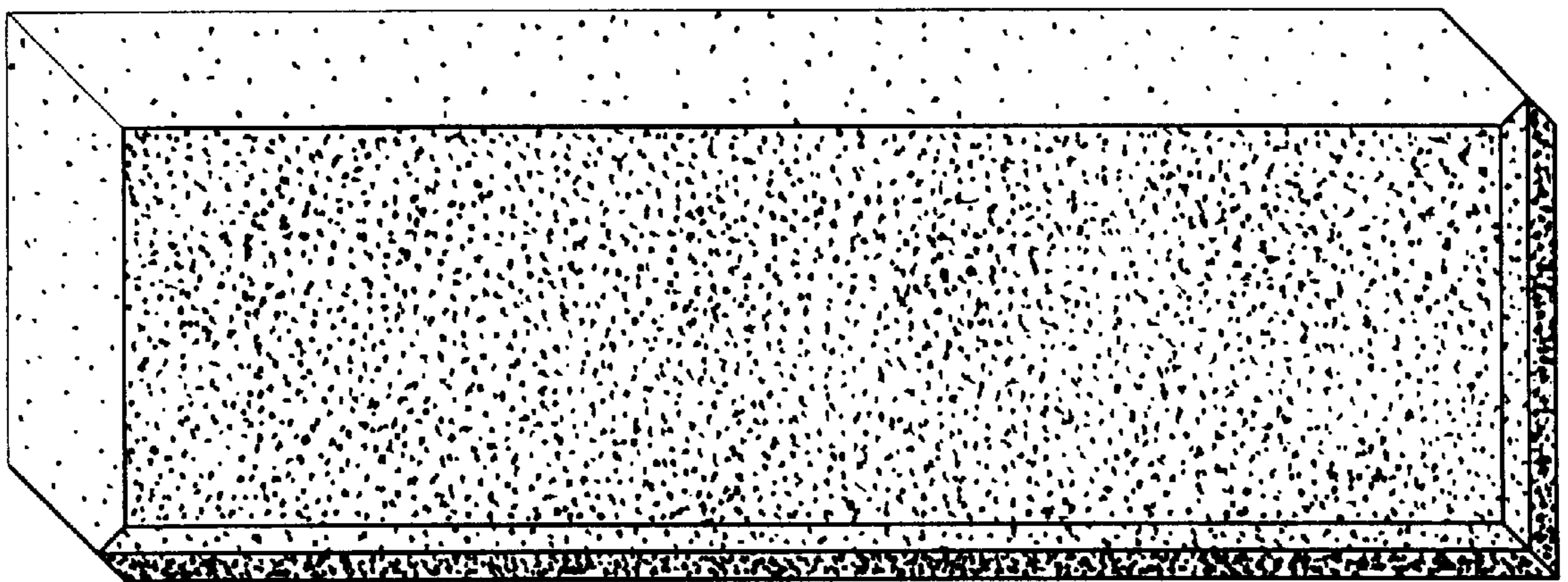


Fig. 7

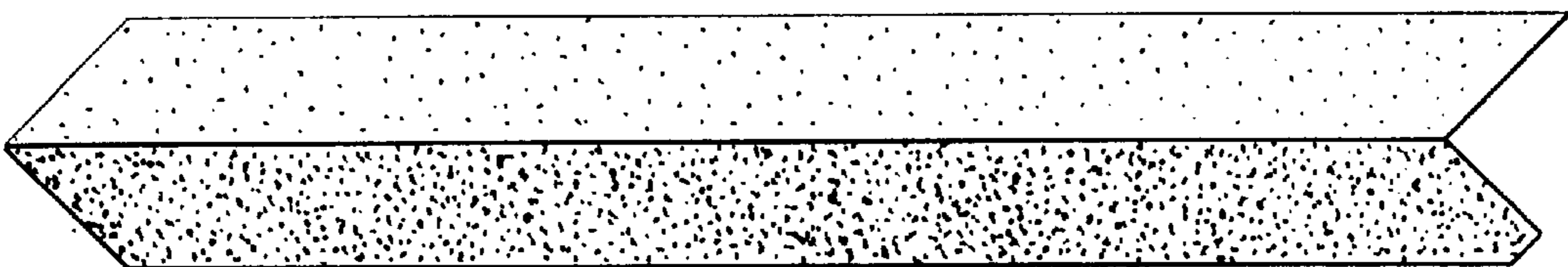


Fig. 8

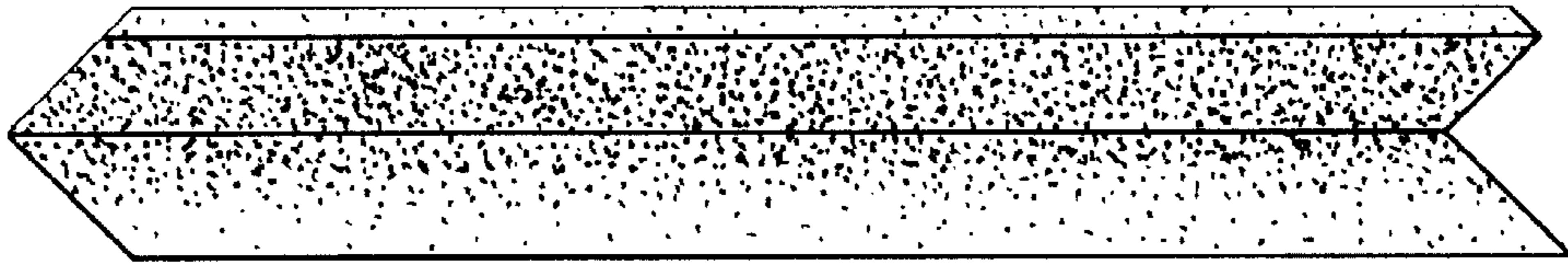


Fig. 9

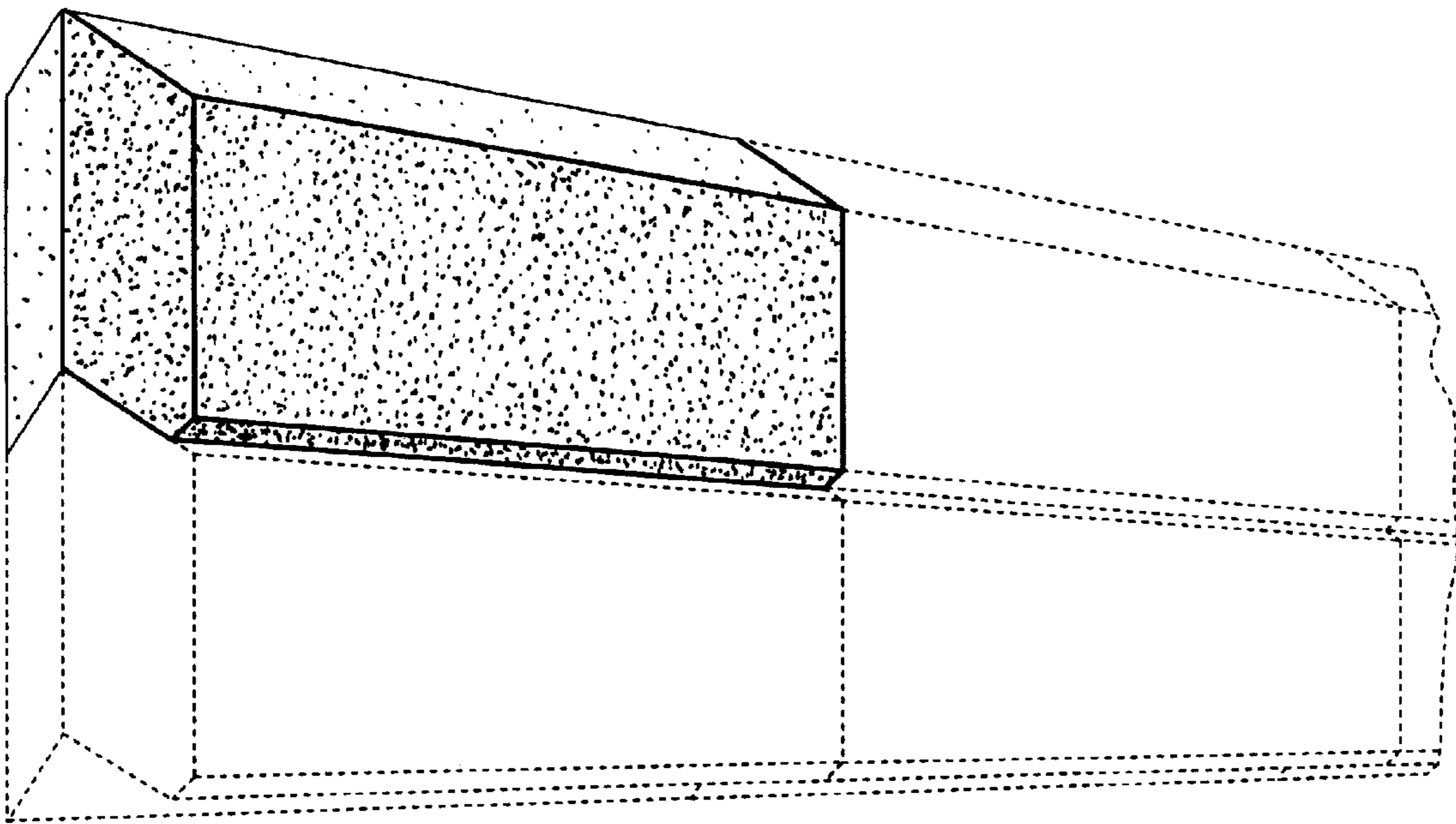


Fig. 10

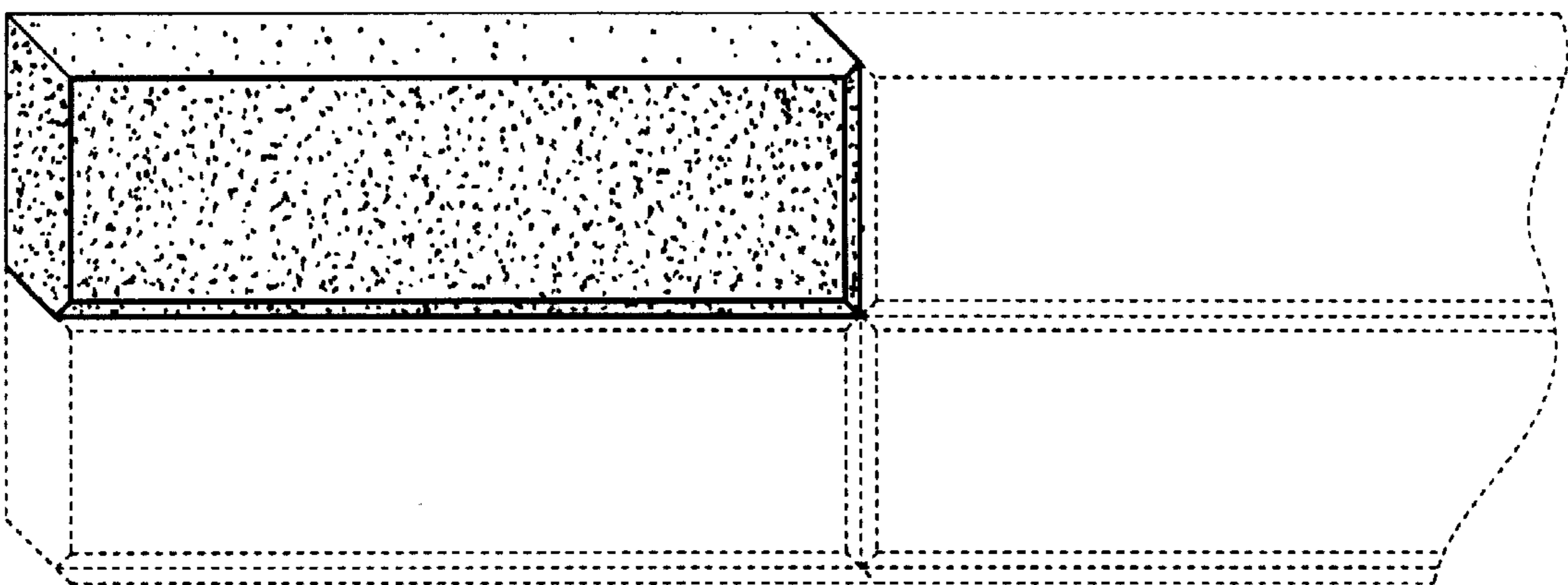


Fig. 11

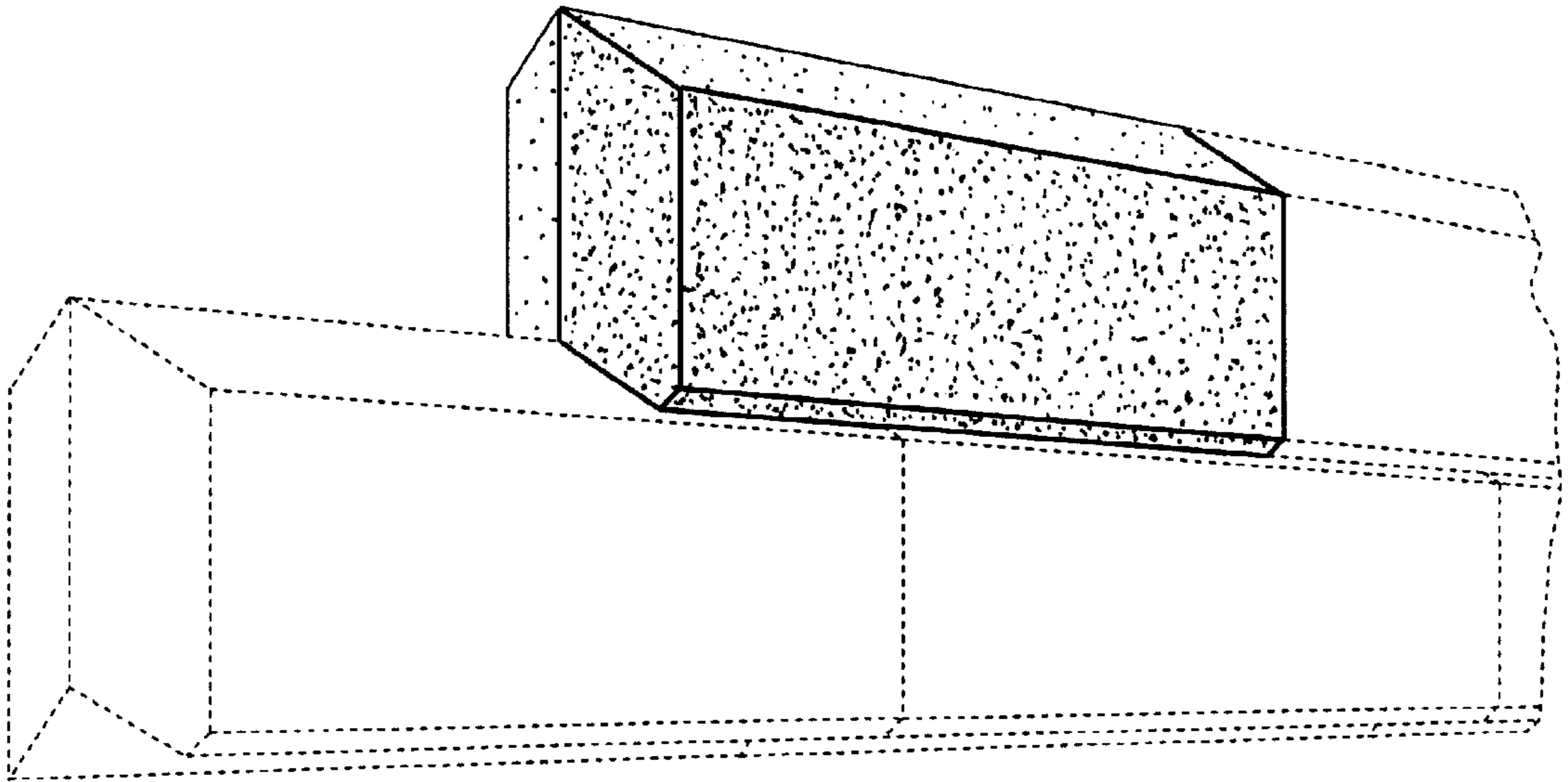


Fig. 12

