



US00D447818B1

(12) **United States Design Patent**
Weber

(10) **Patent No.:** **US D447,818 S**

(45) **Date of Patent:** **** Sep. 11, 2001**

(54) **LADDER ACCESSORY TRAY**

5,673,885	10/1997	Pham	248/210
5,855,346	1/1999	Hall	248/210
5,913,380	6/1999	Gugel et al.	182/129

(76) Inventor: **Jonathon Weber**, 2753 Birchwood Dr.,
Waterford, MI (US) 48329-3494

(**) Term: **14 Years**

* cited by examiner

(21) Appl. No.: **29/119,226**

Primary Examiner—Doris Clark
(74) *Attorney, Agent, or Firm*—Bliss McGlynn & Nolan,
PC

(22) Filed: **Feb. 25, 2000**

(57) **CLAIM**

(51) **LOC (7) Cl.** **25-04**

The ornamental design for a ladder accessory tray, as shown
and described.

(52) **U.S. Cl.** **D25/68**

(58) **Field of Search** D25/68; 248/238,
248/210; 182/129

DESCRIPTION

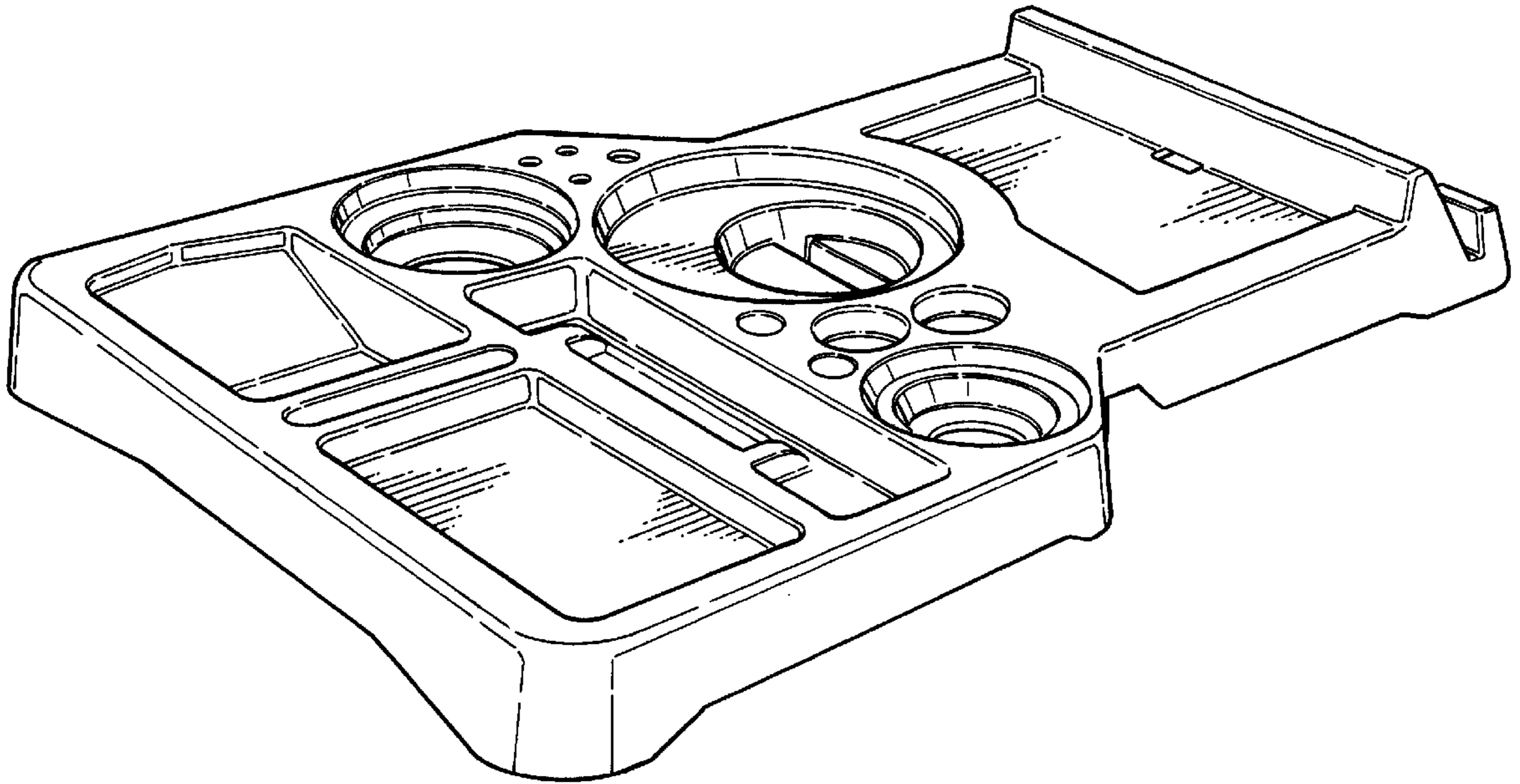
(56) **References Cited**

FIG. 1 is a perspective view of the ladder accessory tray
design of the present invention;
FIG. 2 is a front view thereof;
FIG. 3 is a top view thereof;
FIG. 4 is a right side view thereof;
FIG. 5 is a rear view thereof;
FIG. 6 is a left side view thereof; and,
FIG. 7 is a bottom view thereof.

U.S. PATENT DOCUMENTS

D. 340,291	*	10/1993	Bartnicki et al.	D25/68
D. 404,502		1/1999	Shanahan	D25/68
D. 413,990		9/1999	Bartnicki et al.	D25/68
5,031,723		7/1991	Hooten	182/129
5,052,581		10/1991	Christ et al.	220/570
5,079,795		1/1992	Schmid	15/257.06
5,191,954		3/1993	Ledford	182/129
5,370,263		12/1994	Brown	220/751

1 Claim, 4 Drawing Sheets



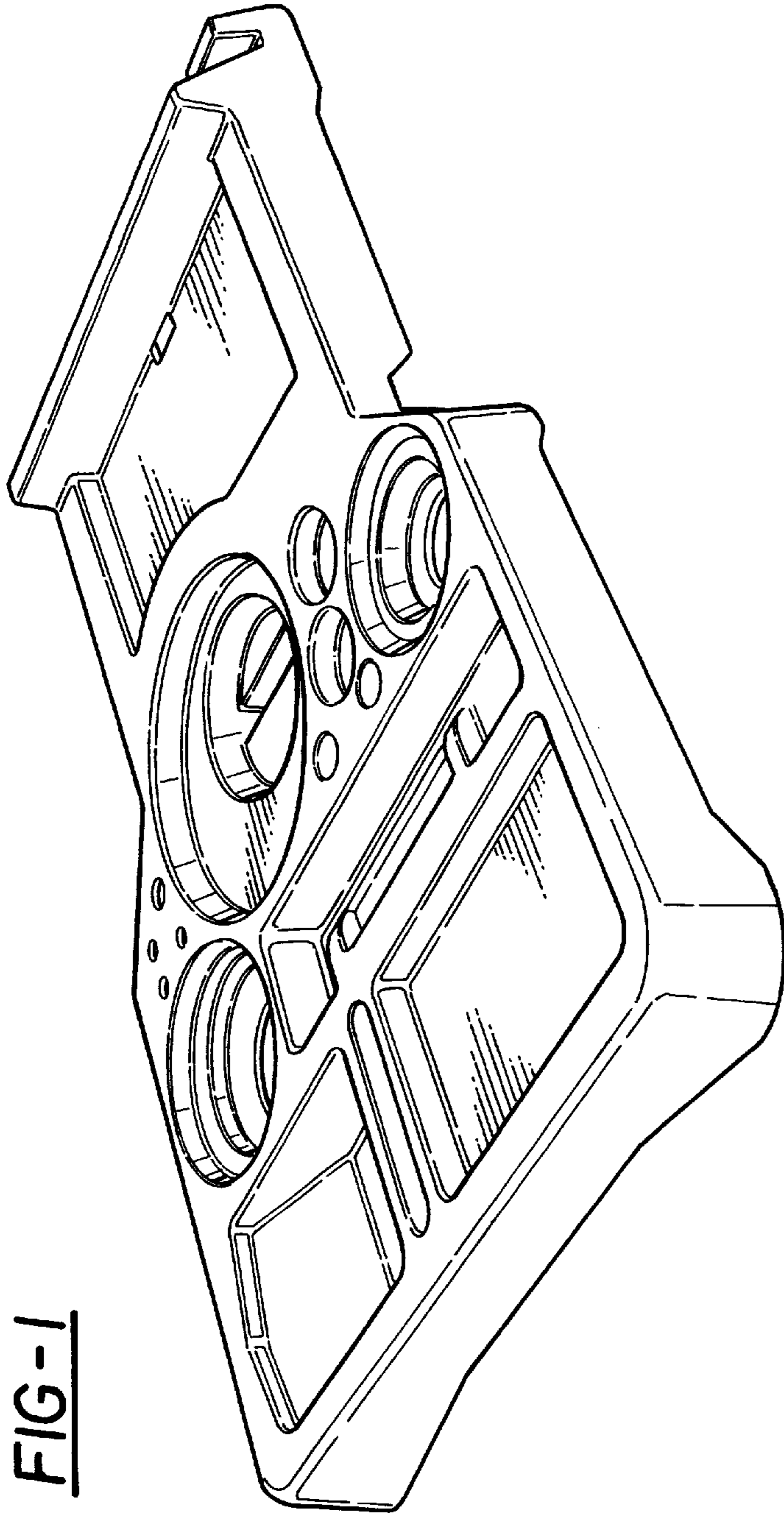


FIG-1

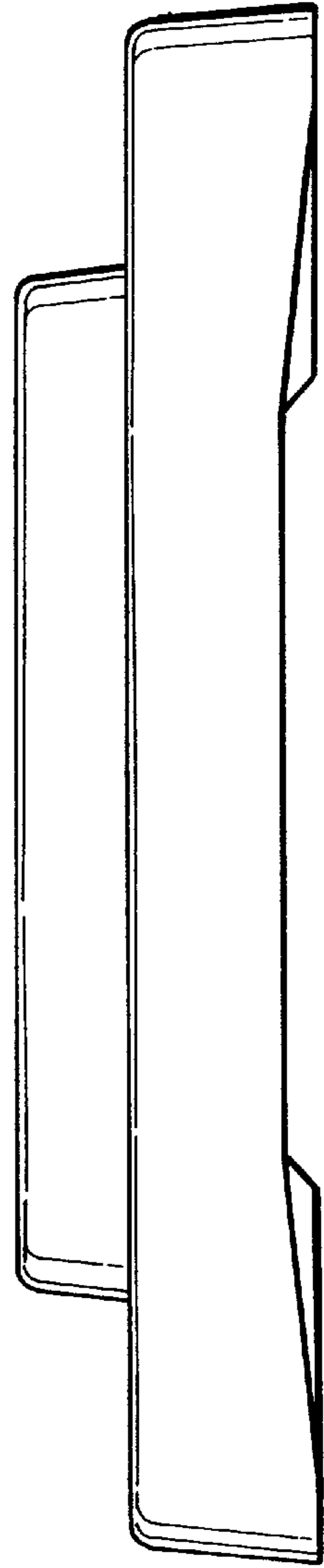


FIG-2

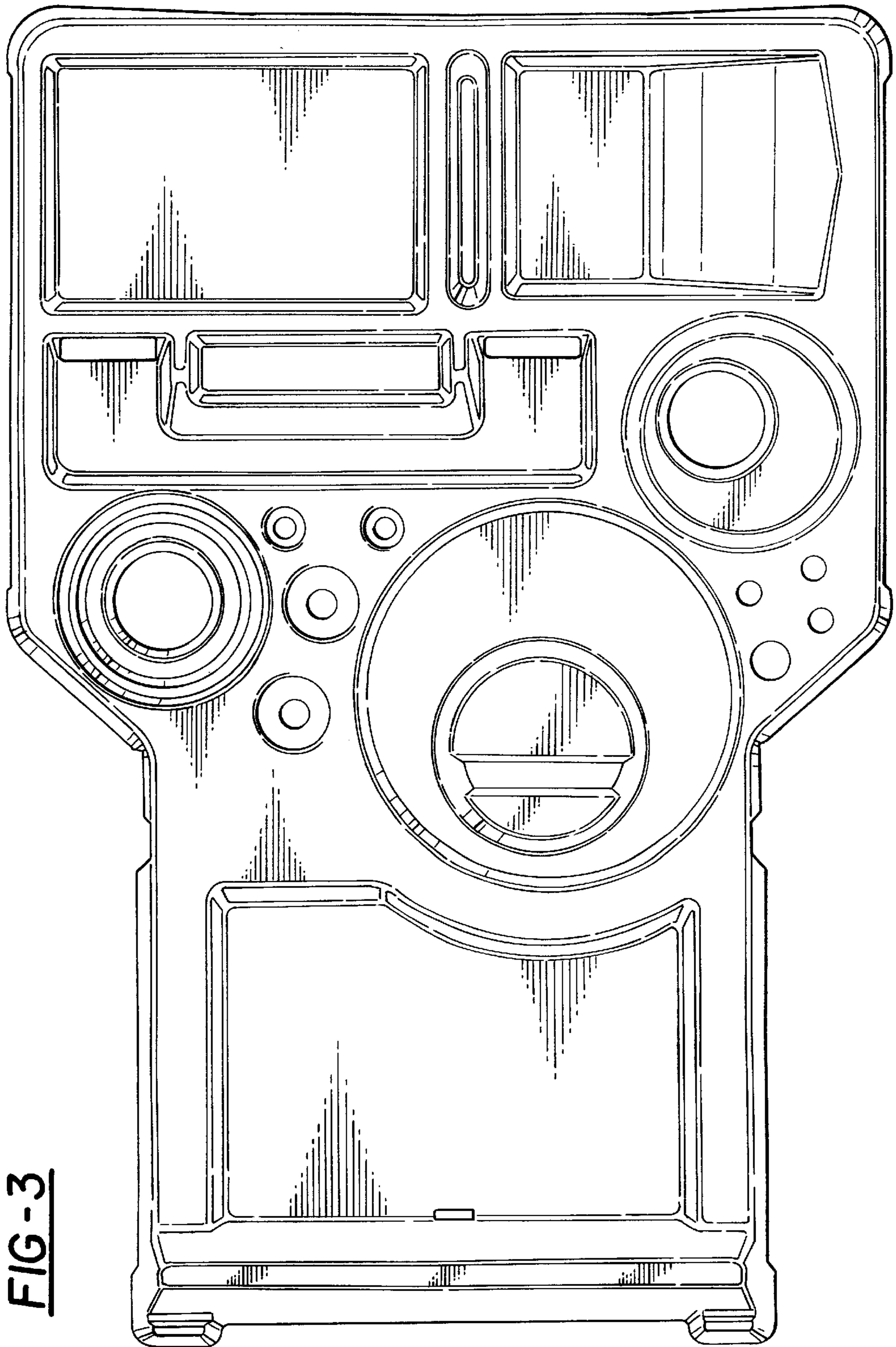


FIG-3

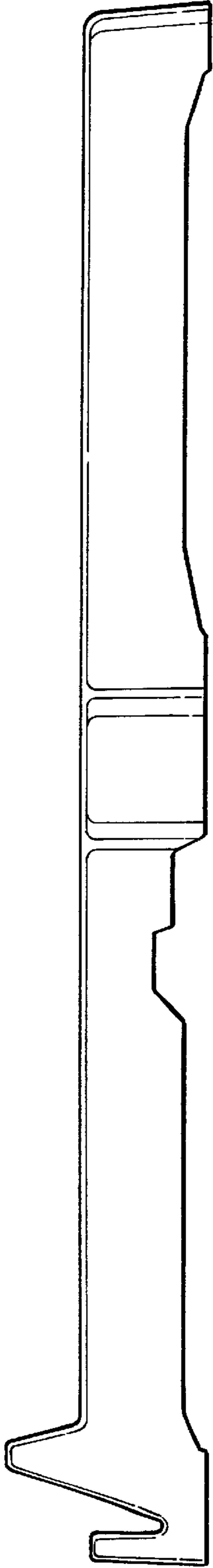


FIG-4

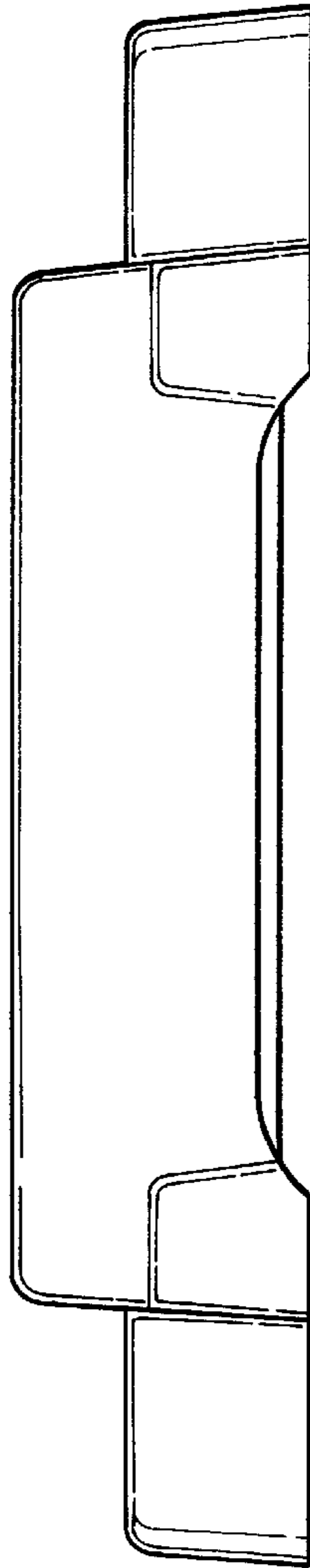


FIG-5

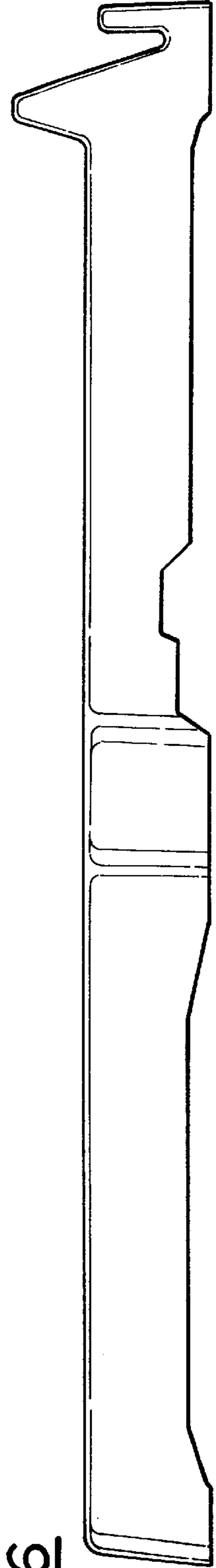


FIG-6

FIG-7

