



US00D447817B1

(12) **United States Design Patent**
Rosko

(10) **Patent No.:** **US D447,817 S**

(45) **Date of Patent:** **** Sep. 11, 2001**

(54) **STEP STOOL**

(75) **Inventor:** **Michael Scot Rosko**, Greenwood, IN
(US)

(73) **Assignee:** **Cosco Management, Inc.**, Wilmington,
DE (US)

(**) **Term:** **14 Years**

(21) **Appl. No.:** **29/127,736**

(22) **Filed:** **Aug. 11, 2000**

(51) **LOC (7) Cl.** **25-04**

(52) **U.S. Cl.** **D25/64; D25/65**

(58) **Field of Search** 182/152, 155,
182/156, 163, 179, 180, 20-26; D25/64,
65

(56) **References Cited**

U.S. PATENT DOCUMENTS

D. 189,419	*	12/1960	Bair	D25/64
D. 236,244	*	8/1975	Lay	D25/65
D. 387,878		12/1997	Jacques	.	
D. 388,882		1/1998	Kain	.	
D. 410,550		6/1999	Meyers	.	
D. 411,888		7/1999	King	.	
D. 414,566		9/1999	Gibson et al.	.	
D. 414,879		10/1999	Meyers	.	
4,502,564		3/1985	Kummerlin et al.	.	
5,503,245		4/1996	Etesam	.	
5,722,507		3/1998	Kain	.	

5,762,163	6/1998	Kain	.
5,937,968	8/1999	Gibson et al.	.
6,000,497	12/1999	Kain et al.	.
6,026,933	2/2000	King et al.	.
6,039,149	3/2000	Bedja et al.	.

OTHER PUBLICATIONS

Brochure entitled "Cosco Creating the Comforts of Home Home Furnishings 1991;" pp. 21-24.

Brochure entitled "Cosco 1995 Home Furnishings;" pp. 1-6.

Brochure entitled "Cosco A Dorel Company Home Furnishings 1996;" pp. 14-25.

* cited by examiner

Primary Examiner—Doris Clark

(74) *Attorney, Agent, or Firm*—Barnes & Thornburg

(57) **CLAIM**

The ornamental design for a step stool, as shown and described.

DESCRIPTION

FIG. 1 is a perspective view of a step stool showing my new design;

FIG. 2 is a front elevational view thereof;

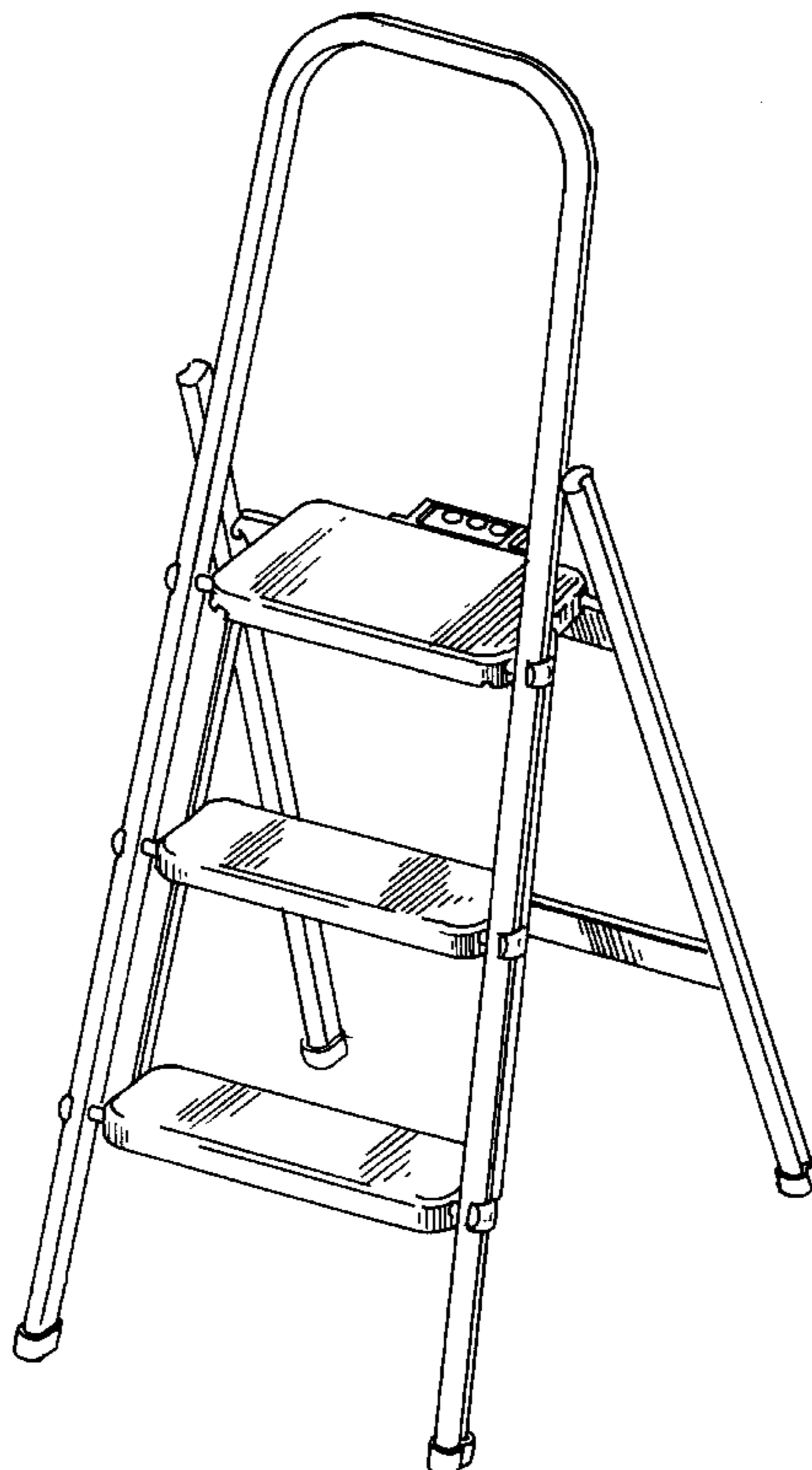
FIG. 3 is a right-side elevational view thereof, with the left-side elevational view being a mirror image thereof;

FIG. 4 is a rear elevational view thereof;

FIG. 5 is a top view thereof; and,

FIG. 6 is a bottom view thereof.

1 Claim, 6 Drawing Sheets



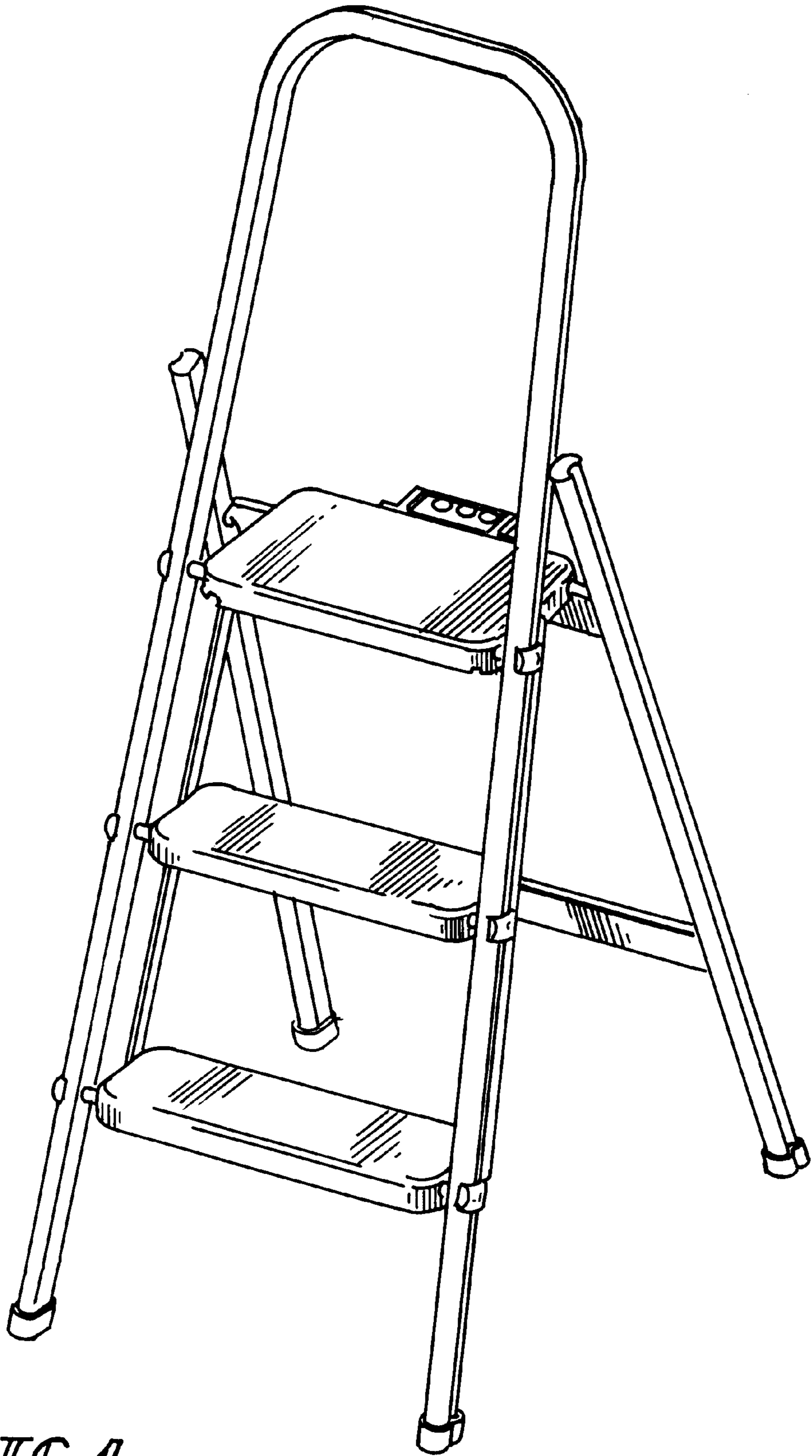


FIG. 1

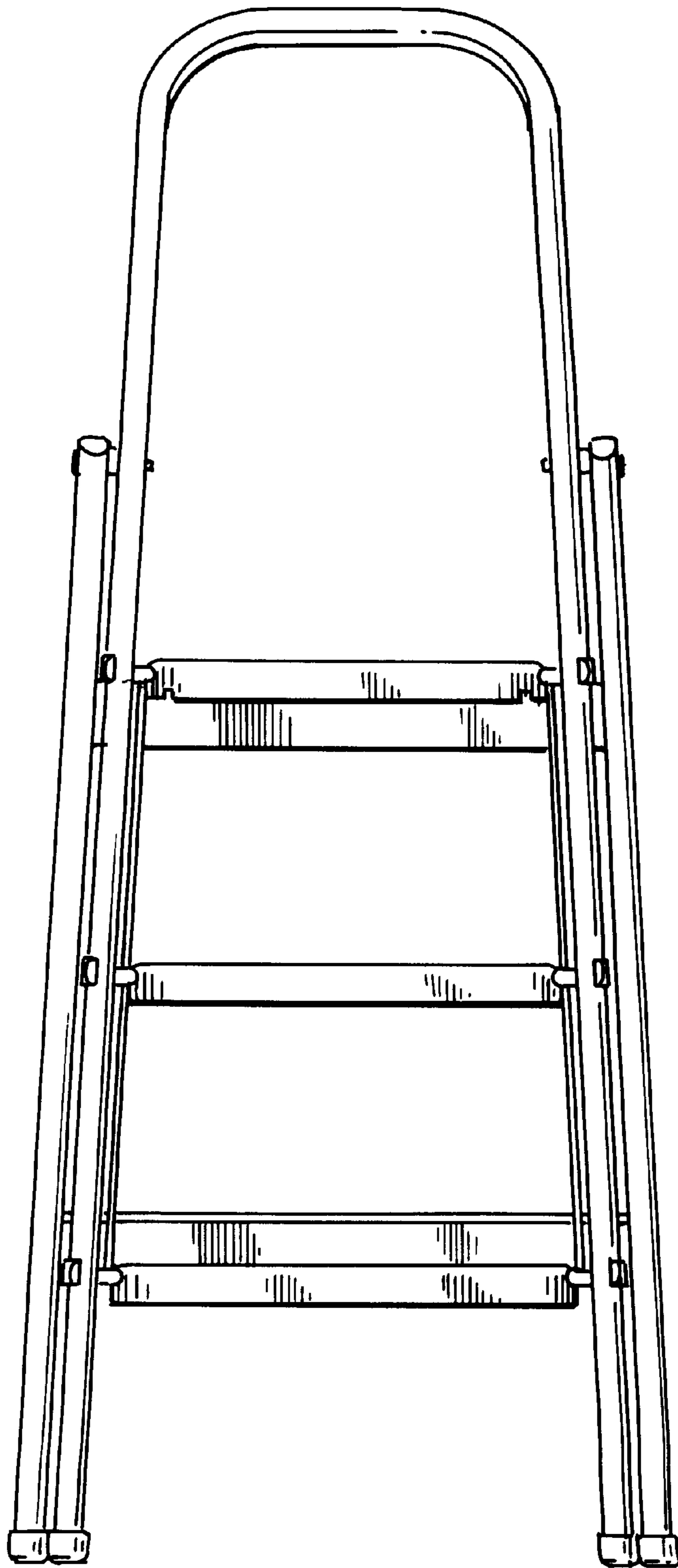
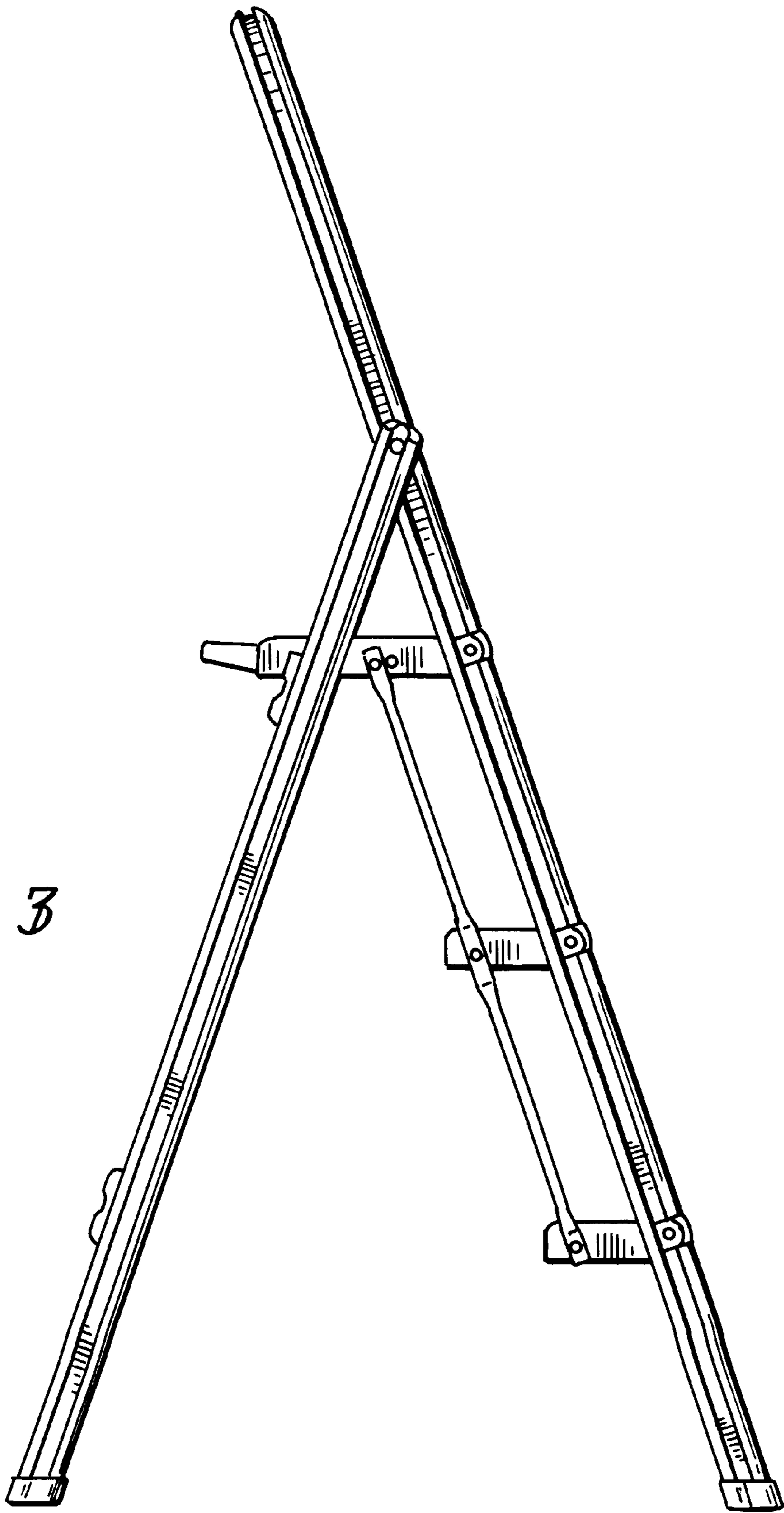


FIG. 2

FIG. 3



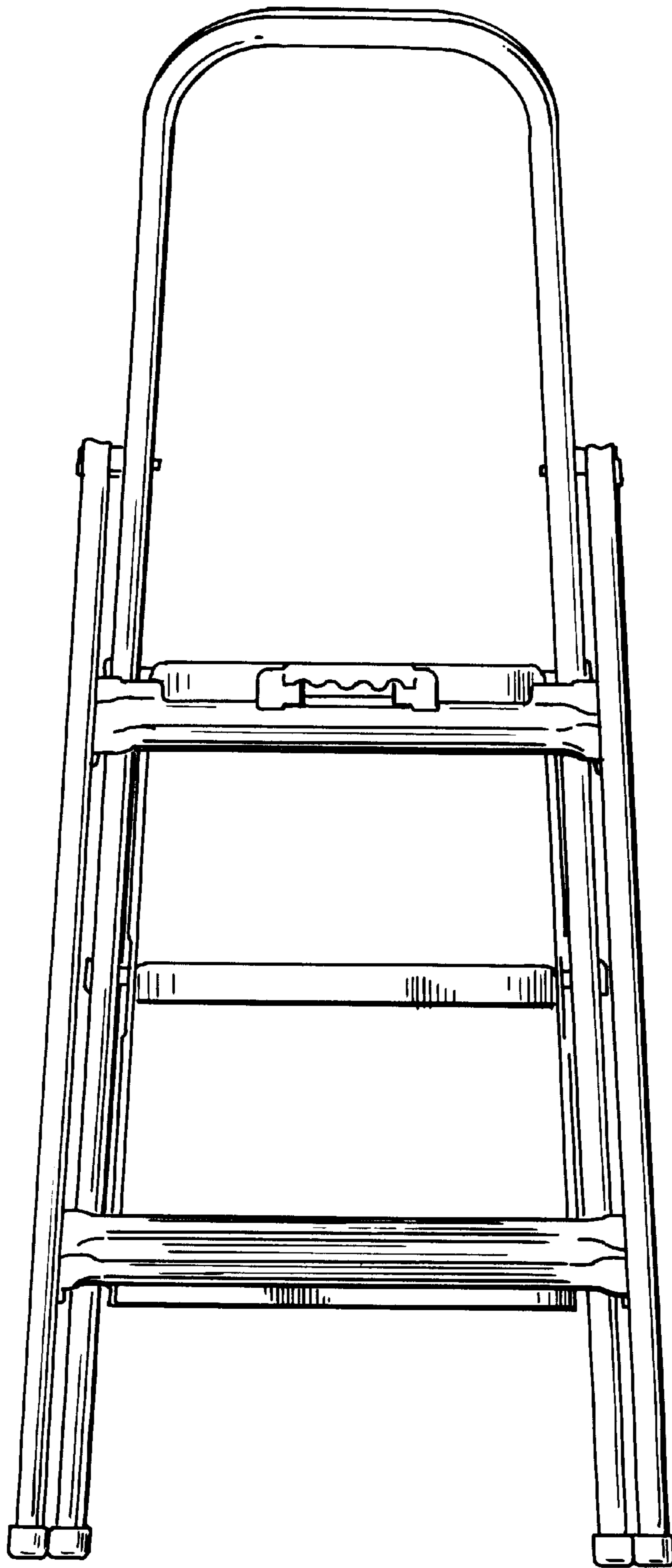


FIG. 4

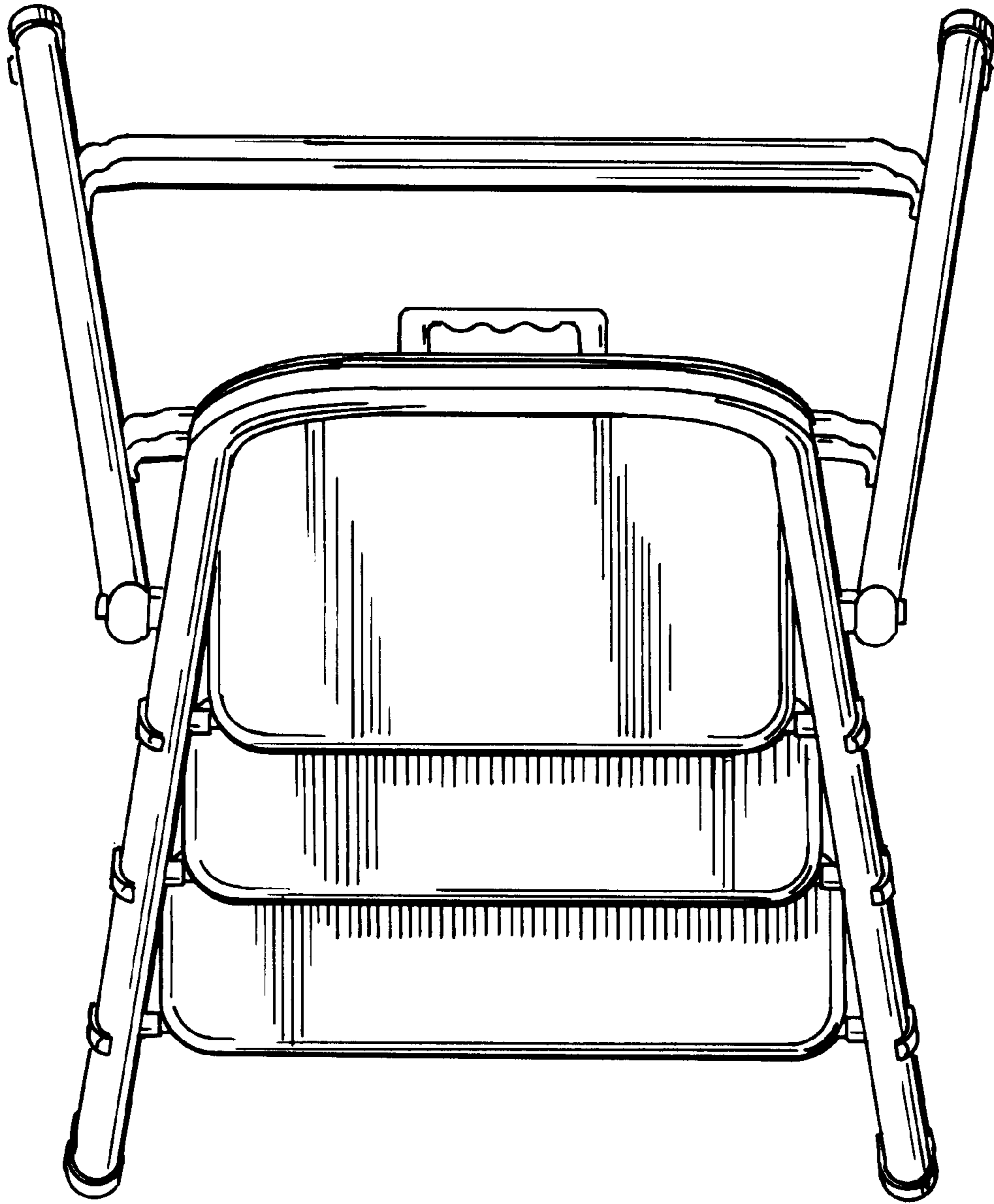


FIG. 5

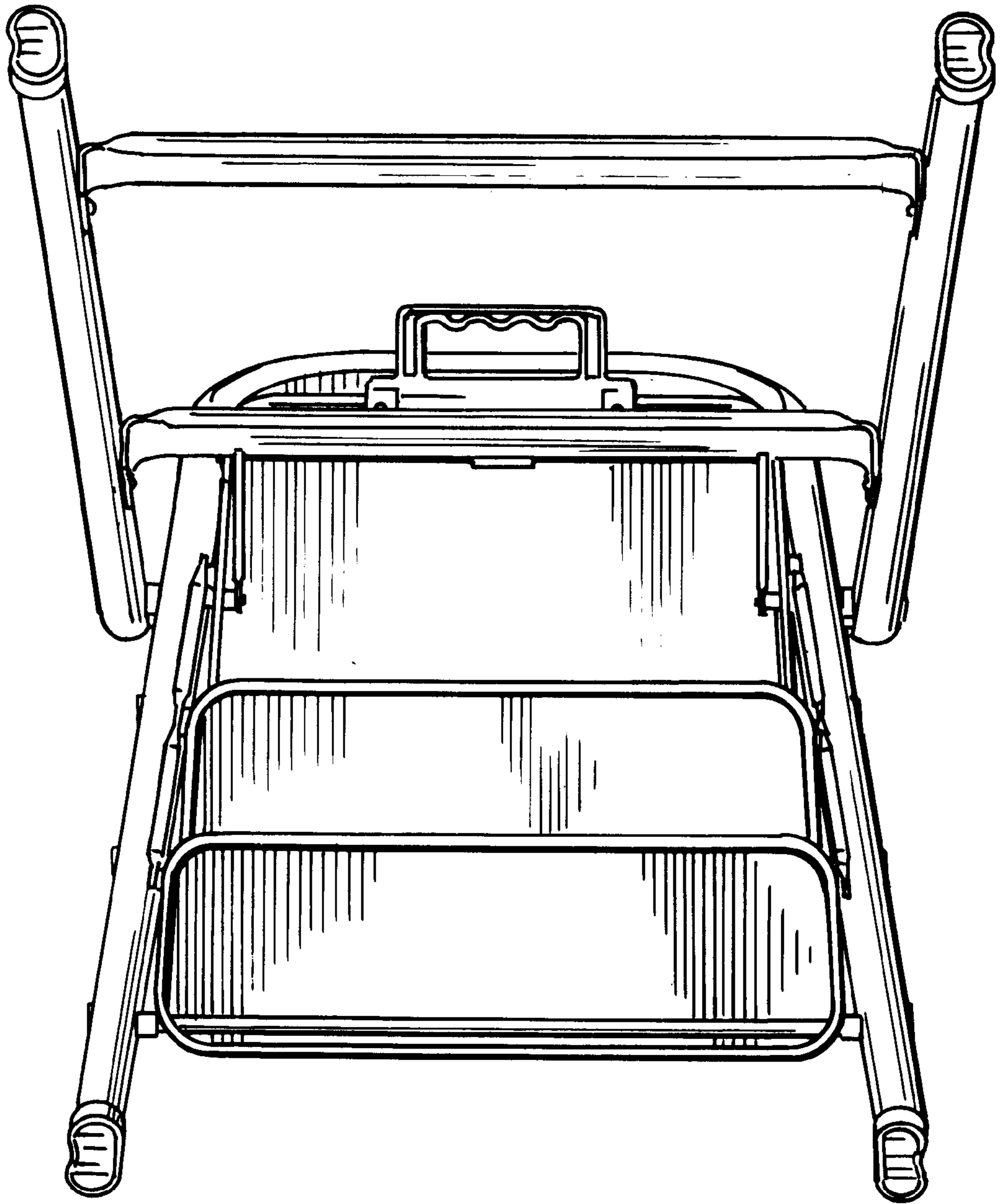


FIG. 6