



US00D447816B1

(12) **United States Design Patent**
O'Brien

(10) **Patent No.:** **US D447,816 S**

(45) **Date of Patent:** **** Sep. 11, 2001**

(54) **SERVICE STATION CANOPY RIM**

(75) Inventor: **Michael J. O'Brien**, Naperville, IL
(US)

(73) Assignee: **BP Amoco p.l.c.**, London (GB)

(**) Term: **14 Years**

(21) Appl. No.: **29/126,843**

(22) Filed: **Jul. 21, 2000**

(51) **LOC (7) Cl.** **25-02**

(52) **U.S. Cl.** **D25/56**

(58) **Field of Search** D25/56; 135/87,
135/88.01, 90, 121, 908, 115; 52/90.1,
91.1, 23

(56) **References Cited**

U.S. PATENT DOCUMENTS

D. 302,820	*	8/1989	Bass	D25/56
D. 402,771	*	12/1998	Broudy	D25/56
D. 403,083	*	12/1998	Poelvoorde et al.	D25/56
3,143,827	*	8/1964	Showalter, Sr.	D25/56

OTHER PUBLICATIONS

Existing Amoco Station, Landor, Nov. 18, 1999.
BP Oil Europe Mobile Network Reimaging Level of Treatment, M1/1R, Dec. 1996.

BP Oil Retail Visual Standards, Level 1, revised 1998.
BP Oil Retail Visual Standards, Level 2, revised 1998.
BP Oil Retail Visual Standards, Level 4, revised 1998.
BP Oil Europe Mobile Network Reimaging Level Of Treatment, M5. Dec. 1996.

* cited by examiner

Primary Examiner—Doris Clark

(74) *Attorney, Agent, or Firm*—Ekkehard Schoettle

(57) **CLAIM**

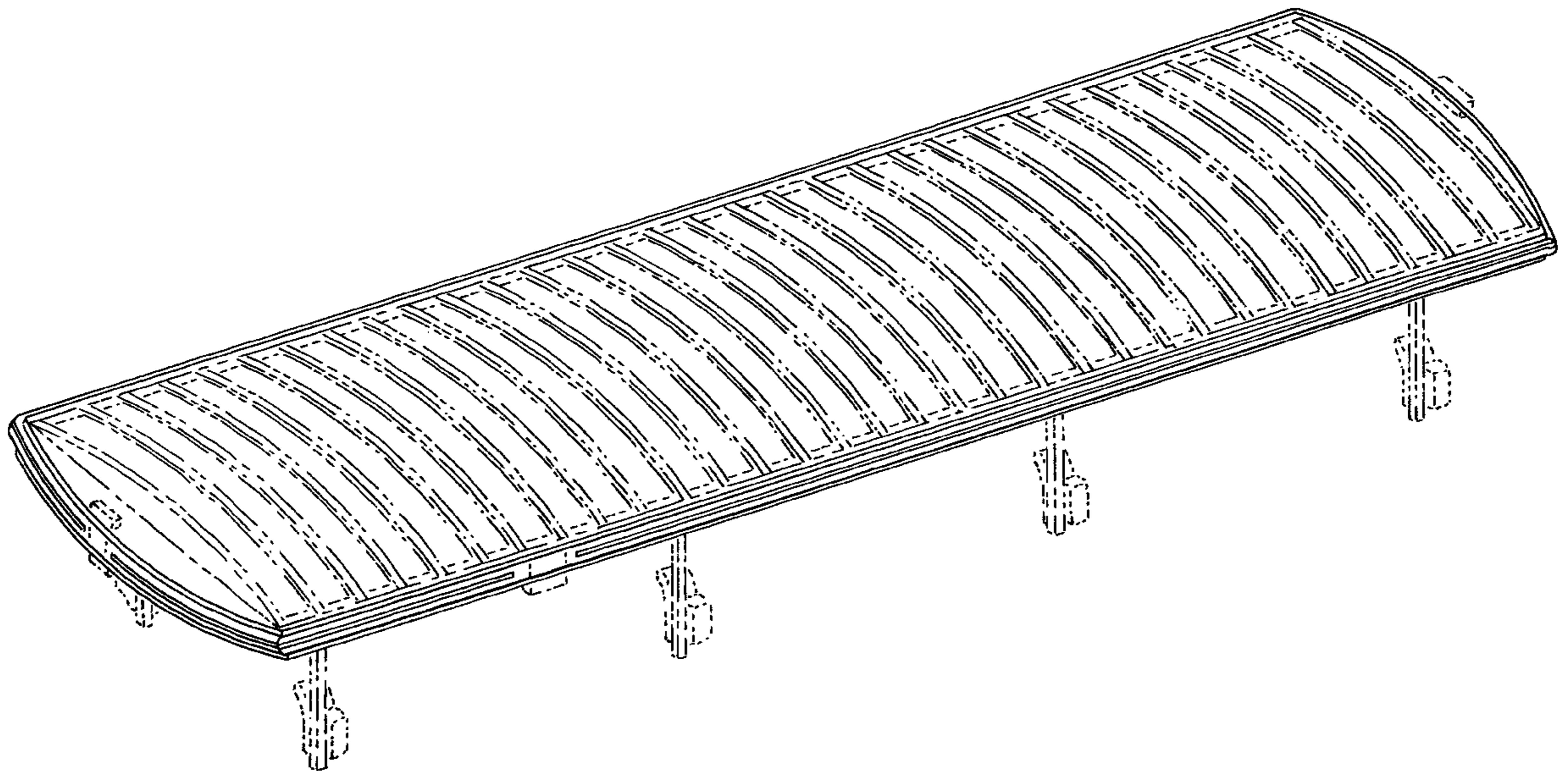
The ornamental design for a service station canopy rim, substantially as shown and described.

DESCRIPTION

FIG. 1 is a perspective view of a service station canopy rim in accordance with the present design;
FIG. 2 is a side elevational view of the service station canopy rim of FIG. 1;
FIG. 3 is a front elevational view of the service station canopy rim of FIG. 1;
FIG. 4 is a top plan view of the service station canopy rim of FIG. 1; and,
FIG. 5 is a bottom plan view of the service station canopy rim of FIG. 1.

The broken lines are for illustrative purposes only and form no part of the claimed design.

1 Claim, 3 Drawing Sheets



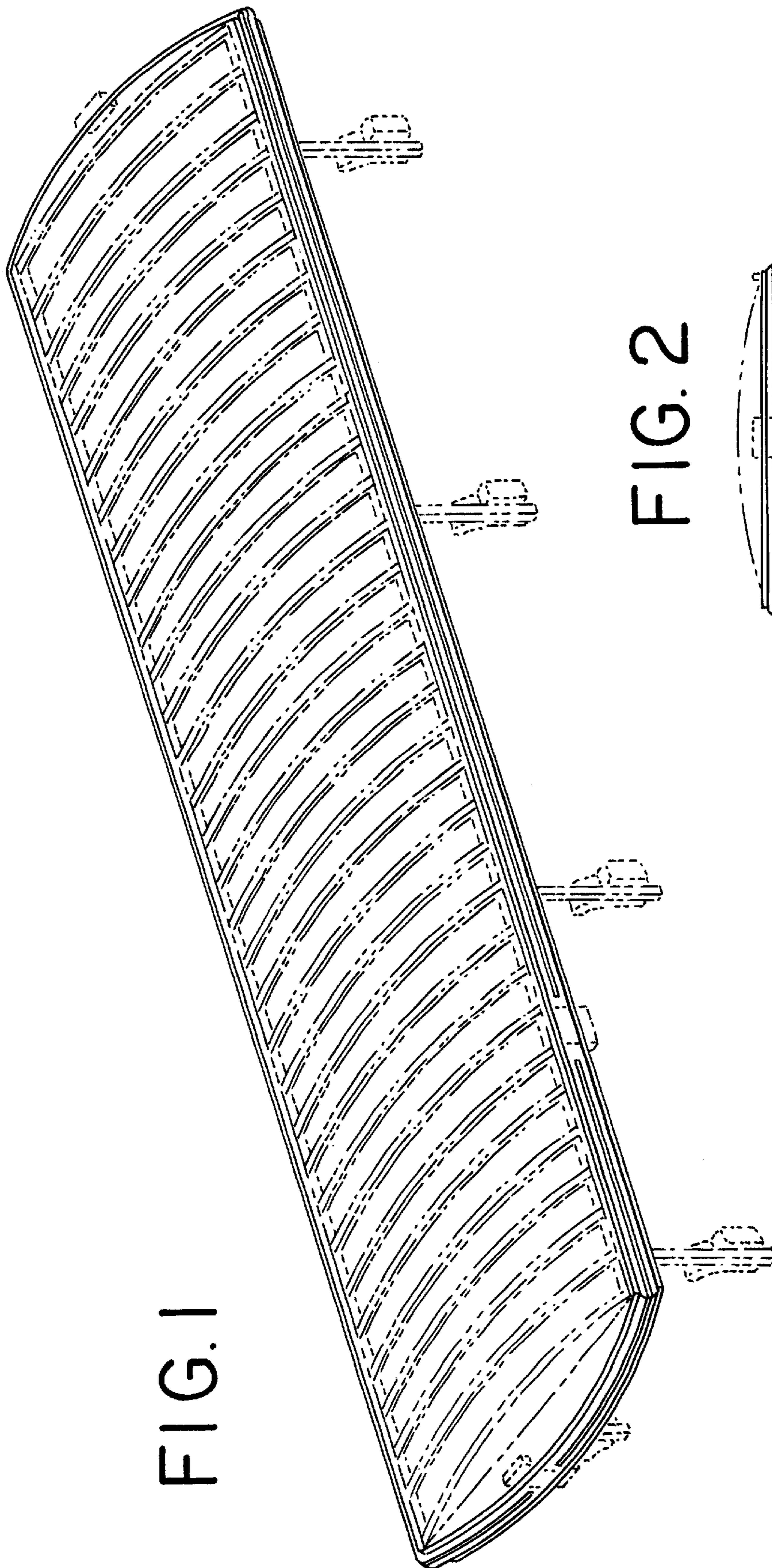


FIG. 1

FIG. 2

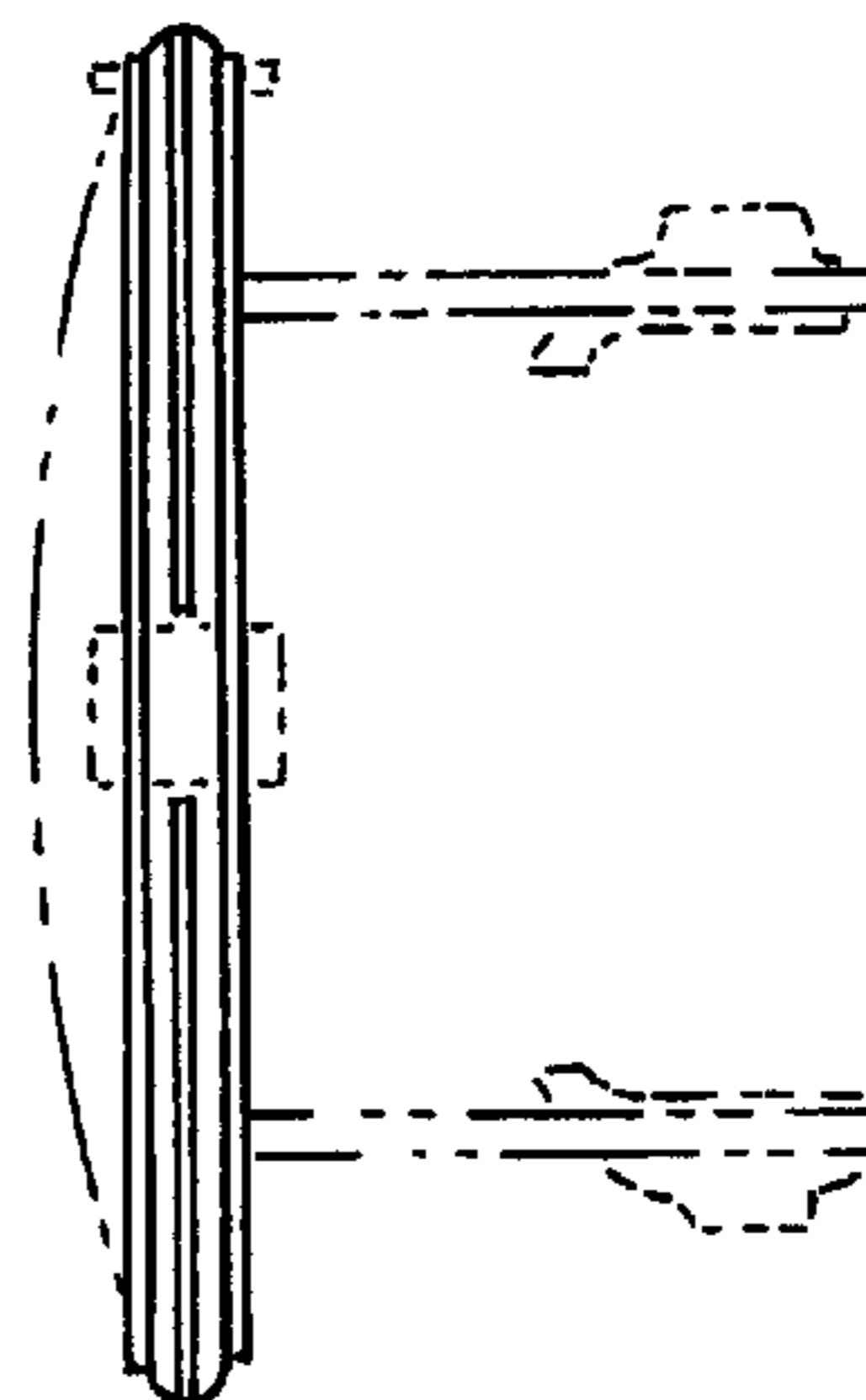


FIG. 3

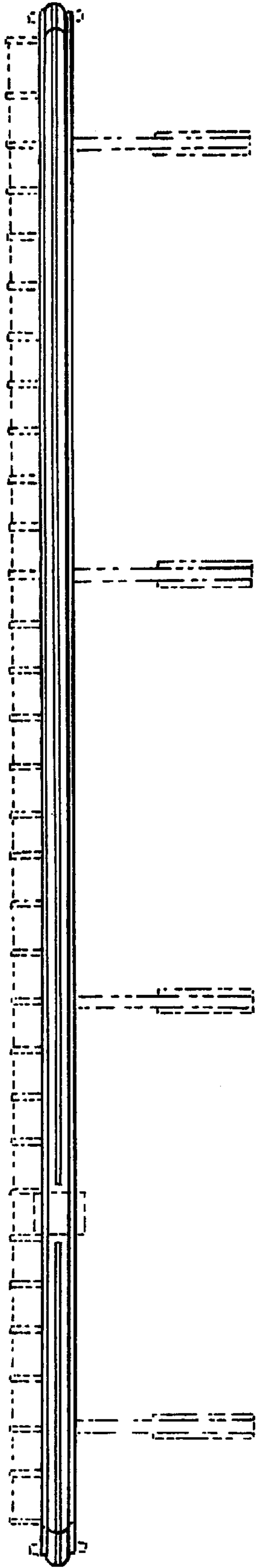


FIG. 4

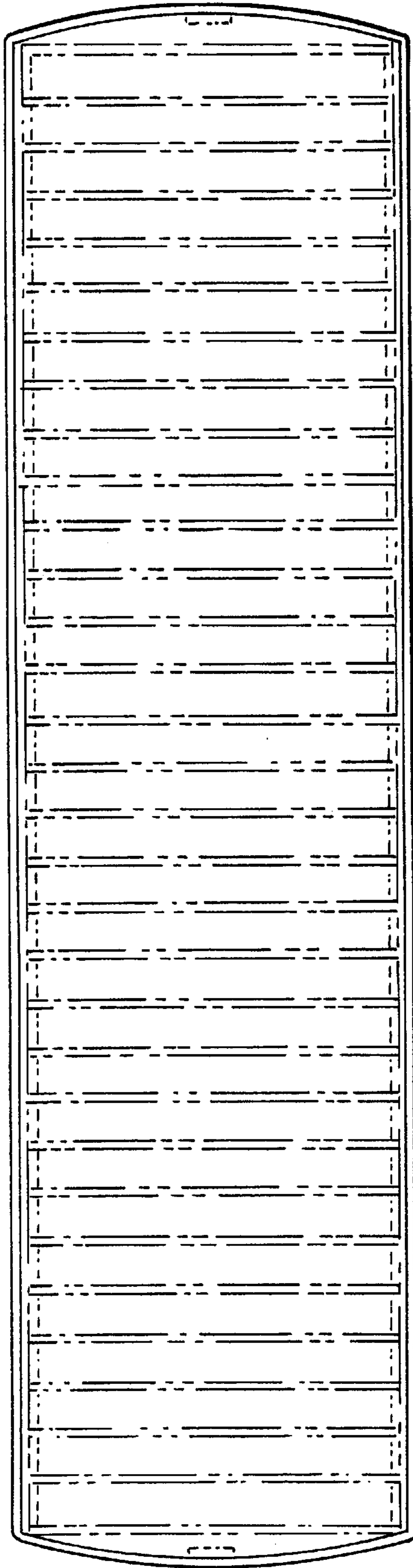


FIG. 5

