



US00D447815B1

(12) **United States Design Patent**  
**O'Brien**

(10) **Patent No.:** **US D447,815 S**

(45) **Date of Patent:** **\*\* Sep. 11, 2001**

(54) **SERVICE STATION CANOPY**

(75) Inventor: **Michael J. O'Brien**, Naperville, IL  
(US)

(73) Assignee: **BP Amoco p.l.c.**, London (GB)

(\*\*) Term: **14 Years**

(21) Appl. No.: **29/126,667**

(22) Filed: **Jul. 21, 2000**

(51) **LOC (7) Cl.** ..... **25-02**

(52) **U.S. Cl.** ..... **D25/56**

(58) **Field of Search** ..... D25/56; 135/87,  
135/88.01, 90, 121, 908, 115; 52/90.1,  
91.1, 23

(56) **References Cited**

**U.S. PATENT DOCUMENTS**

- D. 302,820 \* 8/1989 Bass ..... D25/56
- D. 402,771 \* 12/1998 Broudy ..... D25/56
- D. 403,083 \* 12/1998 Poelvoorde et al. .... D25/56
- 3,143,827 \* 8/1964 Showalter, Sr. .... D25/56

**OTHER PUBLICATIONS**

Existing Amoco Station, Landor, Nov. 18, 1999.  
BP Oil Europe Mobile Network Reimaging Level of Treatment, M1/1R, M5, Dec. 1996.

BP Oil Retail Visual Standards, Level 1, revised 1998.  
BP Oil Retail Visual Standards, Level 2, revised 1998.

\* cited by examiner

*Primary Examiner*—Doris Clark

(74) *Attorney, Agent, or Firm*—Ekkehard Schoettle

(57) **CLAIM**

The ornamental design for a service station canopy, substantially as shown and described.

**DESCRIPTION**

FIG. 1 is a perspective view of a service station canopy in accordance with the present design;

FIG. 2 is a side elevational view of the service station canopy of FIG. 1;

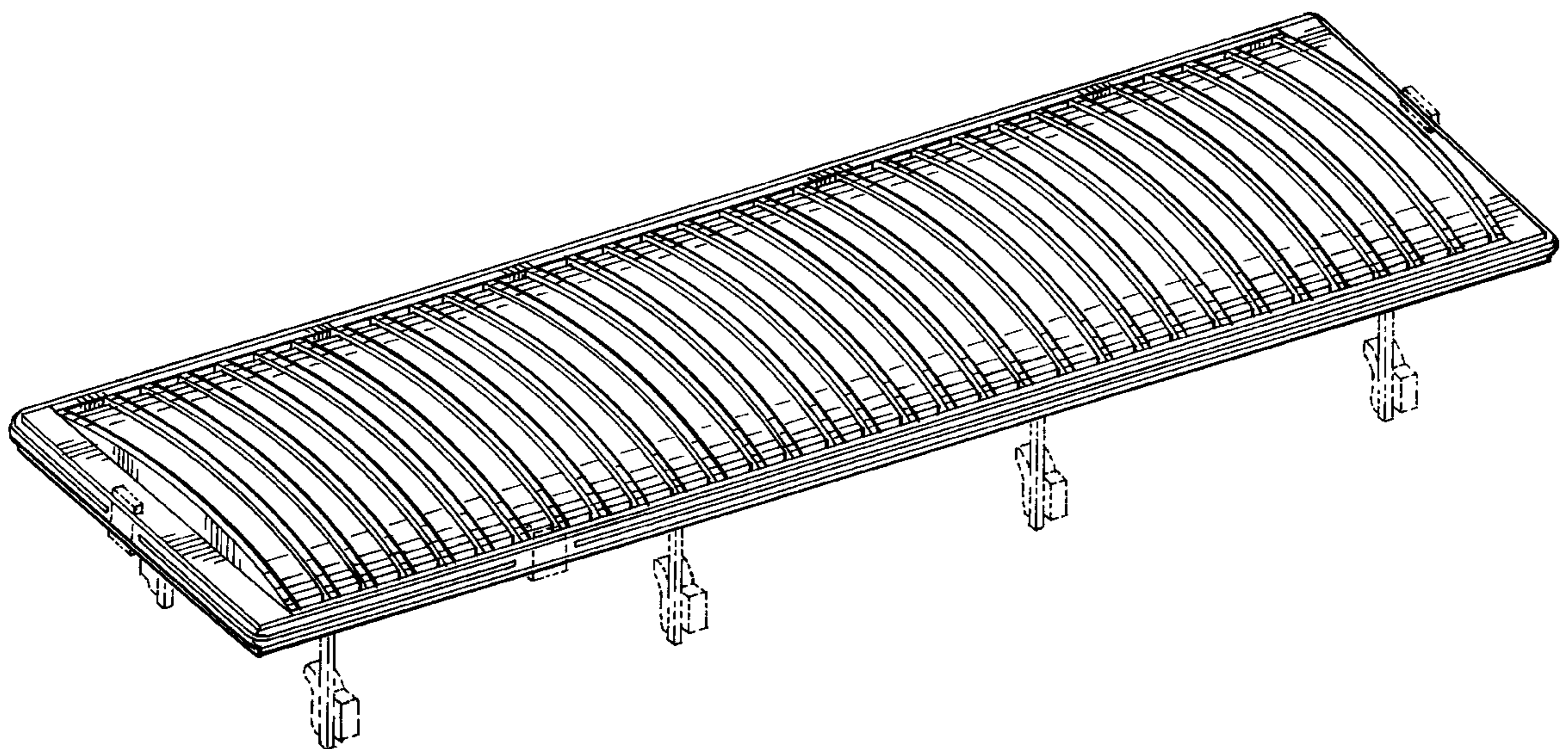
FIG. 3 is a front elevational view of the service station canopy of FIG. 1;

FIG. 4 is a top plan view of the service station canopy of FIG. 1; and,

FIG. 5 is a bottom plan view of the service station canopy of FIG. 1.

The broken lines are for illustrative purposes only and form no part of the claimed design.

**1 Claim, 3 Drawing Sheets**



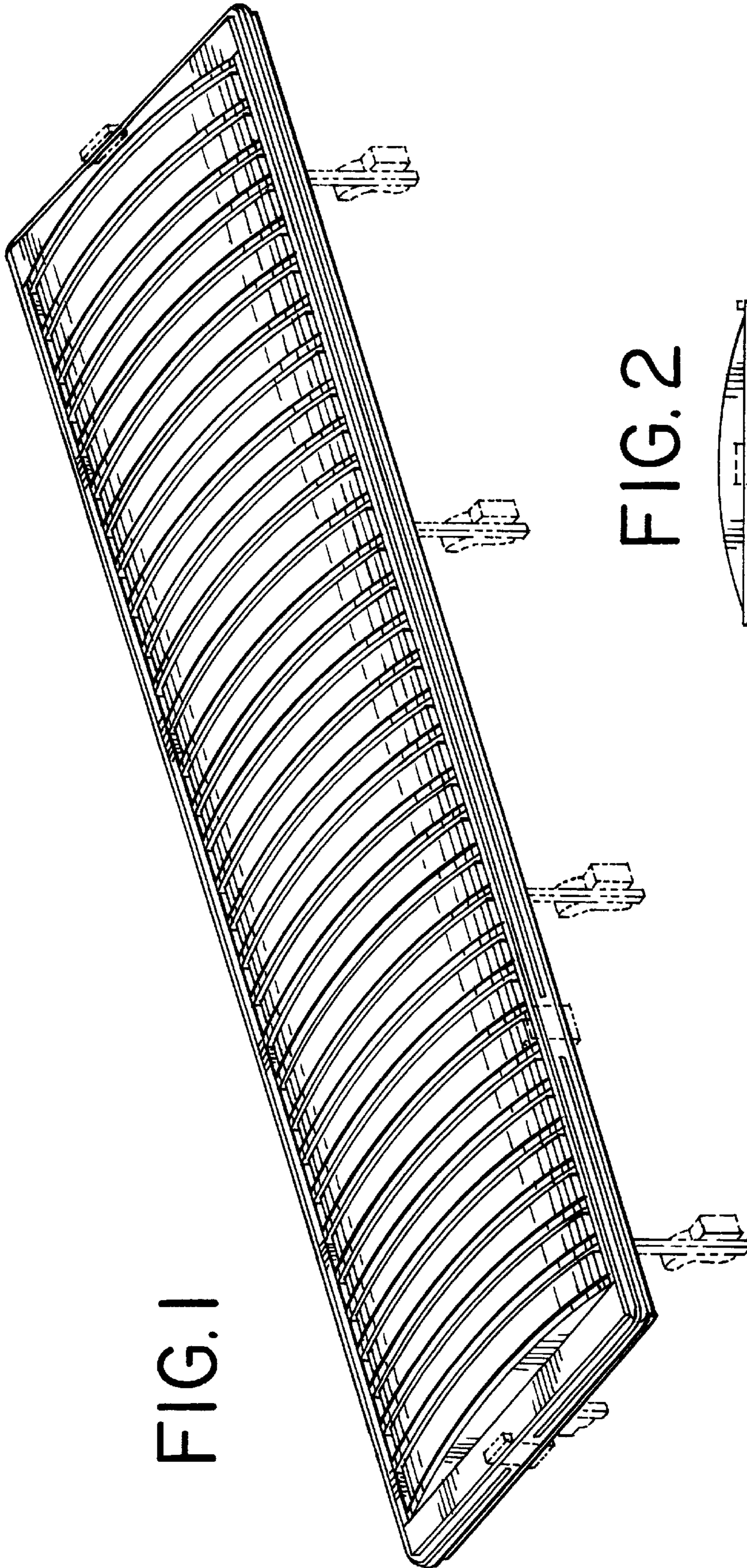


FIG. 1

FIG. 2

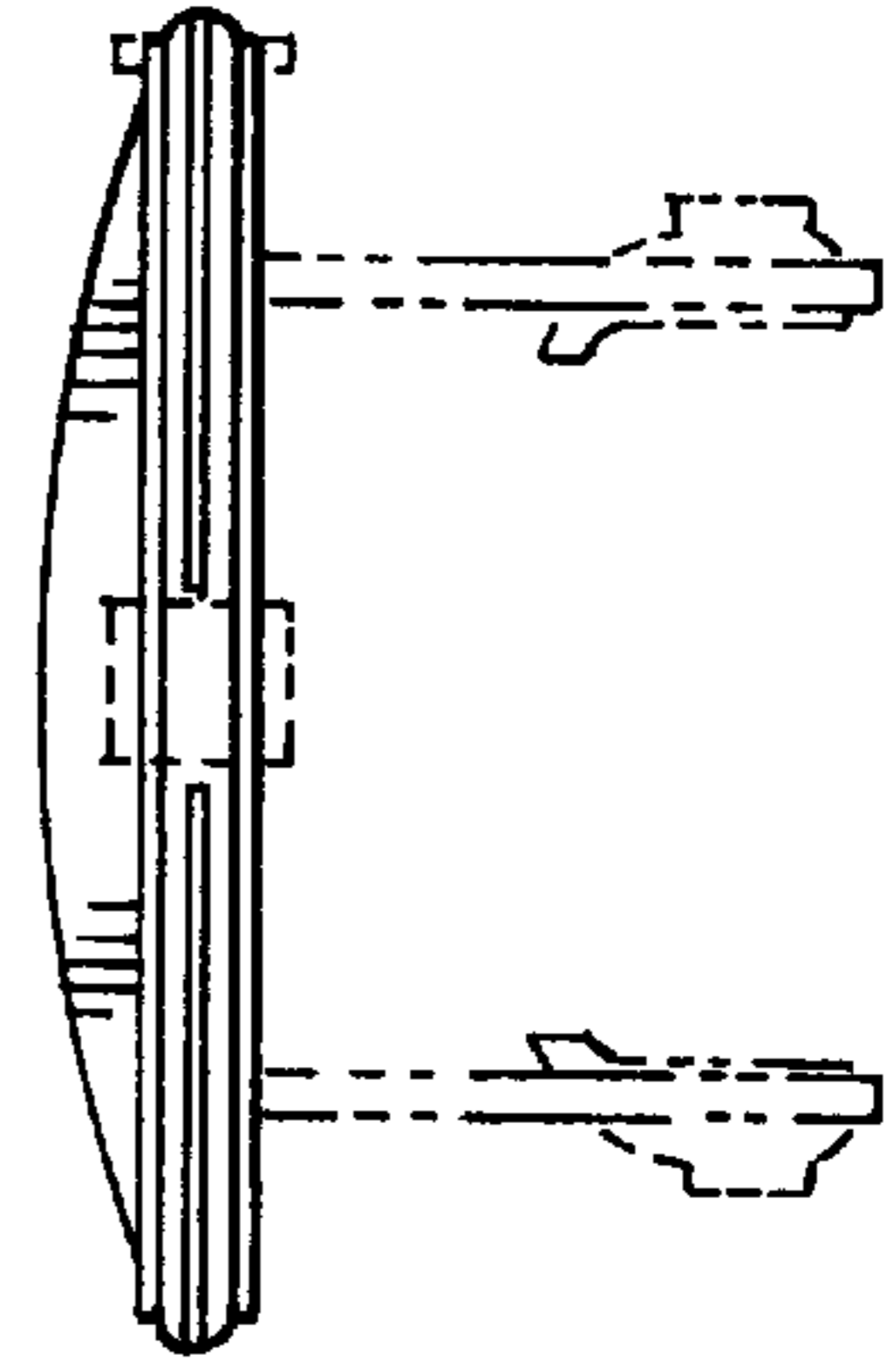




FIG.3

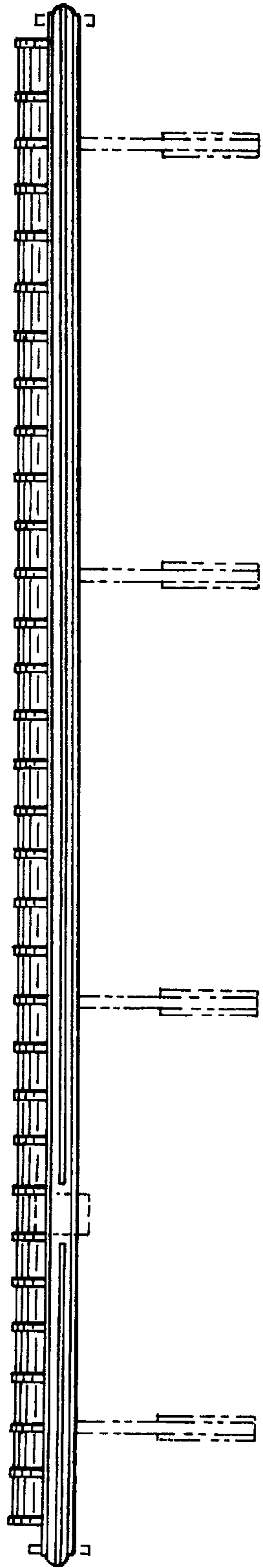


FIG.4

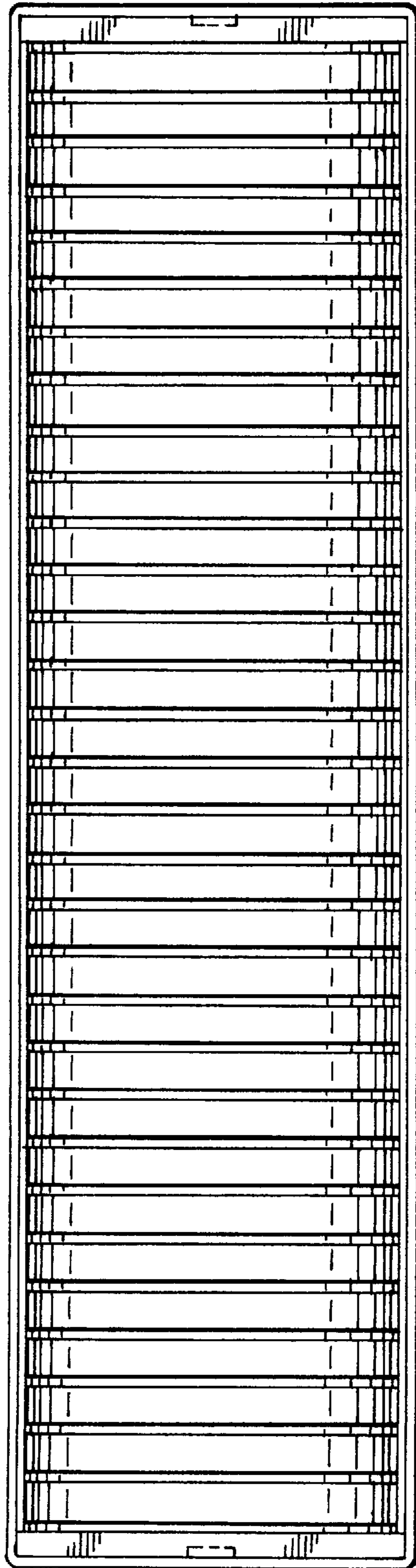


FIG. 5

