



US00D447813B1

(12) **United States Design Patent**
Else

(10) **Patent No.:** **US D447,813 S**

(45) **Date of Patent:** **** Sep. 11, 2001**

(54) **ICE RINK COVER**

(75) Inventor: **Robert Arthur Else**, Castle Donington (GB)

(73) Assignee: **Terraplas Plc**, Castle Donington (GB)

(**) Term: **14 Years**

(21) Appl. No.: **29/115,173**

(22) Filed: **Dec. 9, 1999**

(51) **LOC (7) Cl.** **25-03**

(52) **U.S. Cl.** **D25/2**

(58) **Field of Search** 472/88, 89, 90, 472/91; D25/2; 52/71, 309.8; 4/506, 498

(56) **References Cited**

U.S. PATENT DOCUMENTS

D. 411,015	*	6/1999	Hinsperger	D25/2
2,912,703	*	11/1959	Murphy	4/506
5,364,204		11/1994	MacLeod	.	

* cited by examiner

Primary Examiner—Doris Clark

(74) *Attorney, Agent, or Firm*—Adams, Schwartz & Evans, P.A.

(57) **CLAIM**

The ornamental design for an ice rink cover, as shown and described.

DESCRIPTION

FIG. 1 is a top end and side perspective view of the ice rink cover.

FIG. 2 is a top plan view thereof.

FIG. 3 is a side elevational view thereof.

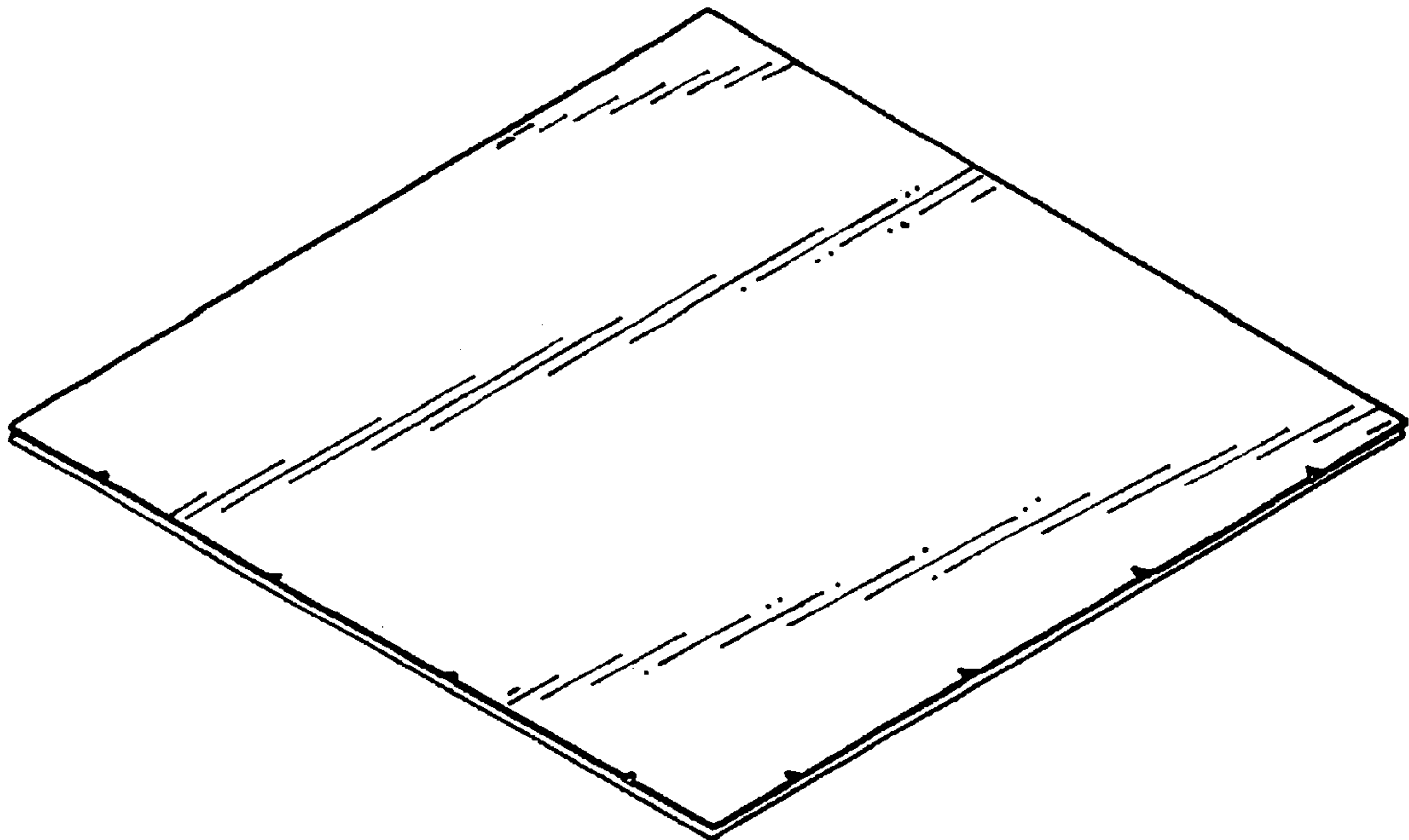
FIG. 4 is a bottom plan view thereof.

FIG. 5 is a bottom plan view illustrating the area of views 7 and 8; as well as sectional lines for FIG. 6.

FIG. 6 is a cross-sectional view taken along line 6—6 of FIG. 5.

FIG. 7 is an enlarged fragmented bottom perspective view of area 7/8 shown in FIG. 5, with the top cover removed; and, FIG. 8 is an enlarged fragmented top perspective view of area 7/8 shown in FIG. 5, with the top cover removed.

1 Claim, 5 Drawing Sheets



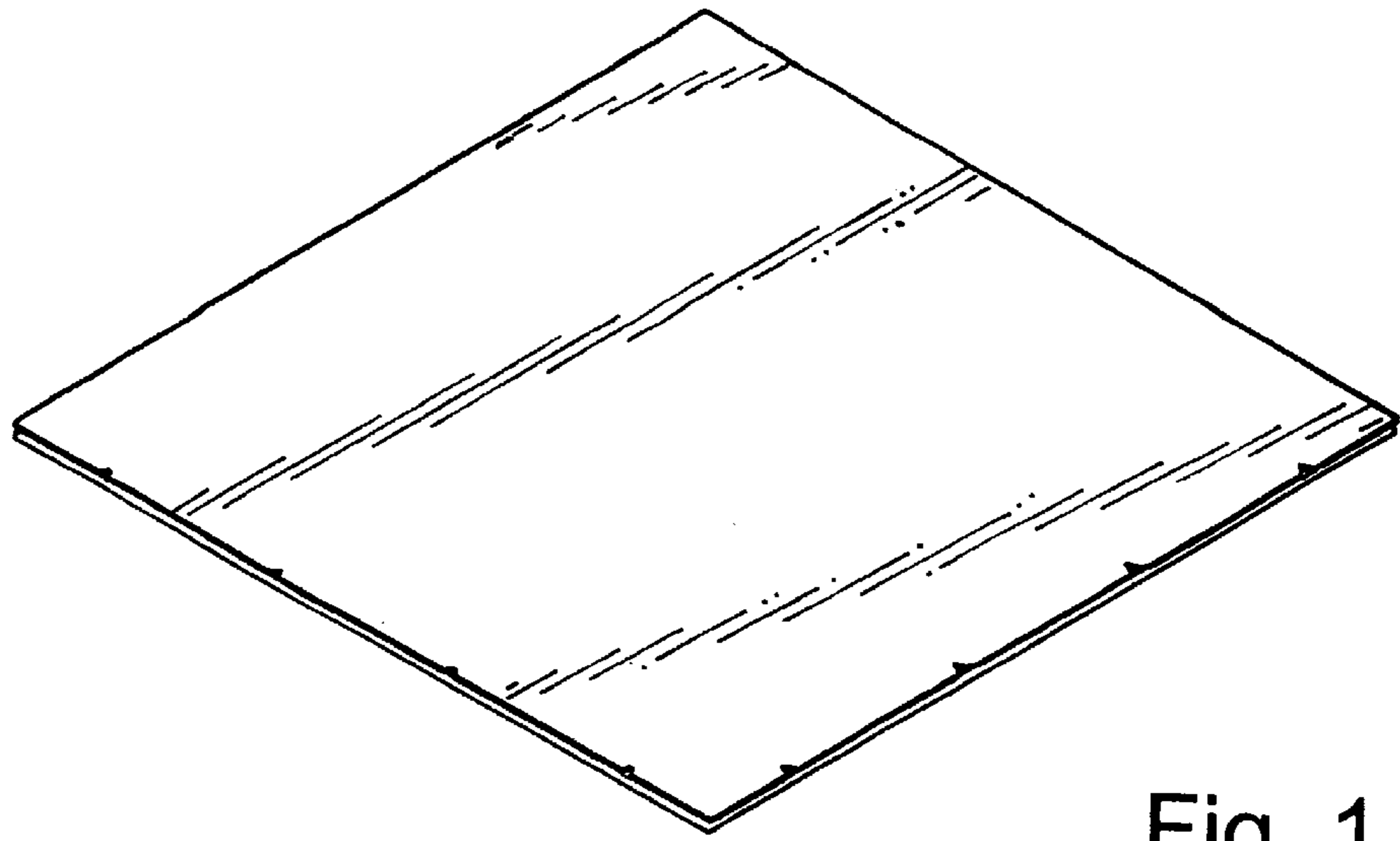


Fig. 1

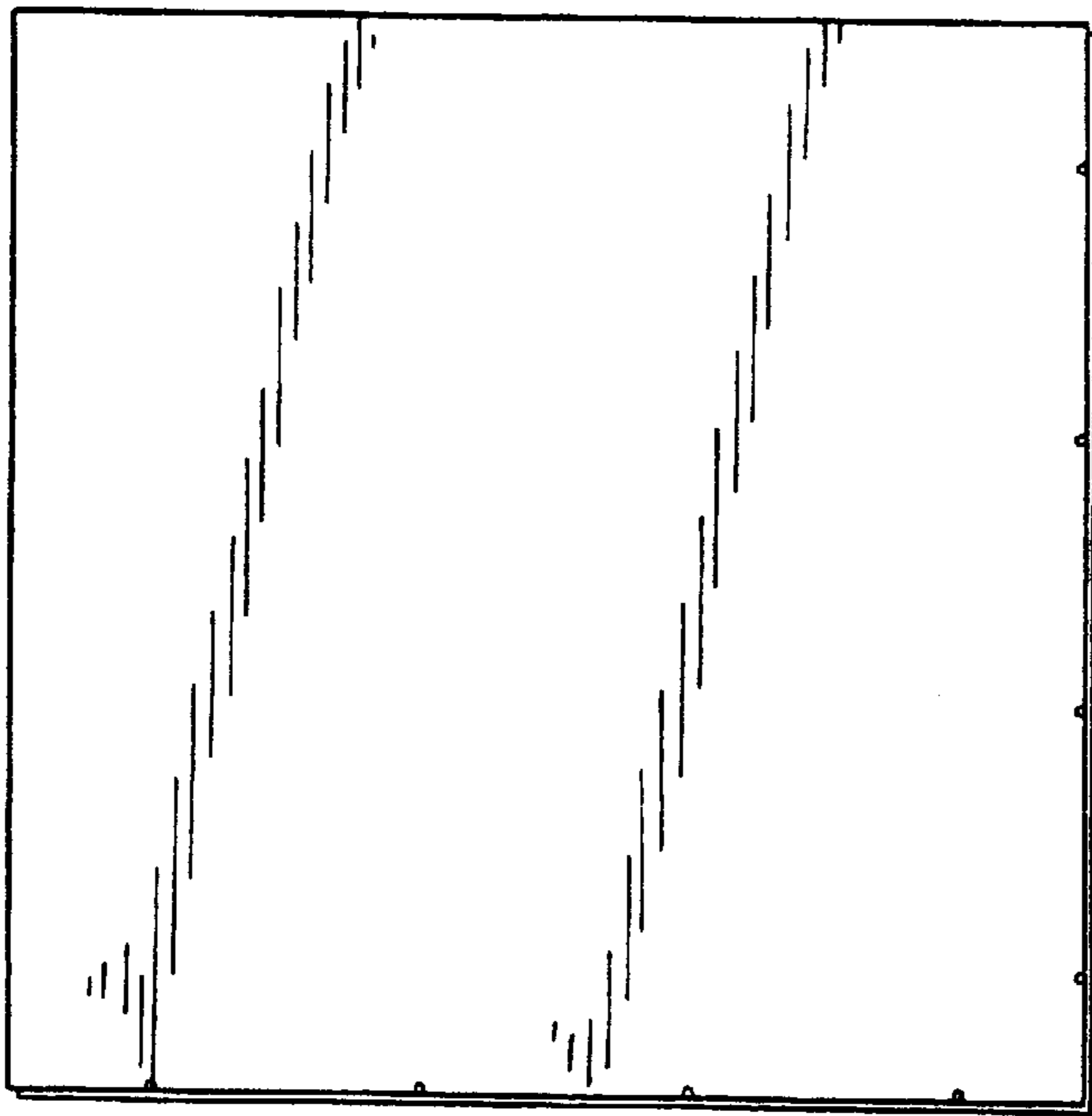


Fig. 2

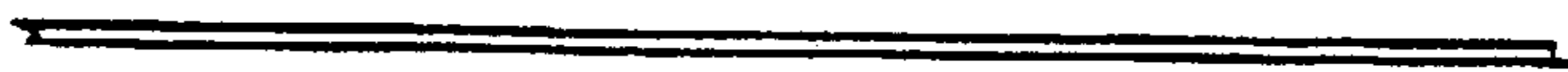


Fig. 3

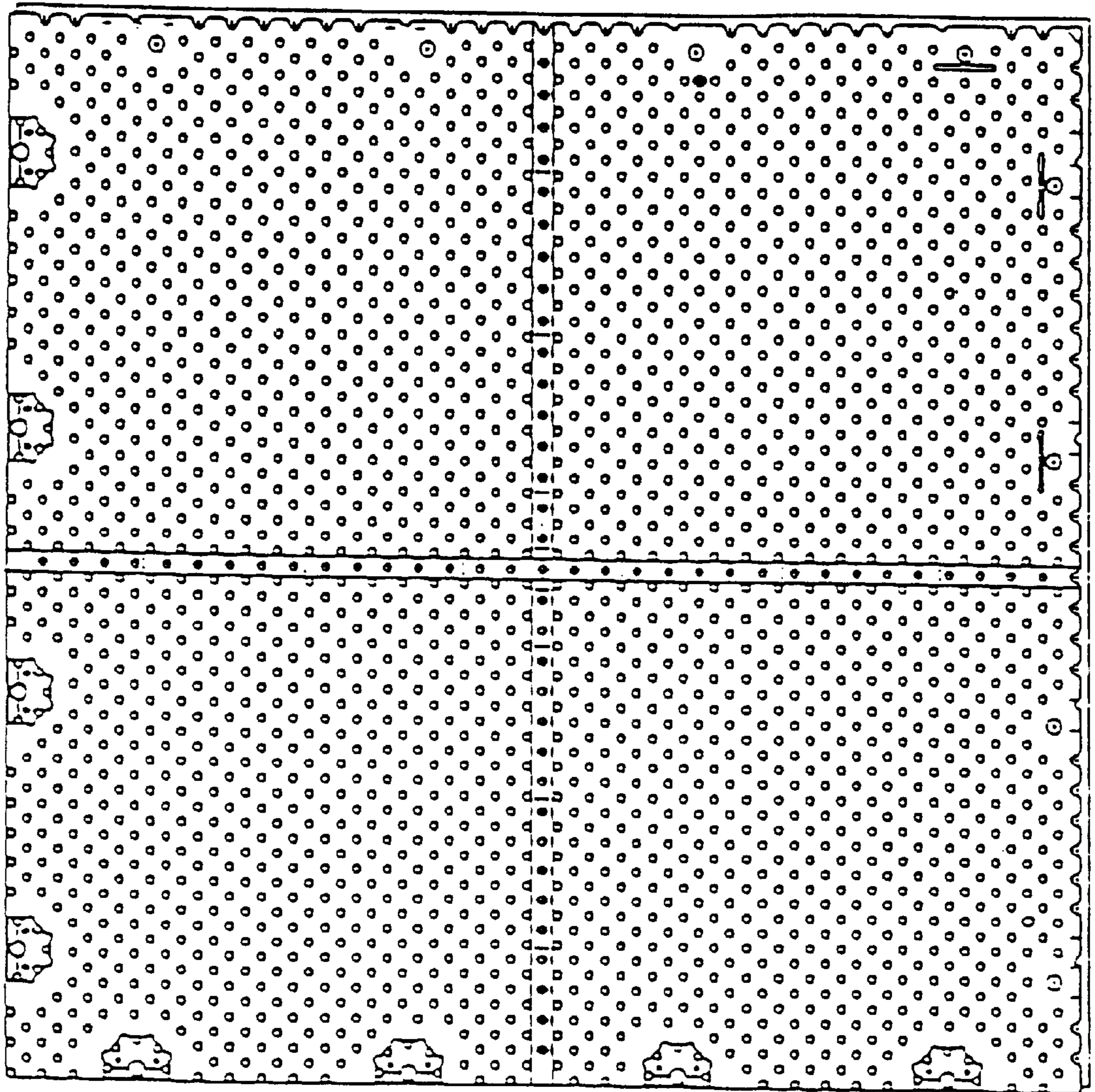


Fig. 4

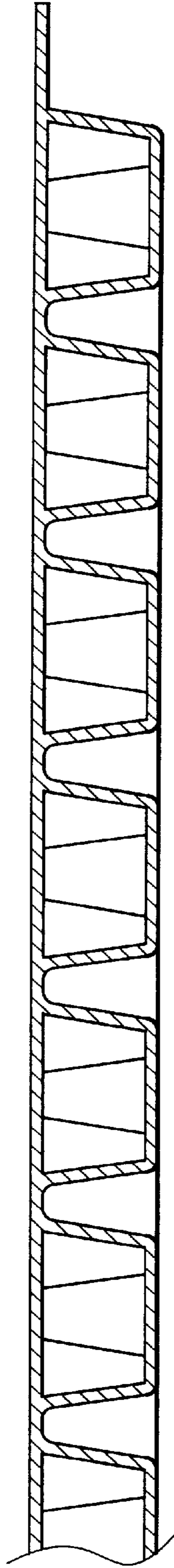


Fig. 6

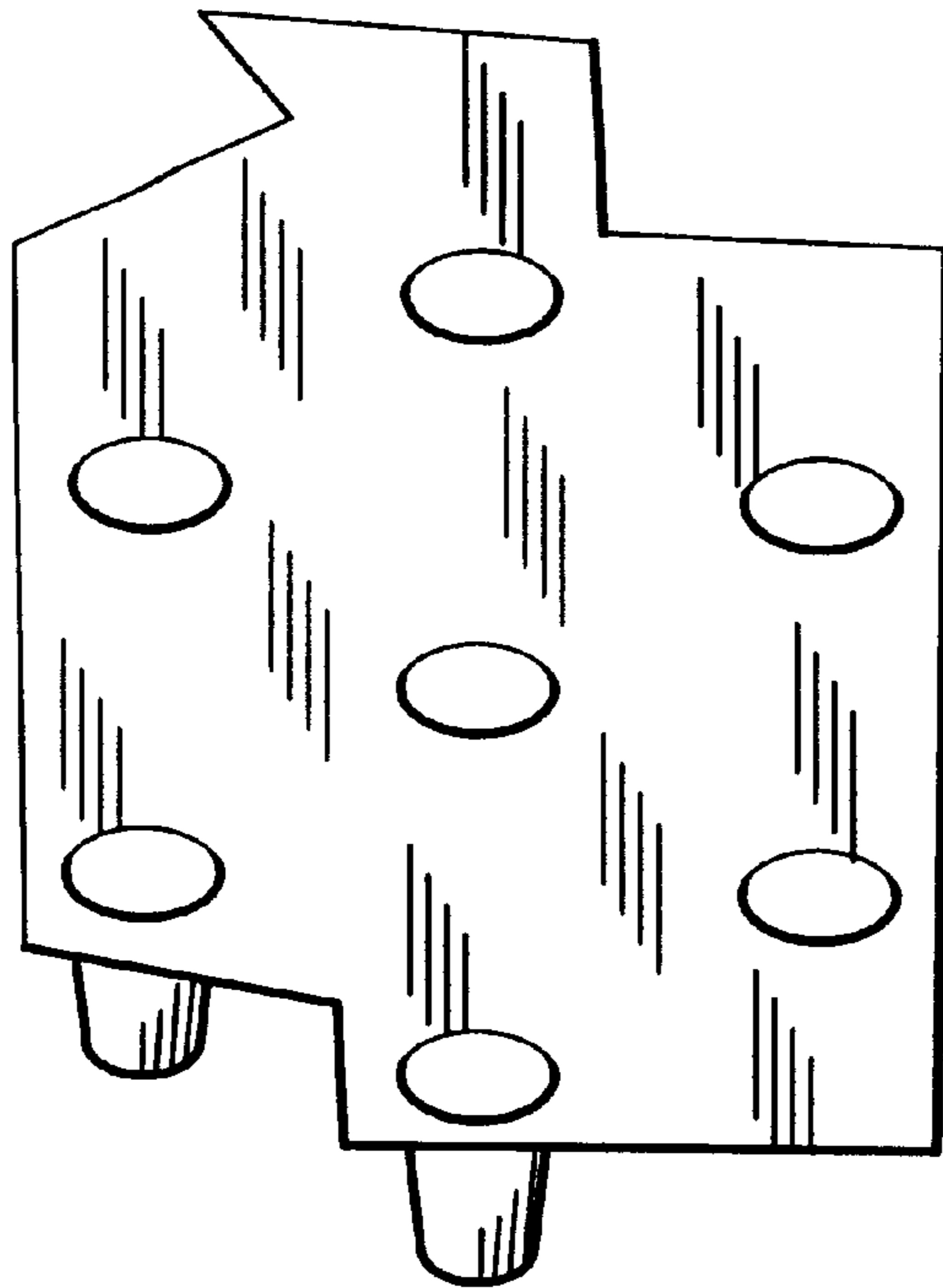


Fig. 7

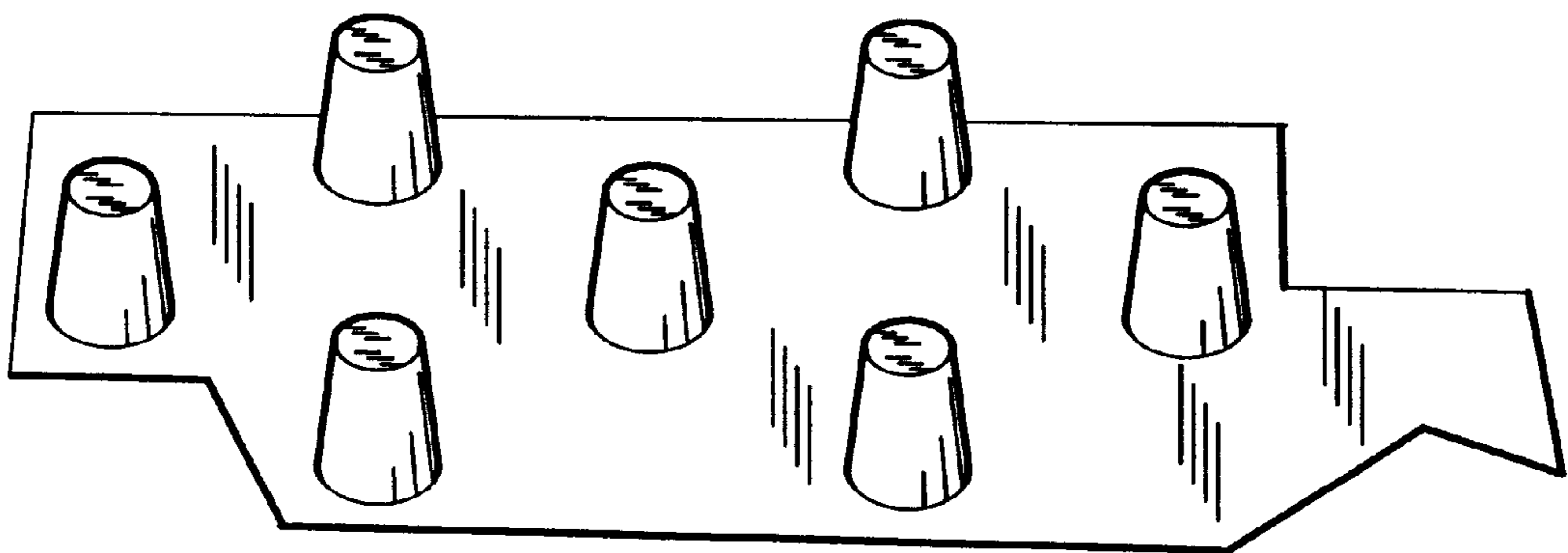


Fig. 8

UNITED STATES PATENT AND TRADEMARK OFFICE
CERTIFICATE OF CORRECTION

PATENT NO. : Des. 447,813 S
APPLICATION NO. : 29/115173
DATED : September 11, 2001
INVENTOR(S) : Rober Arthur Else

Page 1 of 1

It is certified that error appears in the above-identified patent and that said Letters Patent is hereby corrected as shown below:

Title page, item [30] should read -- United Kingdom Application No. 2083975 filed on June 9, 1999 --

Title page, item [65] under Prior Publication Data: should read -- US 2083975 June 9, 1999 --

Signed and Sealed this

Fifteenth Day of April, 2008

A handwritten signature in black ink that reads "Jon W. Dudas". The signature is written in a cursive style with a large, looped initial "J".

JON W. DUDAS

Director of the United States Patent and Trademark Office

UNITED STATES PATENT AND TRADEMARK OFFICE
CERTIFICATE OF CORRECTION

PATENT NO. : Des. 447,813 S
APPLICATION NO. : 29/115173
DATED : September 11, 2001
INVENTOR(S) : Robert Arthur Else

Page 1 of 1

It is certified that error appears in the above-identified patent and that said Letters Patent is hereby corrected as shown below:

Title page, item [30] should read -- United Kingdom Application No. 2083975 filed on June 9, 1999 --

Title page, item [65] under Prior Publication Data: should read -- US 2083975 June 9, 1999 --

This certificate supersedes the Certificate of Correction issued April 15, 2008.

Signed and Sealed this

Twenty-eighth Day of October, 2008

A handwritten signature in black ink that reads "Jon W. Dudas". The signature is written in a cursive style with a large, stylized initial "J".

JON W. DUDAS
Director of the United States Patent and Trademark Office