



US00D447812B1

(12) **United States Design Patent**
Conway

(10) **Patent No.:** **US D447,812 S**

(45) **Date of Patent:** **** Sep. 11, 2001**

(54) **COLLECTION TUBE ASSEMBLY**

(75) Inventor: **Hugh T. Conway**, Verona, NJ (US)

(73) Assignee: **Becton Dickinson and Company**,
Franklin Lakes, NJ (US)

(**) Term: **14 Years**

(21) Appl. No.: **29/128,434**

(22) Filed: **Aug. 24, 2000**

(51) **LOC (7) Cl.** **24-02**

(52) **U.S. Cl.** **D24/224; D24/216**

(58) **Field of Search** D24/224, 216,
D24/223; D9/341, 520, 570; 422/102, 104,
101, 61, 58, 215, 103; 436/809, 70, 45,
105; 220/4.27, 4.24

(56) **References Cited**

U.S. PATENT DOCUMENTS

D. 357,985	*	5/1995	Burns	D24/224
5,924,594	*	7/1999	Kelly	422/102
5,948,365	*	9/1999	Macy et al.	422/102

* cited by examiner

Primary Examiner—Ian Simmons

(74) *Attorney, Agent, or Firm*—Nanette S. Thomas

(57) **CLAIM**

The ornamental design for a collection tube assembly, as shown and described.

DESCRIPTION

The file of this patent contains at least one drawing executed in color. Copies of this patent with color drawings will be provided by the Patent and Trademark Office upon request and payment of the necessary fee.

FIG. 1 is a top portion and front perspective view of collection tube assembly with an amber top and a transparent bottom portion;

FIG. 2 is a top plan view of the collection tube assembly of FIG. 1;

FIG. 3 is a bottom plan view of the collection tube assembly of FIG. 1; and,

FIG. 4 is a side elevational view of the collection tube assembly of FIG. 1 the opposite side elevational being identical thereto.

1 Claim, 3 Drawing Sheets

(2 of 3 Drawing Sheet(s) Filed in Color)

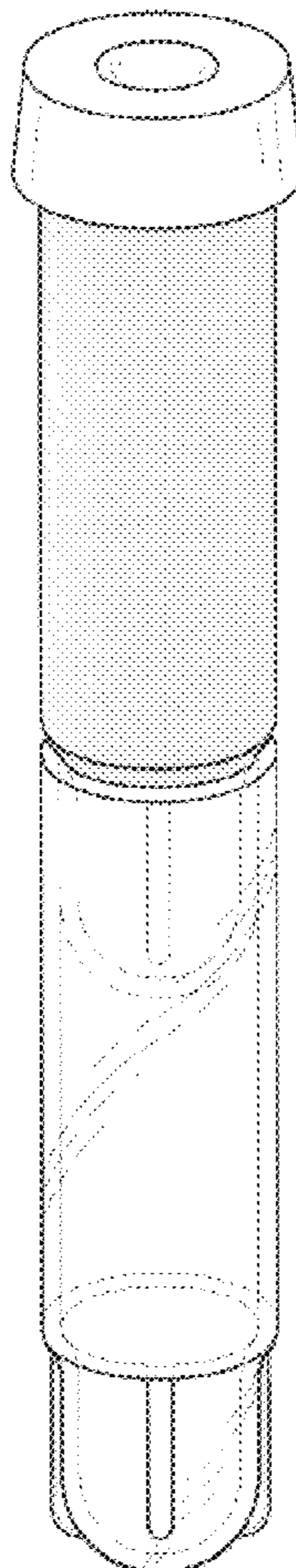


FIG. 1

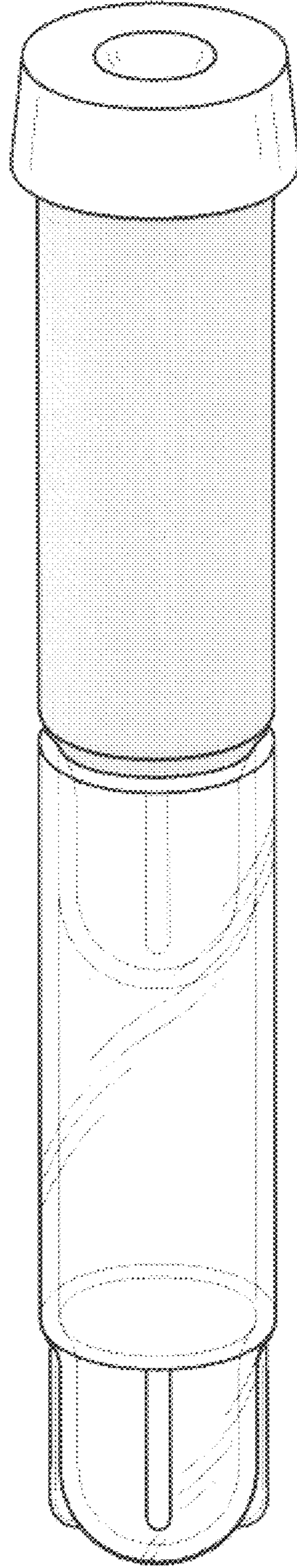


FIG. 2

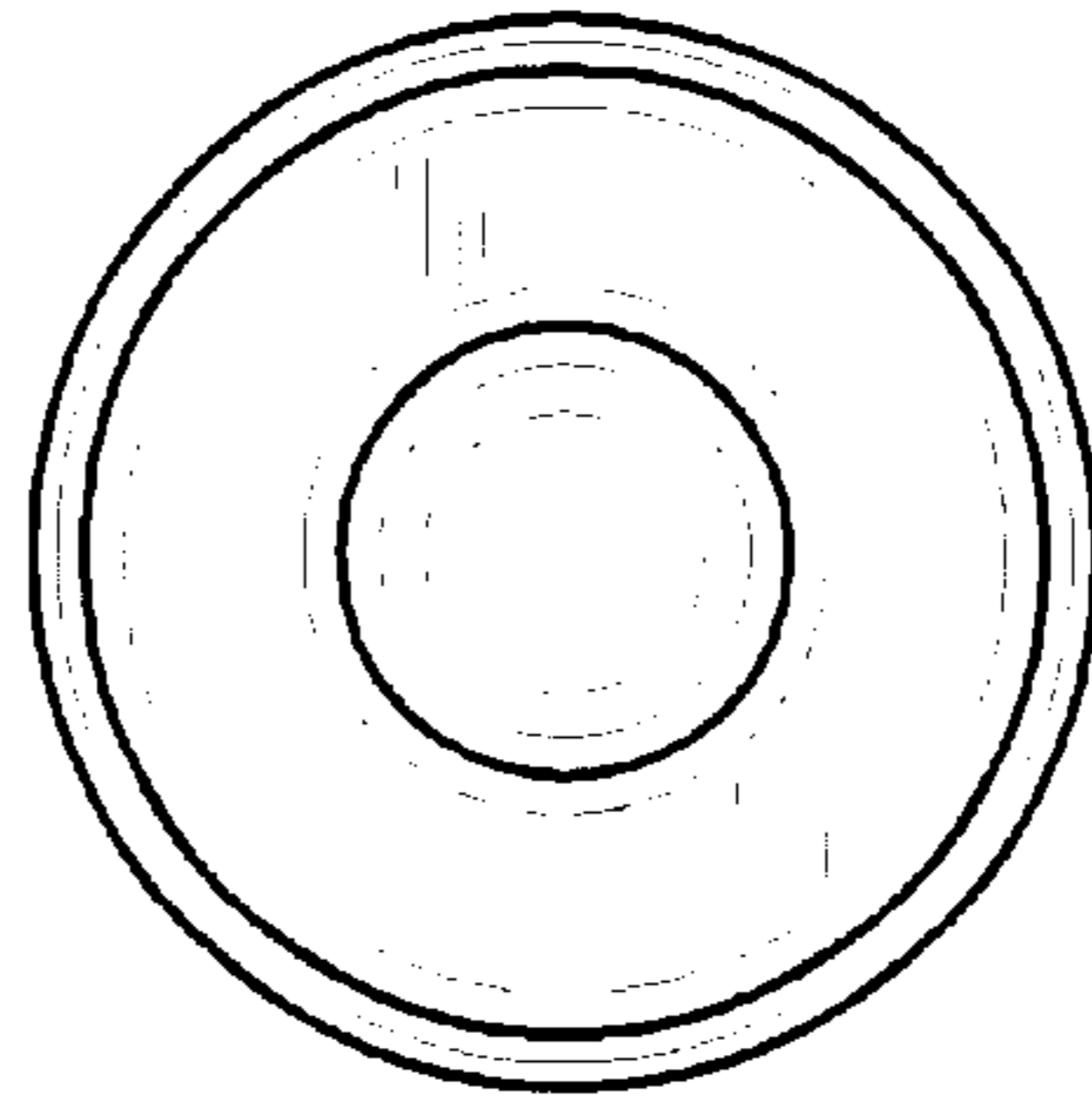


FIG. 3

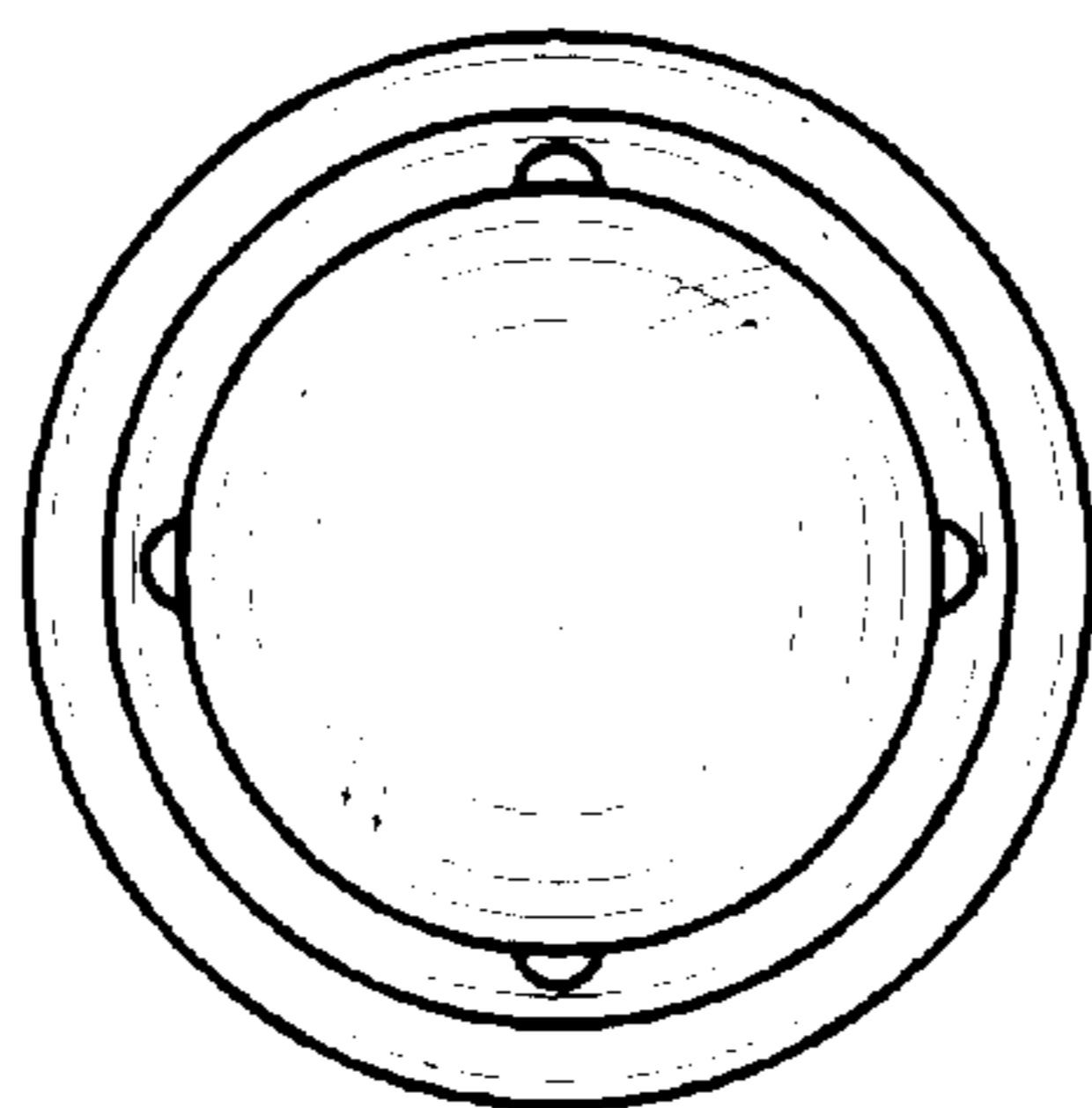


FIG. 4

