



US00D447810B1

(12) **United States Design Patent**  
**Hannah**

(10) **Patent No.: US D447,810 S**

(45) **Date of Patent: \*\* \*Sep. 11, 2001**

(54) **COMBINED PRESSURE POINT AND TRIGGER POINT MASSAGE TOOL**

(76) **Inventor: Shari Ann Hannah**, 2100 Doral Ct., Oxnard, CA (US) 93030

(\* ) **Notice:** This patent is subject to a terminal disclaimer.

(\*\* ) **Term:** 14 Years

(21) **Appl. No.:** 29/104,331

(22) **Filed:** Apr. 30, 1999

(51) **LOC (7) Cl.** ..... 24-01

(52) **U.S. Cl.** ..... D24/214

(58) **Field of Search** ..... D24/200, 214; 601/134, 135, 136, 137; 606/204, 201; 128/905, 907

(56) **References Cited**

**U.S. PATENT DOCUMENTS**

D. 274,555	7/1984	Shiu	.....	D24/36
D. 346,866	* 5/1994	Lotuaco	.....	D24/200
D. 357,984	5/1995	Heck	.....	D24/211
D. 371,442	7/1996	Semyonova	.....	D24/214
D. 375,166	10/1996	Goulding-Thompson	.....	D24/214
D. 376,016	11/1996	Chen	.....	D24/214
D. 382,973	8/1997	Balanchi	.....	D24/211
D. 386,879	11/1997	Daniels	.....	D24/214
D. 387,873	12/1997	Lee	.....	D24/215
D. 390,966	* 2/1998	Huang	.....	D24/211

D. 408,543	* 4/1999	Back	.....	D24/211
3,831,592	* 8/1974	Lancellotti	.....	601/135
4,989,585	2/1991	Auker	.....	128/57
5,577,996	11/1996	Gardner	.....	601/120

\* cited by examiner

*Primary Examiner*—Stella Reid

(74) *Attorney, Agent, or Firm*—John D. Gugliotta

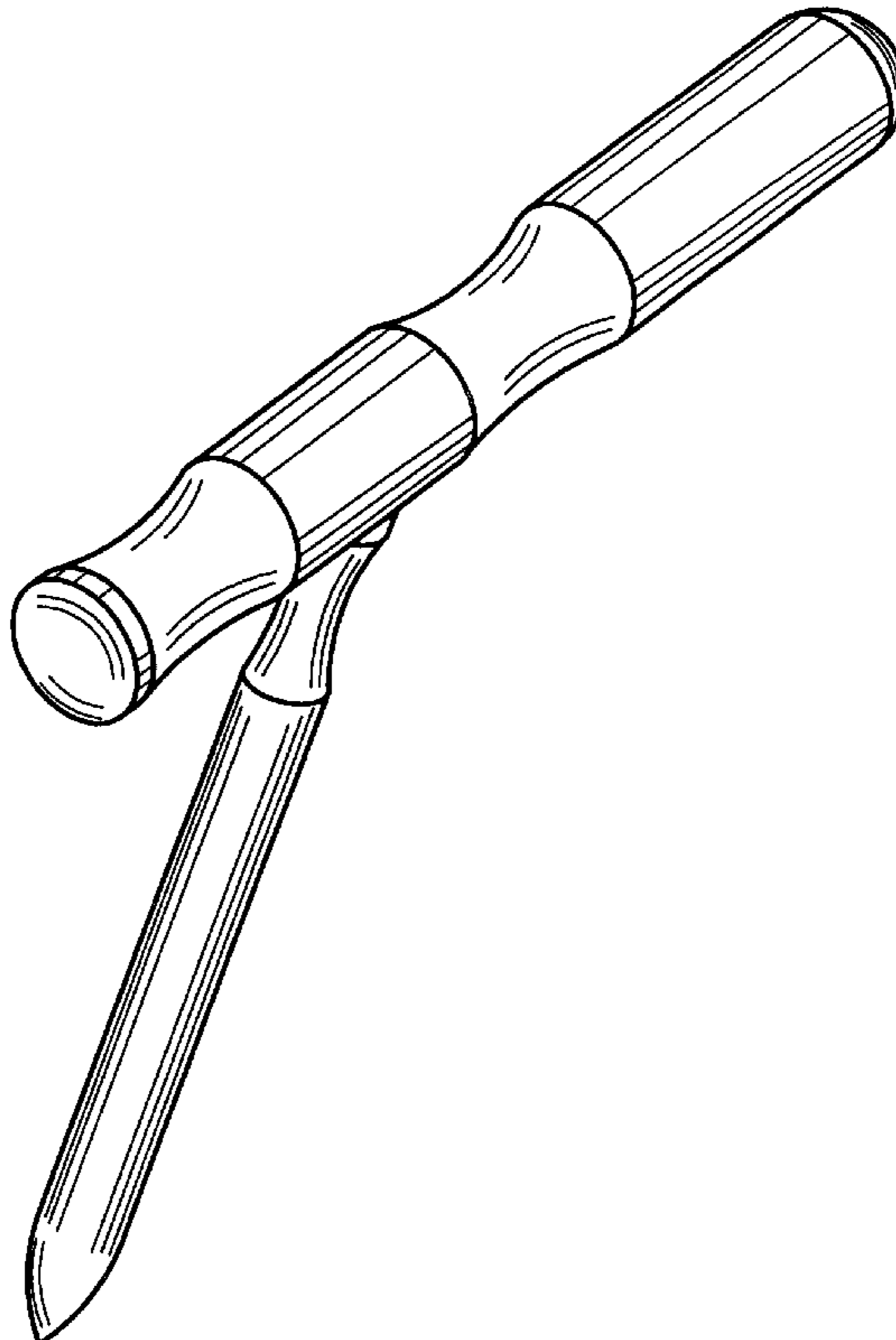
(57) **CLAIM**

The ornamental design for a combined pressure point and trigger point massage tool, as shown and described.

**DESCRIPTION**

FIG. 1 is a perspective view of a combined pressure point and trigger point massage tool, showing my new design; FIG. 2 is a left side elevational view thereof, the opposite side elevational view being a mirror image thereof; FIG. 3 is a front elevational view thereof; FIG. 4 is a top plan view thereof; FIG. 5 is a bottom plan view thereof; FIG. 6 is a perspective view of a second embodiment of the combined pressure point and trigger point massage tool, showing my new design; FIG. 7 is a left side elevational view thereof, the opposite side elevational view being a mirror image thereof; FIG. 8 is a front elevational view thereof; FIG. 9 is a top plan view thereof; and, FIG. 10 is a bottom plan view thereof.

**1 Claim, 6 Drawing Sheets**



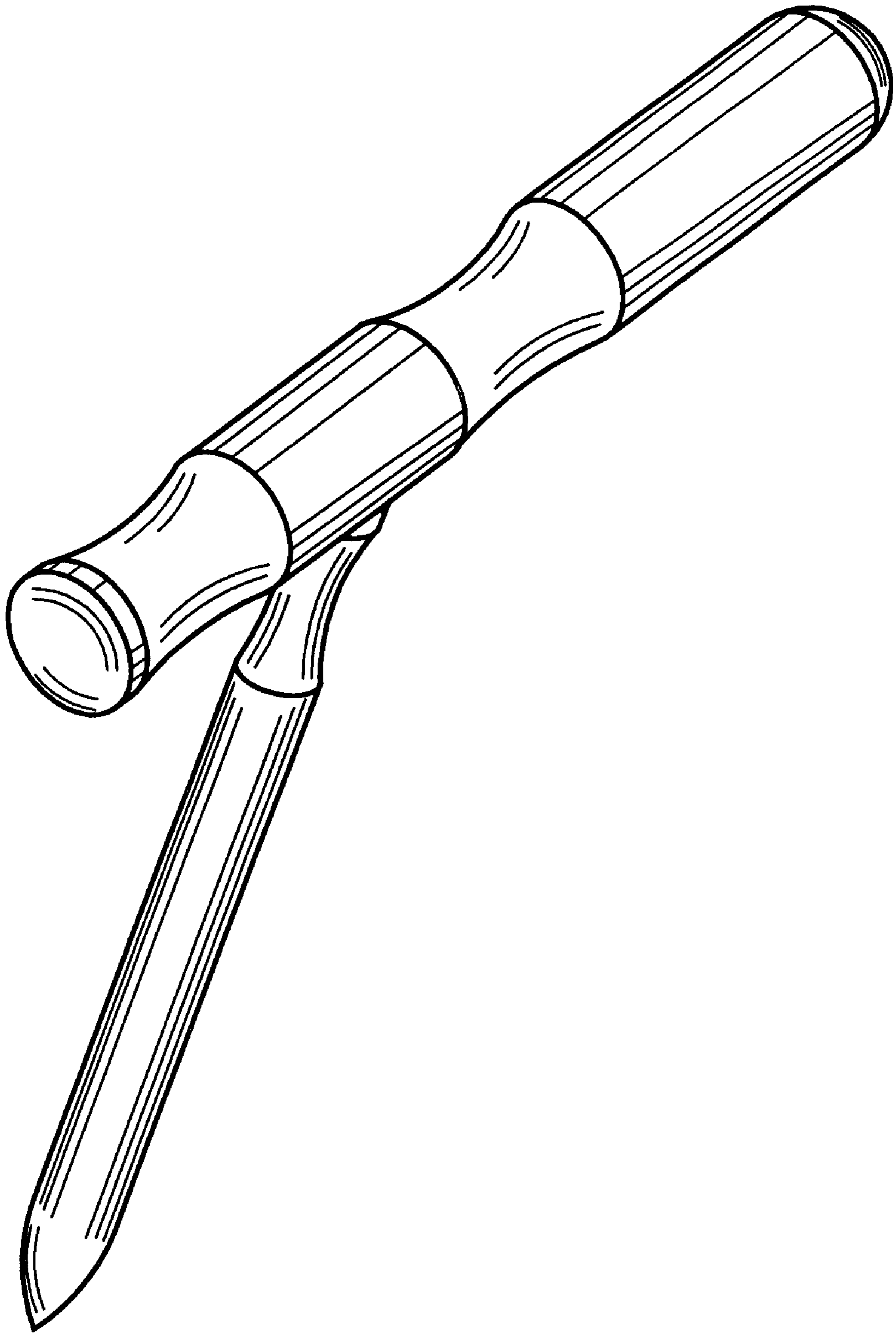


Figure 1

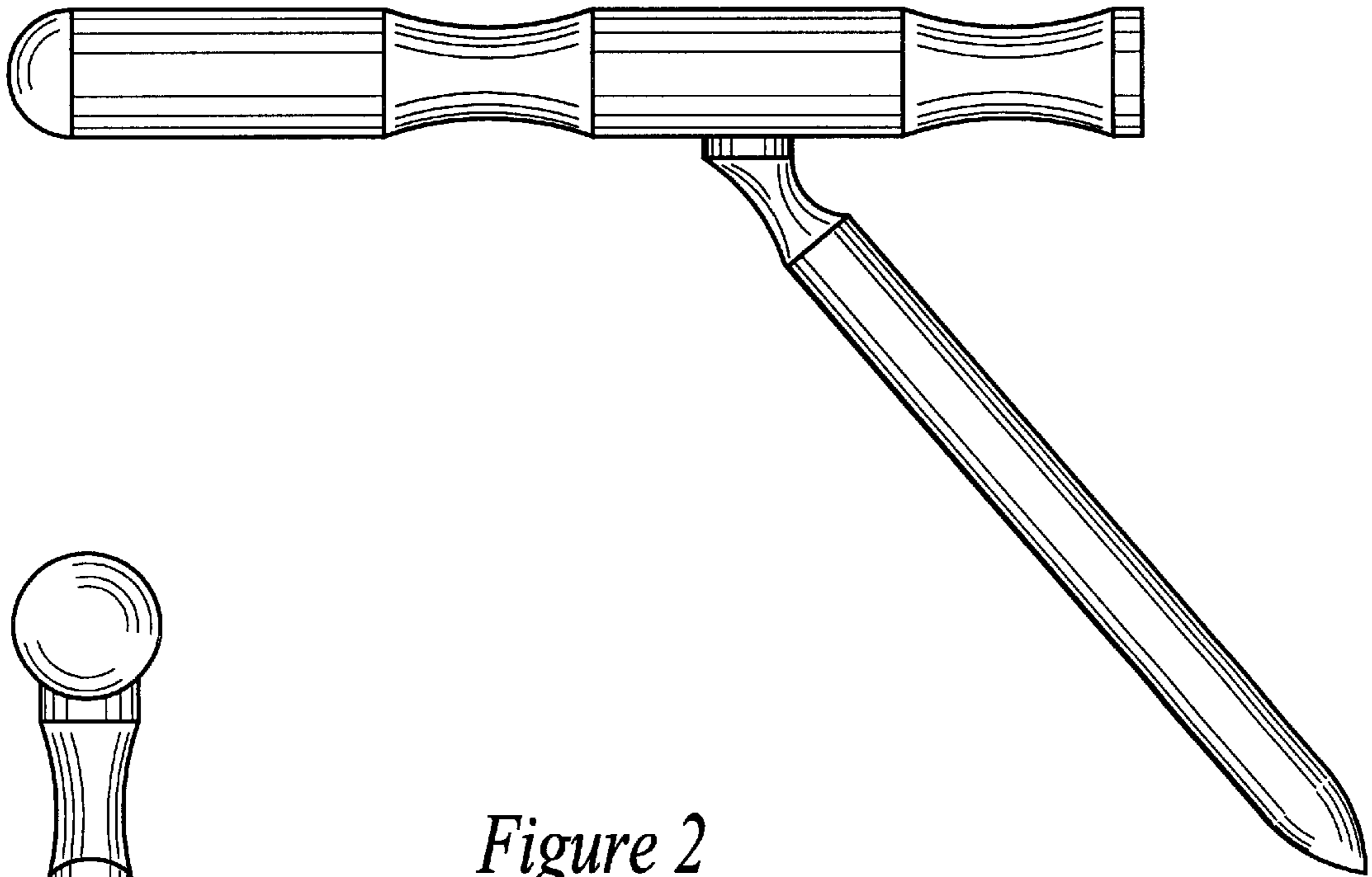


Figure 2

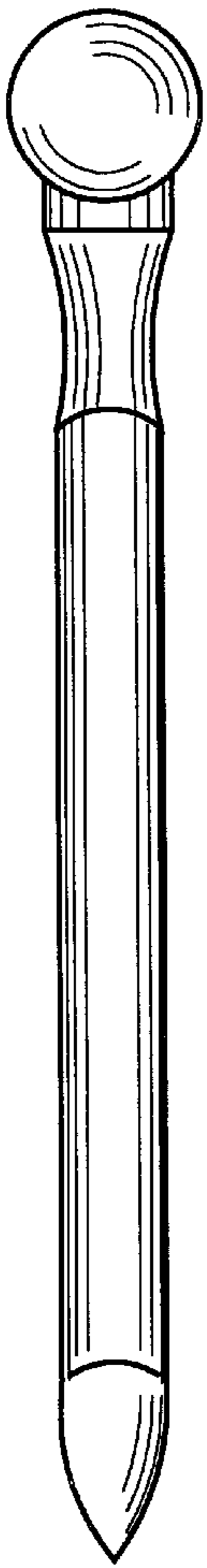


Figure 3

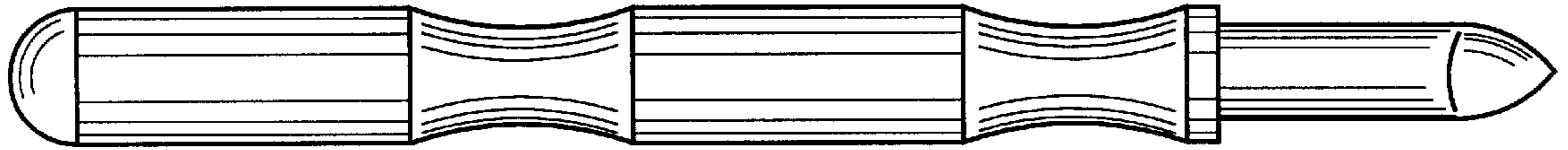


Figure 4

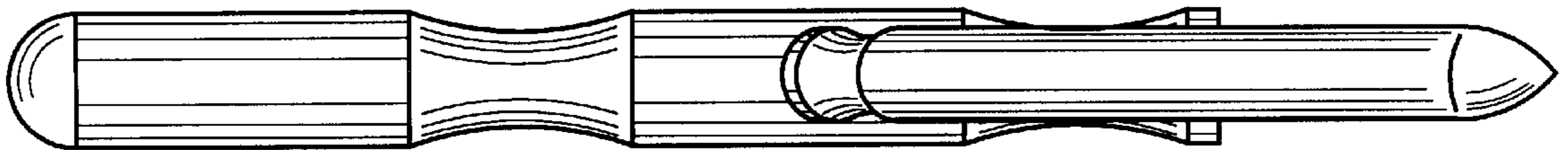


Figure 5

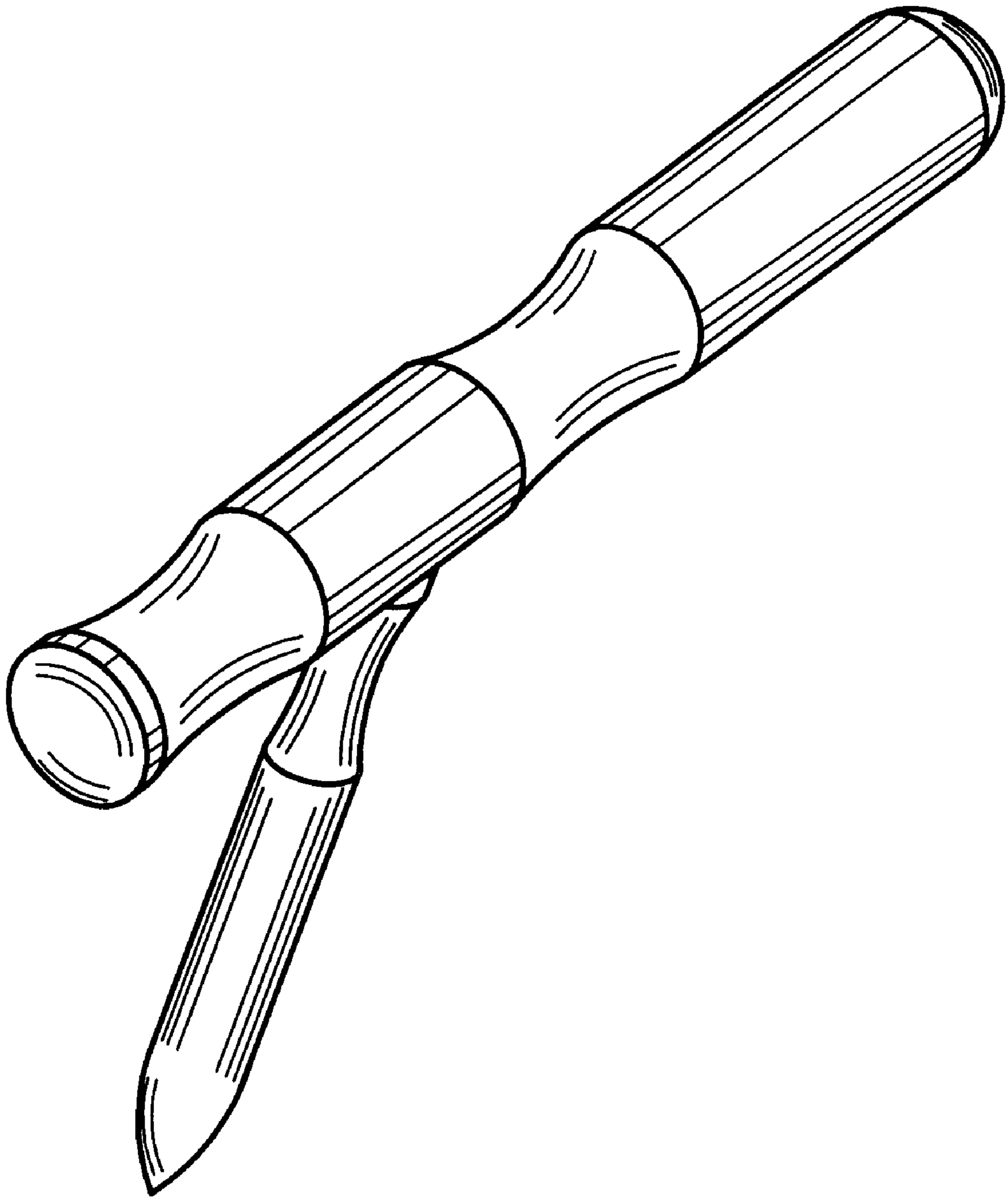


Figure 6

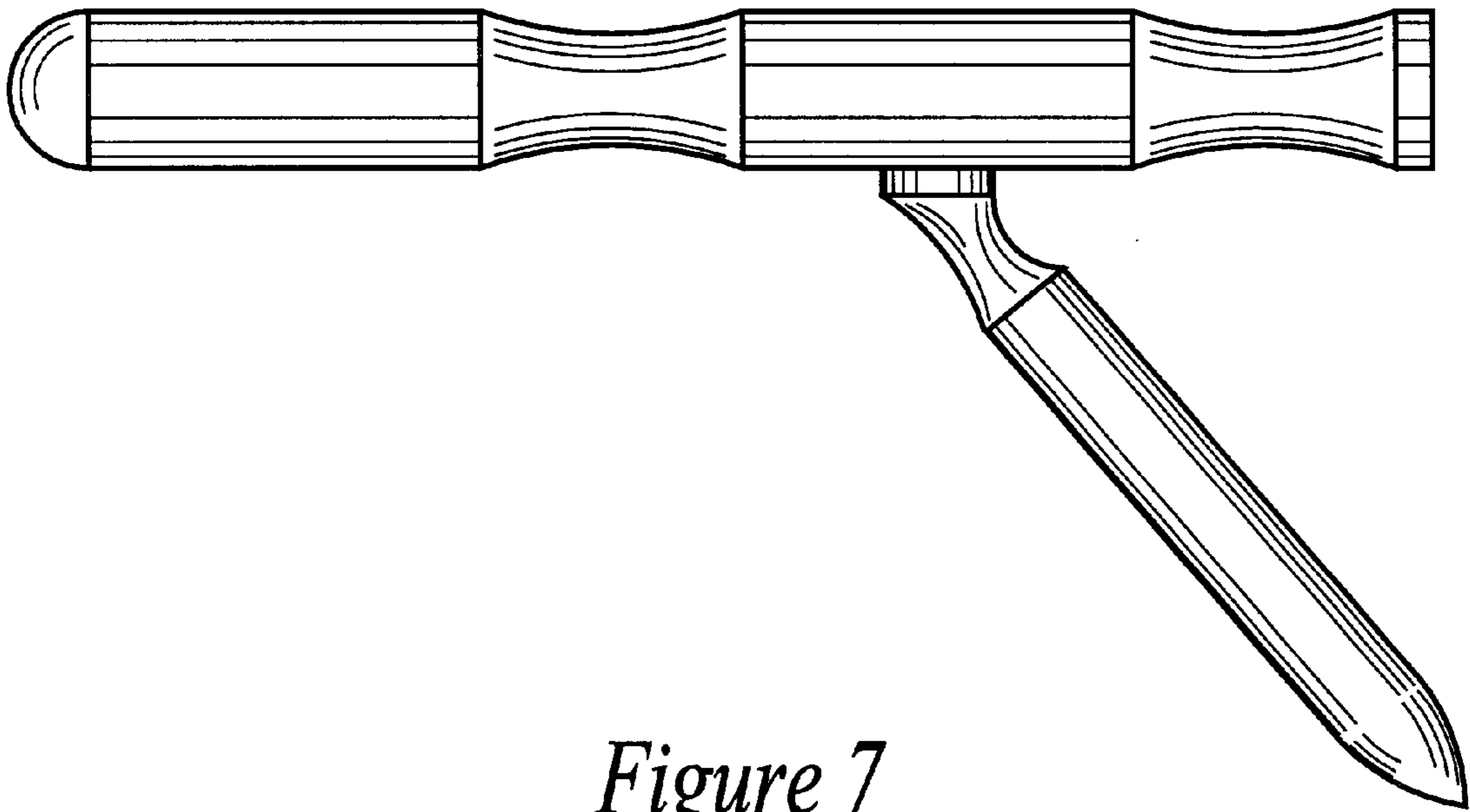


Figure 7

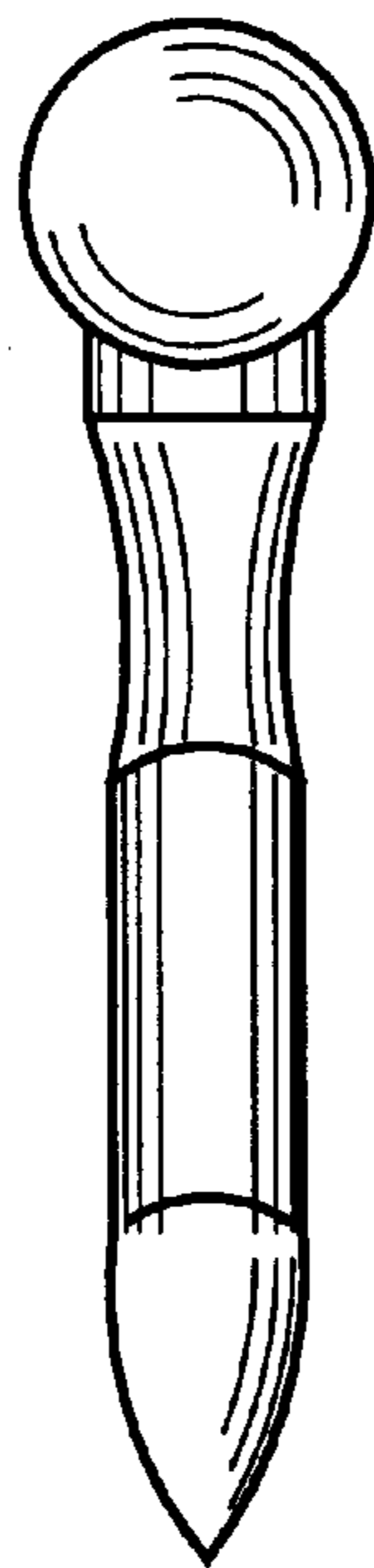


Figure 8

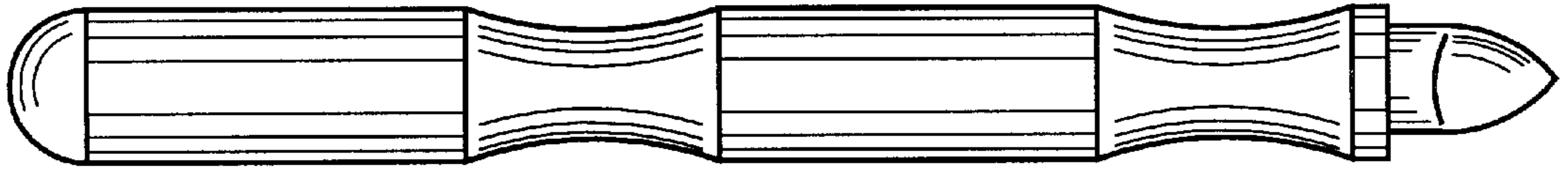


Figure 9

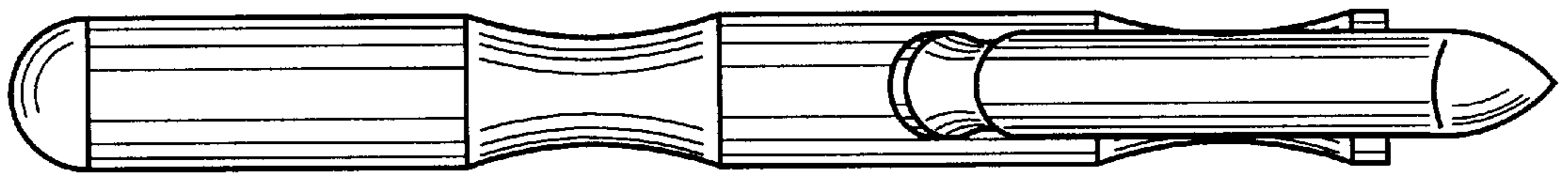


Figure 10