



US00D447807B1

(12) **United States Design Patent**  
**Lorenzon**

(10) **Patent No.:** **US D447,807 S**

(45) **Date of Patent:** **\*\* Sep. 11, 2001**

(54) **BODY CONTOUR POOL**

(76) **Inventor:** **Dawn-Marie Lorenzon**, 2308  
Parkwood Avenue, Windsor, Ontario  
(CA), N8W 2K2

(\*\*) **Term:** **14 Years**

(21) **Appl. No.:** **29/134,109**

(22) **Filed:** **Dec. 15, 2000**

(51) **LOC (7) Cl.** ..... **24-04**

(52) **U.S. Cl.** ..... **D24/204; D24/201**

(58) **Field of Search** ..... D24/201, 204;  
4/541.1, 541.2, 541.3, 541.4, 541.5, 541.6,  
538, 588, 585, 573.1, 573.5; 607/80, 81,  
85, 86, 95

(56) **References Cited**

**U.S. PATENT DOCUMENTS**

D. 266,789	*	11/1982	Topete	.....	D24/204
D. 319,313	*	8/1991	Battles et al.	.....	D24/209
D. 385,359	*	10/1997	Kelley	.....	D24/204
3,688,775	*	9/1972	Raymann	.....	607/80

3,835,482	*	9/1974	Tersch	.....	4/573.1
4,734,944	*	4/1988	O'Brien	.....	4/589
4,744,112	*	5/1988	Keesling, Jr.	.....	4/585
4,964,183	*	10/1990	LaForce, Jr.	.....	5/421
5,101,823	*	4/1992	Smith	.....	607/81
5,879,377	*	3/1999	Mullins	.....	607/95

\* cited by examiner

*Primary Examiner*—Stella Reid

(74) *Attorney, Agent, or Firm*—Eugene J. A. Gierczak

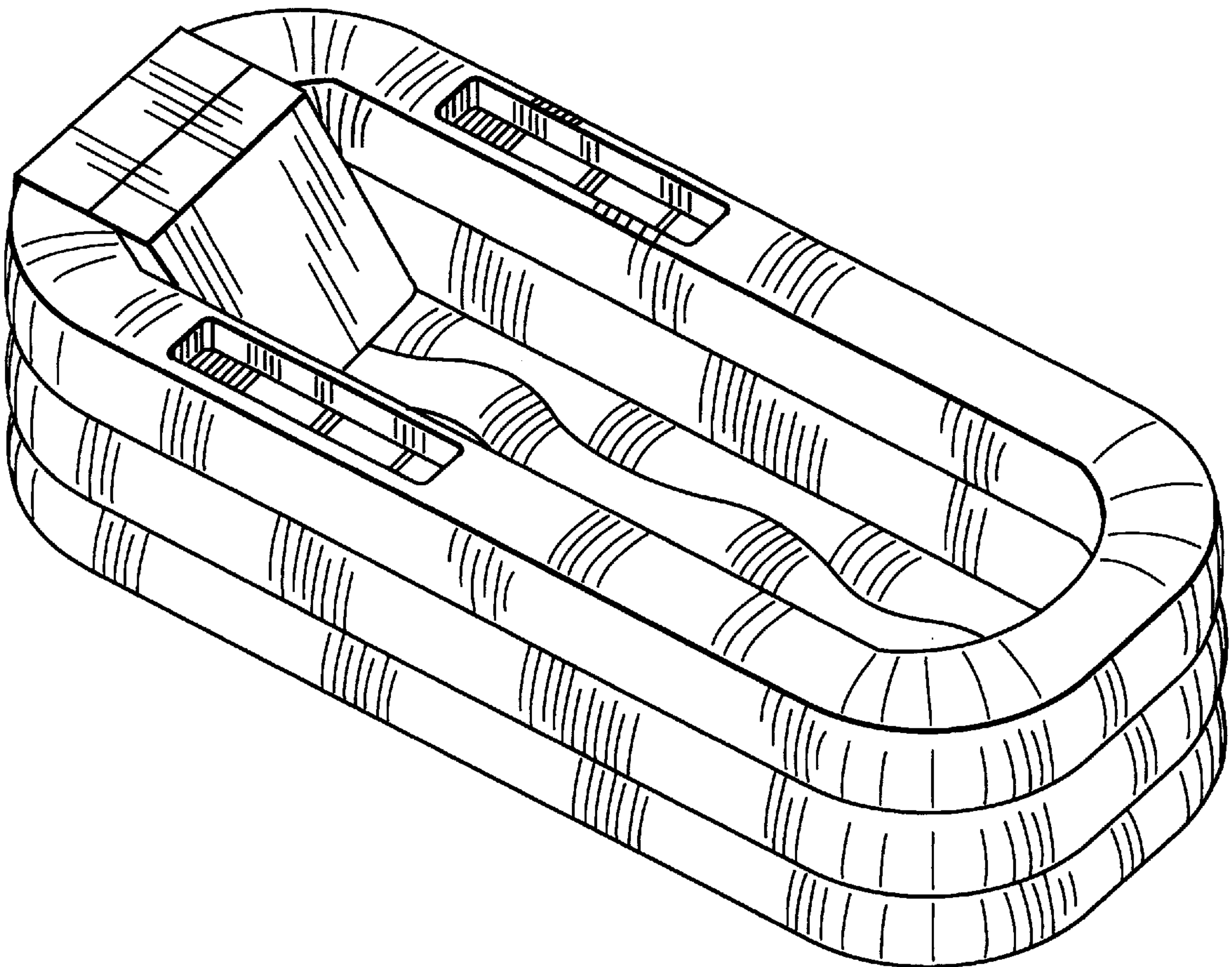
(57) **CLAIM**

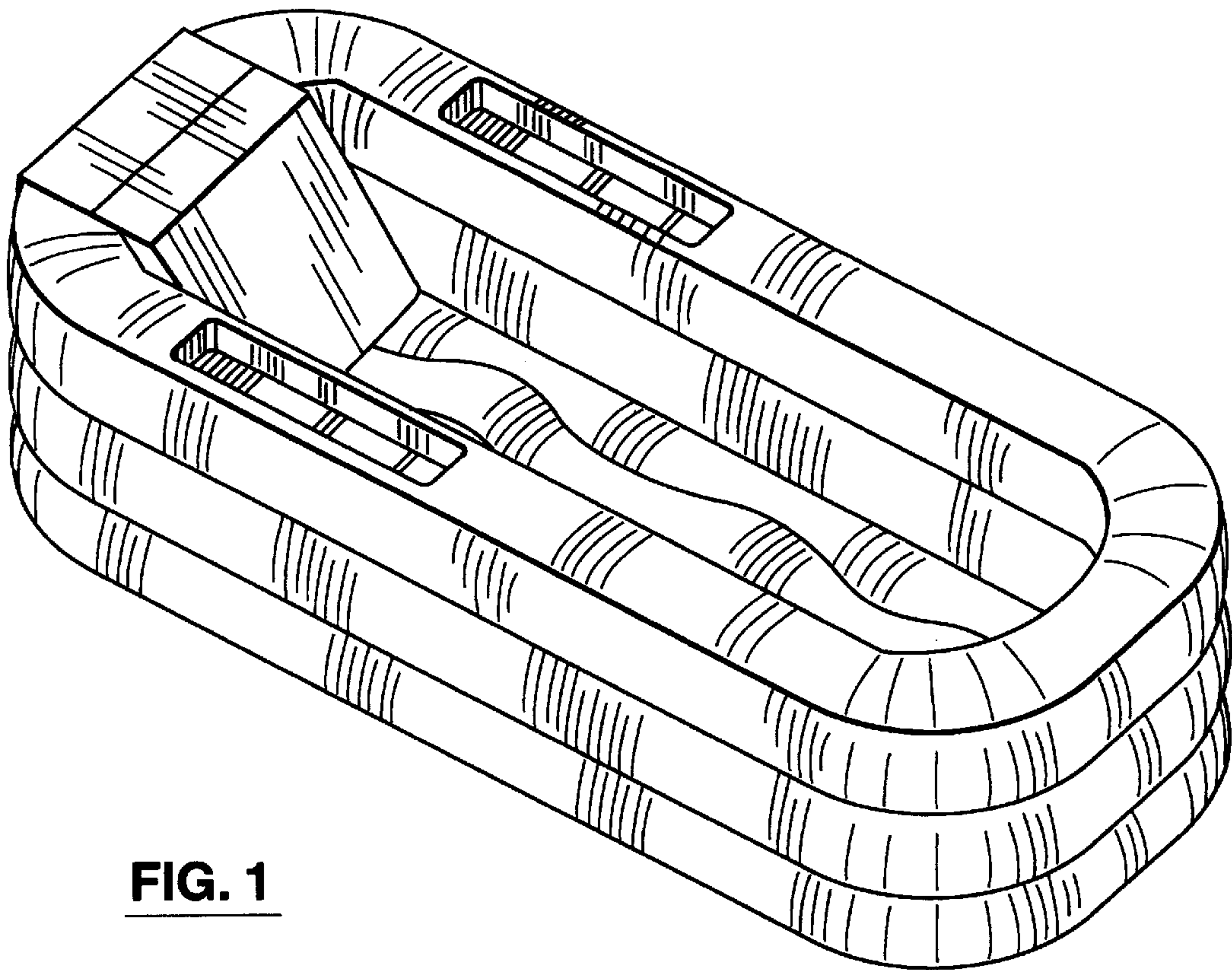
The ornamental design for the “body contour pool”, as shown and described.

**DESCRIPTION**

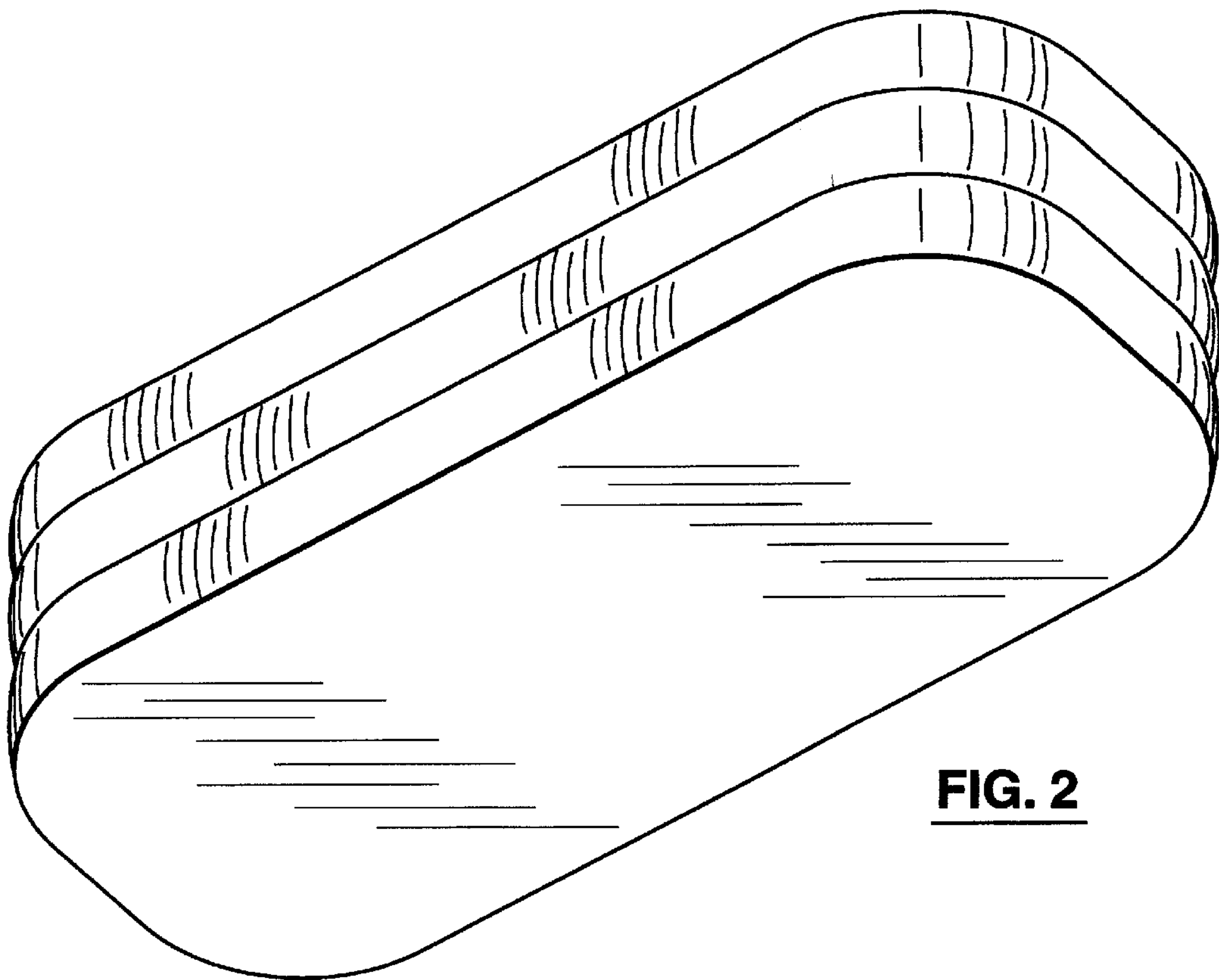
FIG. 1 is a top perspective view of the body contour pool.  
FIG. 2 is a bottom perspective view of the body contour pool.  
FIG. 3 is a top view of the body contour pool.  
FIG. 4 is a side view of the body contour pool.  
FIG. 5 is a front plan view of the body contour pool; and,  
FIG. 6 is an end plan view of the body contour pool.

**1 Claim, 2 Drawing Sheets**

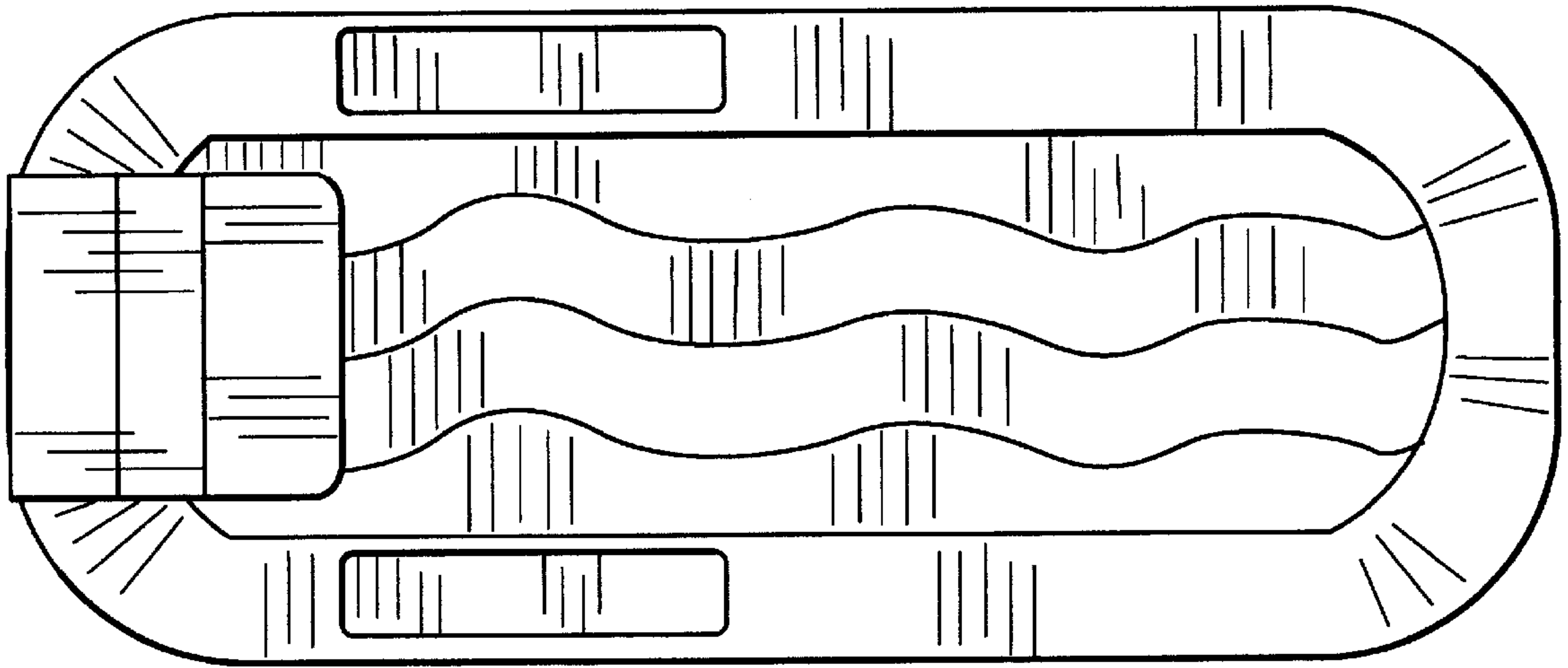




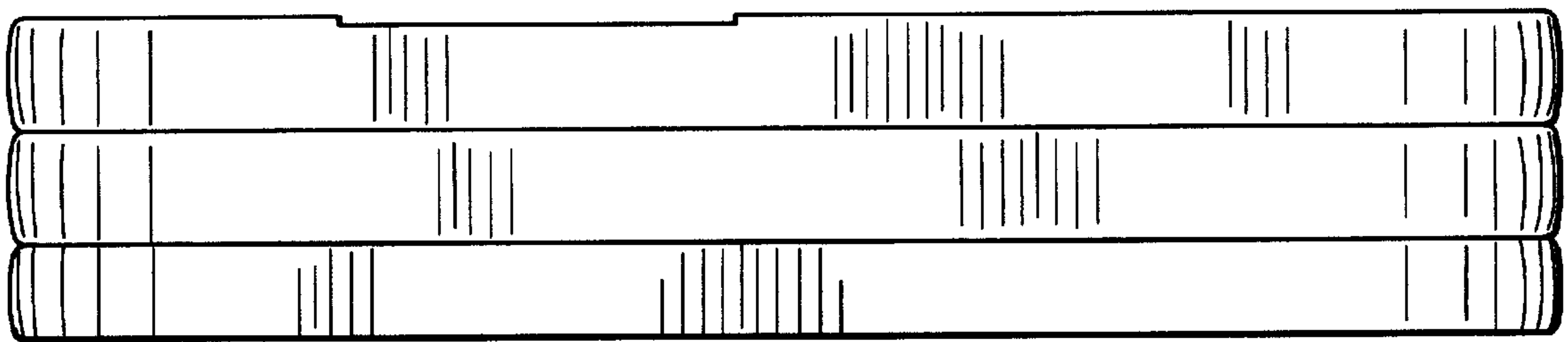
**FIG. 1**



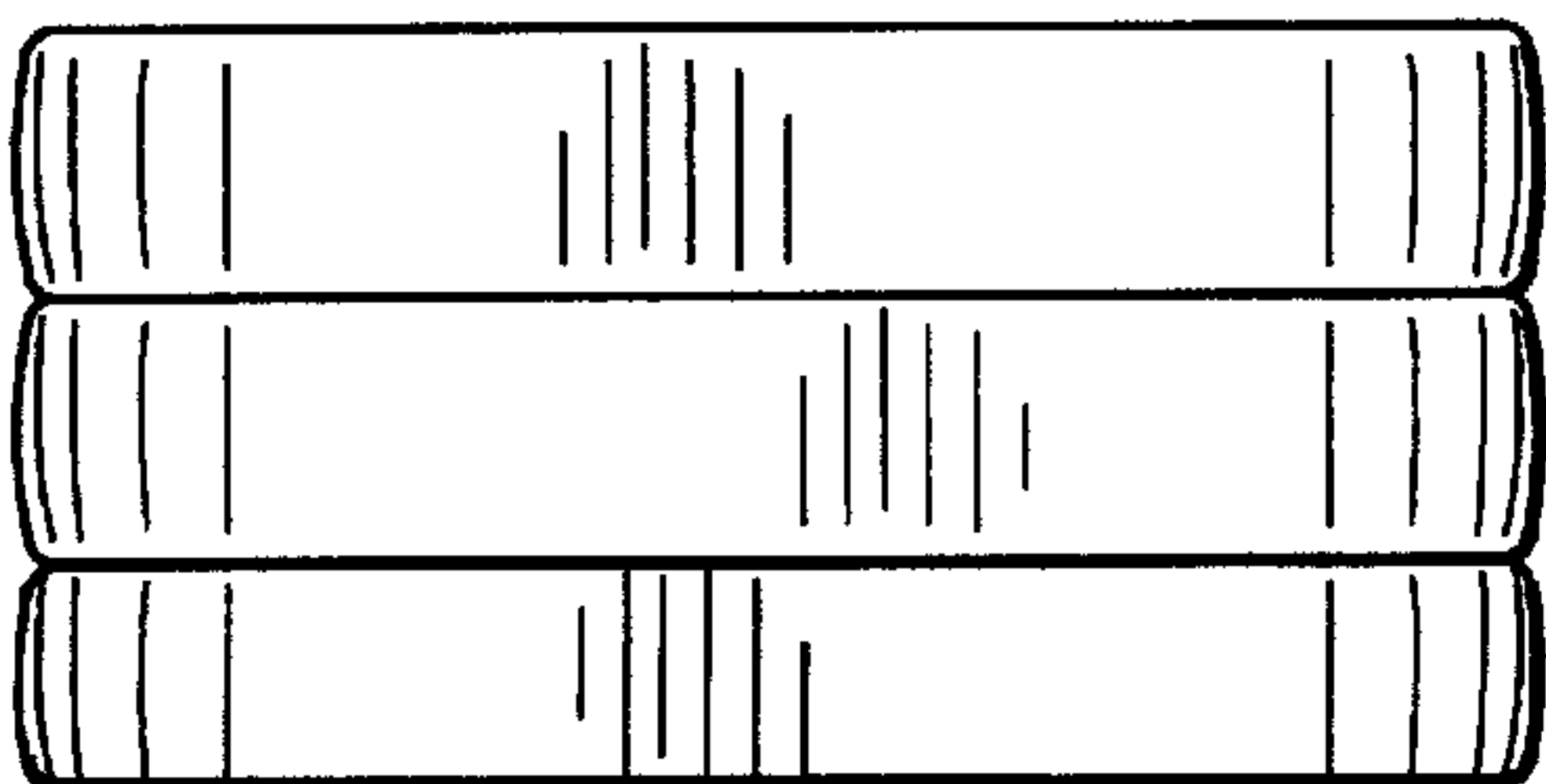
**FIG. 2**



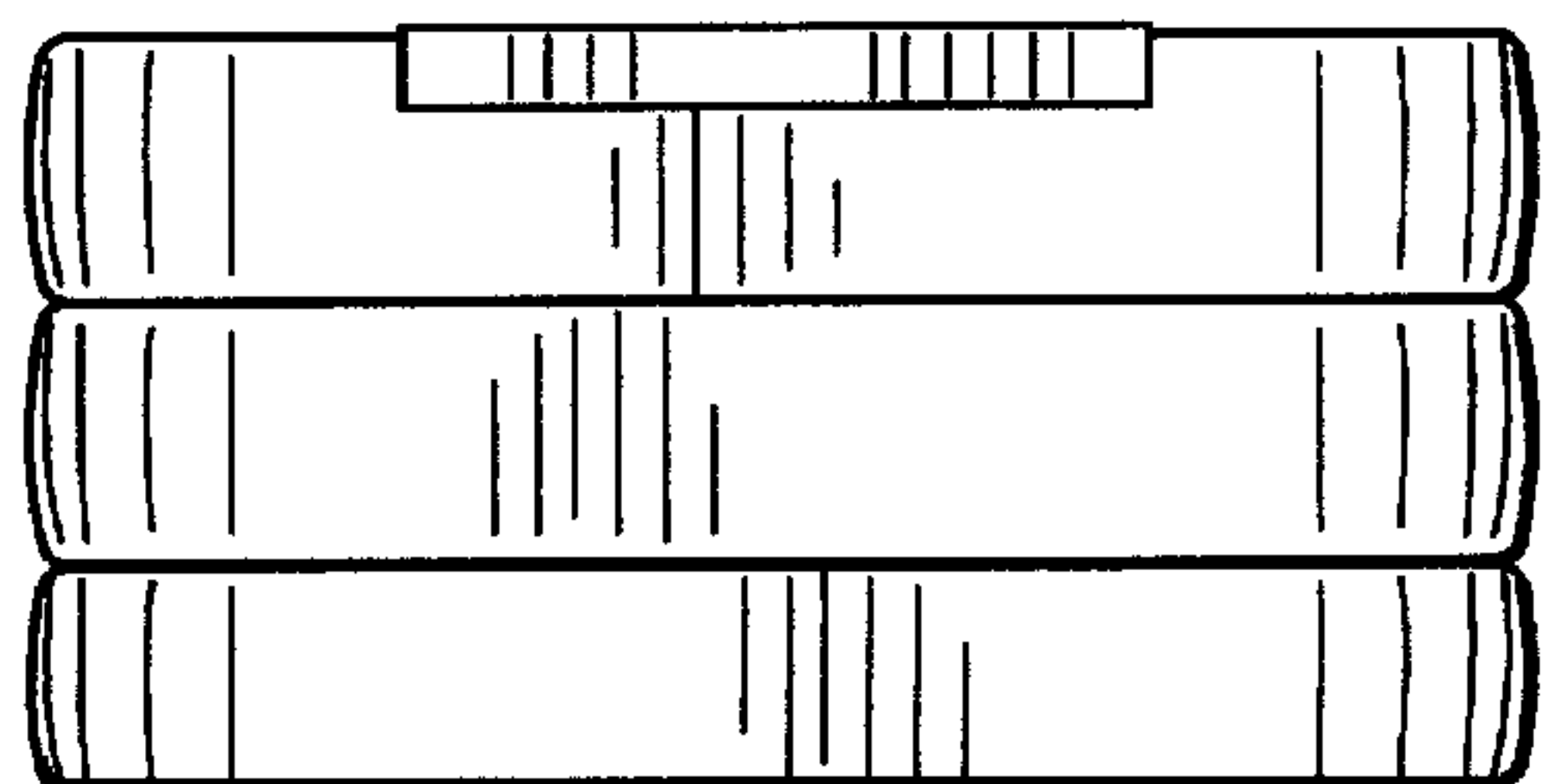
**FIG. 3**



**FIG. 4**



**FIG. 5**



**FIG. 6**