



US00D447806B1

(12) **United States Design Patent**
Davey et al.

(10) **Patent No.:** **US D447,806 S**

(45) **Date of Patent:** **** Sep. 11, 2001**

(54) **TRANSCRANIAL MAGNETIC NERVE STIMULATOR**

(74) *Attorney, Agent, or Firm*—Levisohn, Lerner, Berger & Langsam

(75) **Inventors:** **Kent Davey**, New Smyrna Beach, FL (US); **Timothy N. Thomas**, Lilvurn, GA (US)

(57) **CLAIM**

The ornamental design for a transcranial magnetic nerve stimulator, as shown and described.

(73) **Assignee:** **Neotonus, Inc.**, Marietta, GA (US)

DESCRIPTION

(**) **Term:** **14 Years**

FIG. 1 is a perspective view of the transcranial magnetic nerve stimulator of this invention showing the top, front, and right sides of the invention.

(21) **Appl. No.:** **29/130,679**

FIG. 2 is a perspective view of the transcranial magnetic nerve stimulator of this invention showing the front, bottom, and right sides of the invention.

(22) **Filed:** **Oct. 6, 2000**

(51) **LOC (7) Cl.** **24-01**

FIG. 3 is a perspective view of the transcranial magnetic nerve stimulator of this invention showing the top, and left sides and rear portion of the invention; and,

(52) **U.S. Cl.** **D24/200**

FIG. 4 is a perspective view of the transcranial magnetic nerve stimulator of this invention showing the bottom side and rear portion of the invention.

(58) **Field of Search** D24/200; 600/13, 600/15, 9-14

The broken line showing of the through-hole passing from the top to the bottom surfaces and the electrical cord extending from the rear portion of the stimulator is for illustrative purposes only and forms no part of the claimed invention.

(56) **References Cited**

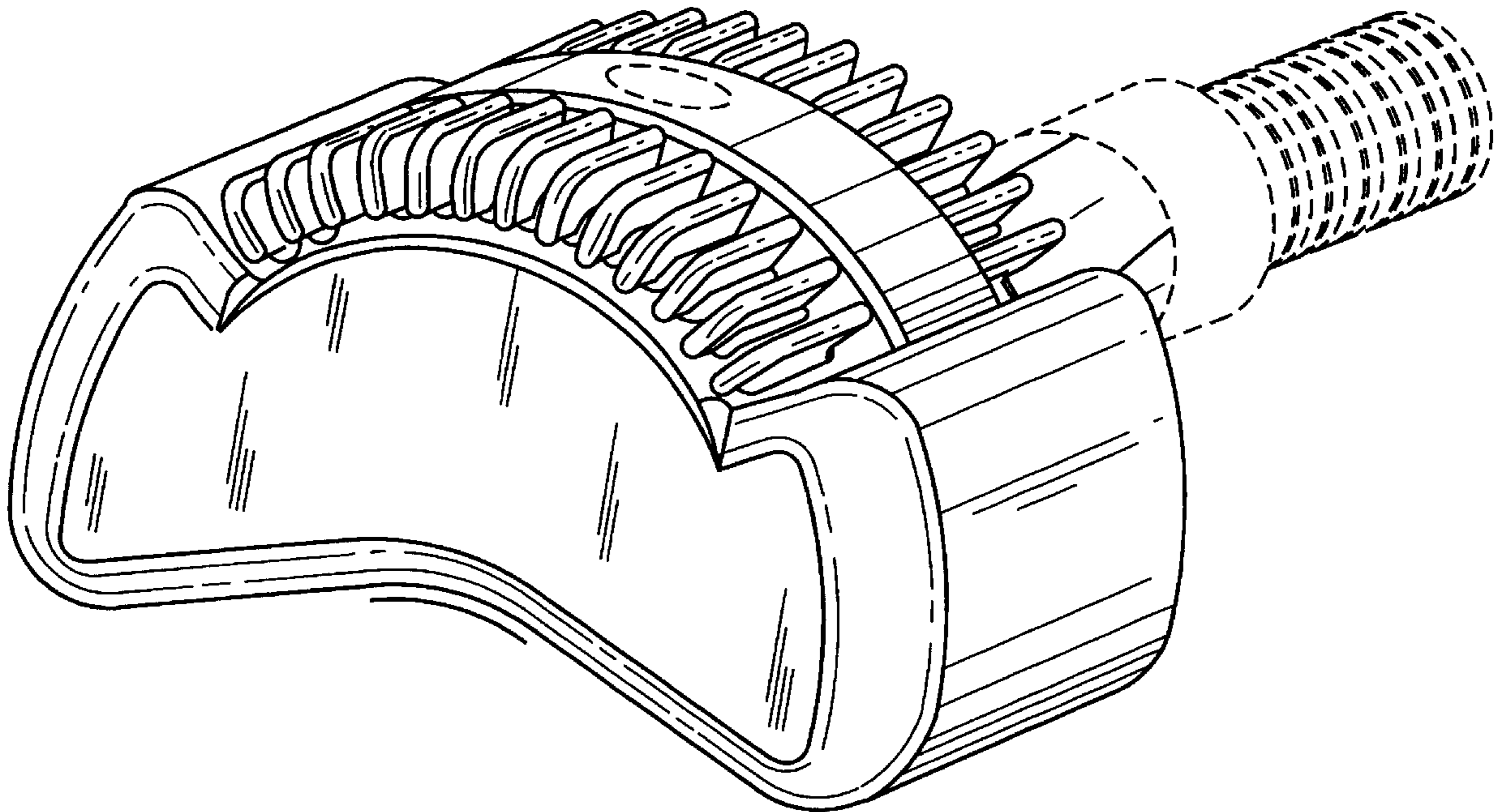
U.S. PATENT DOCUMENTS

4,940,453	*	7/1990	Cadwell	600/13
5,116,304	*	5/1992	Cadwell	600/13
6,132,361	*	10/2000	Epstein et al.	600/13

* cited by examiner

Primary Examiner—Stella Reid

1 Claim, 4 Drawing Sheets



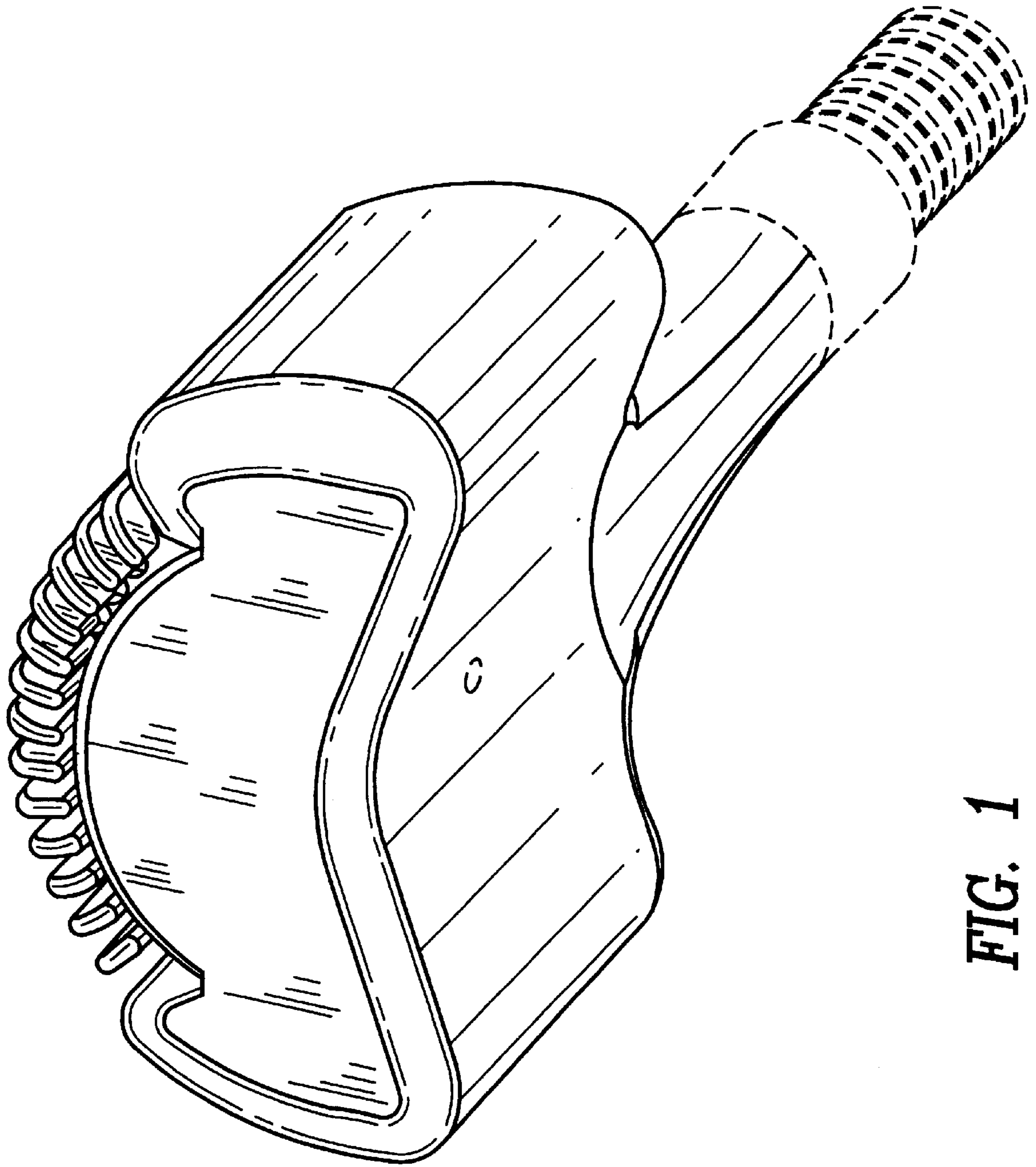


FIG. 1

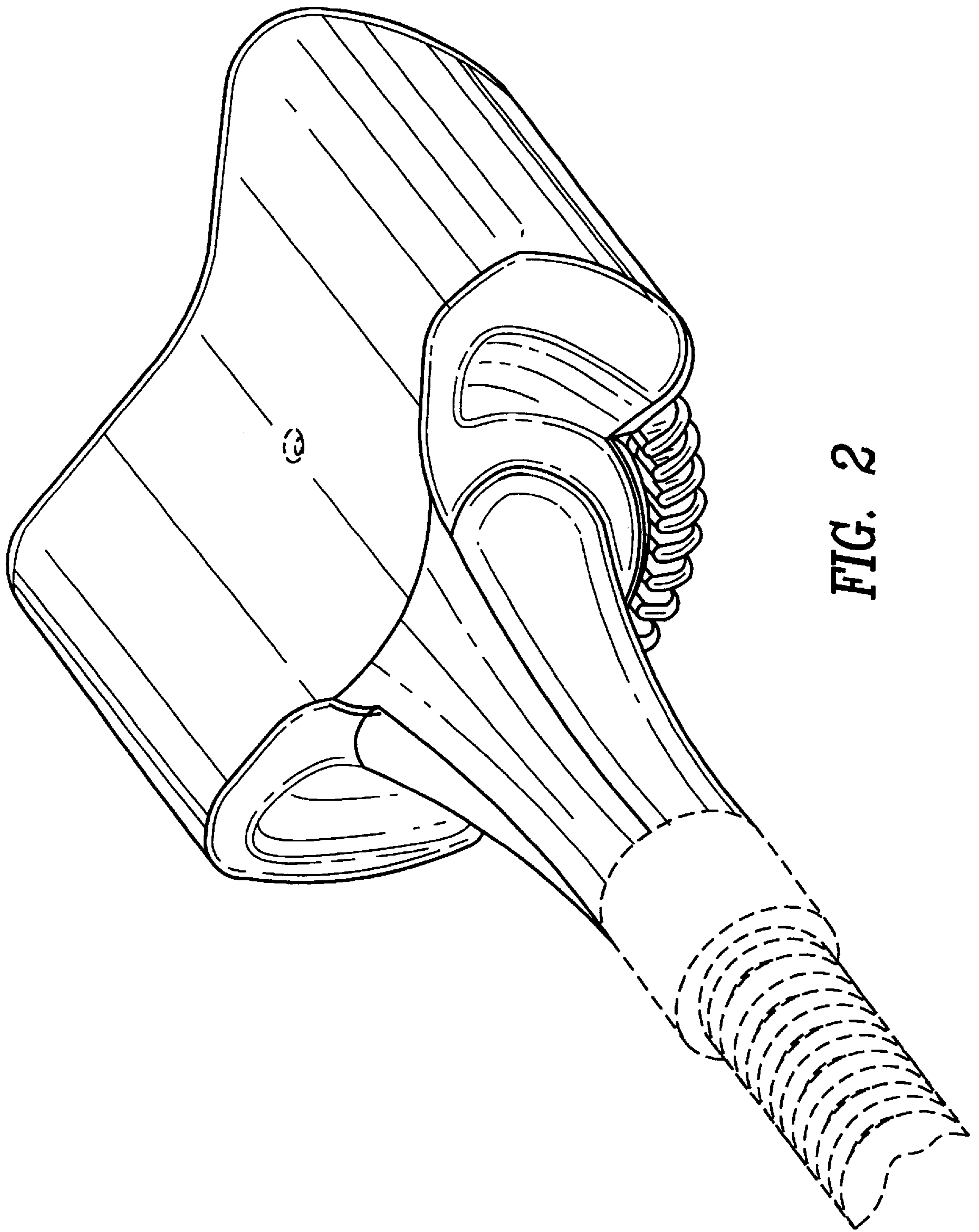


FIG. 2

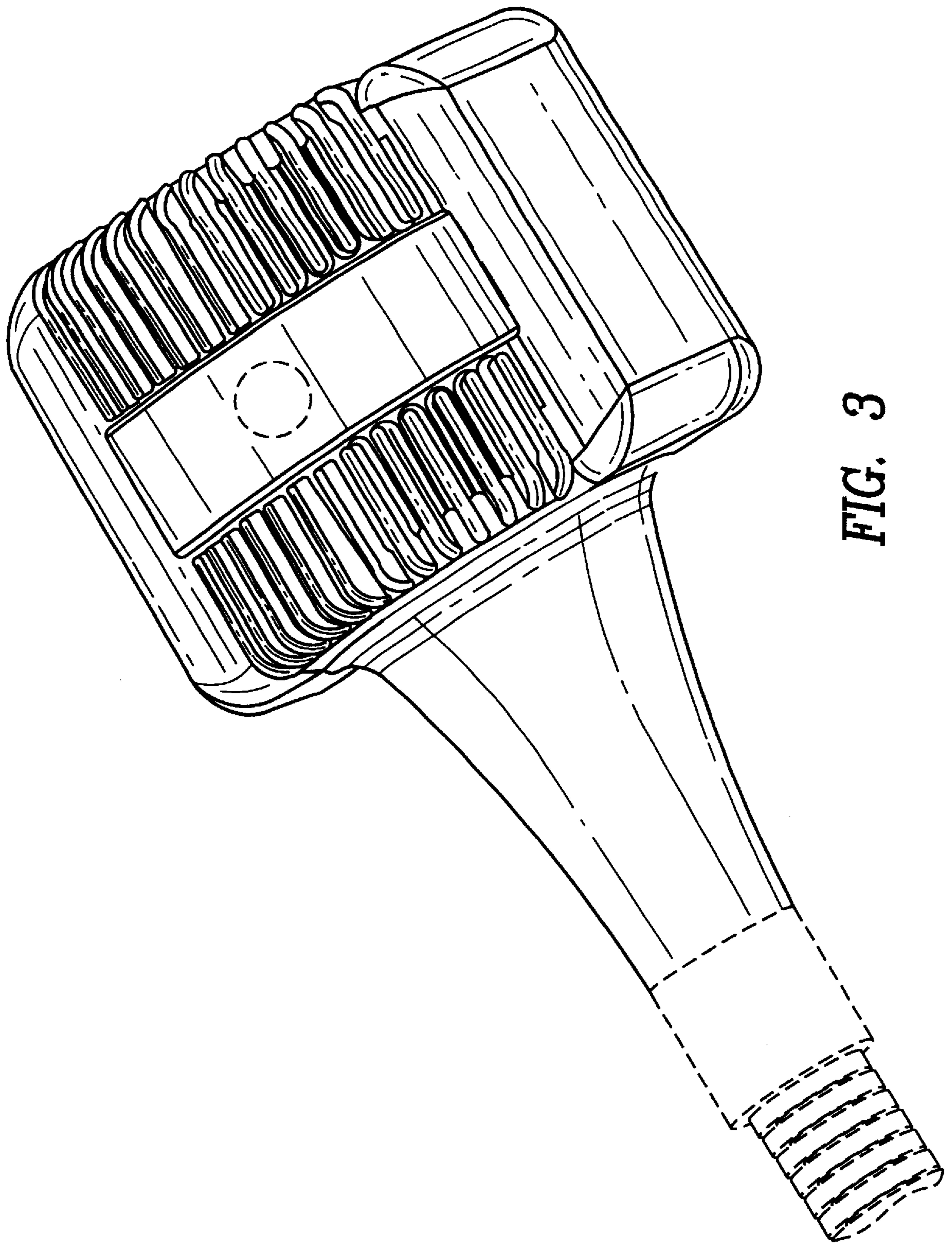


FIG. 3

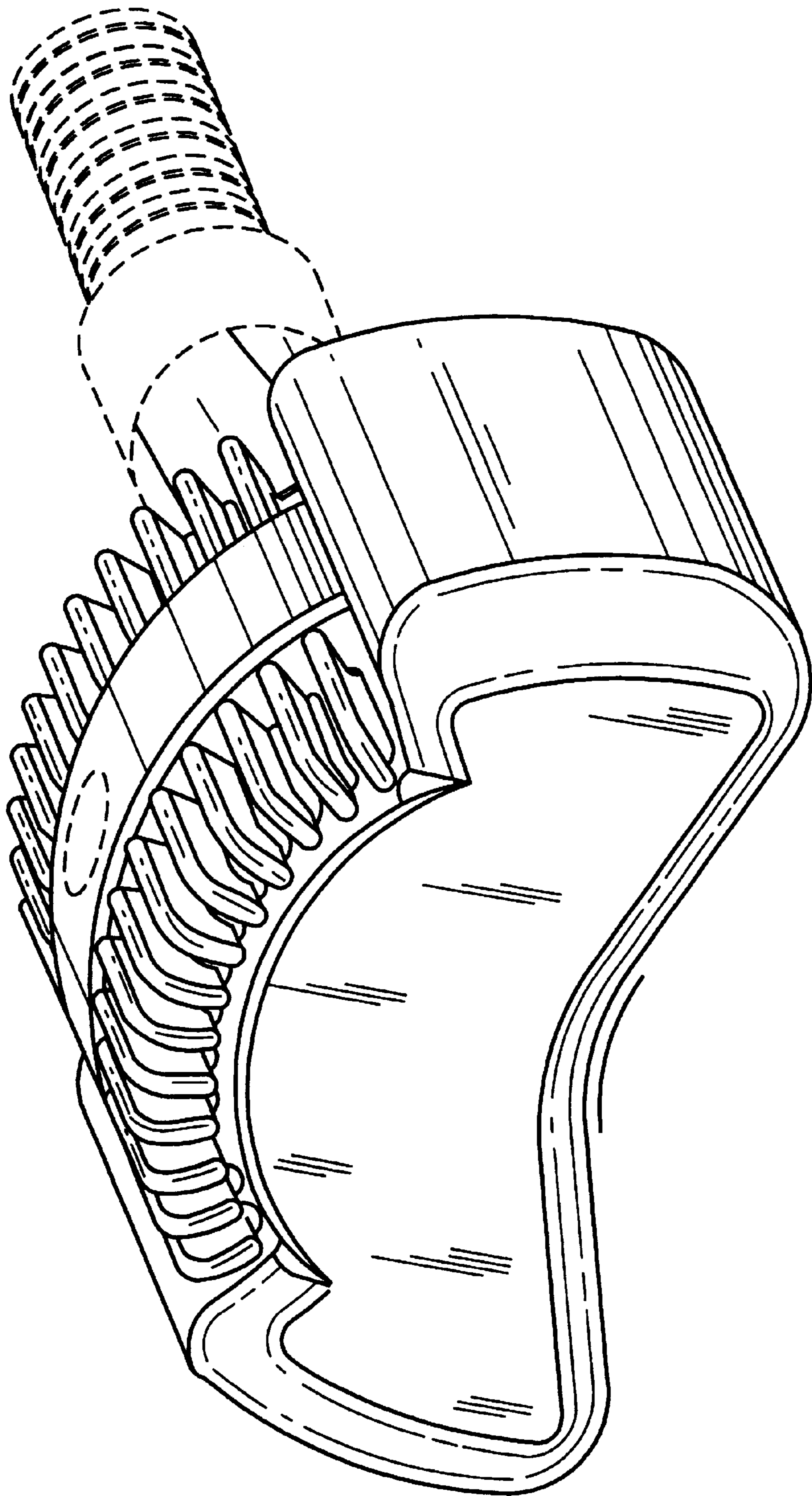


FIG. 4