



US00D447803B1

(12) **United States Design Patent**
Yanagihara et al.

(10) **Patent No.:** **US D447,803 S**

(45) **Date of Patent:** **** Sep. 11, 2001**

(54) **NUCLEAR MAGNETIC RESONANCE
TOMOGRAPHIC APPARATUS**

(75) **Inventors:** **Koji Yanagihara; Osamu Furuta;
Tadashi Tsukahara; Kiyoshi
Matsumura, all of Tokyo (JP)**

(73) **Assignee:** **GE Medical Systems Global
Technology Company, LLC,
Waukesha, WI (US)**

(**) **Term:** **14 Years**

(21) **Appl. No.:** **29/136,022**

(22) **Filed:** **Jan. 23, 2001**

(30) **Foreign Application Priority Data**

Aug. 7, 2000 (JP) 12-025198

(51) **LOC (7) Cl.** **24-01**

(52) **U.S. Cl.** **D24/159**

(58) **Field of Search** D24/159, 158;
324/318, 319, 308, 309; 600/410; 378/4-12

(56) **References Cited**

U.S. PATENT DOCUMENTS

D. 300,849 * 4/1989 Steinhilber et al. D24/159

D. 347,063 * 5/1994 Ariyoshi et al. D24/159
D. 386,261 * 11/1997 Lee et al. D24/159
4,015,129 * 3/1977 Manring 378/4
4,304,999 * 12/1981 Richey et al. 378/4
4,629,989 * 12/1986 Riehl et al. 324/318

* cited by examiner

Primary Examiner—Stella Reid

(74) *Attorney, Agent, or Firm*—Moonray Kojima

(57) **CLAIM**

The ornamental design for nuclear magnetic resonance tomographic apparatus, as shown and described.

DESCRIPTION

FIG. 1 is a front elevation view of a nuclear magnetic resonance tomographic apparatus, showing our new design.

FIG. 2 is a rear view thereof.

FIG. 3 is a top view thereof.

FIG. 4 is a bottom view thereof.

FIG. 5 is a right side view thereof, with the left side view thereof being an identical symmetrical view thereof; and,

FIG. 6 is a perspective view thereof.

1 Claim, 5 Drawing Sheets

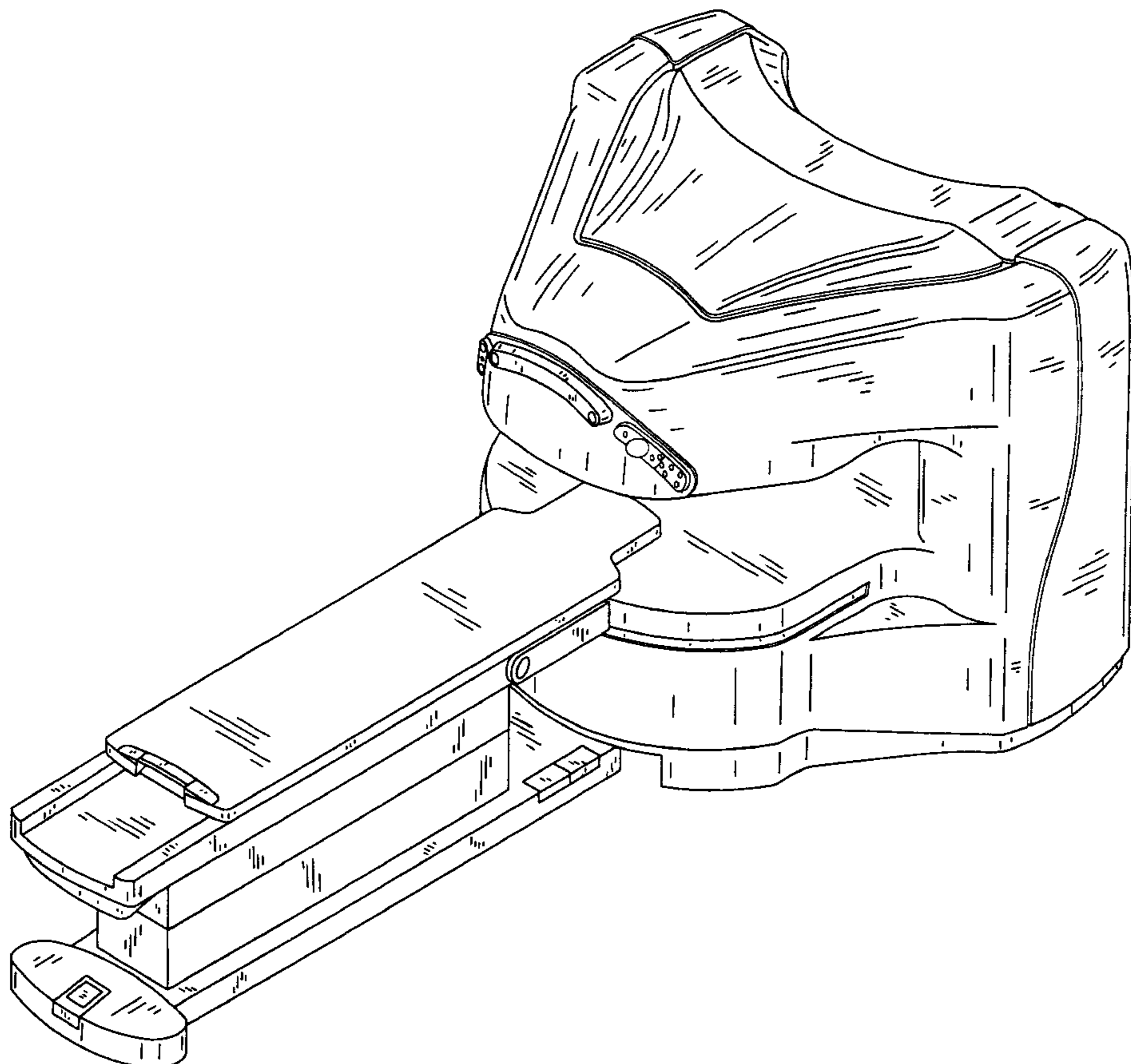


FIG. 1

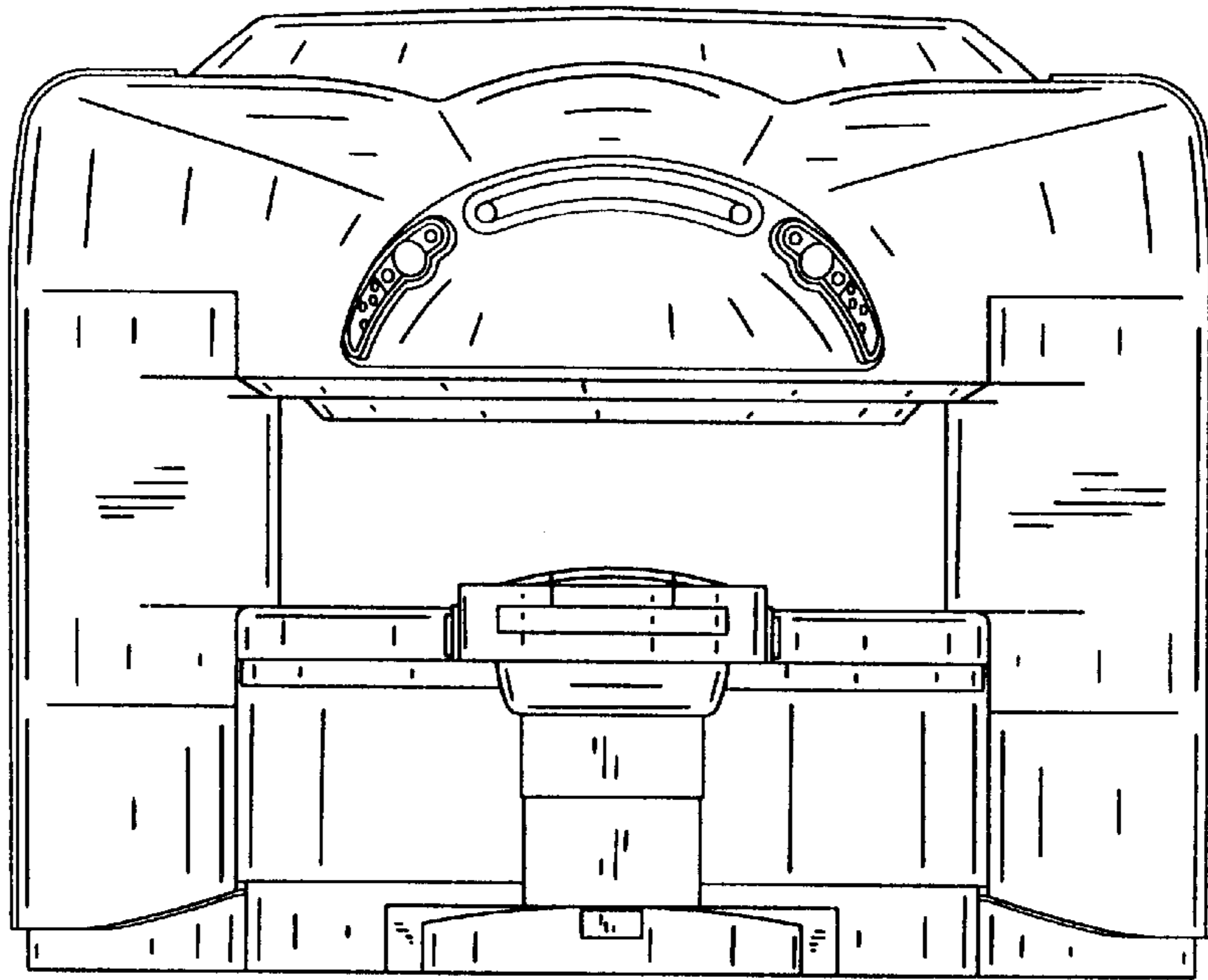


FIG. 2

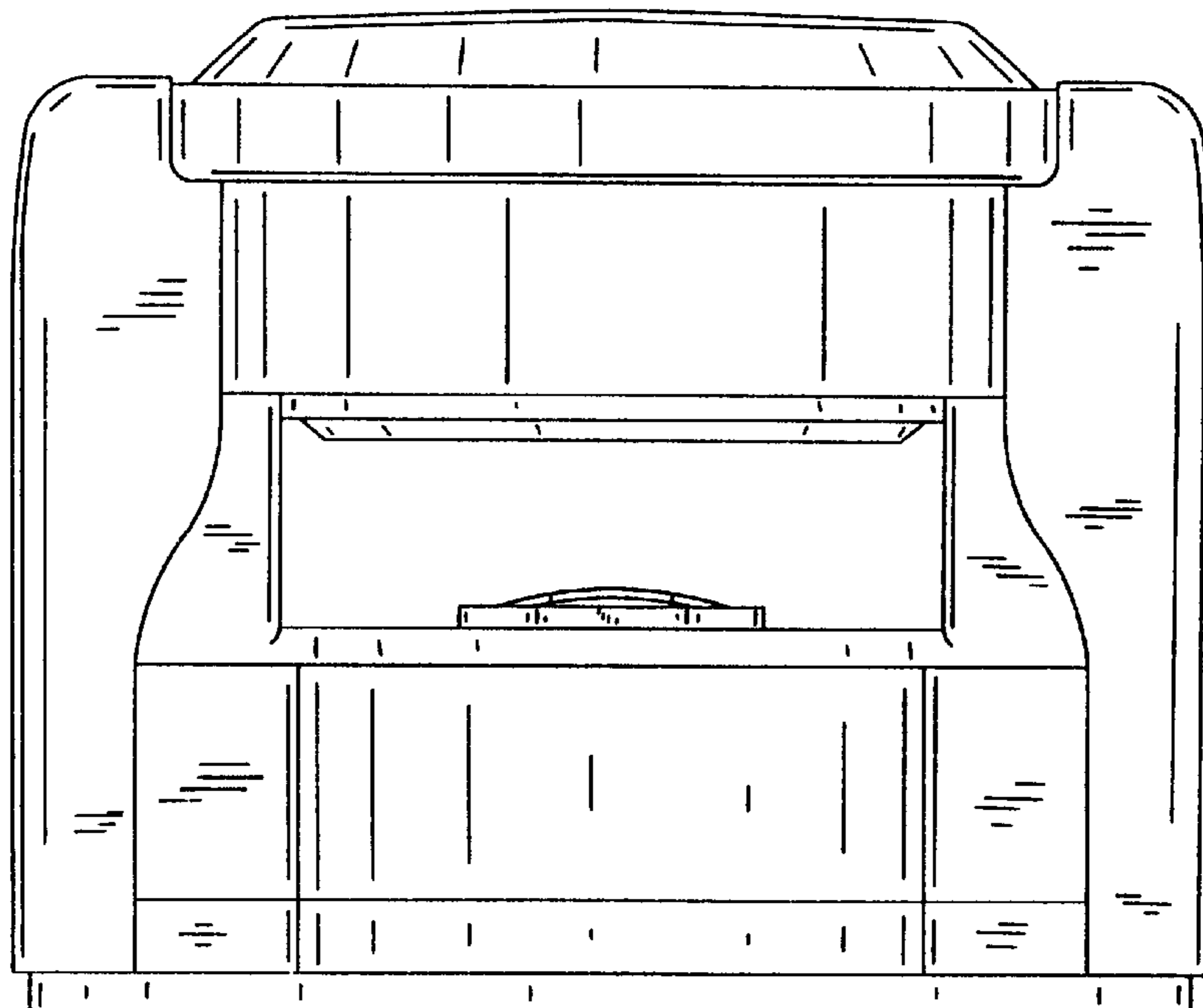


FIG. 3

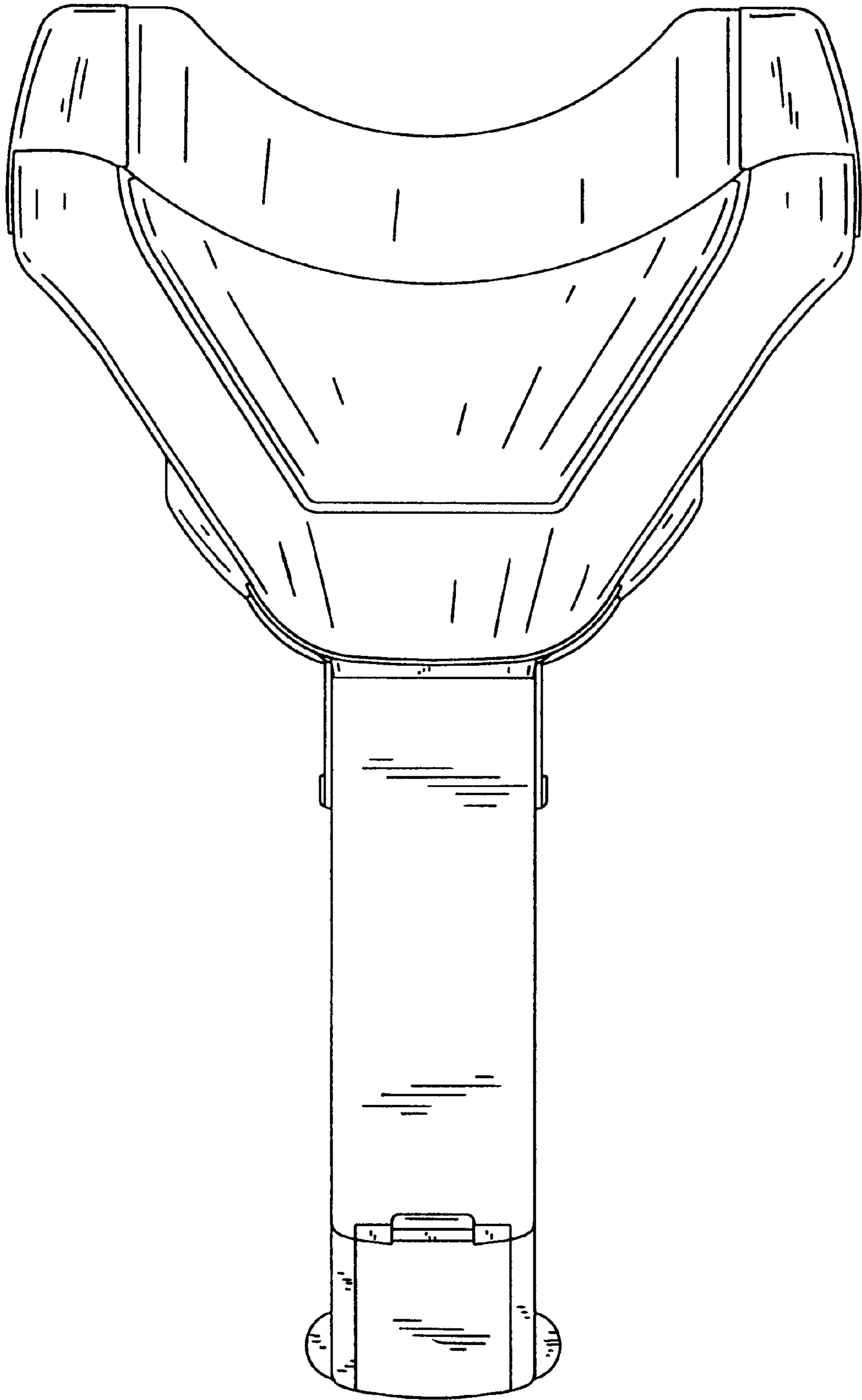


FIG. 4

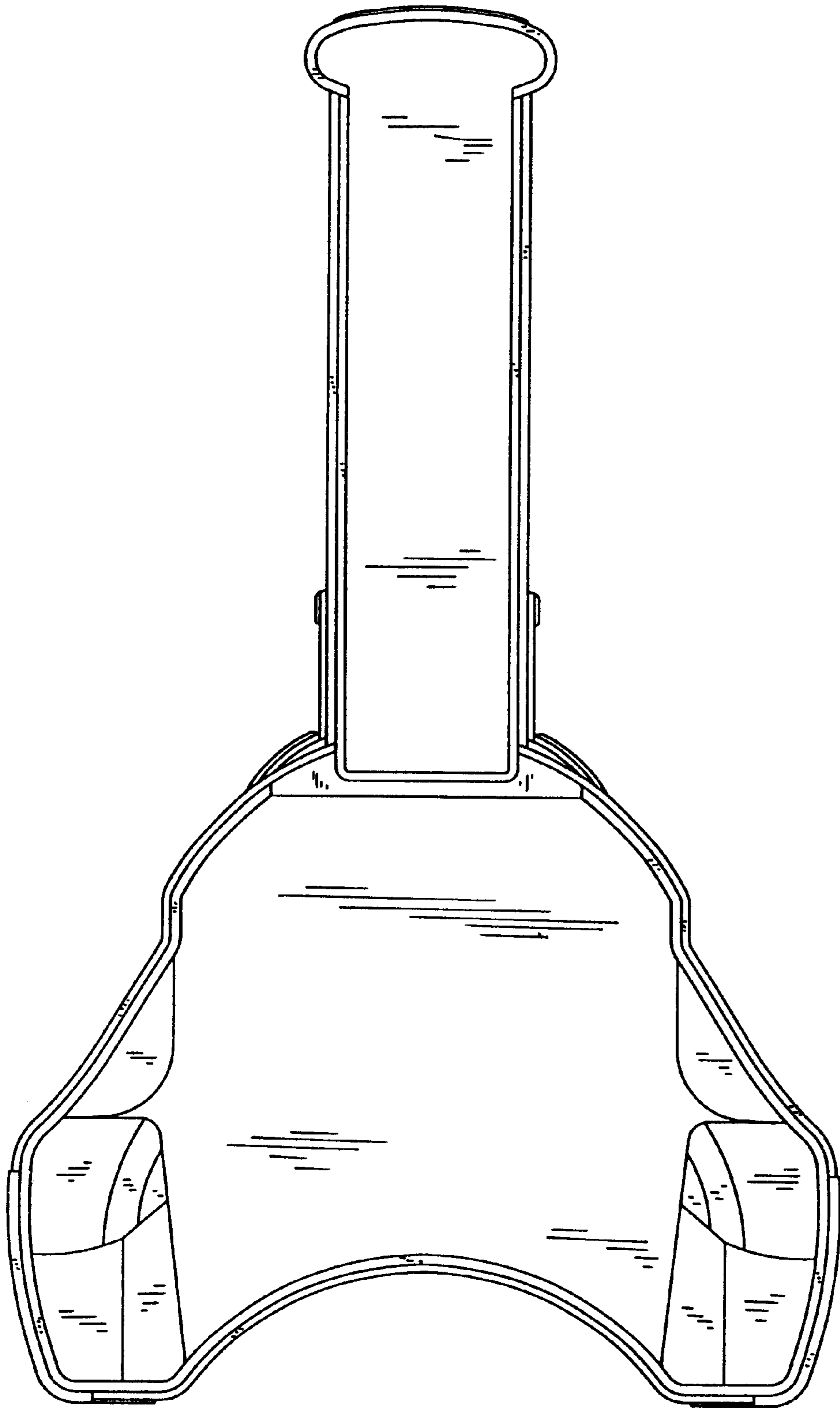


FIG. 5

