



US00D447799B1

(12) **United States Design Patent**
Jun

(10) **Patent No.:** **US D447,799 S**

(45) **Date of Patent:** **** Sep. 11, 2001**

(54) **SYRINGE CAP**

5,647,849 * 7/1997 Kalin 604/198
5,931,817 * 8/1999 Nguyen et al. 604/263

(75) Inventor: **John J. Jun**, Yorba Linda, CA (US)

* cited by examiner

(73) Assignee: **Pro-Tech Mold, Inc.**, Orange, CA (US)

Primary Examiner—Ian Simmons

(**) Term: **14 Years**

(74) *Attorney, Agent, or Firm*—Birch, Stewart, Kolasch & Birch, LLP

(21) Appl. No.: **29/126,763**

(57) **CLAIM**

(22) Filed: **Jul. 25, 2000**

The ornamental design for a syringe cap, as shown and described.

(51) **LOC (7) Cl.** **24-02**

(52) **U.S. Cl.** **D24/130**

(58) **Field of Search** D24/130, 224,
D24/112, 113, 114, 121; 600/577, 576;
422/916; 604/263, 192, 222, 193, 194,
198, 403, 411, 414, 415; 215/DIG. 3

DESCRIPTION

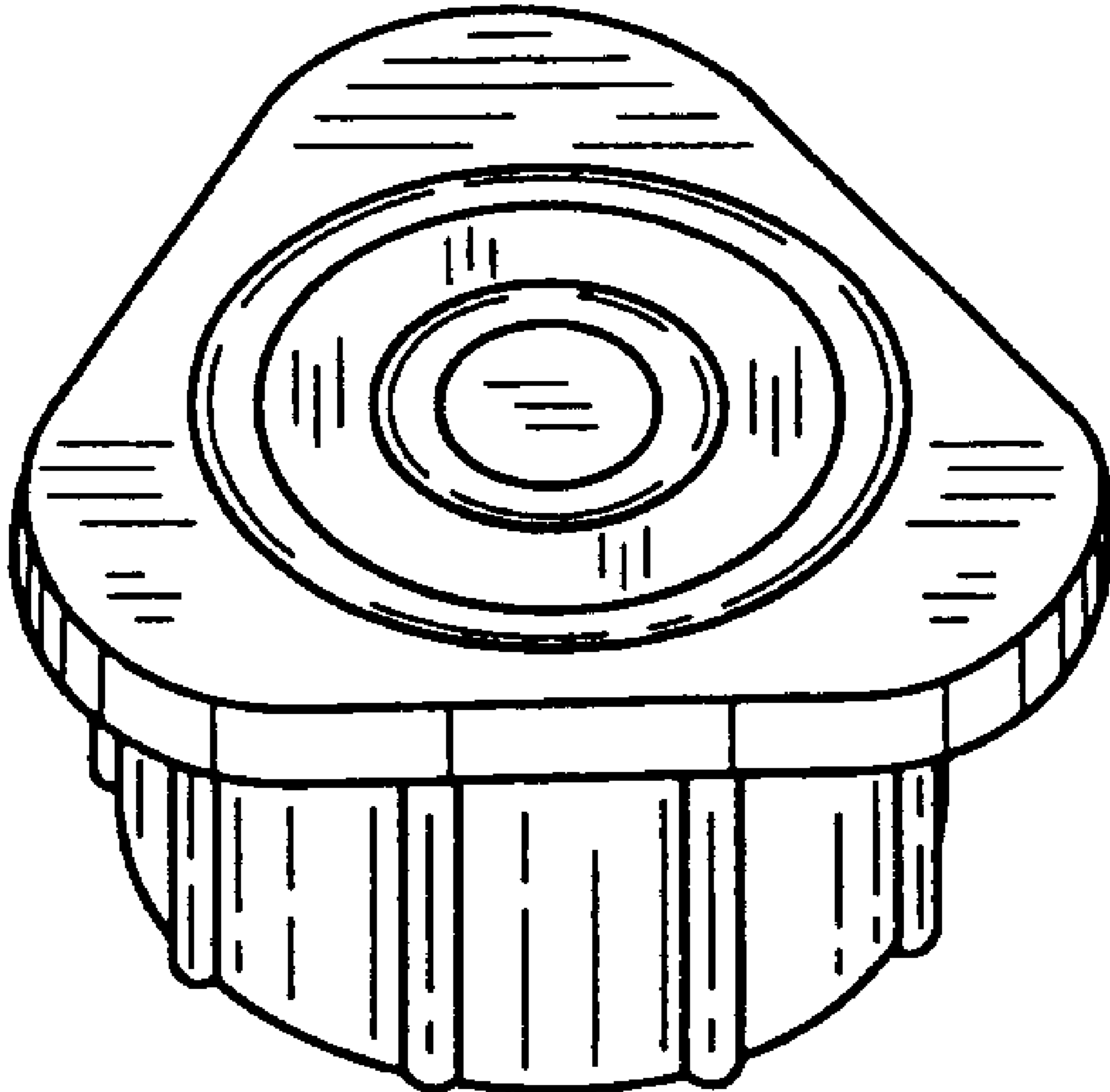
(56) **References Cited**

FIG. 1 is a perspective view of the syringe cap showing my new design;
FIG. 2 is a front elevational view thereof;
FIG. 3 is a rear elevational view thereof;
FIG. 4 is a top plan view thereof;
FIG. 5 is a bottom plan view thereof; and,
FIG. 6 is a left side elevational view thereof, the side opposite being a mirror image.

U.S. PATENT DOCUMENTS

D. 302,206 * 7/1989 McAlister et al. D24/130
3,017,050 * 1/1962 Barr, Sr. et al. D24/224
5,554,127 * 9/1996 Crouther et al. 604/192

1 Claim, 1 Drawing Sheet



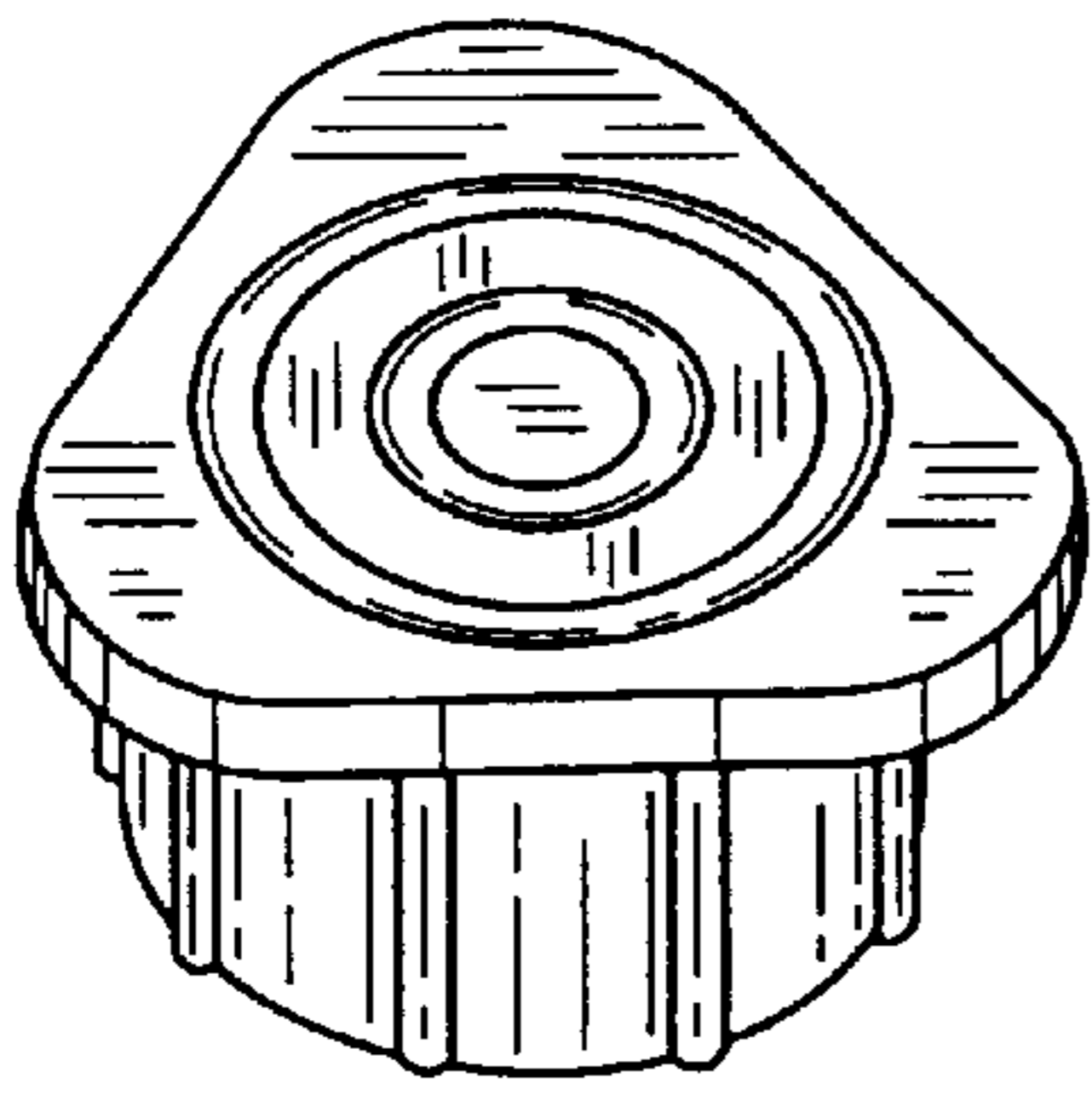


FIG. 1

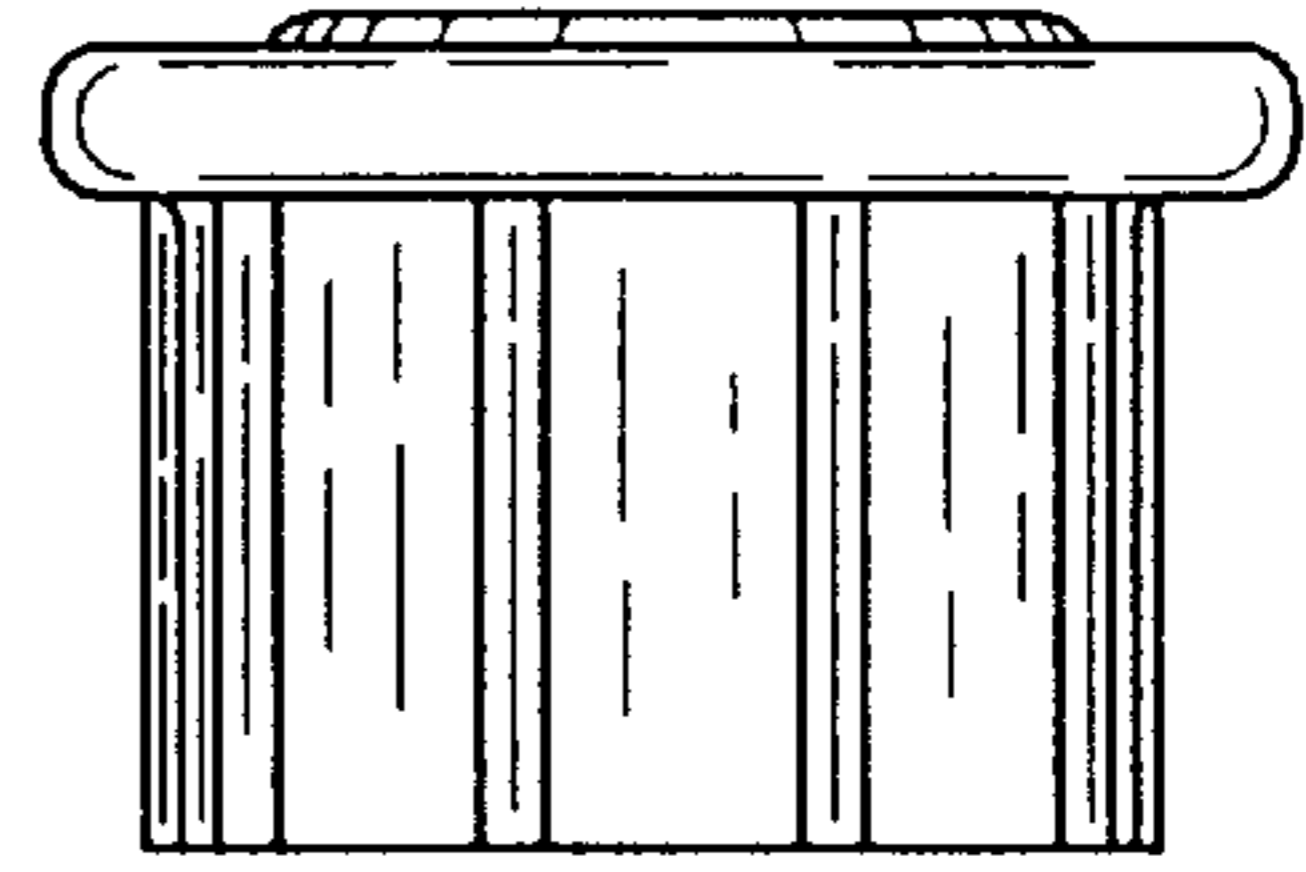


FIG. 2

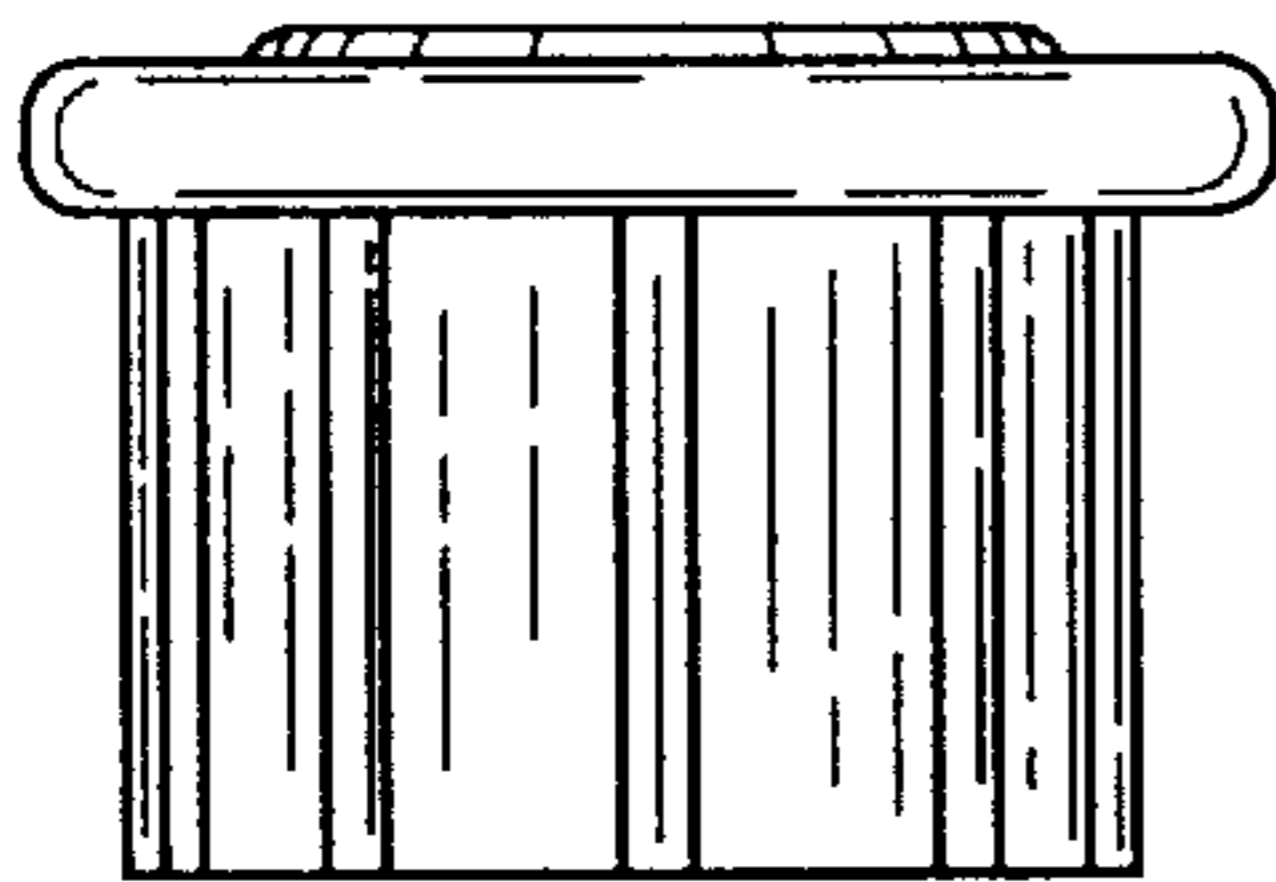


FIG. 4

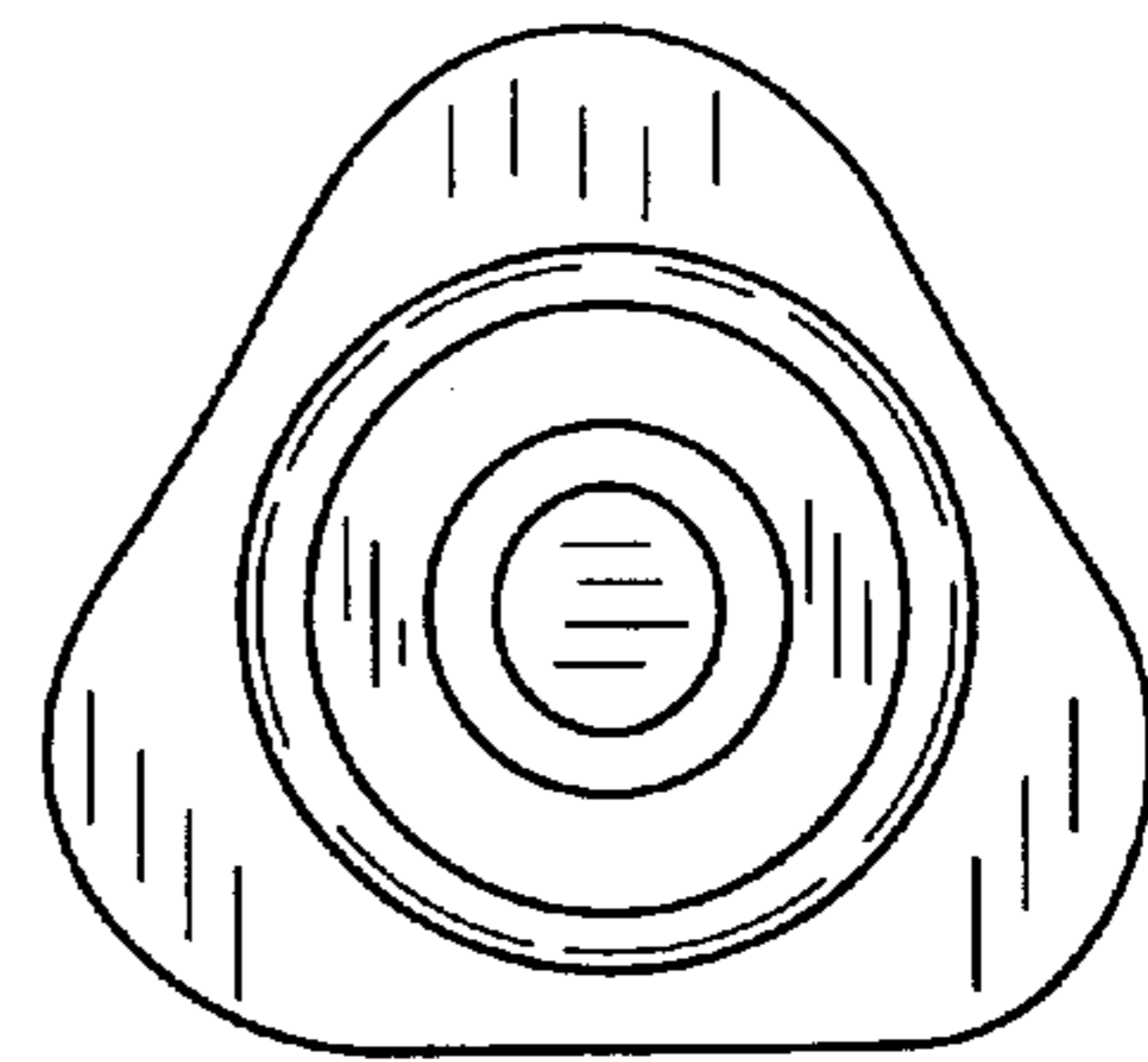


FIG. 3

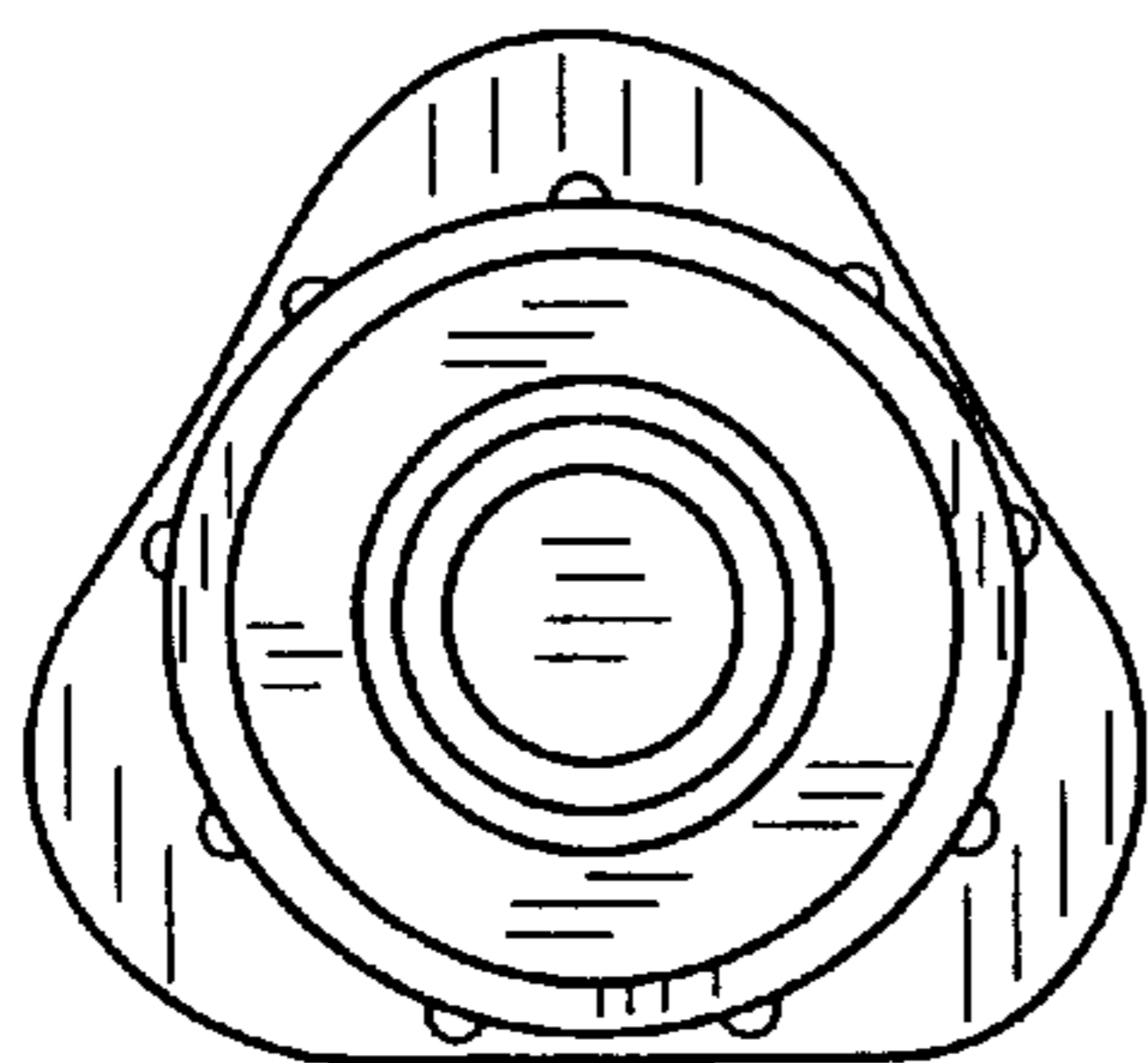


FIG. 5

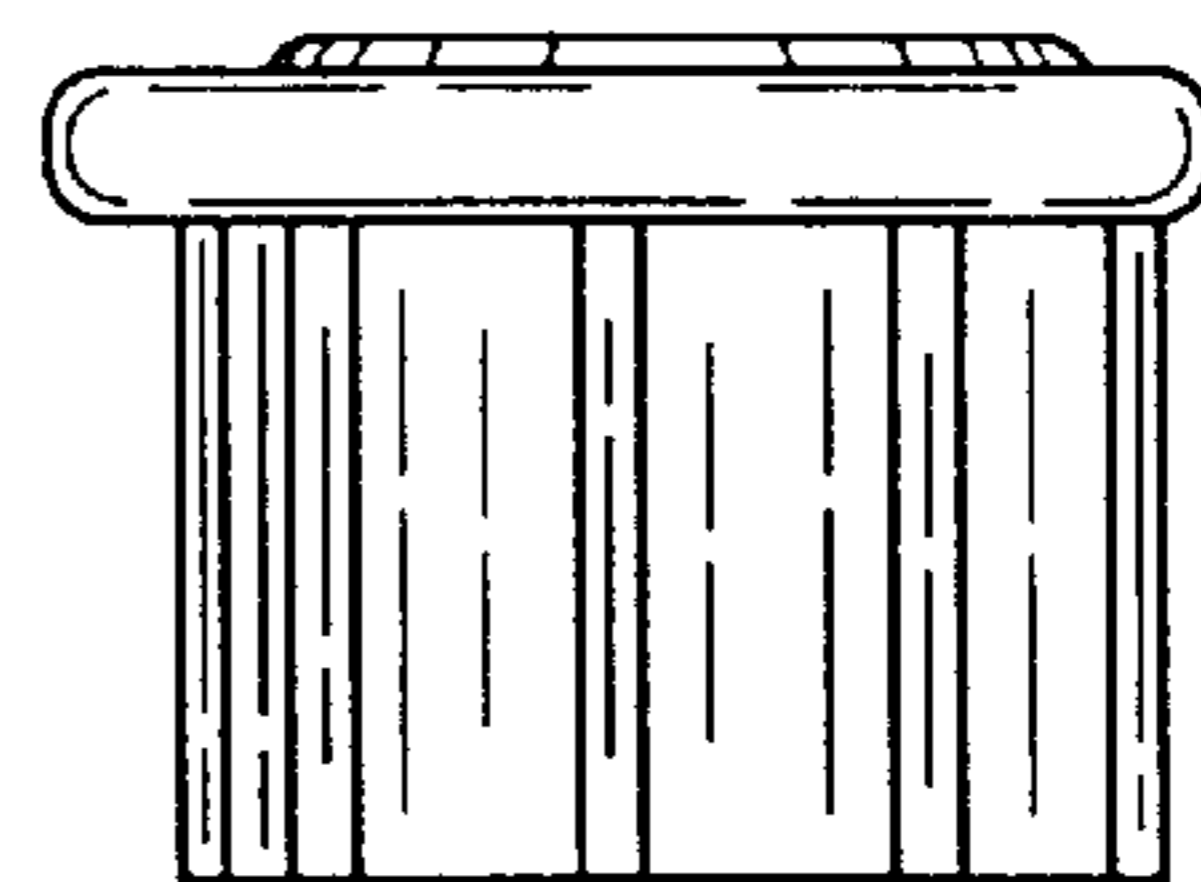


FIG. 6