



US00D447797B1

(12) **United States Design Patent**
Odell et al.

(10) **Patent No.:** **US D447,797 S**

(45) **Date of Patent:** **** Sep. 11, 2001**

(54) **SYRINGE**

(75) **Inventors:** **Robert B. Odell**, Franklin Lakes, NJ (US); **Lawrence J. Zach**, Columbus, NE (US); **Alex S. Wallace**, Mahwah, NJ (US)

(73) **Assignee:** **Becton, Dickinson and Company**, Franklin Lakes, NJ (US)

(**) **Term:** **14 Years**

(21) **Appl. No.:** **29/094,855**

(22) **Filed:** **Oct. 13, 1998**

(51) **LOC (7) Cl.** **24-02**

(52) **U.S. Cl.** **D24/112; D24/114**

(58) **Field of Search** D24/112, 130, D24/114; 604/263, 403, 192, 187, 218, 243, 220, 232, 110, 228, 227, 236, 193, 194, 198

(56) **References Cited**

U.S. PATENT DOCUMENTS

D. 383,205	*	9/1997	Pagay et al.	D24/112
D. 403,064	*	12/1998	Einav et al.	D24/114
D. 406,643	*	3/1999	Niedospial, Jr. et al.	D24/112
3,380,489	*	4/1968	Harauteucian	D24/130

3,987,930	*	10/1976	Fuson	604/187
5,322,515	*	6/1994	Karas et al.	604/192
5,496,288	*	3/1996	Sweeney	604/263
5,814,017	*	9/1998	Kashmer	604/110
5,820,603	*	10/1998	Tucker et al.	604/187
5,985,962	*	11/1999	Knors et al.	604/187

* cited by examiner

Primary Examiner—Stella Reid

Assistant Examiner—I Simmons

(74) *Attorney, Agent, or Firm*—John L. Voellmicke

(57) **CLAIM**

The ornamental design for a syringe, as shown and described.

DESCRIPTION

FIG. 1 is a perspective view of a syringe, showing our design;

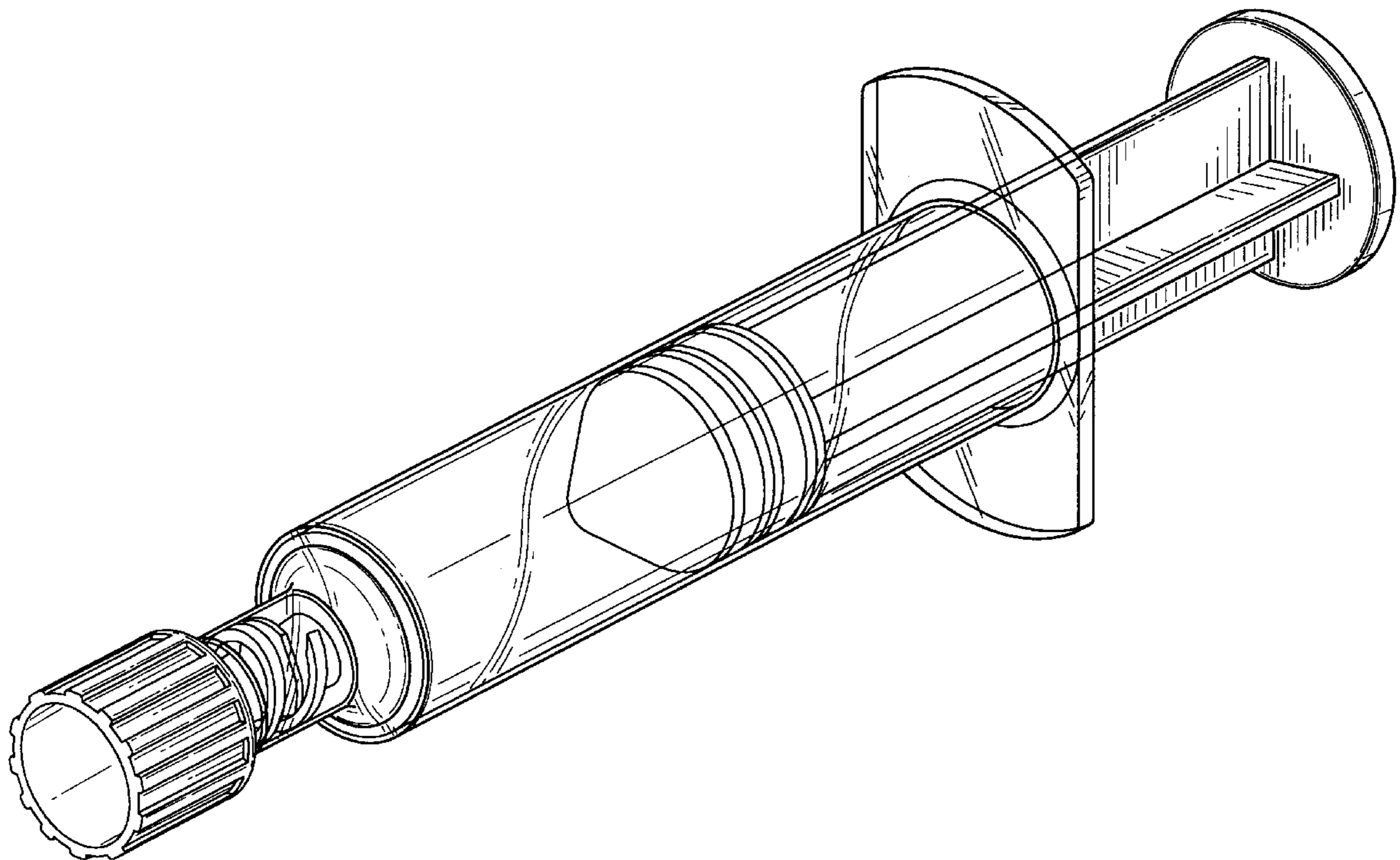
FIG. 2 is a left-side elevational view of the syringe of FIG. 1;

FIG. 3 is a right-side elevational view of the syringe of FIG. 1;

FIG. 4 is a front elevational view of the syringe of FIG. 1, the rear elevational view being a mirror image thereof; and

FIG. 5 is a top-plan view of the syringe of FIG. 1, the bottom plan view being a mirror image thereof.

1 Claim, 4 Drawing Sheets



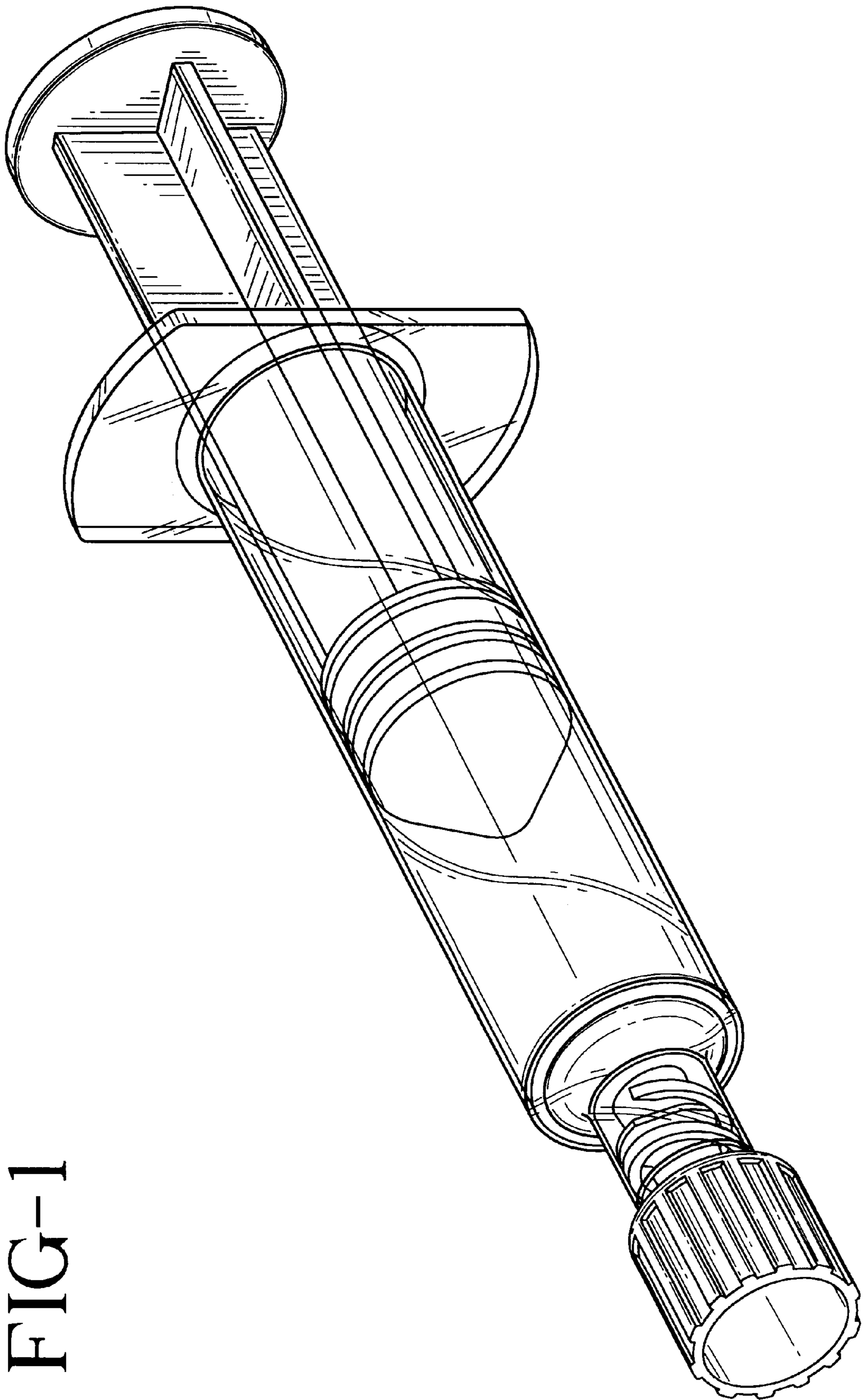


FIG-1

FIG-3

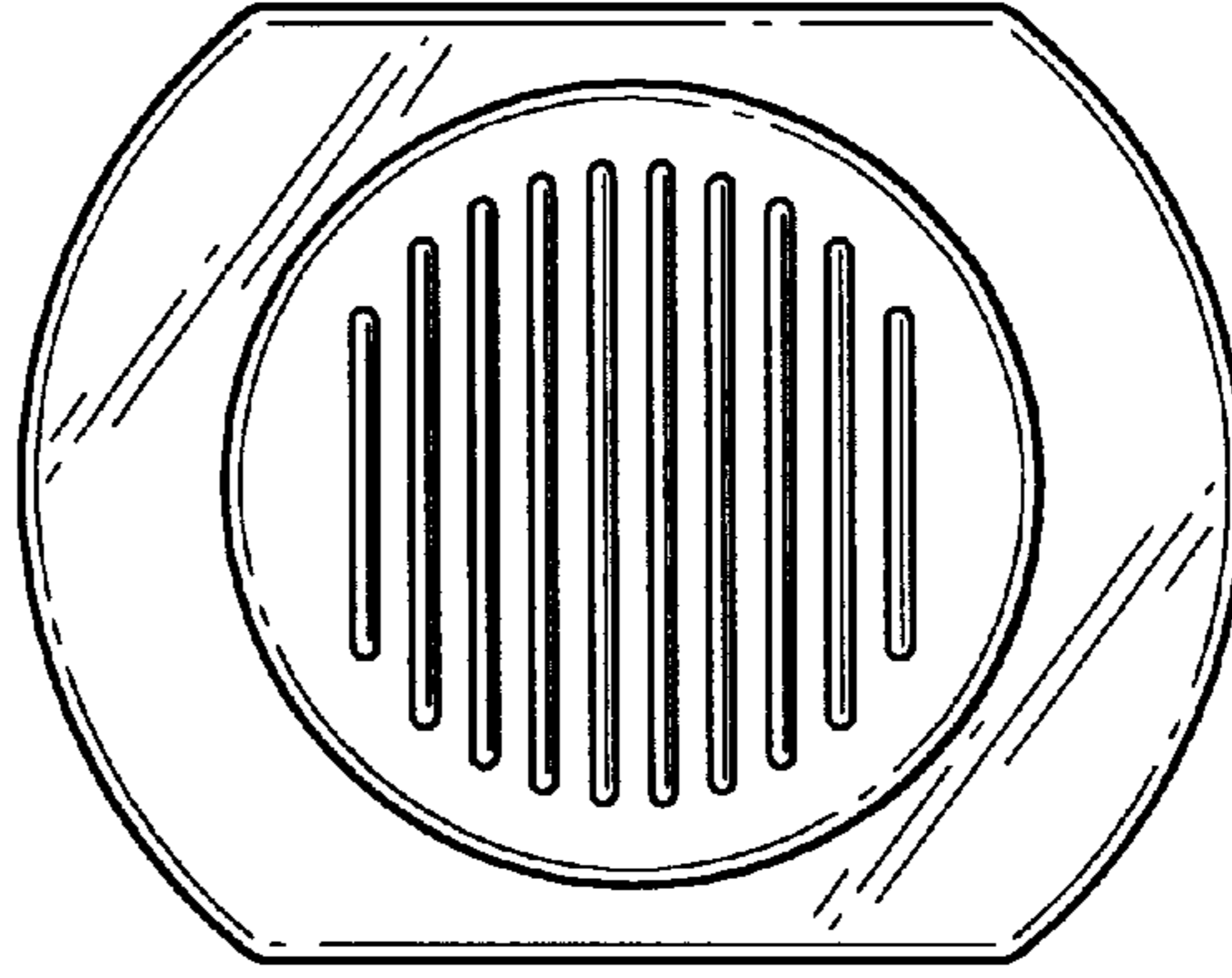
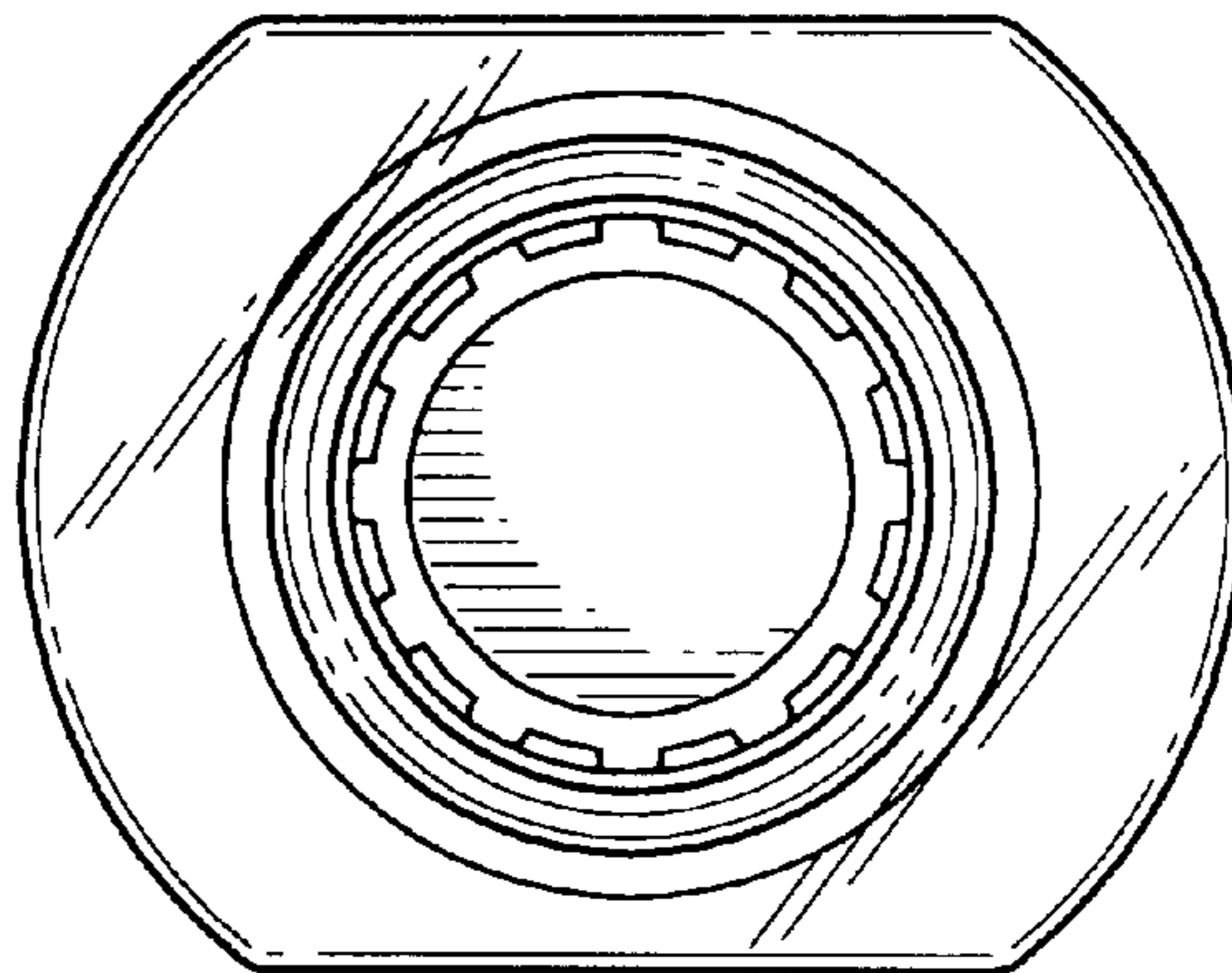


FIG-2



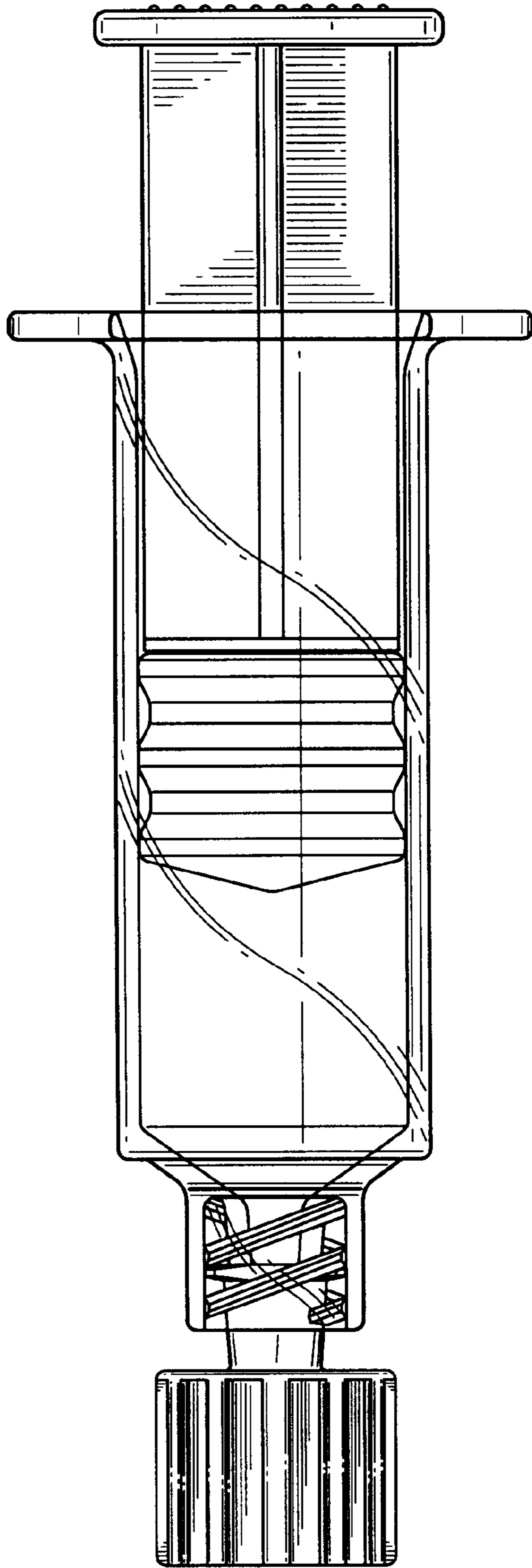


FIG-4

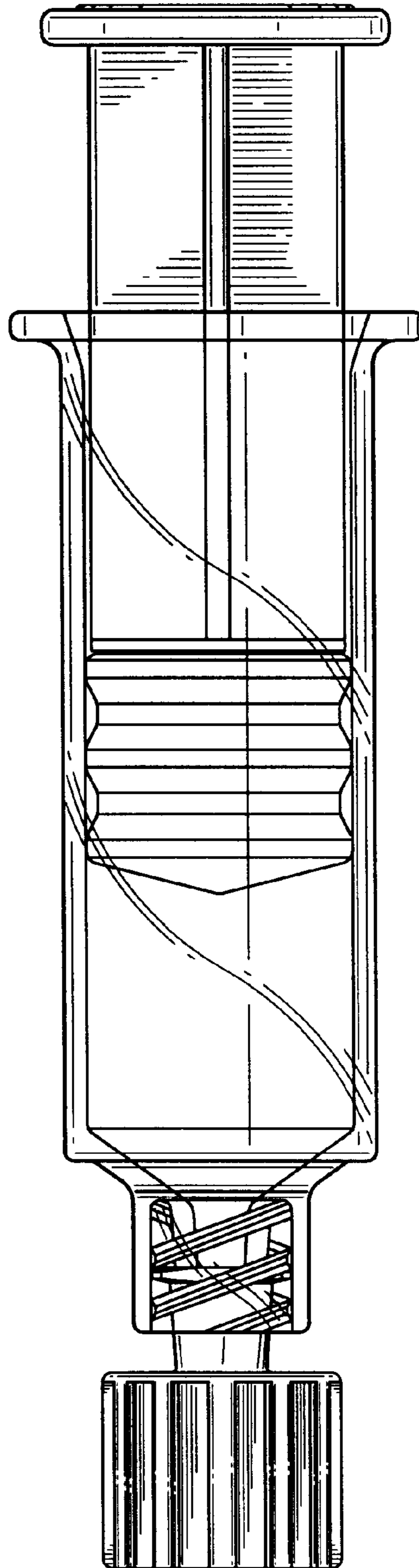


FIG-5