



US00D447796B1

(12) **United States Design Patent** (10) **Patent No.:** **US D447,796 S**
Resmo et al. (45) **Date of Patent:** **** Sep. 11, 2001**

- (54) **MINIATURE PATIO HEATER BASE**
- (75) Inventors: **Michael Resmo**, Castle Rock, CO (US); **S. B. Yoon**, Bu San (KR)
- (73) Assignee: **CFM-RMC International, Inc.**, Huntingdon, IN (US)
- (**) Term: **14 Years**
- (21) Appl. No.: **29/129,526**
- (22) Filed: **Sep. 15, 2000**
- (51) **LOC (7) Cl.** **23-02**
- (52) **U.S. Cl.** **D23/386; D23/342**
- (58) **Field of Search** D23/342, 386, D23/337, 341, 332; 135/16; 392/435, 422, 423, 440; 362/431

(56) **References Cited**

U.S. PATENT DOCUMENTS

- D. 325,963 5/1992 Anderson D23/342
- D. 429,324 * 8/2000 Olson et al. D23/342
- 5,964,233 10/1999 Clark et al. 135/16

FOREIGN PATENT DOCUMENTS

- 976 679 A1 2/2000 (EP) .
- 2764677 12/1998 (FR) .

OTHER PUBLICATIONS

Solutions Brochure, "Outdoor Heater", Mar. 1999, p. 55. (2 pp.).
<http://raytech.simplenet.com/heaters/heatersunglo.htm>,
 "SUNGLO style heater", Dec. 20, 1999, *Raytech* , 3 pp.

<http://www.easyradiantworks.com/sub/patio.eht>, "Patio Plus Outdoor Heater", *Easy Radiant Works*, Dec. 20, 1999, 2 pp.
Improvements Catalog, "Firepole Space Heater", Mar. 3, 2000, 1 pg.

* cited by examiner

Primary Examiner—Mitchell Siegel
 (74) *Attorney, Agent, or Firm*—Sheridan Ross P.C.

(57) **CLAIM**

The ornamental design of an miniature patio heater base, as shown and described.

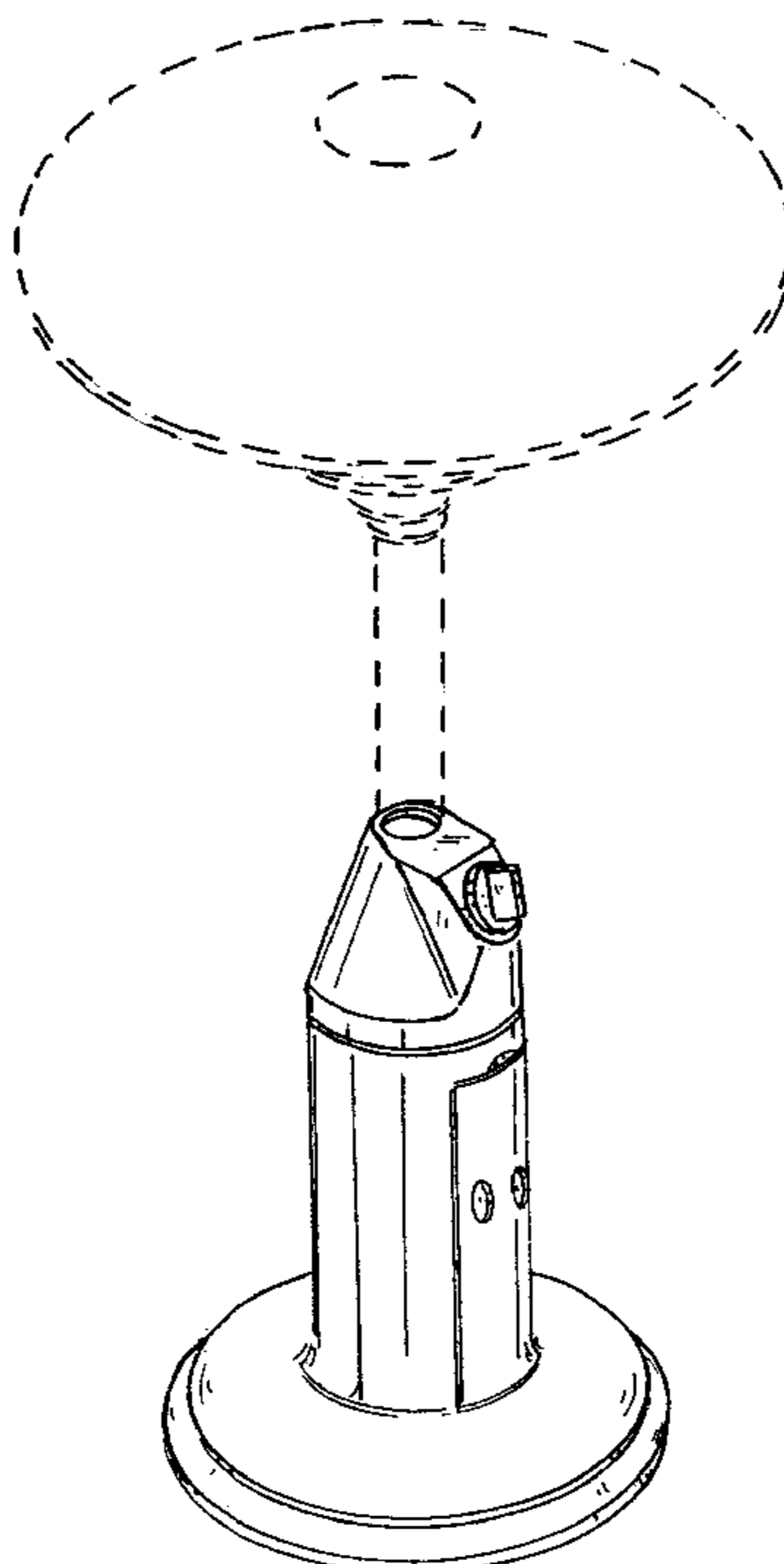
DESCRIPTION

- FIG. 1 is a top perspective view of an miniature patio heater base showing our new design;
- FIG. 2 is a front elevation of FIG. 1;
- FIG. 3 is a rear elevation of FIG. 1;
- FIG. 4 is a right side elevation of FIG. 1;
- FIG. 5 is a bottom plan view of FIG. 1; and,
- FIG. 6 is a top plan view of FIG. 1.

The shroud and supporting post shown in dotted lines in FIG. 1 form no part of the claimed invention but merely illustrate the environment in which the invention is used.

The broken line showing is for illustrative purposes only and forms no part of the claimed design.

1 Claim, 3 Drawing Sheets



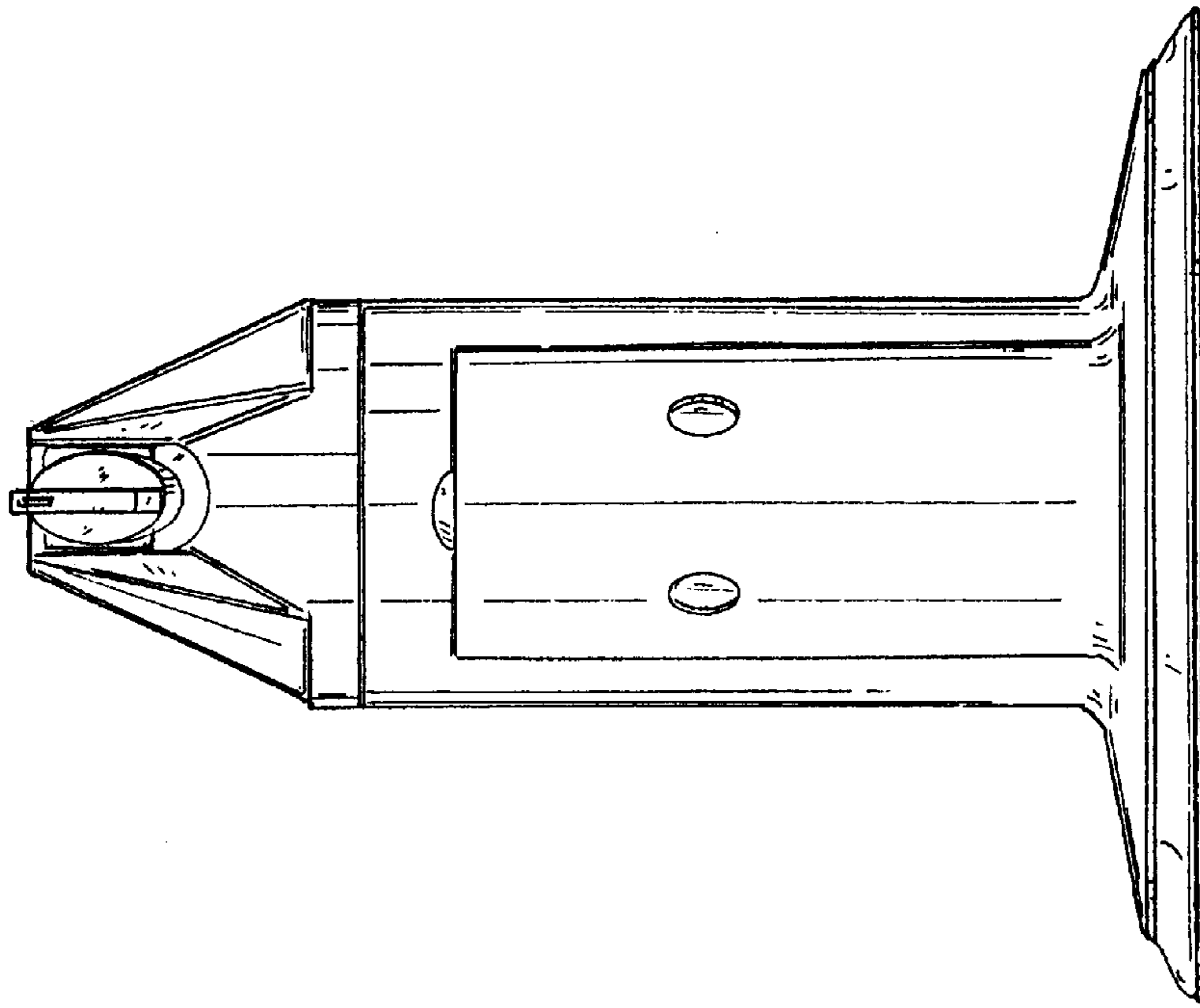


Fig-2

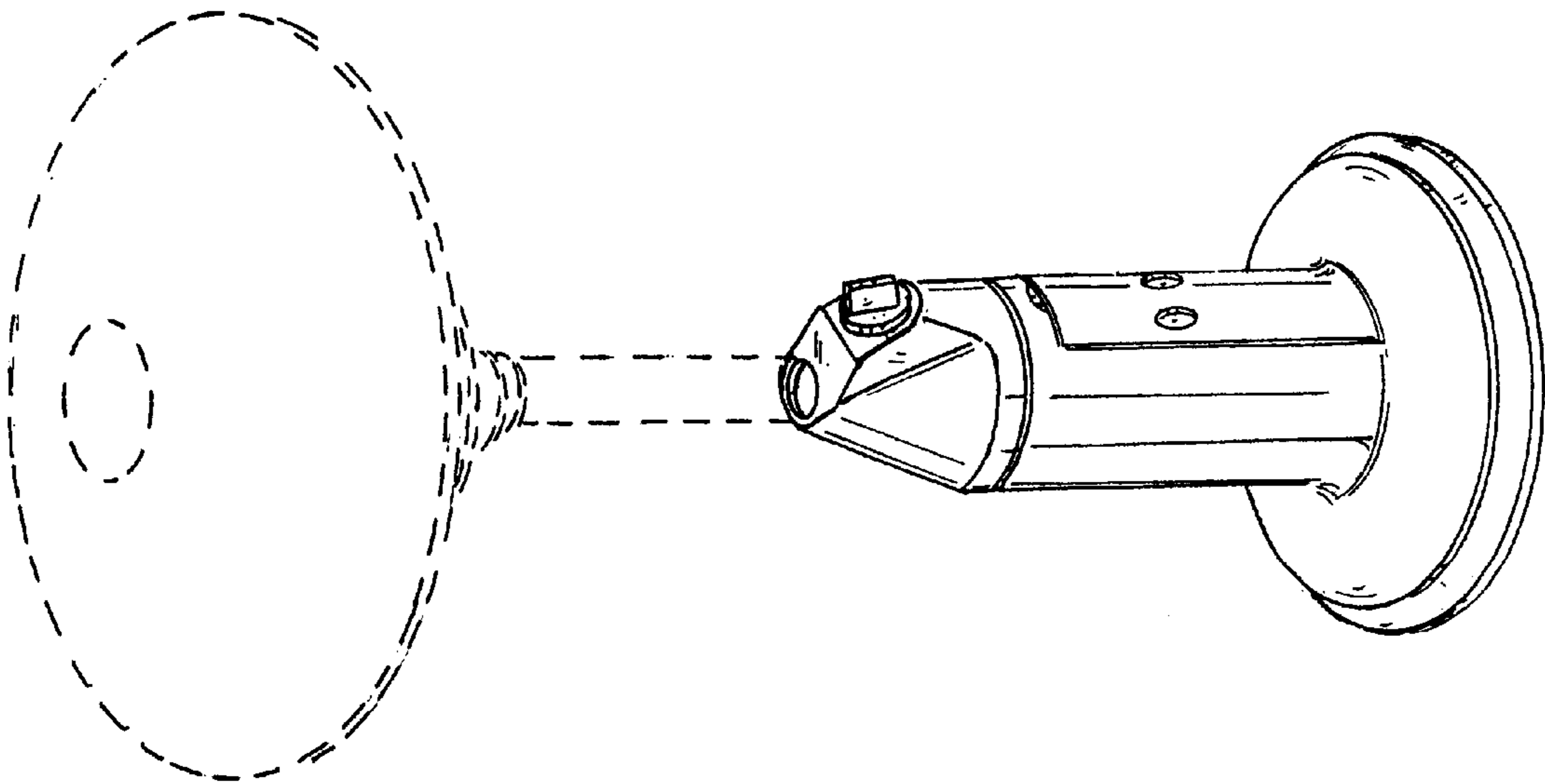


Fig-1

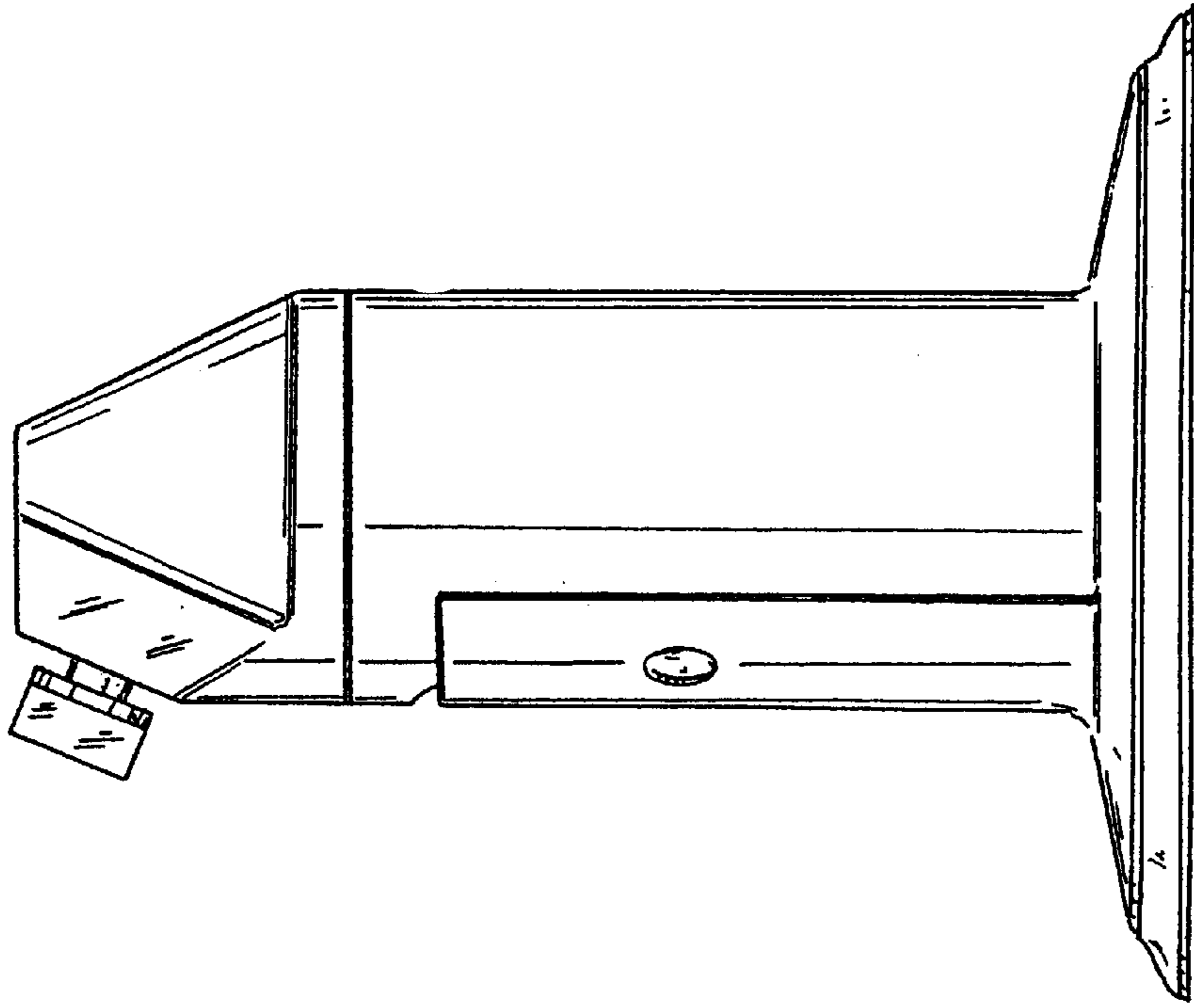


Fig-4

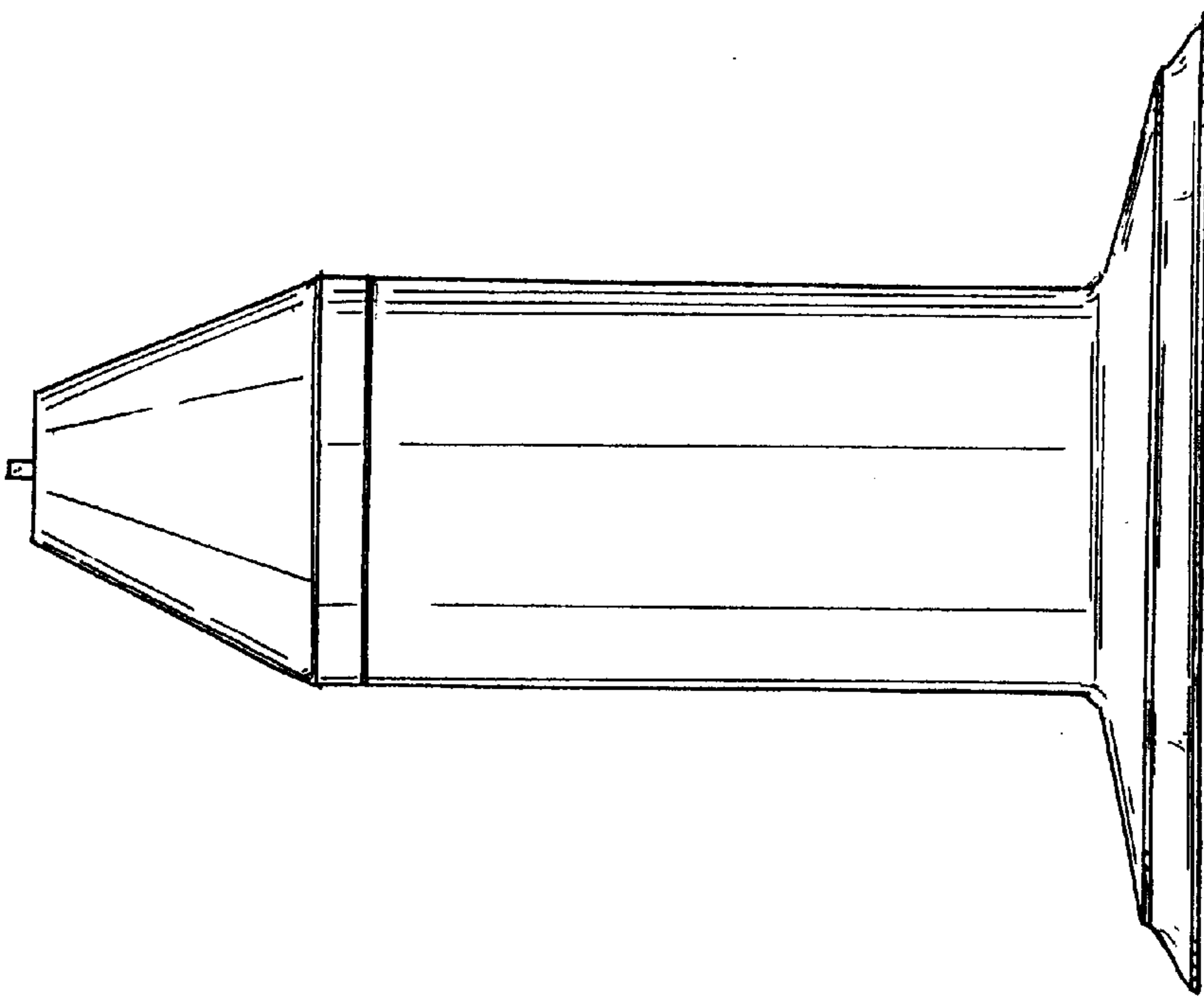


Fig-3

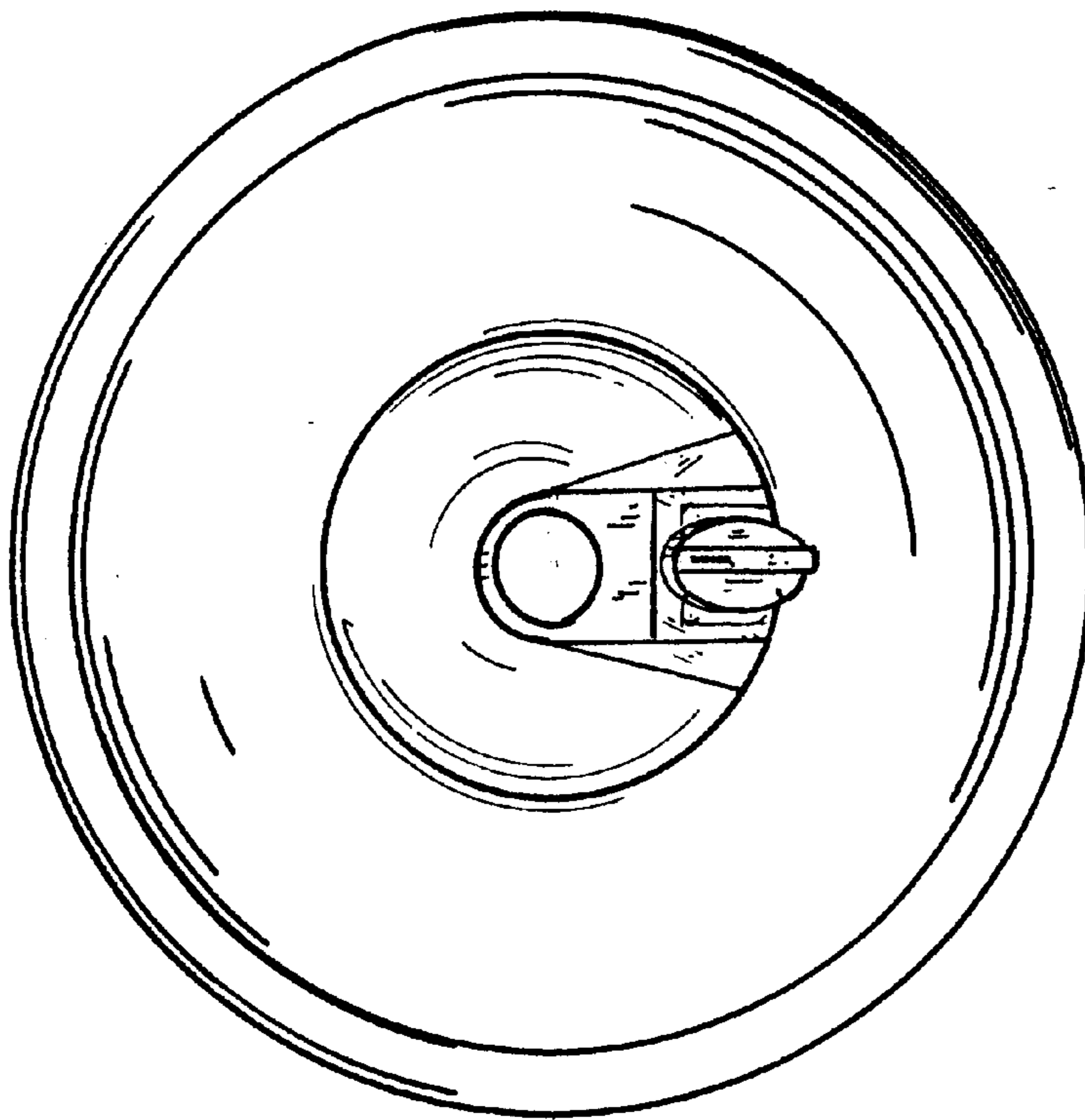


Fig-6

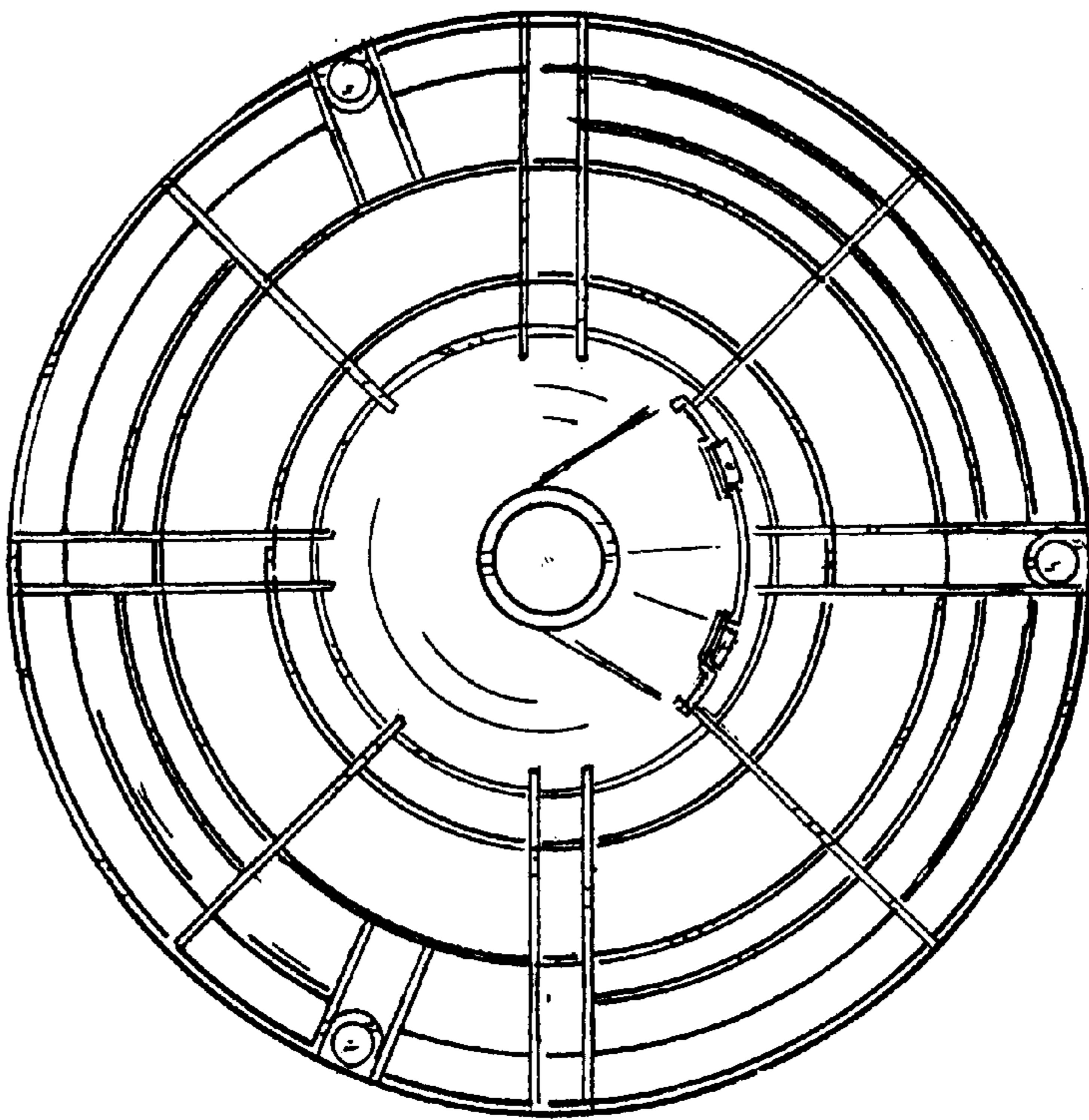


Fig-5