



US00D447795B1

(12) **United States Design Patent**
Hudson

(10) **Patent No.:** **US D447,795 S**

(45) **Date of Patent:** **** Sep. 11, 2001**

(54) **HEATER CASE**

(75) **Inventor:** **James N. Hudson**, Fort Worth, TX (US)

(73) **Assignee:** **Molded Products Company**, Haltom City, TX (US)

(**) **Term:** **14 Years**

(21) **Appl. No.:** **29/128,856**

(22) **Filed:** **Aug. 31, 2000**

(51) **LOC (7) Cl.** **23-03**

(52) **U.S. Cl.** **D23/327; D23/324; D23/314**

(58) **Field of Search** **D23/314, 342, D23/324, 327; 392/360, 364, 370; 219/200, 201, 520, 532, 536, 202, 205; 237/28, 31, 35-37, 39, 12.3 B, 12.4**

(56) **References Cited**

U.S. PATENT DOCUMENTS

- D. 114,823 * 5/1939 Morgan .
- D. 168,251 * 11/1952 Bergstrom .
- D. 179,203 * 11/1956 Lamburn .
- 2,286,854 * 6/1942 Holthouse .
- 2,800,285 * 7/1957 Muller et al. .
- 4,274,390 * 6/1981 Azuma .
- 5,478,274 * 12/1995 Danleau .
- 5,855,319 * 1/1999 Burner et al. .

* cited by examiner

Primary Examiner—B. J. Bullock

(74) *Attorney, Agent, or Firm*—Arthur F Zobal

(57) **CLAIM**

The ornamental design for a heater case, as shown and described.

DESCRIPTION

FIG. 1 is an isometric view of one side and one end of a heater case showing my new design.

FIG. 2 is an isometric view of the heater case showing a side opposite that of FIG. 1 and the same end as that of FIG. 1.

FIG. 3 is an isometric view of the heater case showing the bottom and the same side and end as that of FIG. 1.

FIG. 4 is an isometric view of the heater case showing the bottom and the same side and end as that of FIG. 2.

FIG. 5 is a plan view of the side shown in FIGS. 1 and 3 of the heater case.

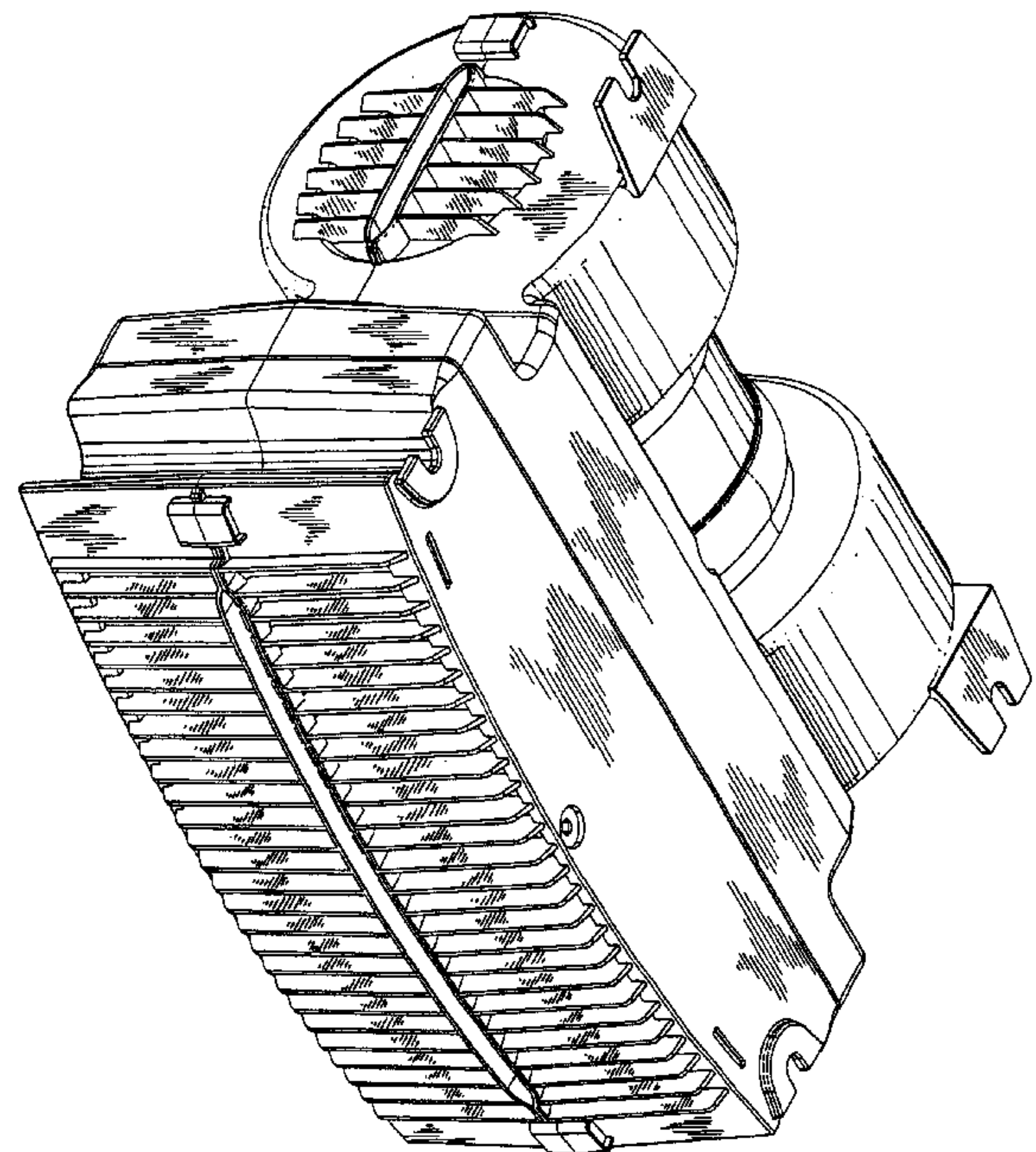
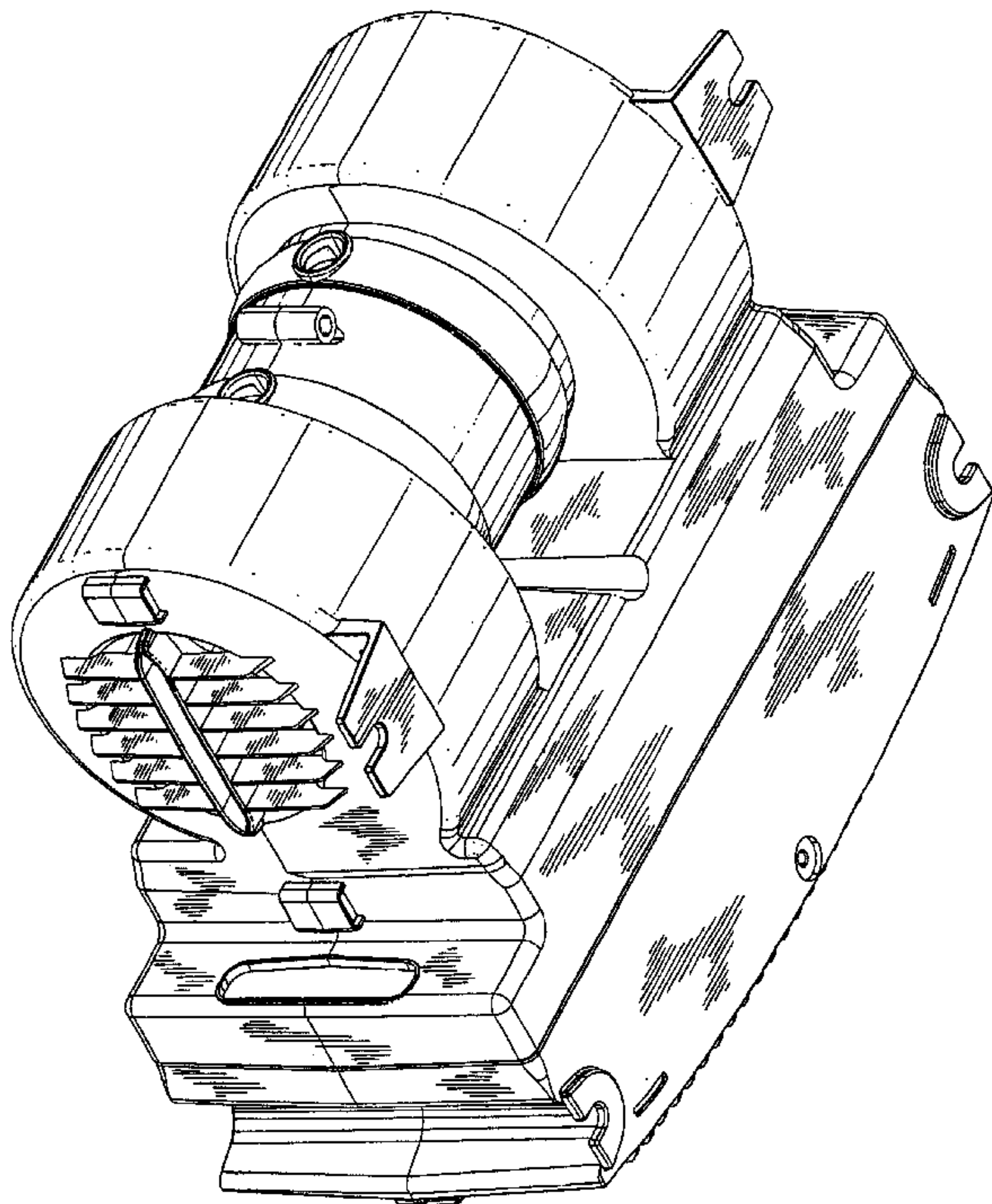
FIG. 6 is a plan view of the side shown in FIG. 2 of the heater case.

FIG. 7 is a plan view of the end shown in FIGS. 1 and 3 of the heater case.

FIG. 8 is a plan view of the end of the heater case opposite that of FIG. 7.

FIG. 9 is a plan view of the bottom of the heater case; and, FIG. 10 is a plan view of the top of the heater case.

1 Claim, 10 Drawing Sheets



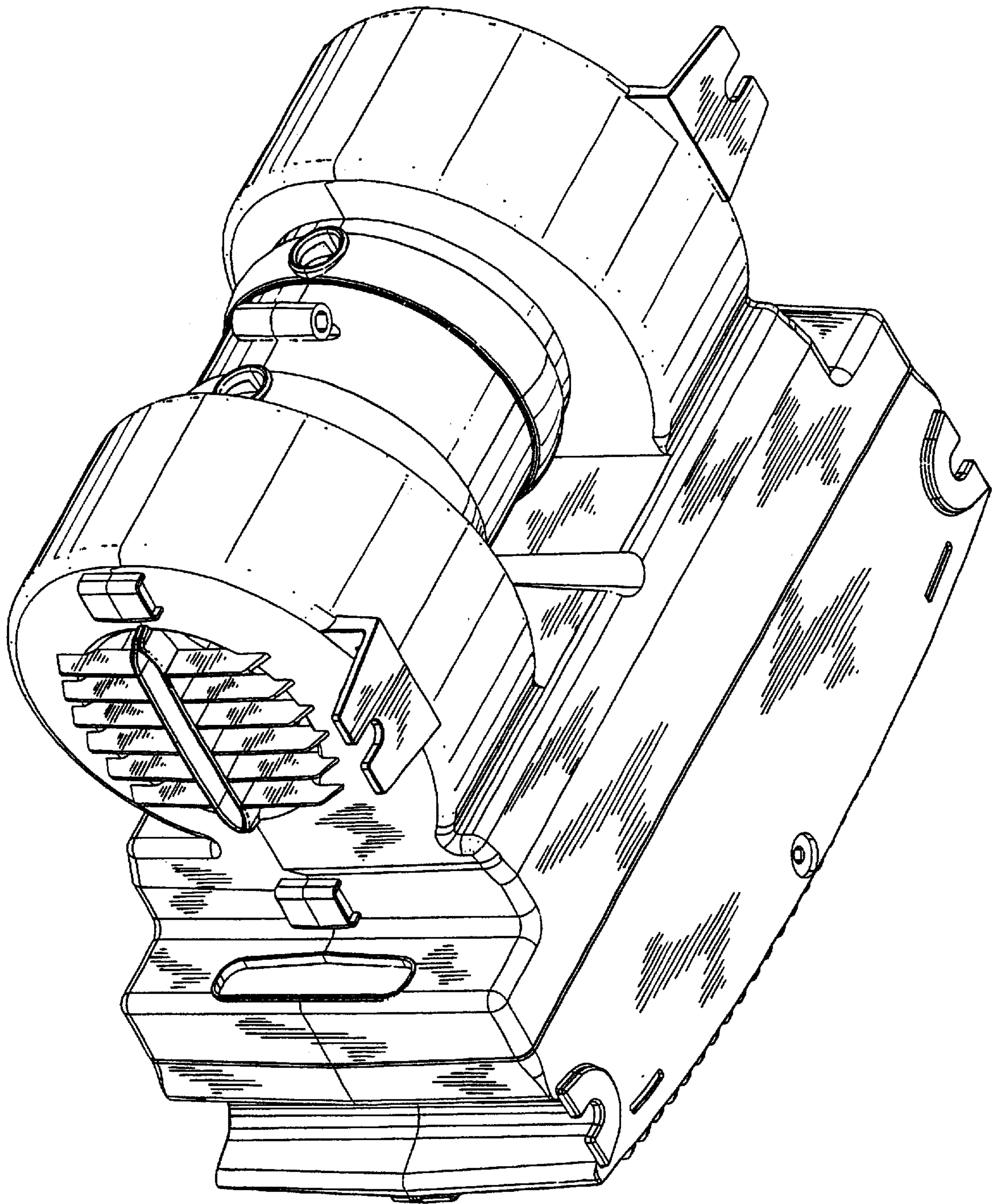


Fig. 1

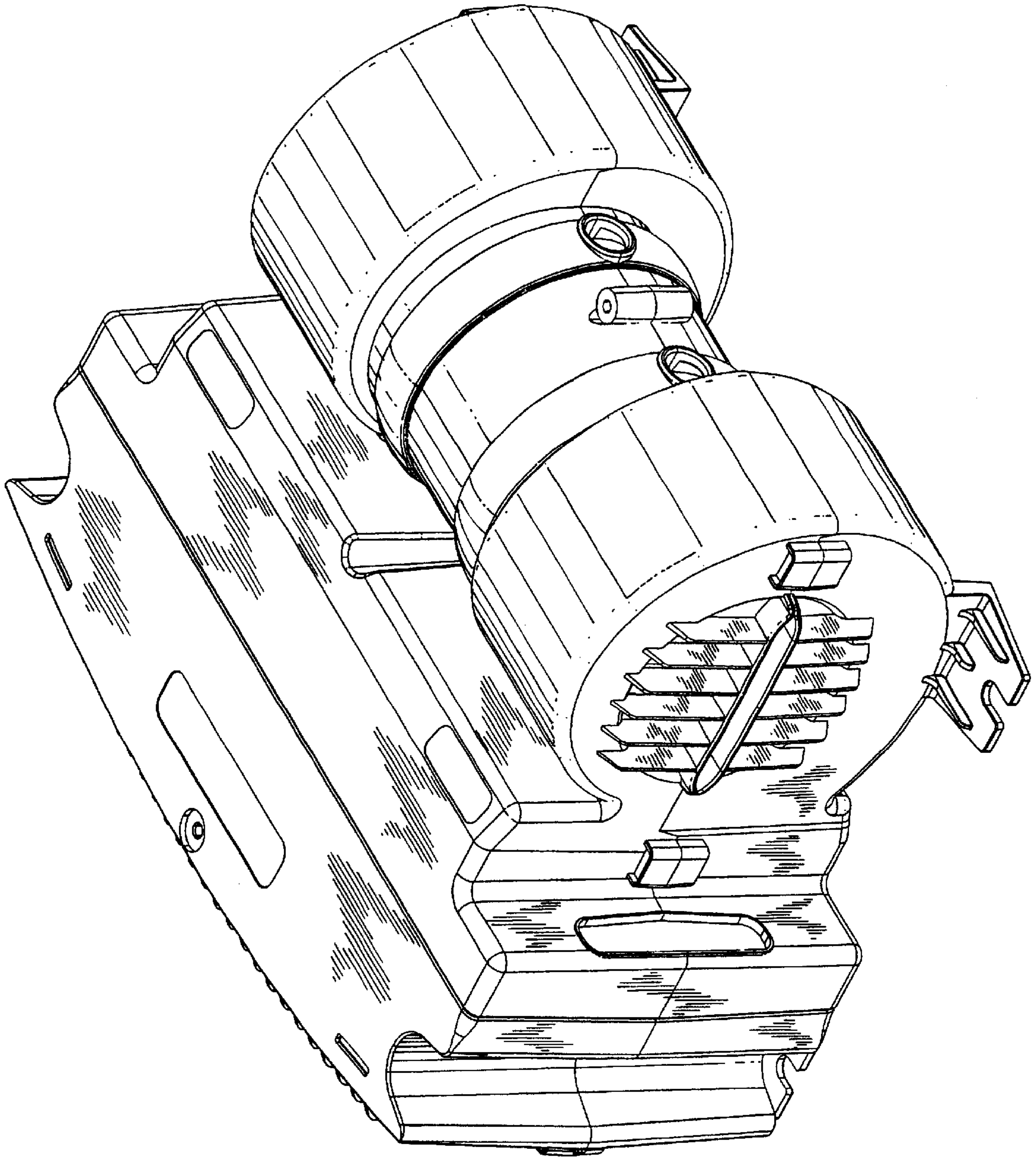


Fig. 2

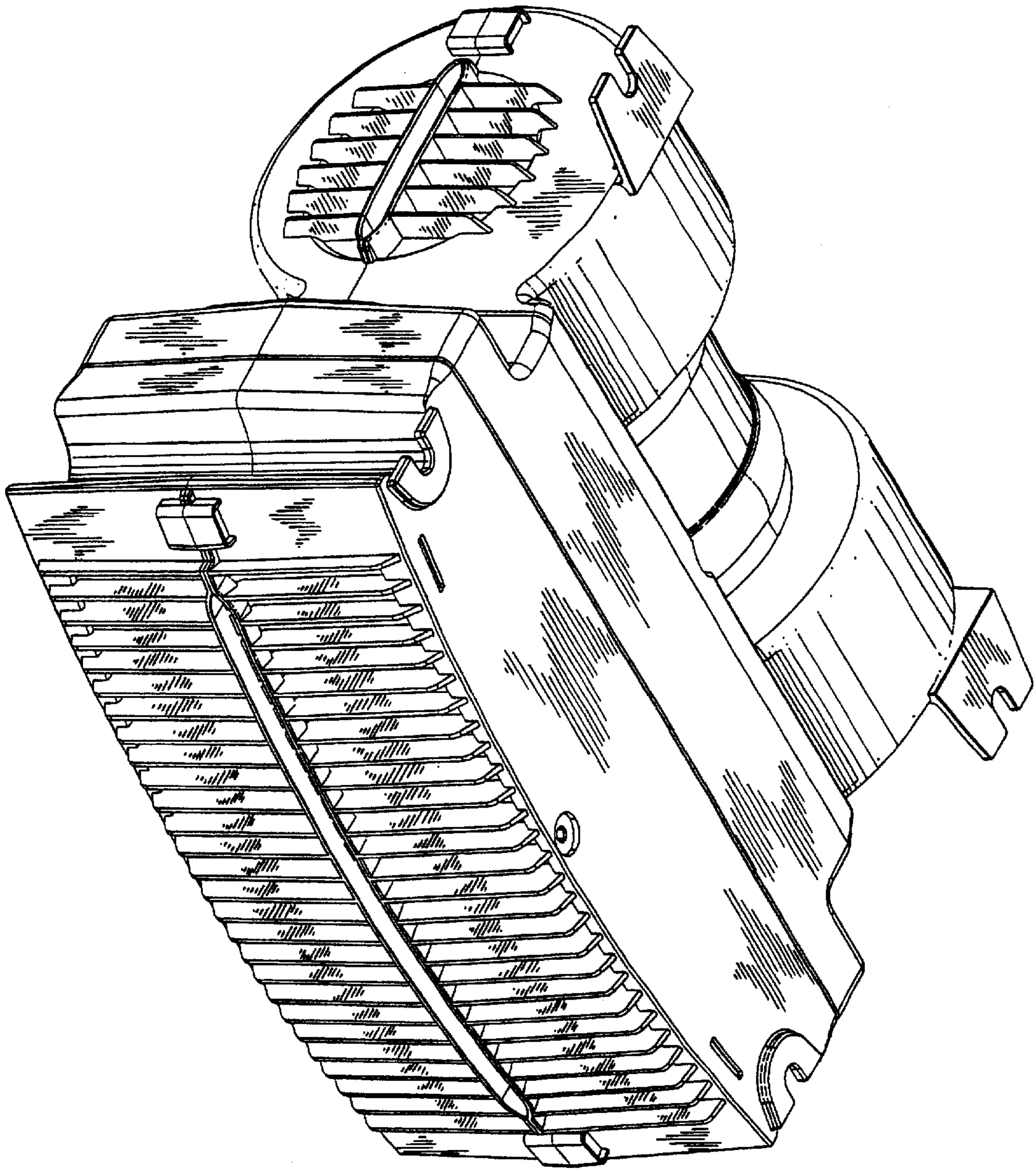


Fig. 3

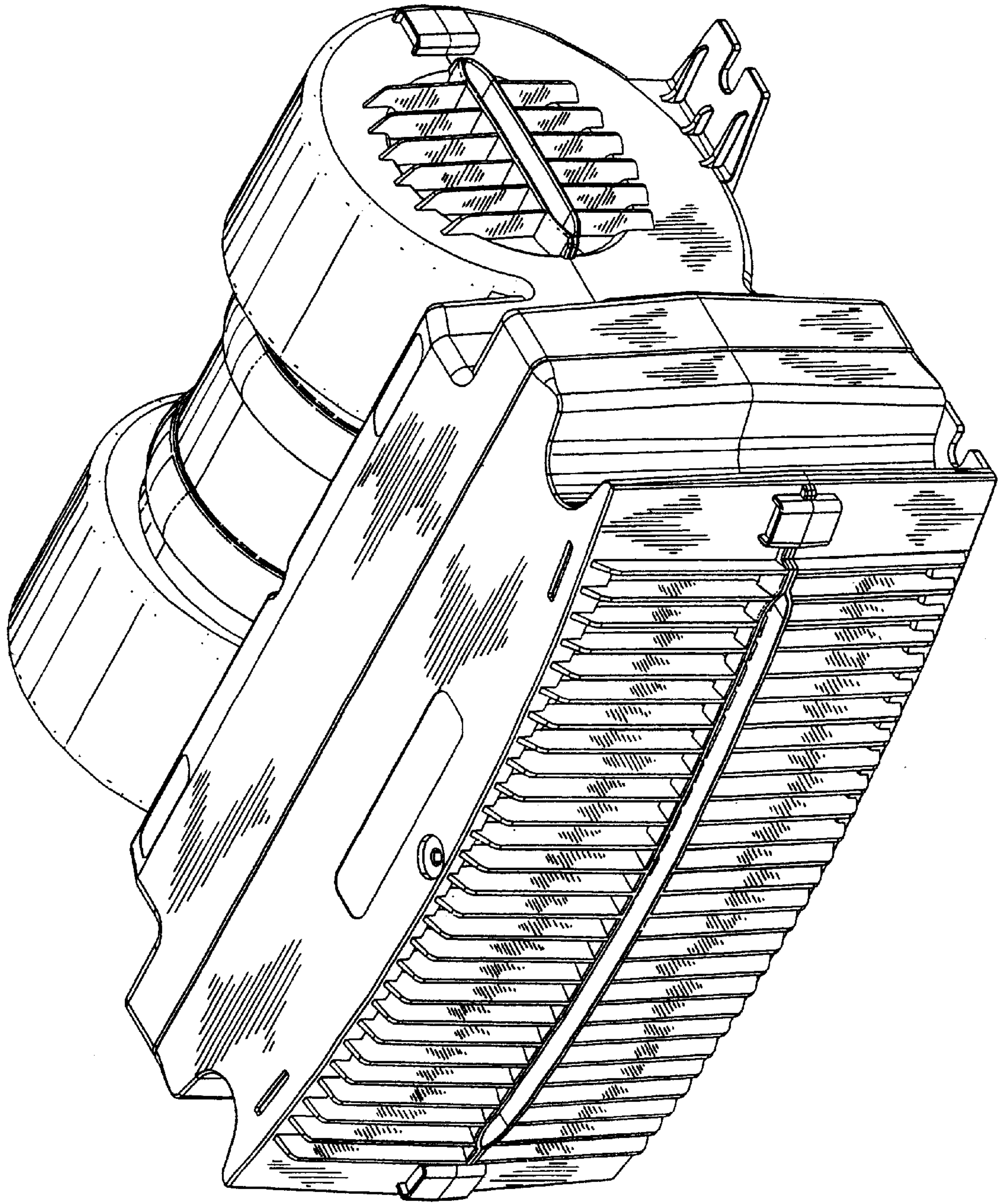


Fig. 4

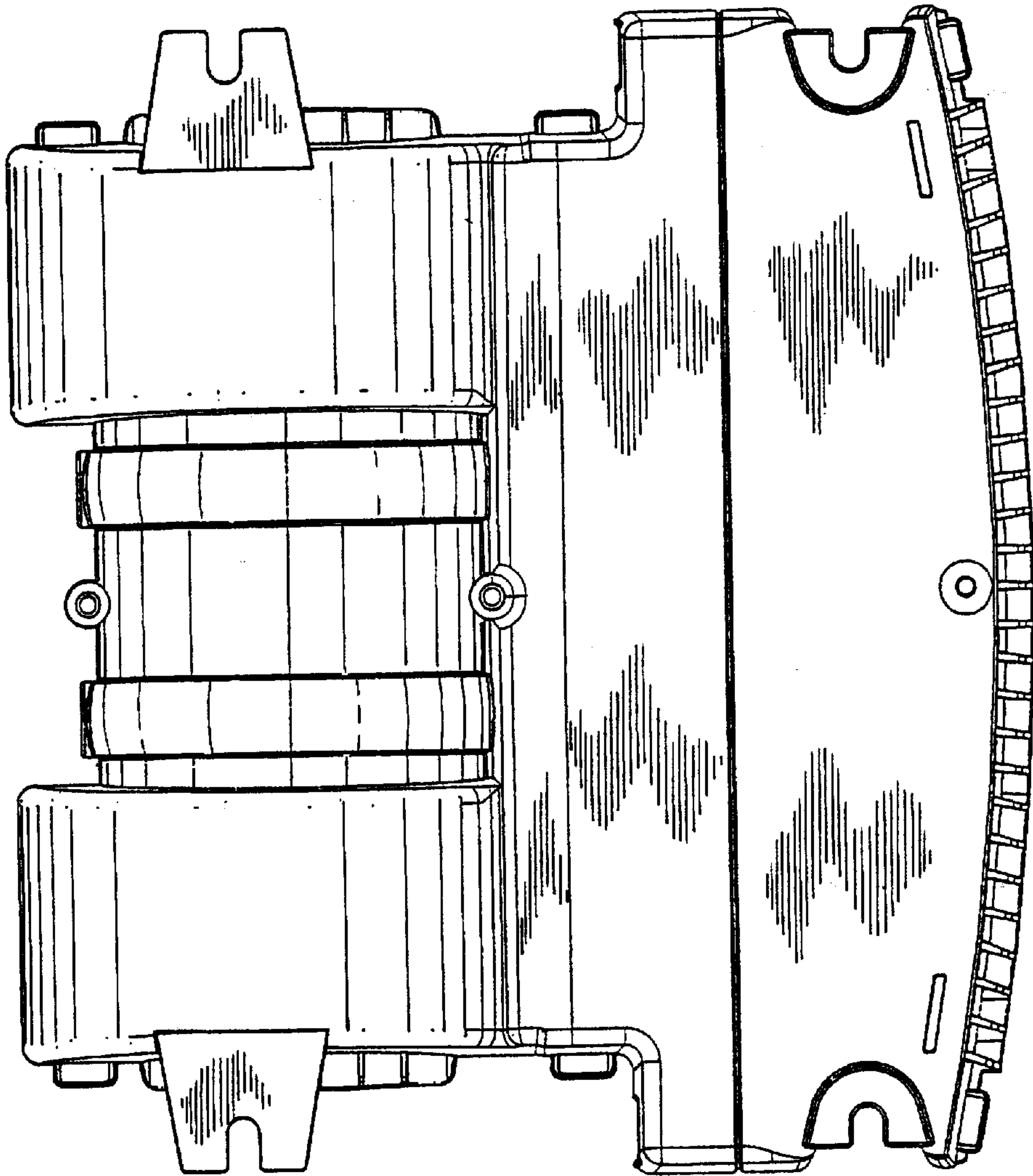


Fig. 5

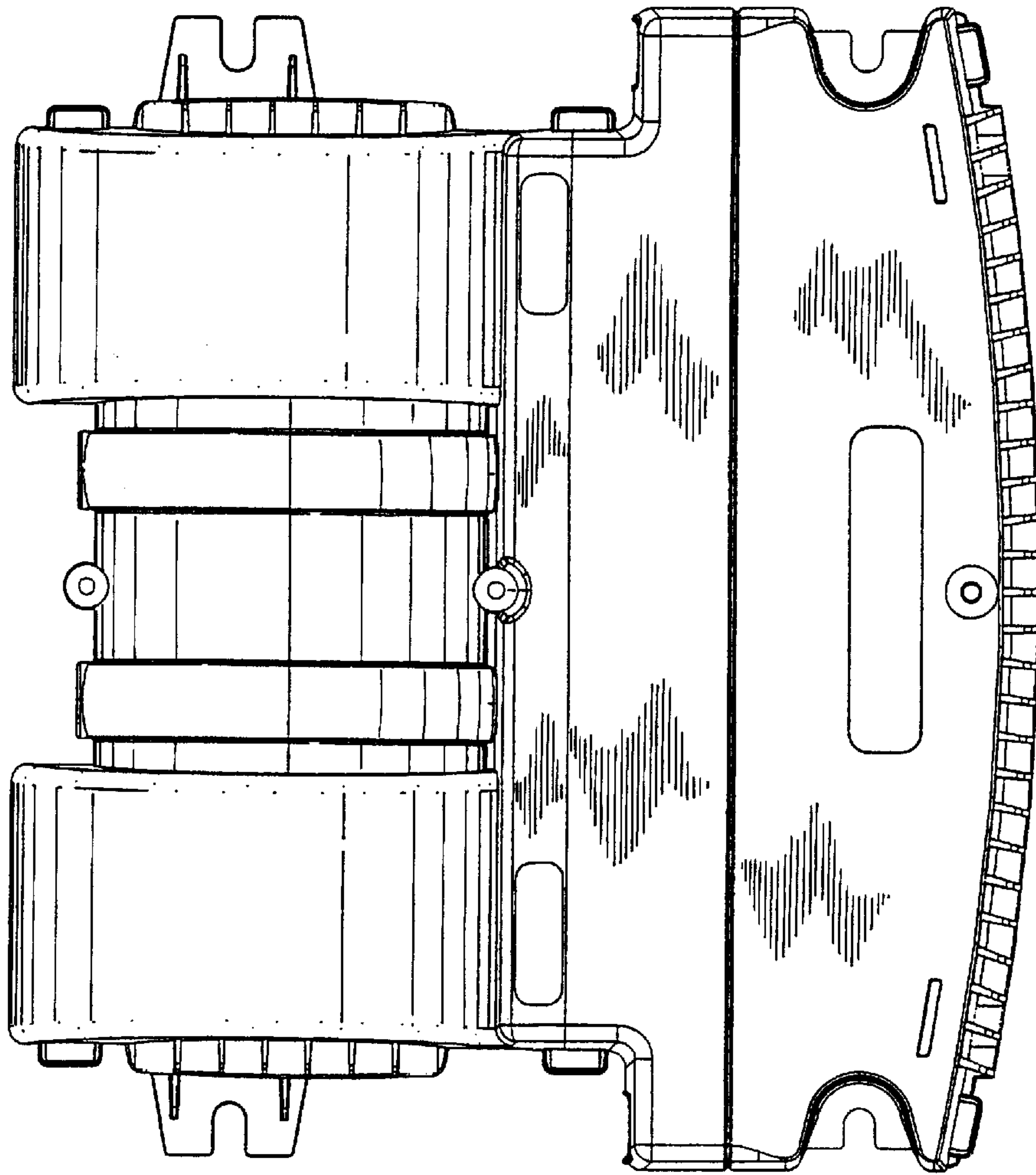


Fig. 6

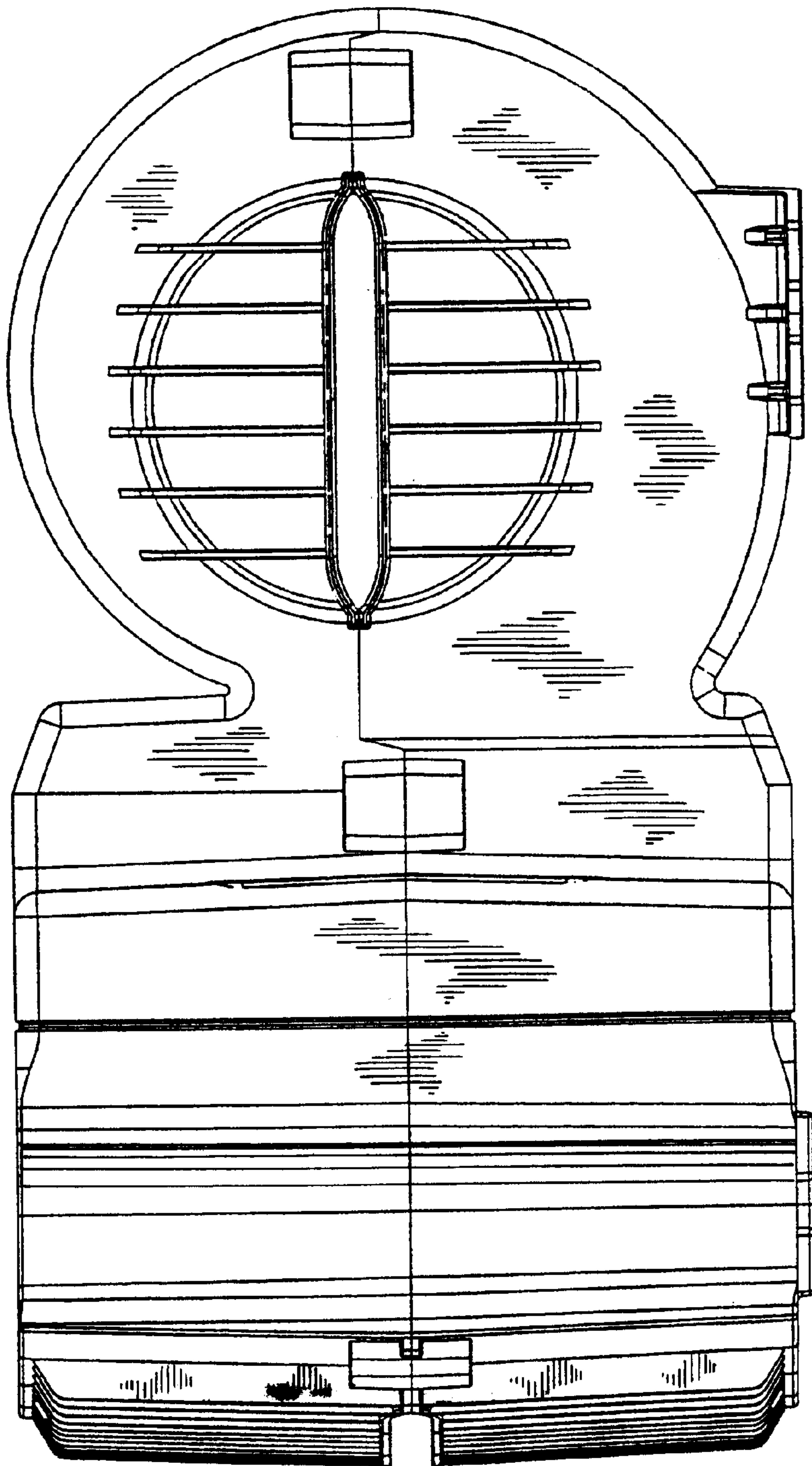


Fig. 7

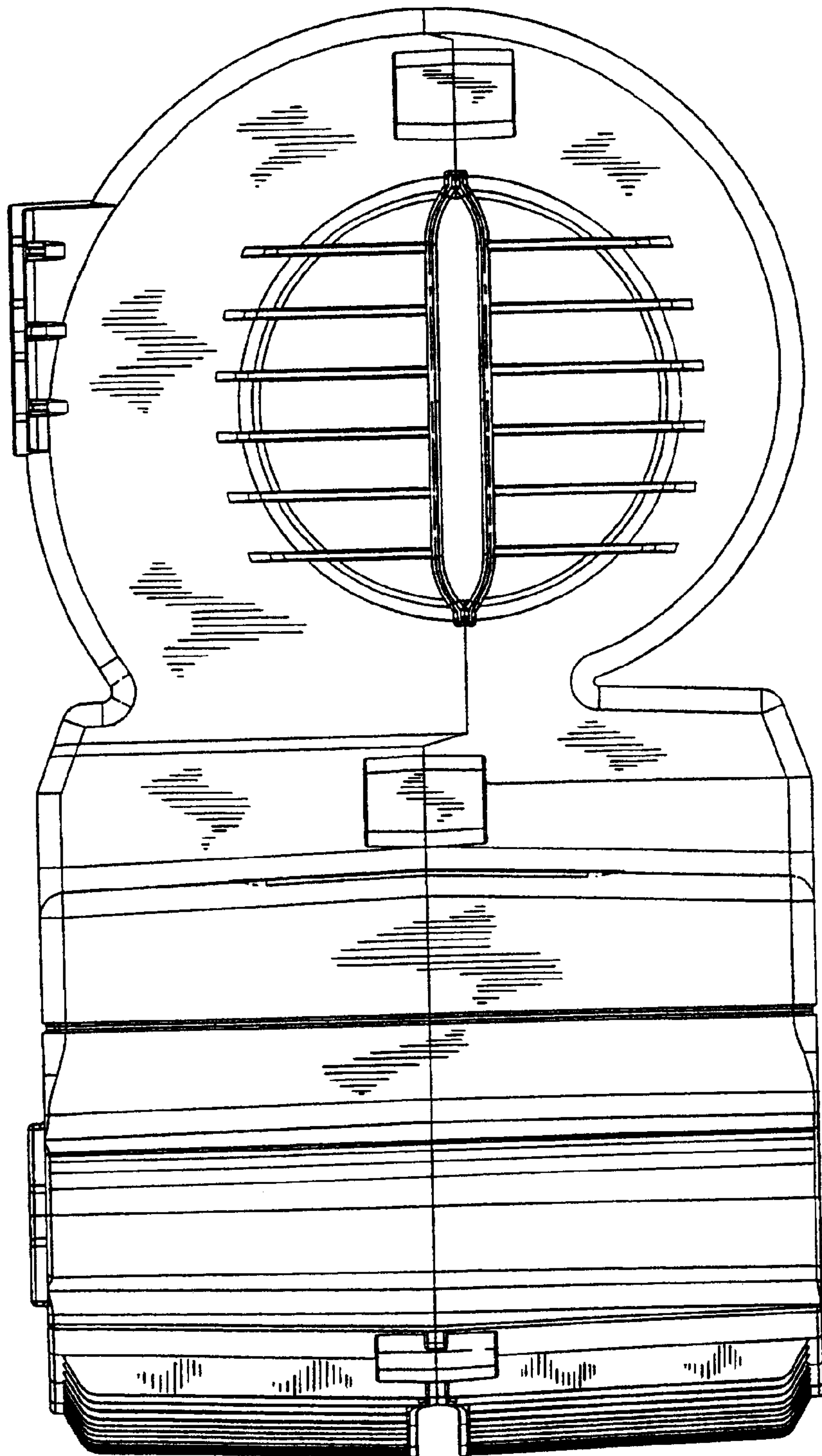


Fig. 8

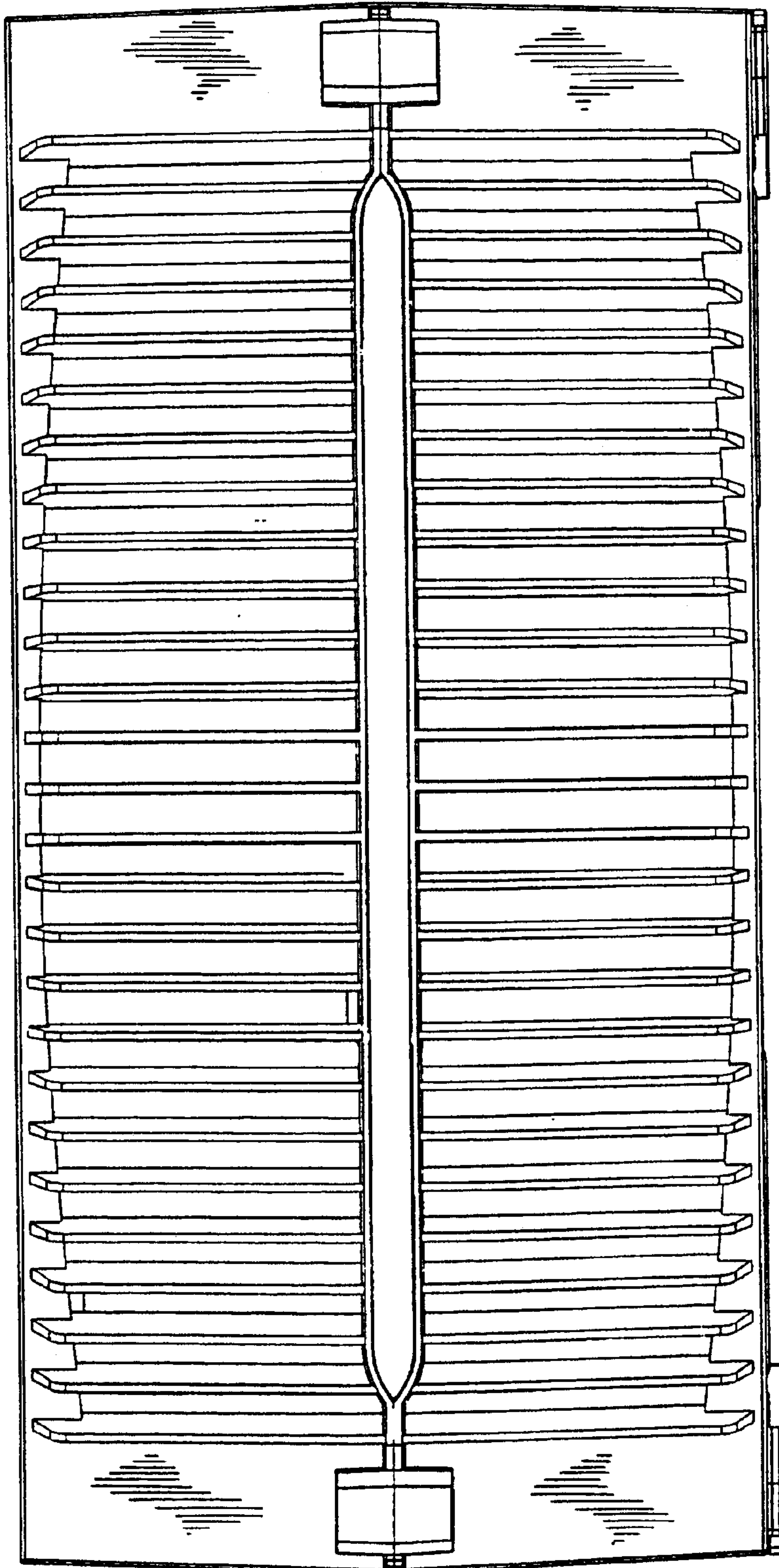


Fig. 9

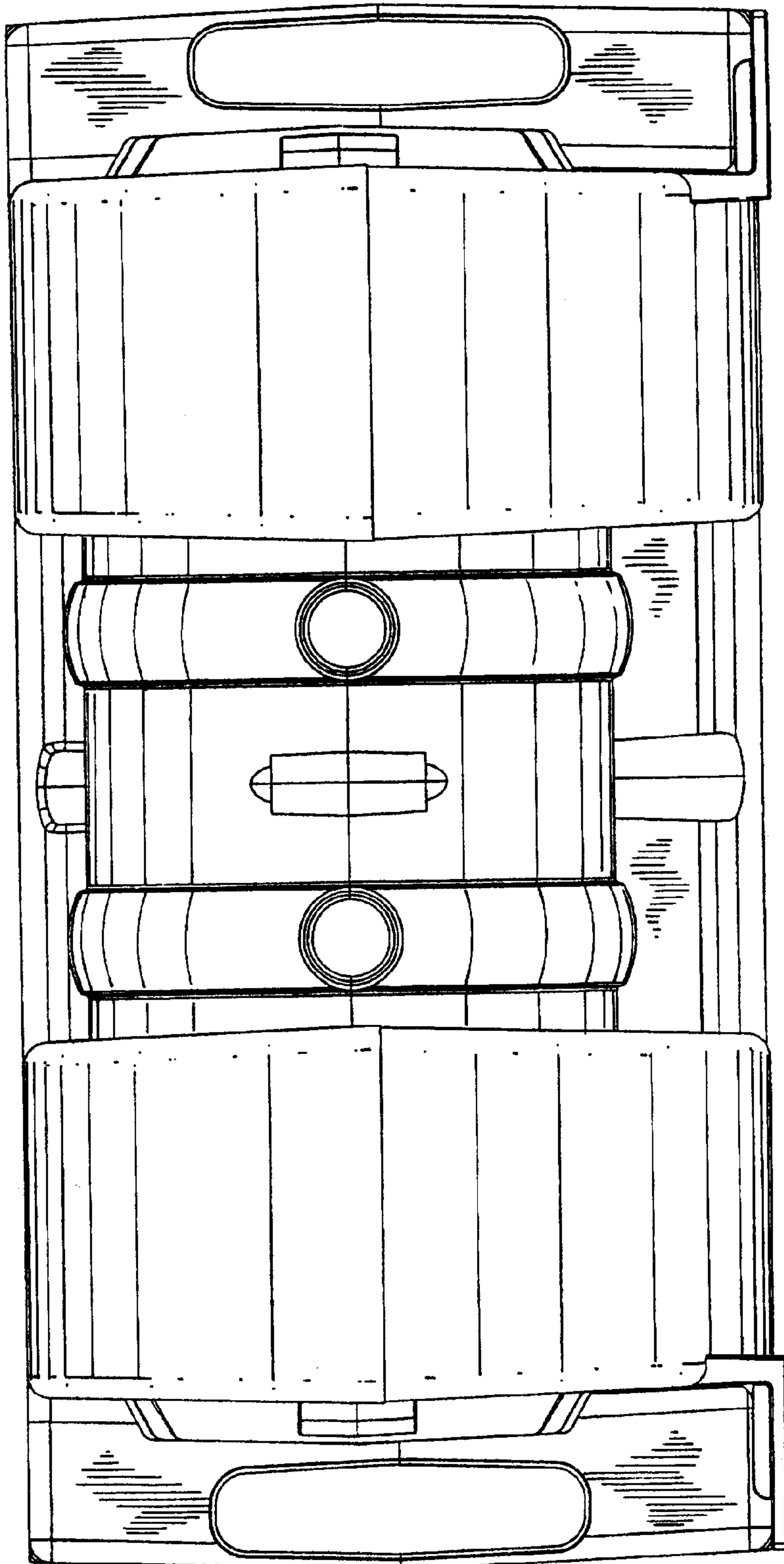


Fig. 10