



US00D447793B1

(12) **United States Design Patent**
Ferrer Beltrán

(10) **Patent No.: US D447,793 S**

(45) **Date of Patent: ** *Sep. 11, 2001**

(54) **WASHBASIN AND FURNITURE STAND**

(75) Inventor: **Jose Ma Ferrer Beltrán**, Bonrepos
(ES)

(73) Assignee: **Ibergesfer, S.L.** (ES)

(*) Notice: This patent is subject to a terminal disclaimer.

(**) Term: **14 Years**

(21) Appl. No.: **29/129,017**

(22) Filed: **Sep. 1, 2000**

(30) **Foreign Application Priority Data**

Mar. 22, 2000 (ES) 147959

(51) **LOC (7) Cl.** **23-02**

(52) **U.S. Cl.** **D23/284; D23/286**

(58) **Field of Search** D23/270-274,
D23/284-286, 289, 293.1, 303, 308; 4/619,
630-632, 638, 640, 643; D6/396-397, 405,
480, 574; 108/24, 156, 161

(56) **References Cited**

U.S. PATENT DOCUMENTS

- D. 20,908 * 7/1891 Royle D23/293.1
- D. 231,885 * 6/1974 Kephart D6/480
- D. 322,473 * 12/1991 Reid D23/284

- D. 411,288 * 6/1999 Cuttriss D23/284
- 3,229,886 * 1/1966 Grogel D7/584
- 3,981,250 * 9/1976 Anthony 108/156 X
- 4,242,969 * 1/1981 Checkwood et al. 108/156 X

* cited by examiner

Primary Examiner—Louis S. Zarfes

Assistant Examiner—Robert A. Delehanty

(74) *Attorney, Agent, or Firm*—Lackenbach Siegel

(57) **CLAIM**

The ornamental design for a washbasin and furniture stand, as shown and described.

DESCRIPTION

FIG. 1 is a front, left perspective view of a washbasin and furniture stand according to my new design showing a broken away view of the front rung;

FIG. 2 is a front view of the furniture stand without the washbasin mounted to the top thereof, the rear view being identical;

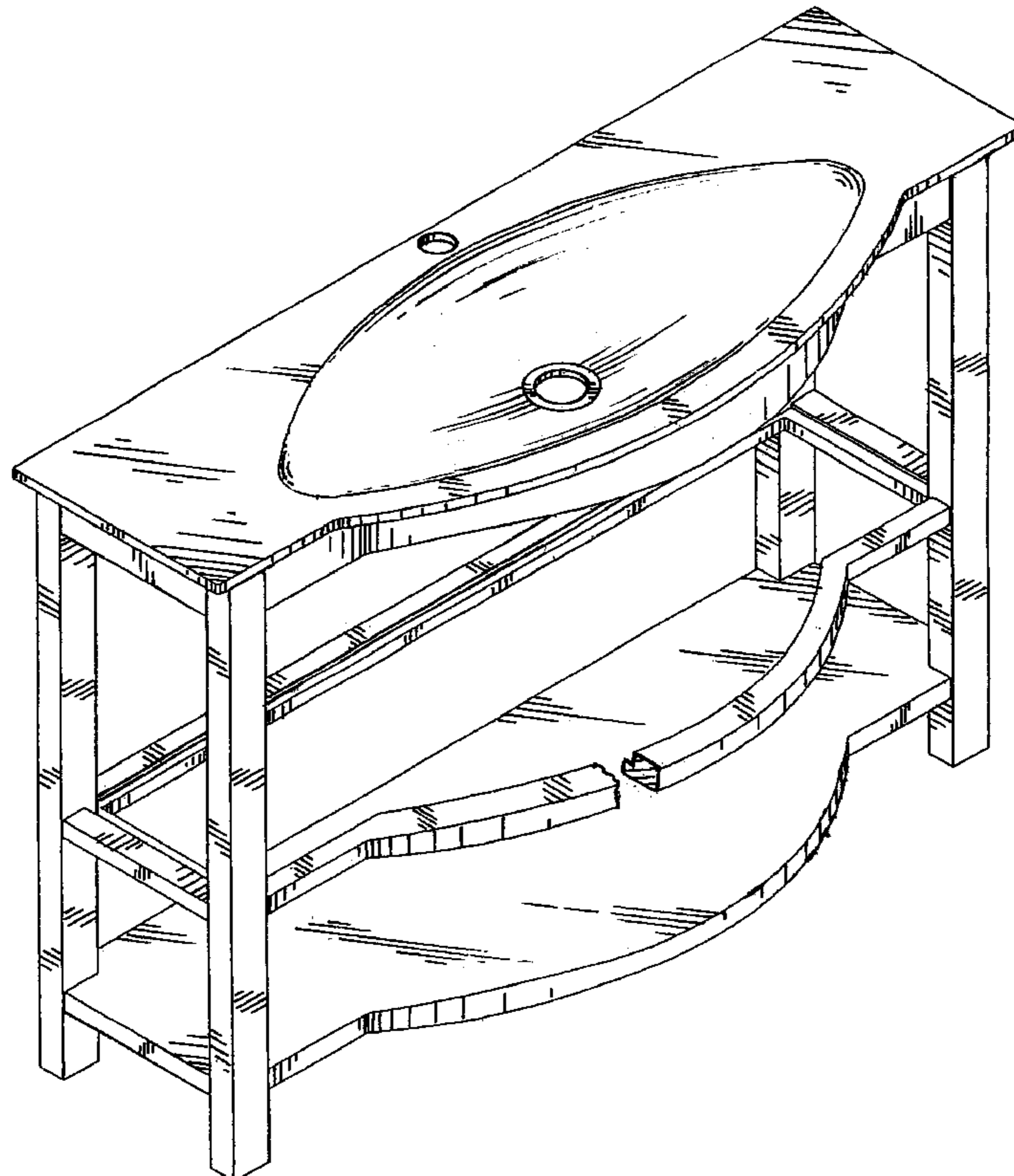
FIG. 3 is a left view of the furniture stand, the right side being a mirror image view thereof;

FIG. 4 is a top plan view of the furniture stand;

FIG. 5 is an enlarged front view of the washbasin shown separately for clarity of illustration;

FIG. 6 is an enlarged top plan view of the washbasin; and, FIG. 7 is an enlarged sectional view taken along line 7—7 of FIG. 6.

1 Claim, 3 Drawing Sheets



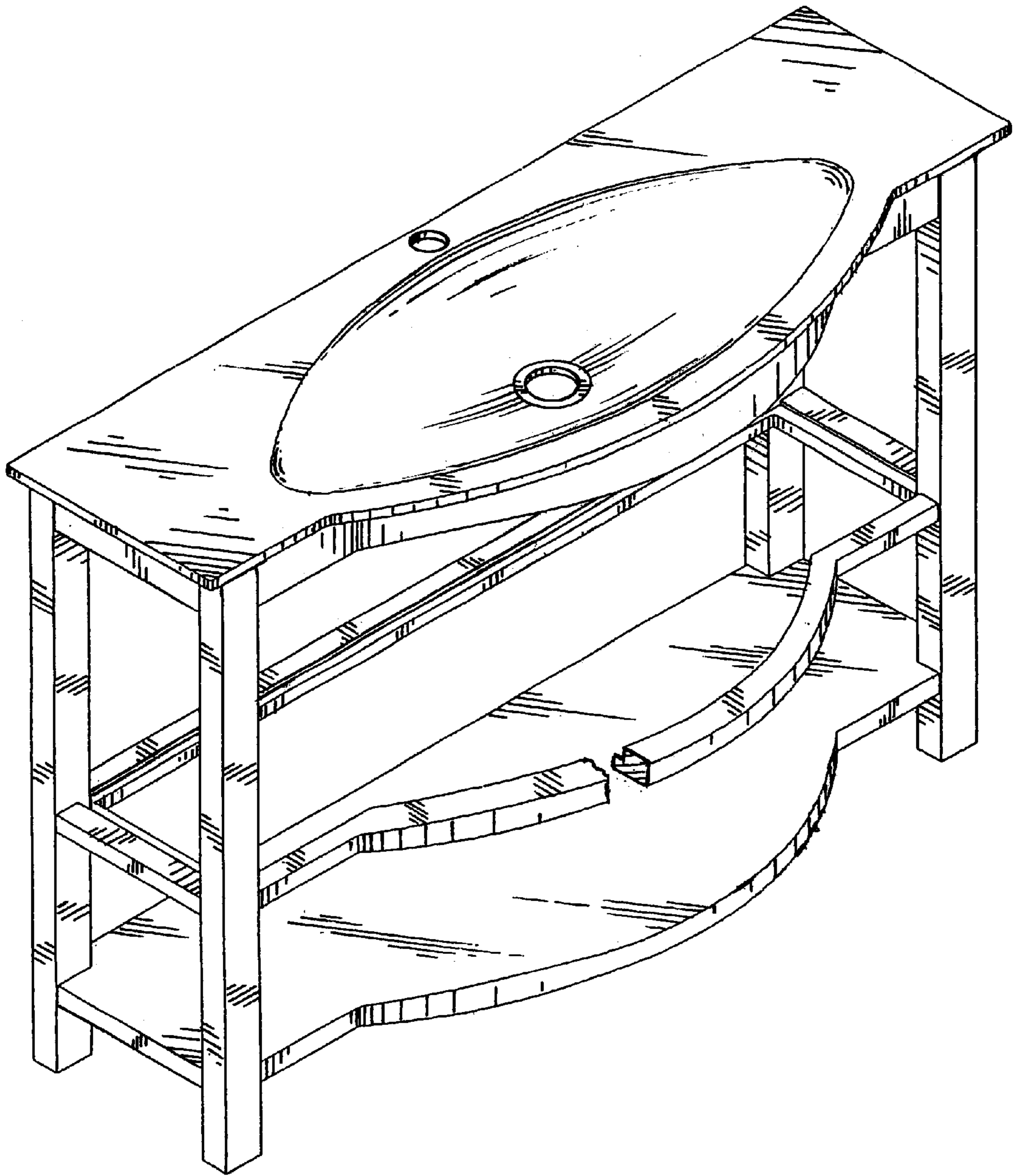


FIG. 1

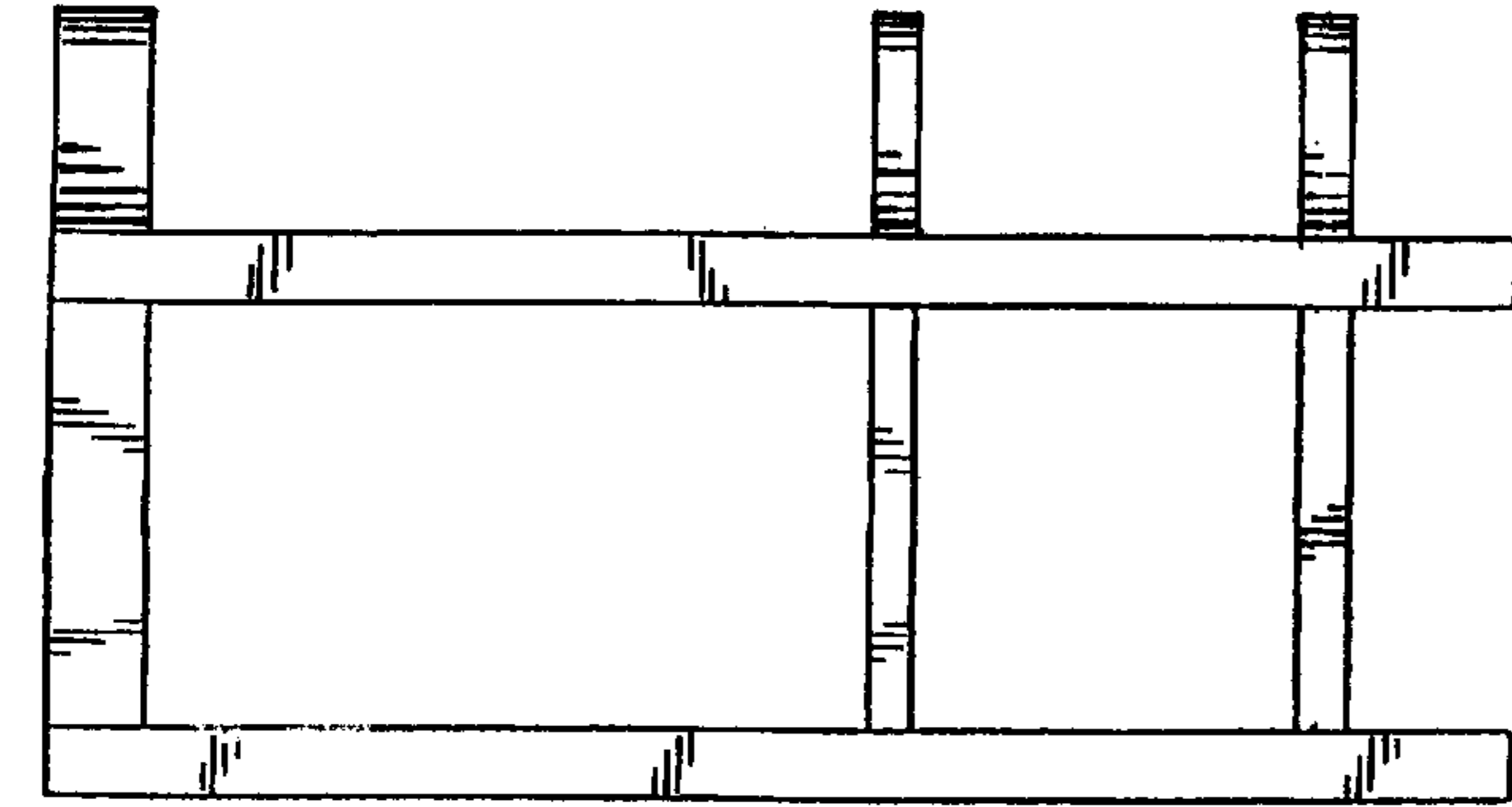


FIG. 3

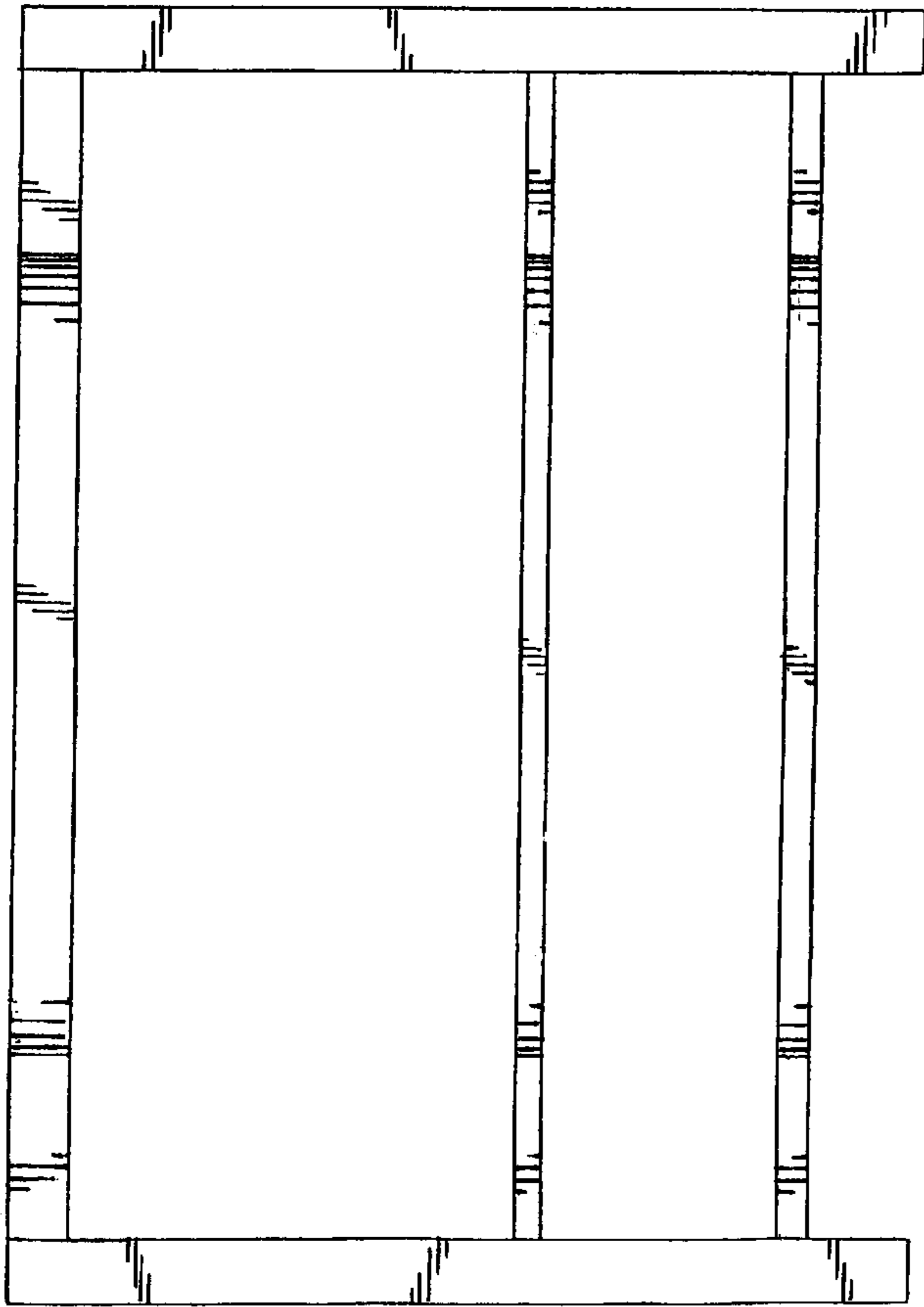


FIG. 2

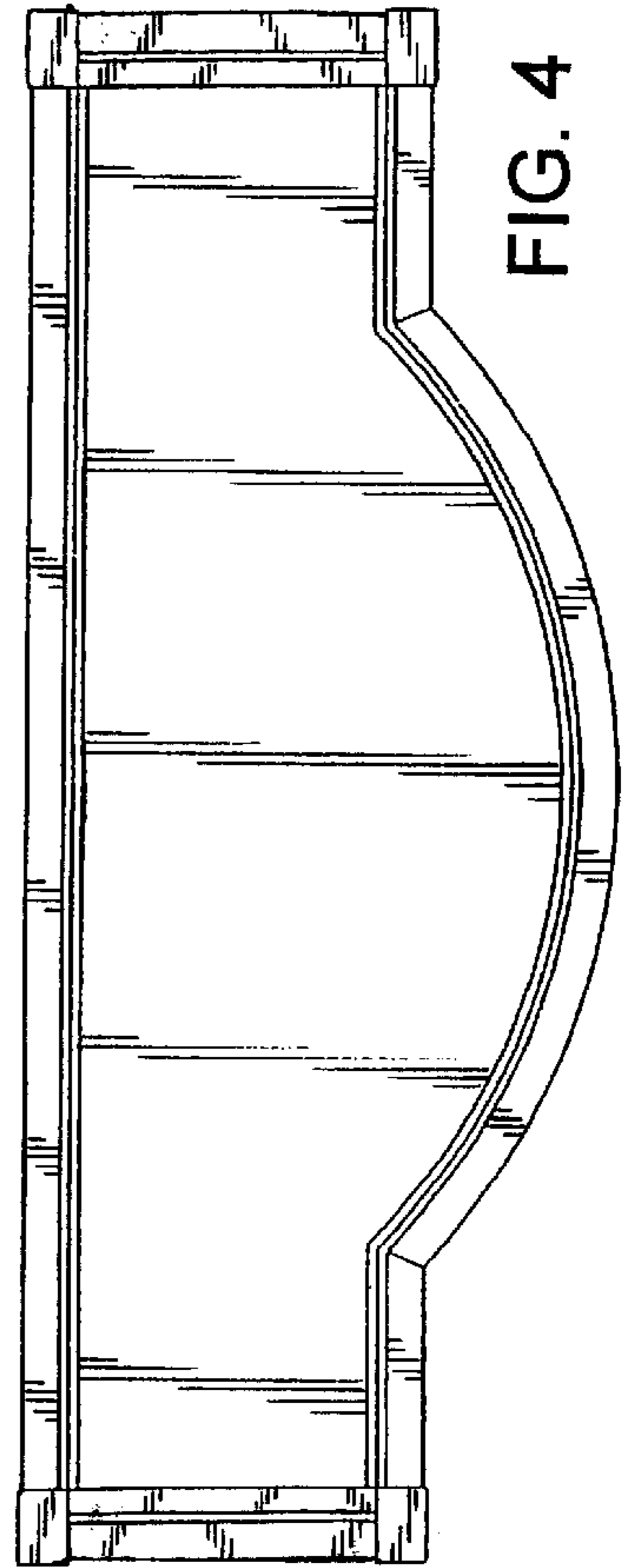


FIG. 4

