



US00D447792B1

(12) **United States Design Patent**  
**Renaud**

(10) **Patent No.:** **US D447,792 S**

(45) **Date of Patent:** **\*\* Sep. 11, 2001**

(54) **FLEXIBLE TUBE HAVING A VARIABLE STIFFNESS BELLOWS**

3,050,087 \* 8/1962 Caplan ..... 138/121  
3,842,865 \* 10/1974 Torricelli ..... 138/121  
6,056,018 \* 5/2000 Renaud ..... 138/121

(75) Inventor: **Michel Claude Renaud**, Prangins (CH)

\* cited by examiner

(73) Assignee: **E. I. du Pont de Nemours and Company**, Wilmington, DE (US)

*Primary Examiner*—Robin V. Taylor

(\*\*) Term: **14 Years**

(57) **CLAIM**

(21) Appl. No.: **29/125,826**

The ornamental design for a flexible tube having a variable stiffness bellows, as shown and described.

(22) Filed: **Jun. 30, 2000**

**DESCRIPTION**

(51) **LOC (7) Cl.** ..... **23-01**

(52) **U.S. Cl.** ..... **D23/266**

(58) **Field of Search** ..... D23/266; 138/118,  
138/121, 173, 177

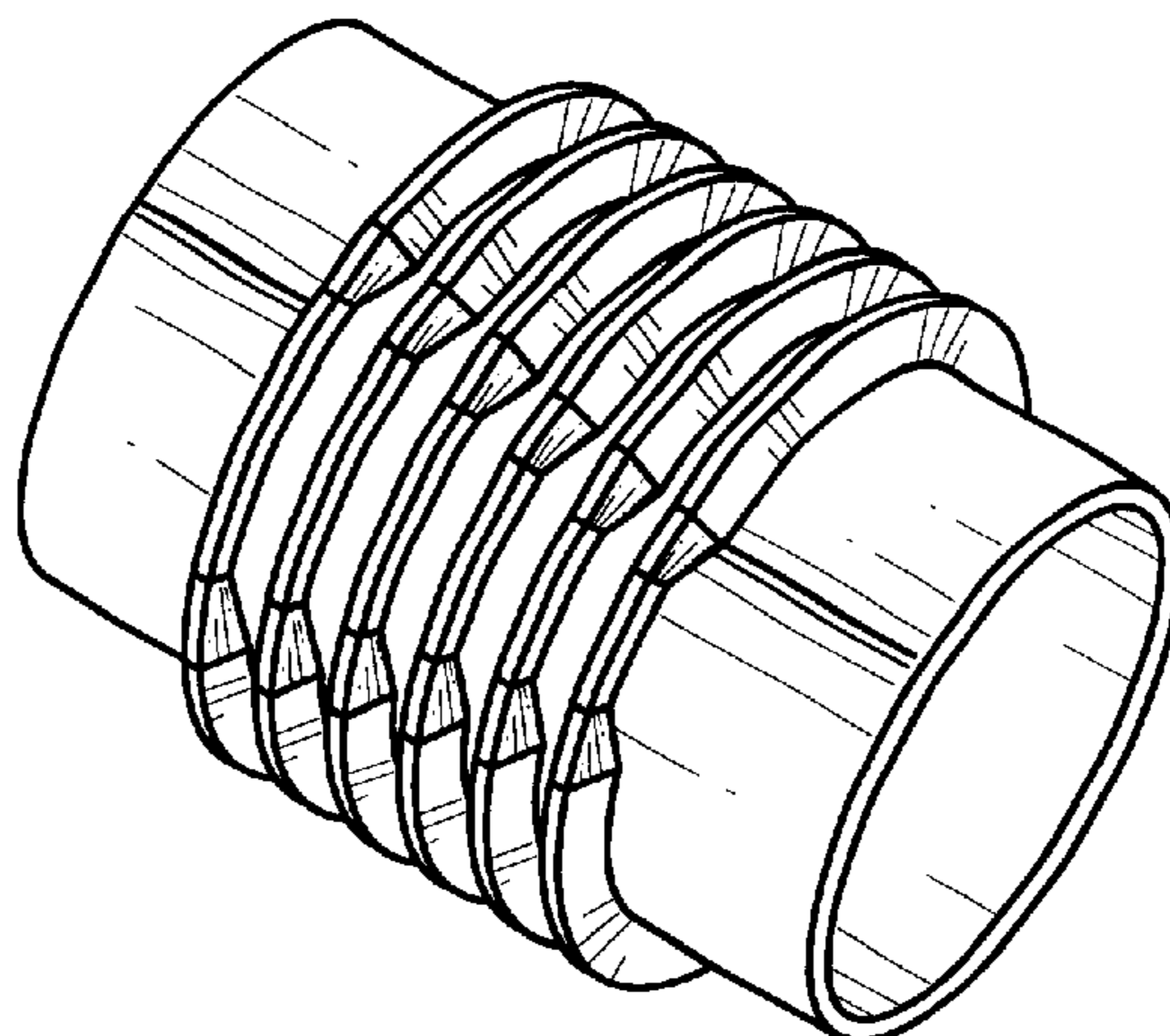
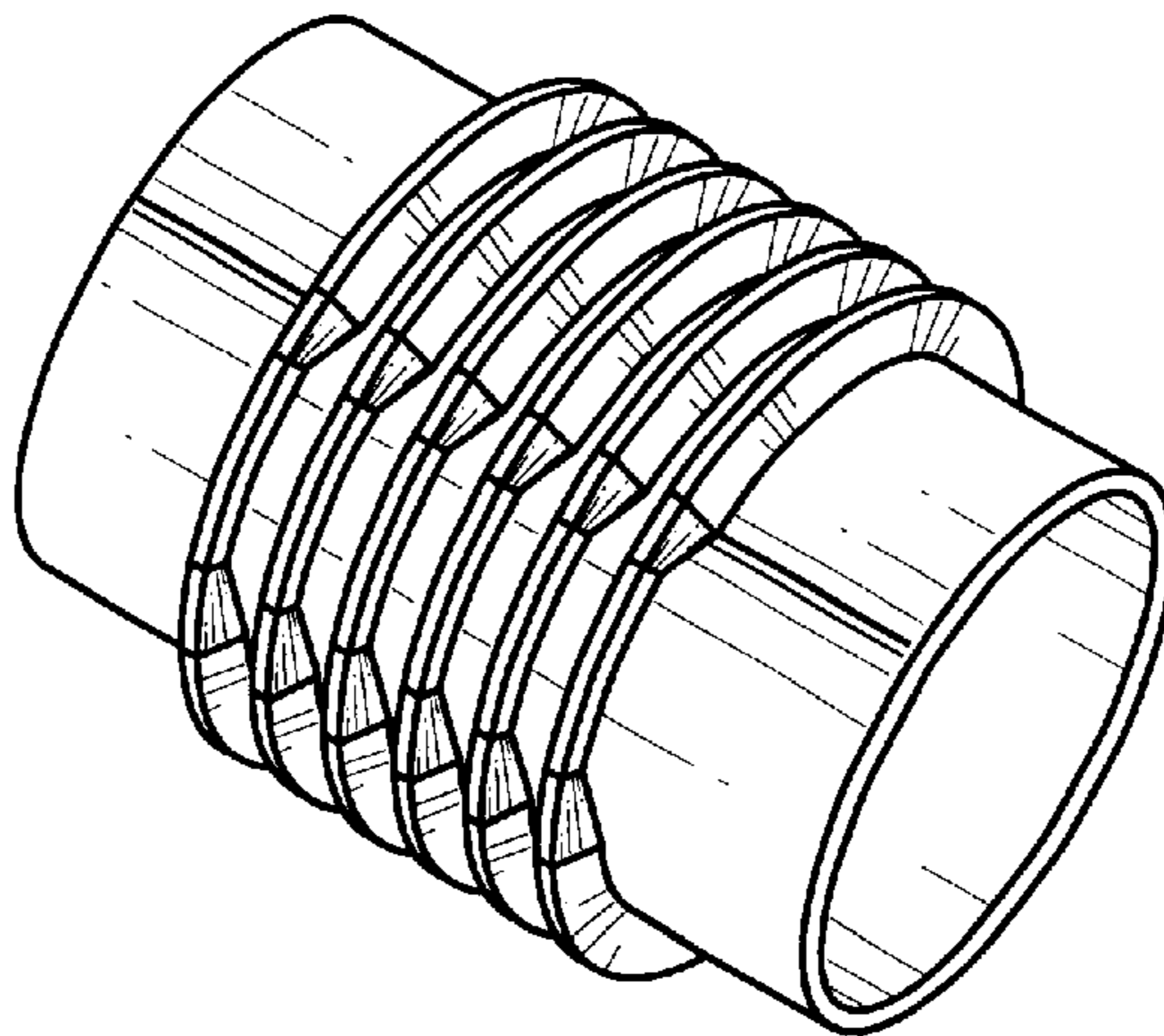
FIG. 1 is a perspective view of a flexible tube having a variable stiffness bellows showing my new design;  
FIG. 2 is a front view thereof, the rear being identical;  
FIG. 3 is a side view thereof;  
FIG. 4 is another embodiment thereof;  
FIG. 5 is a front view thereof, the rear being a mirror image;  
and,  
FIG. 6 is a side view.

(56) **References Cited**

**U.S. PATENT DOCUMENTS**

D. 221,078 \* 7/1971 Seckel et al. .... D23/266  
1,547,431 \* 7/1925 Mallory ..... 138/121

**1 Claim, 2 Drawing Sheets**



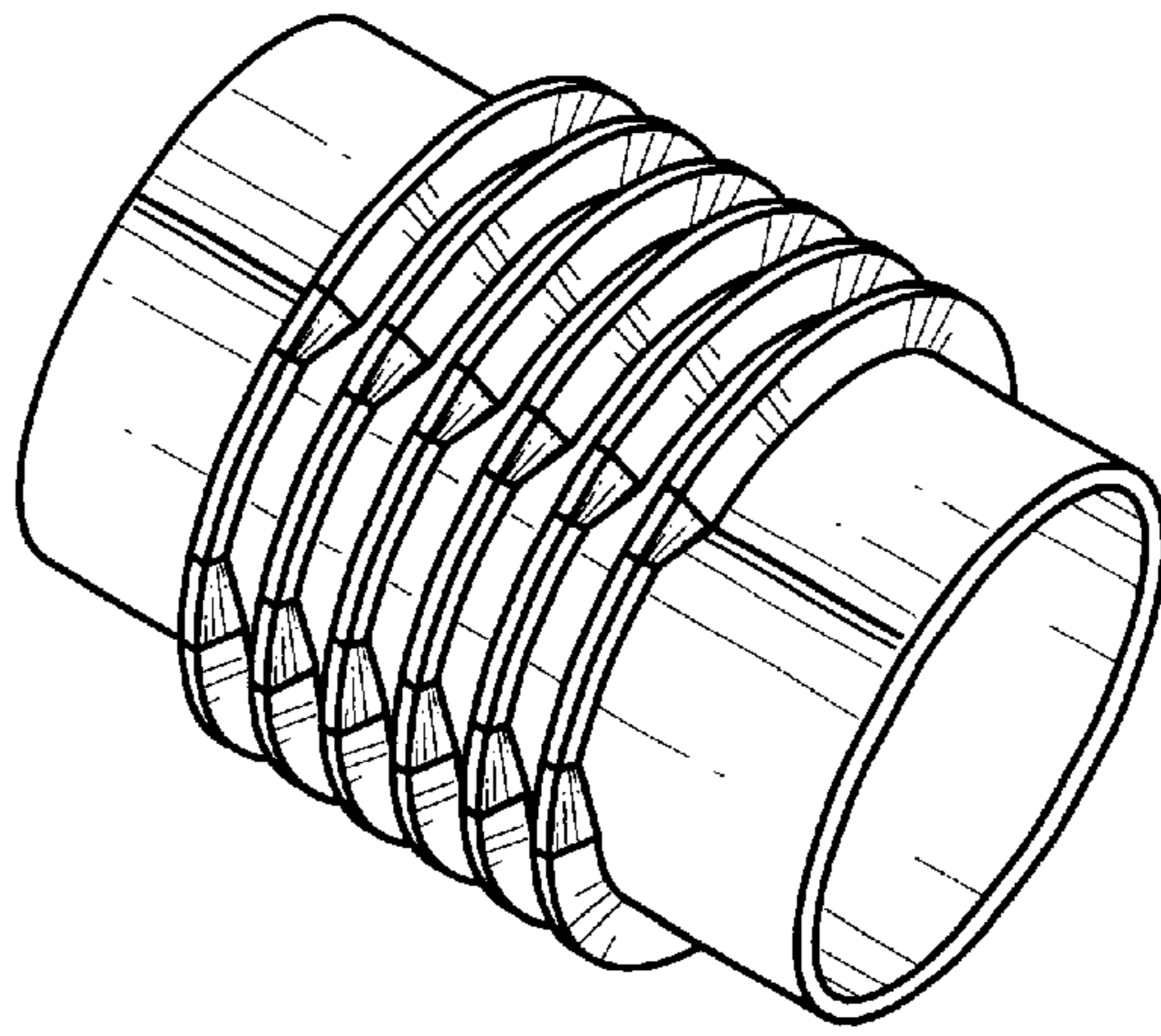


FIG. 1

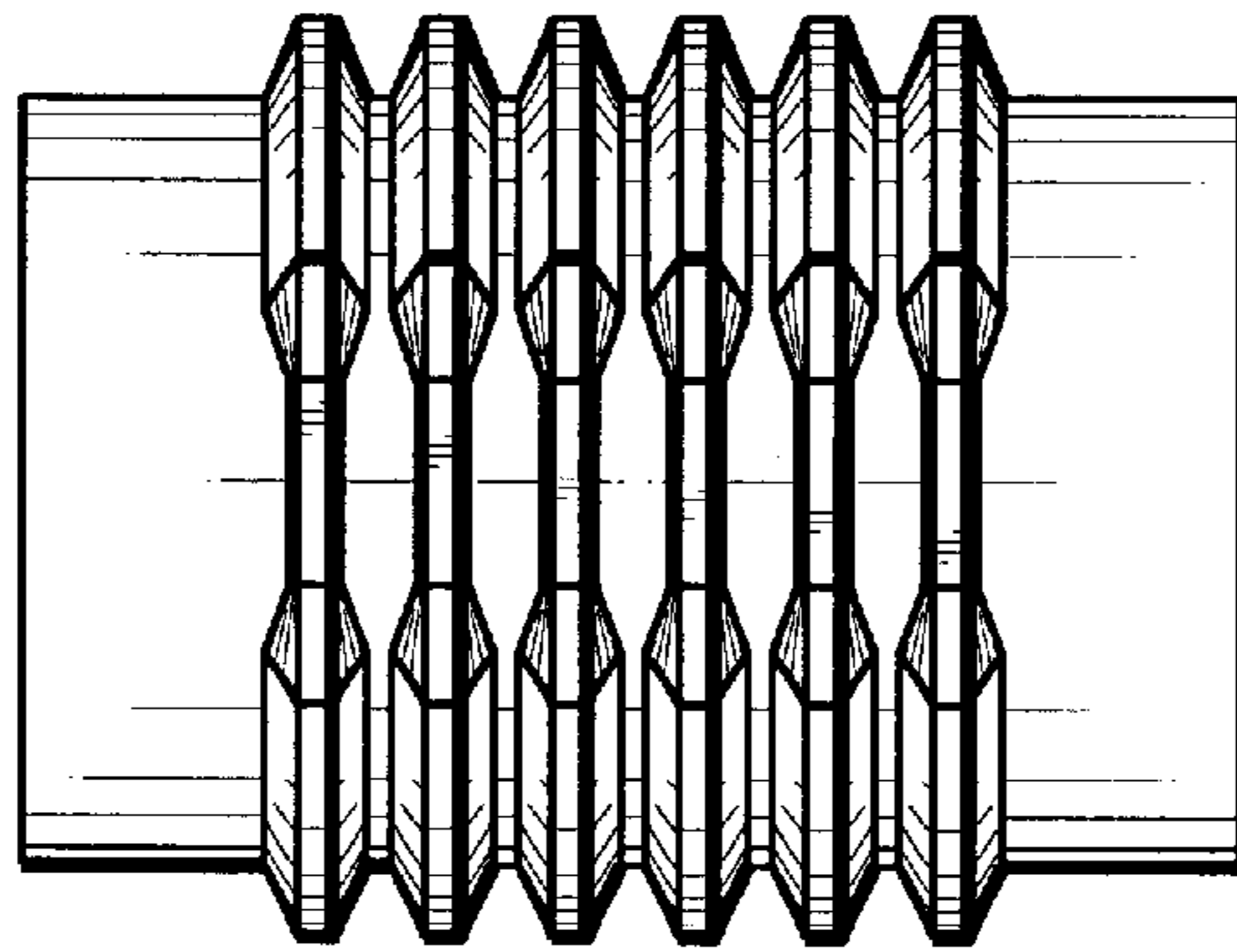


FIG. 2

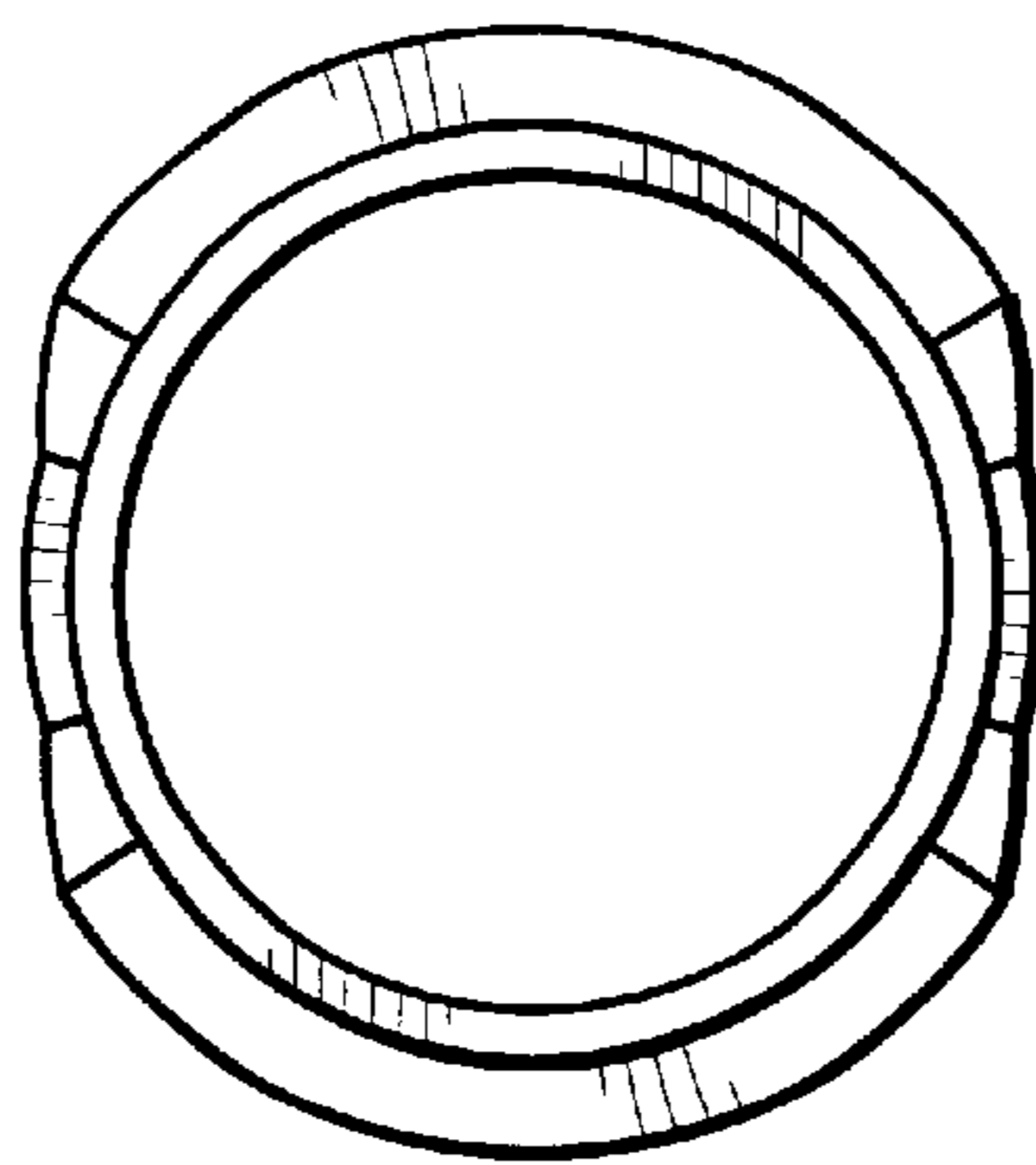


FIG. 3

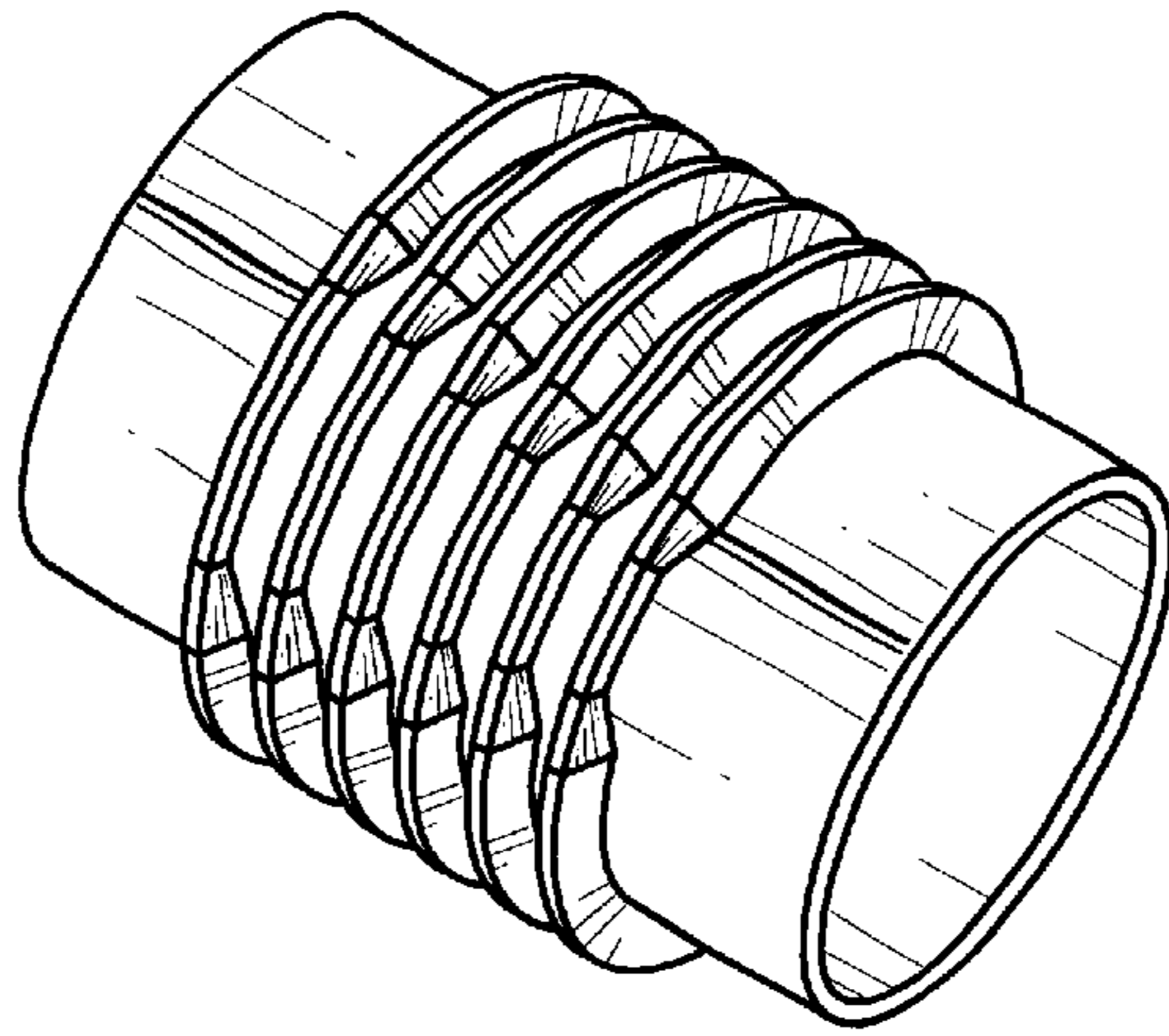


FIG. 4

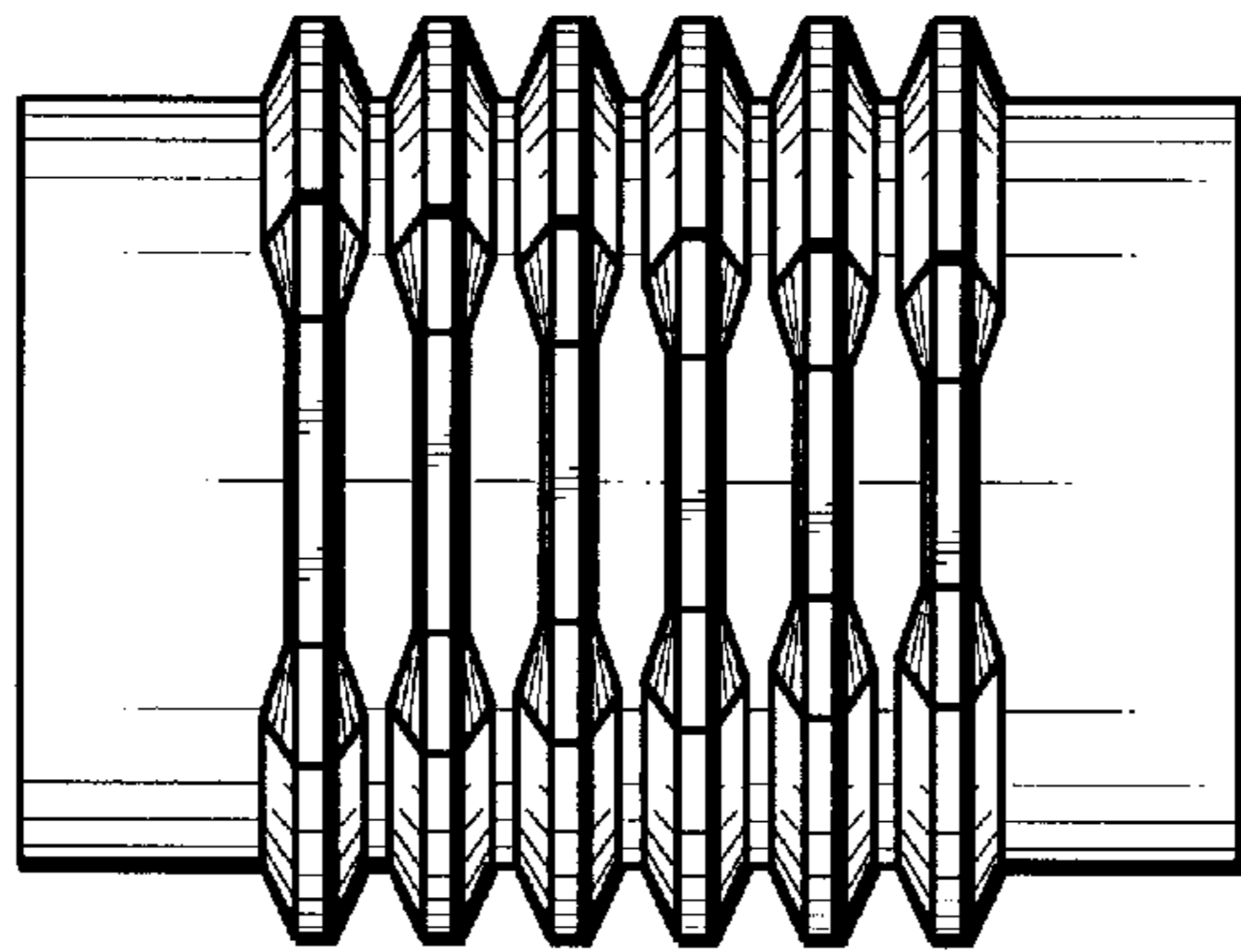


FIG. 5

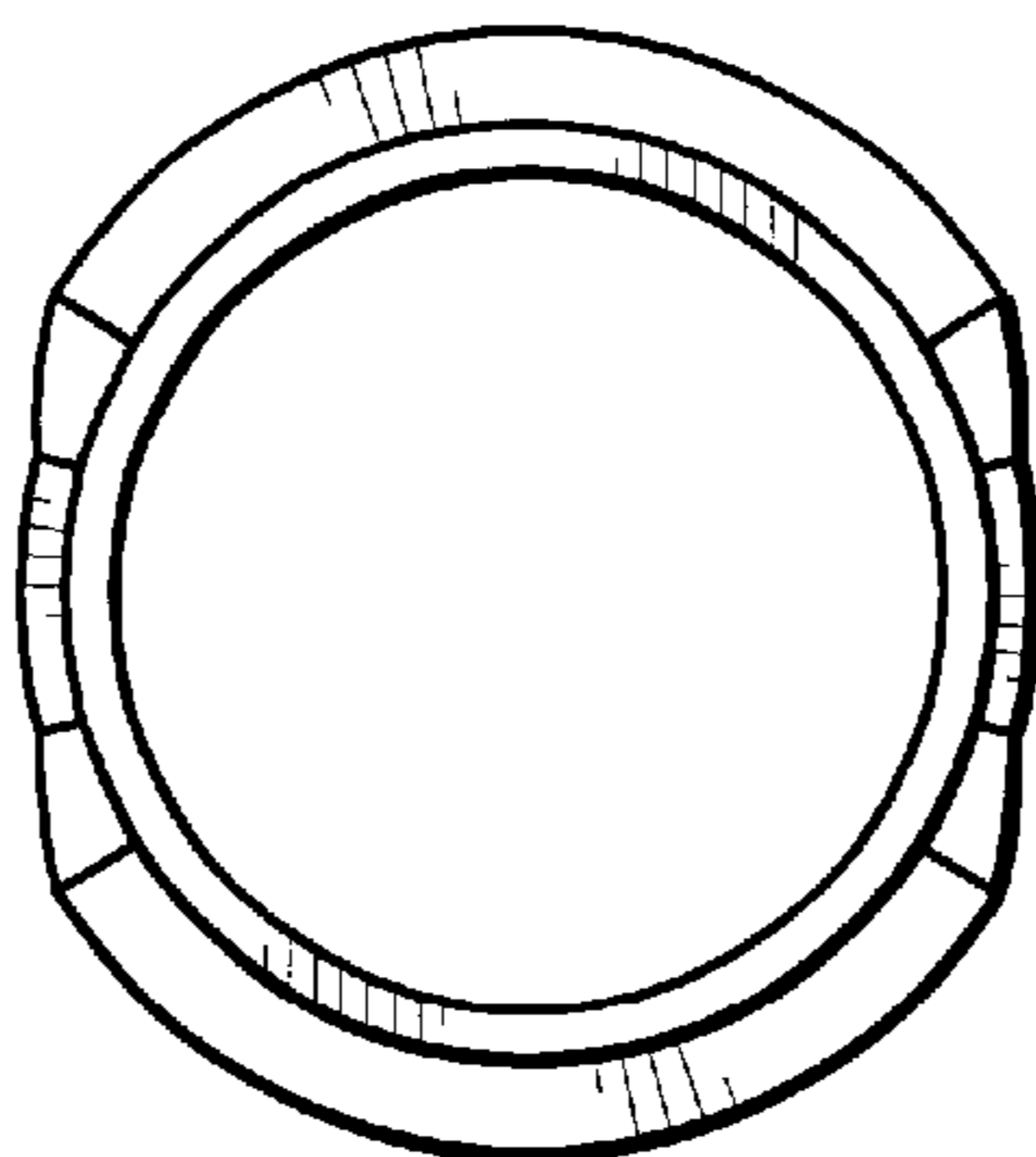


FIG. 6