



US00D447791B1

(12) **United States Design Patent**
Robidoux

(10) **Patent No.:** **US D447,791 S**

(45) **Date of Patent:** **** Sep. 11, 2001**

(54) **SPRAY GUN**

5,678,770 * 10/1997 Shah 239/690
6,003,779 * 12/1999 Robidoux 239/690

(75) Inventor: **Mark Alan Robidoux**, Coatesville, PA
(US)

* cited by examiner

(73) Assignee: **The Easthill Group, Inc.**, Pottstown,
PA (US)

Primary Examiner—Robin V. Taylor

(74) *Attorney, Agent, or Firm*—Duane, Morris &
Heckscher LLP

(**) Term: **14 Years**

(57) **CLAIM**

(21) Appl. No.: **29/134,142**

The ornamental design for a spray gun, as shown and
described.

(22) Filed: **Dec. 14, 2000**

DESCRIPTION

(51) **LOC (7) Cl.** **23-01**

FIG. 1 is a perspective view of a spray gun according to the
invention;

(52) **U.S. Cl.** **D23/226; D23/225**

FIG. 2 is a left side view of a spray gun;

(58) **Field of Search** D23/213, 223,
D23/226; 361/227, 228; 239/690, 691,
526

FIG. 3 is a right side view of a spray gun;

FIG. 4 is a rear view of a spray gun;

FIG. 5 is a front view of a spray gun;

FIG. 6 is a top view of a spray gun; and,

FIG. 7 is a bottom view of a spray gun.

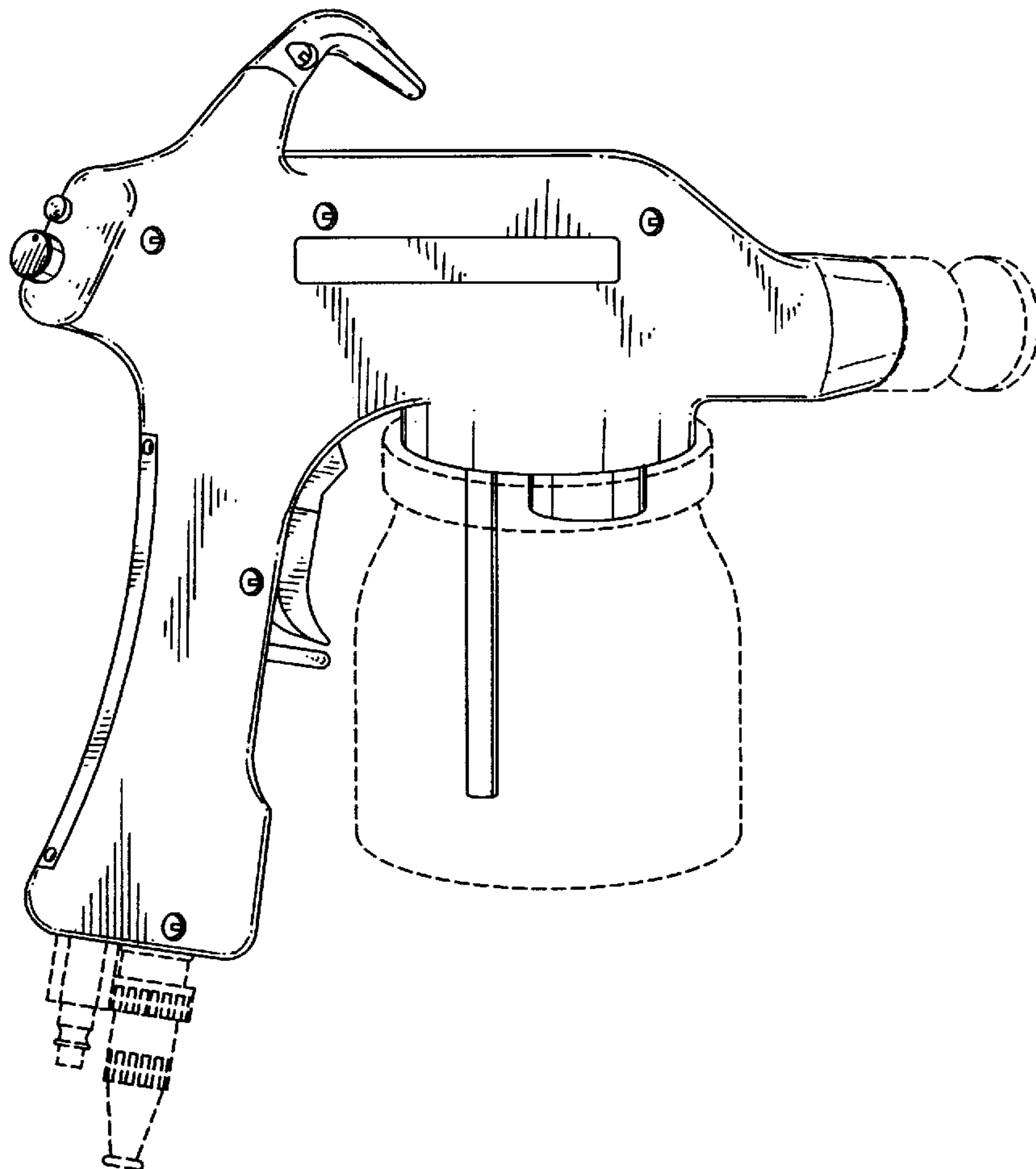
(56) **References Cited**

U.S. PATENT DOCUMENTS

D. 358,450 * 5/1995 Casey D23/223
D. 397,421 * 8/1998 Adams D23/226
5,503,880 * 4/1996 Matschke 361/227

The broken line showing is for illustrative purposes only and
forms no part of the claimed design.

1 Claim, 4 Drawing Sheets



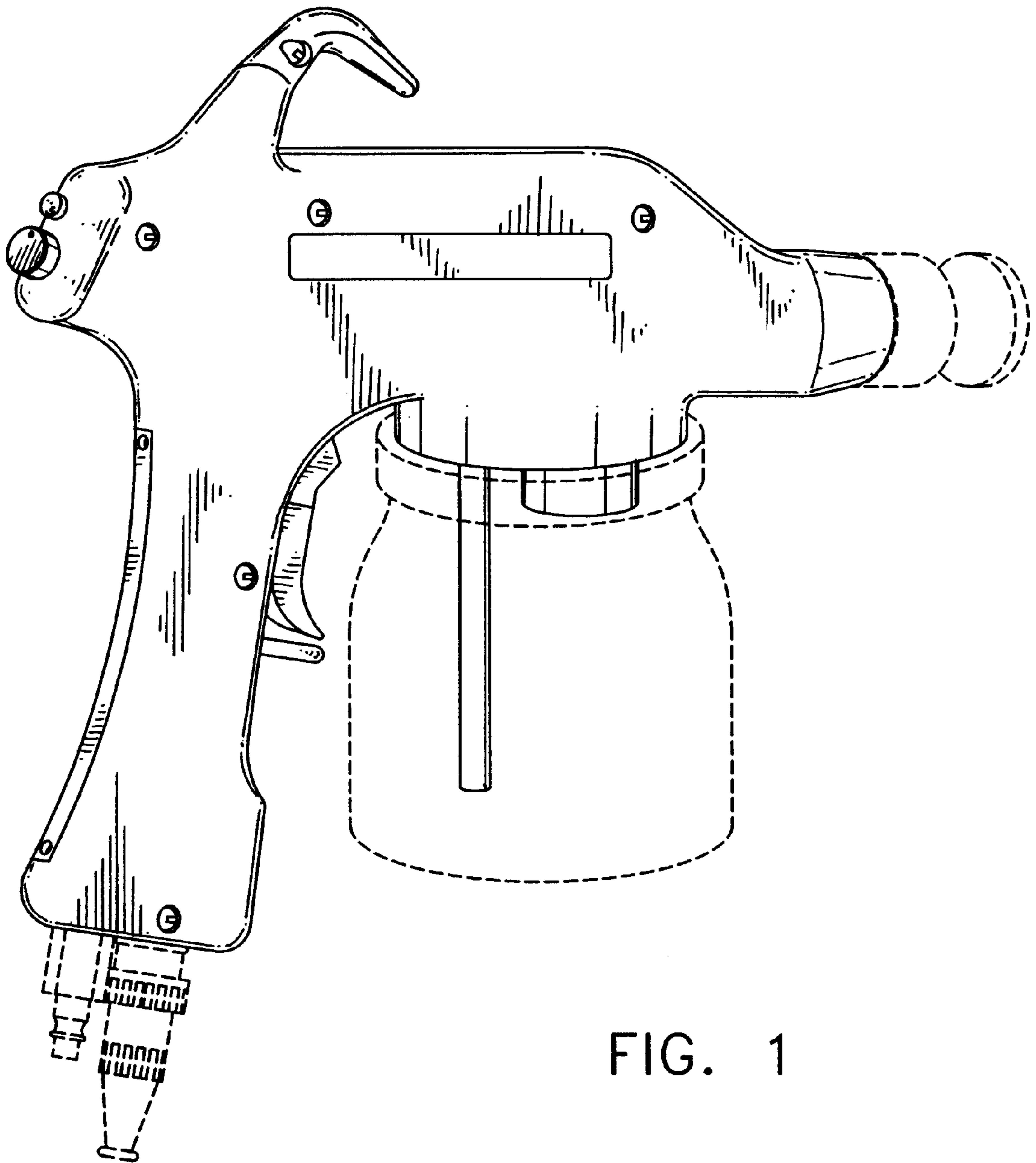


FIG. 1

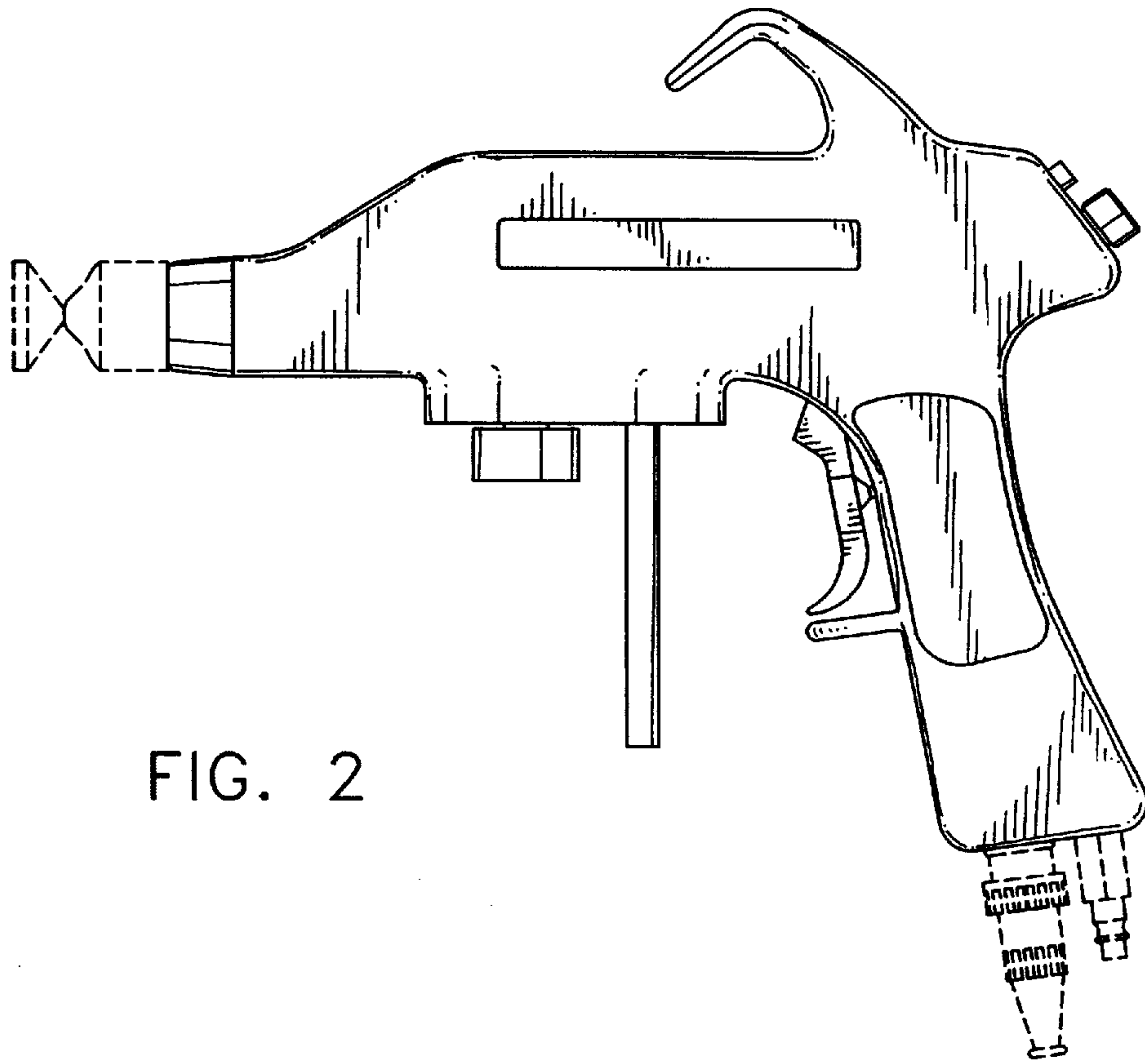


FIG. 2

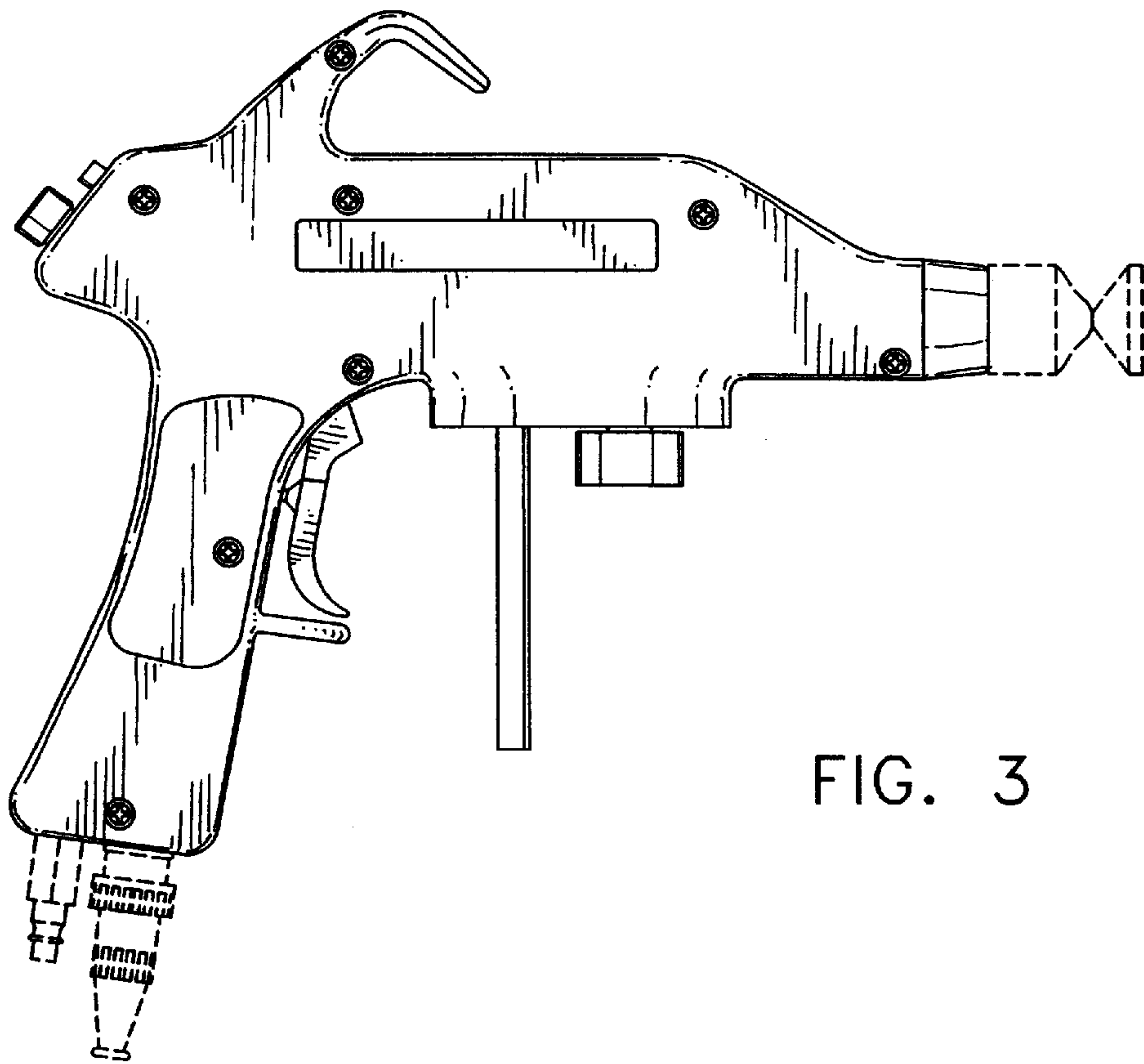


FIG. 3

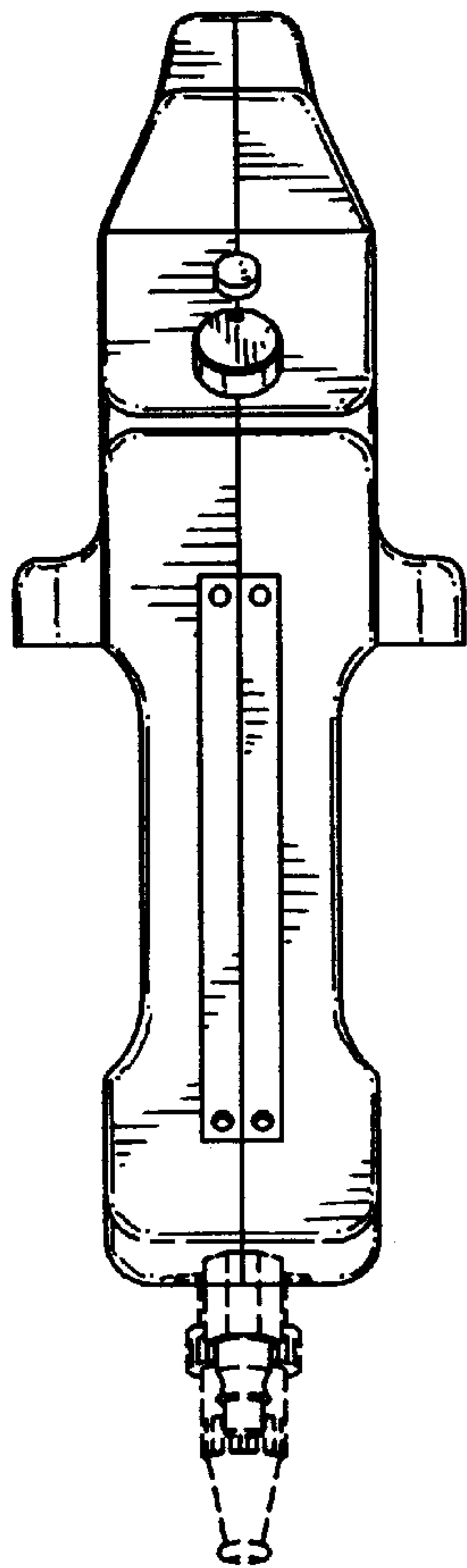


FIG. 4

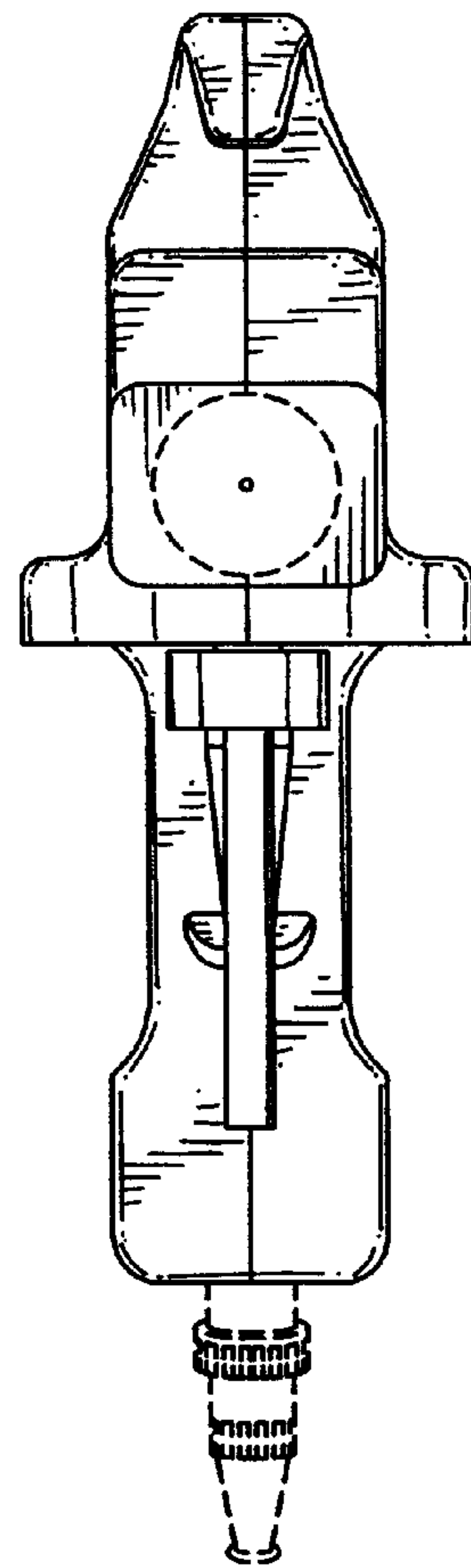


FIG. 5

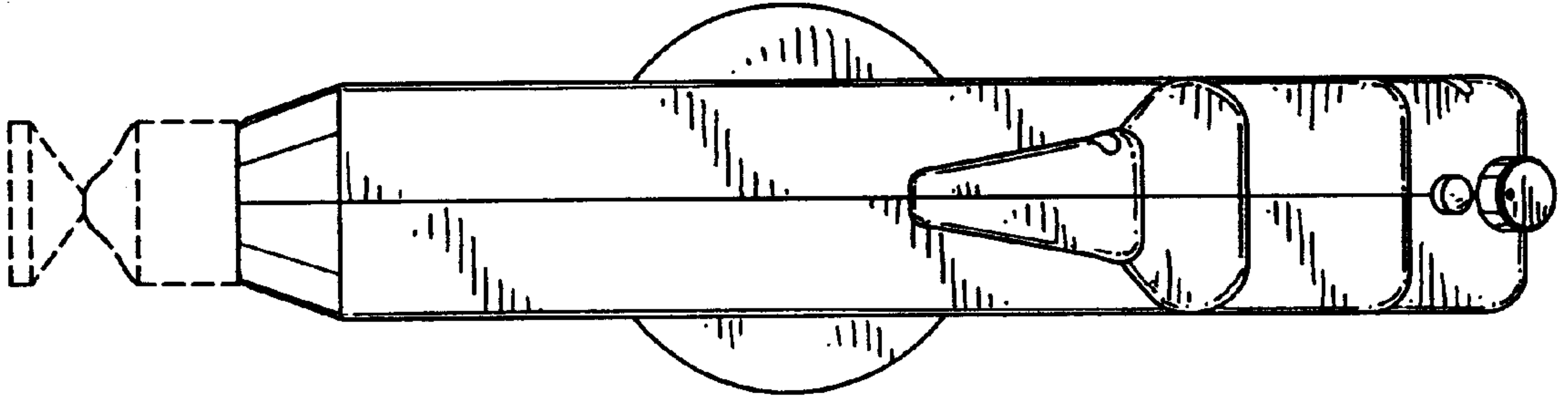


FIG. 6

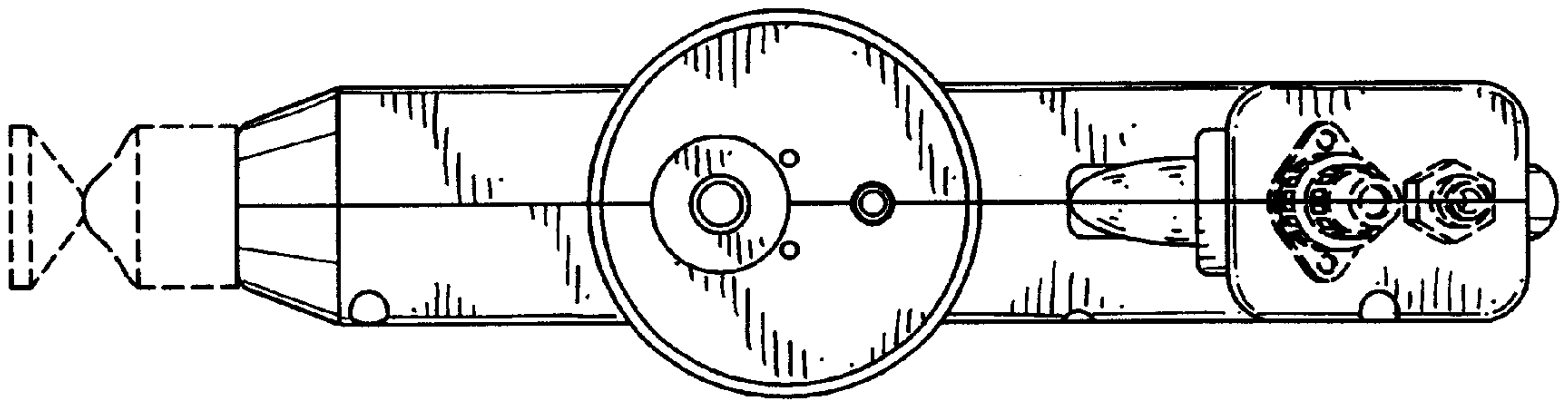


FIG. 7