



US00D447790B1

(12) **United States Design Patent**
Heren et al.

(10) **Patent No.:** **US D447,790 S**

(45) **Date of Patent:** **** Sep. 11, 2001**

(54) **FRONT TRIGGER NOZZLE**

(75) Inventors: **Lawrence P. Heren**, East Peoria; **Scott Jacobs**, Bloomington, both of IL (US)

(73) Assignee: **L. R. Nelson**, Peoria, IL (US)

(**) Term: **14 Years**

(21) Appl. No.: **29/127,832**

(22) Filed: **Aug. 11, 2000**

(51) **LOC (7) Cl.** **23-01**

(52) **U.S. Cl.** **D23/226**

(58) **Field of Search** D23/213, 223,
D23/226; 239/525-527

(56) **References Cited**

U.S. PATENT DOCUMENTS

D. 325,620 * 4/1992 Heren D23/223

D. 370,713 * 6/1996 Guo D23/223

D. 370,962 * 6/1996 Aquilina D23/223

* cited by examiner

Primary Examiner—Robin V. Taylor

(74) *Attorney, Agent, or Firm*—Mayer, Brown & Platt

(57) **CLAIM**

The ornamental design for a front trigger nozzle, as shown.

DESCRIPTION

FIG. 1 is a isometric view thereof;
FIG. 2 is a top plan view thereof;
FIG. 3 is a bottom plan view thereof;
FIG. 4 is a front elevational view showing my new design;
FIG. 5 is a rear elevational view thereof;
FIG. 6 is a right side elevational view thereof; and,
FIG. 7 is a left side elevational view thereof.

1 Claim, 5 Drawing Sheets

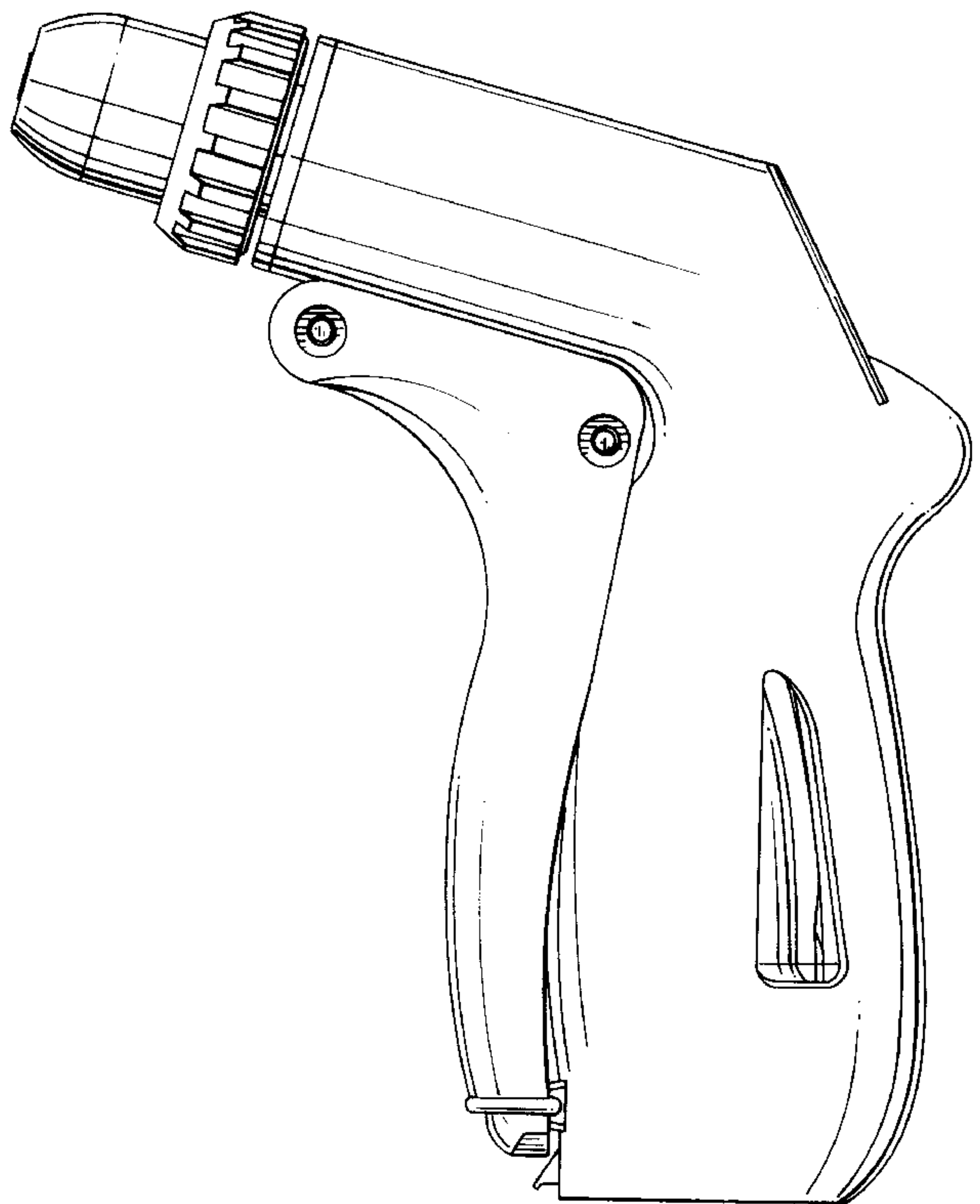
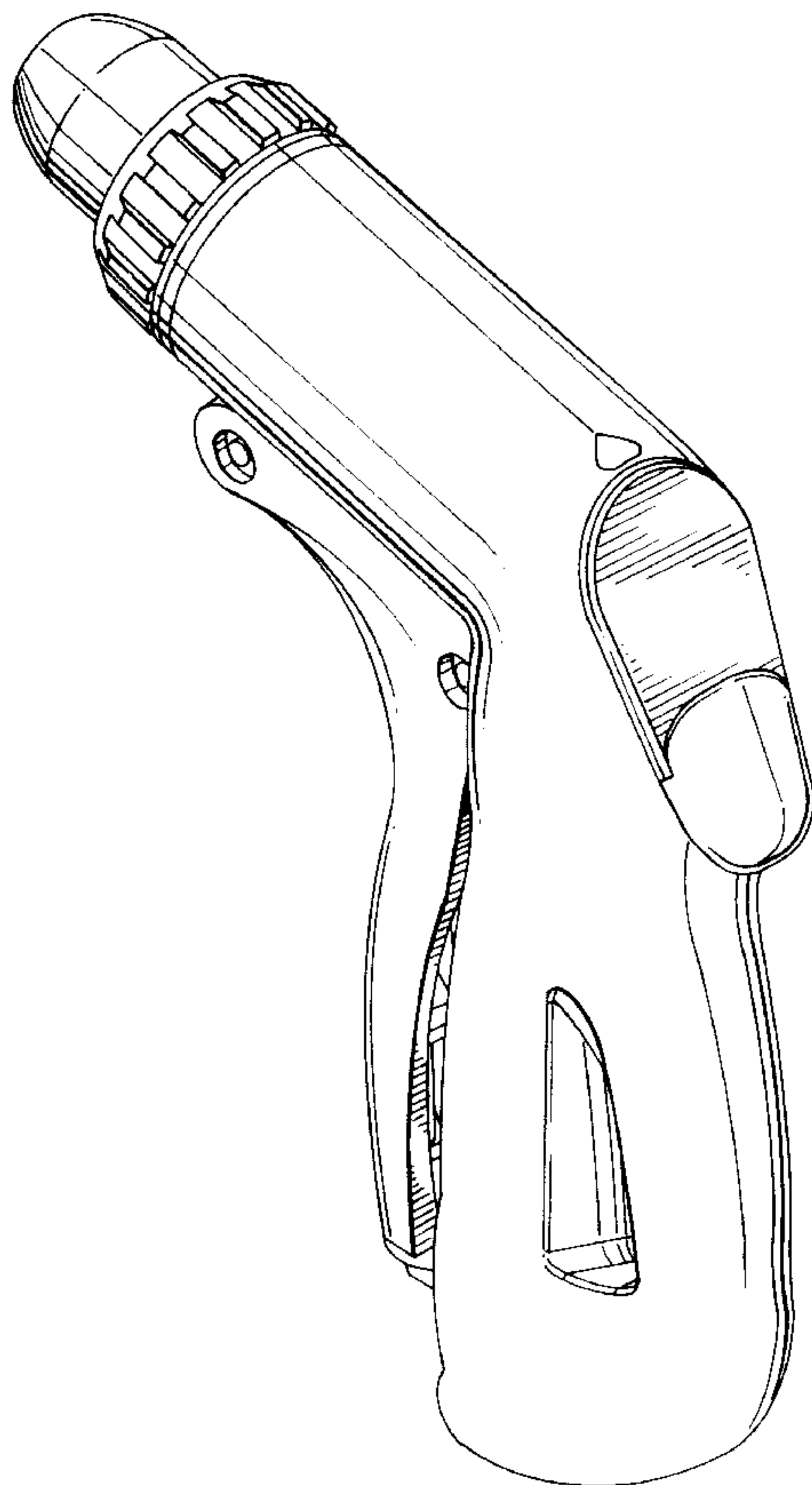


FIG. 1

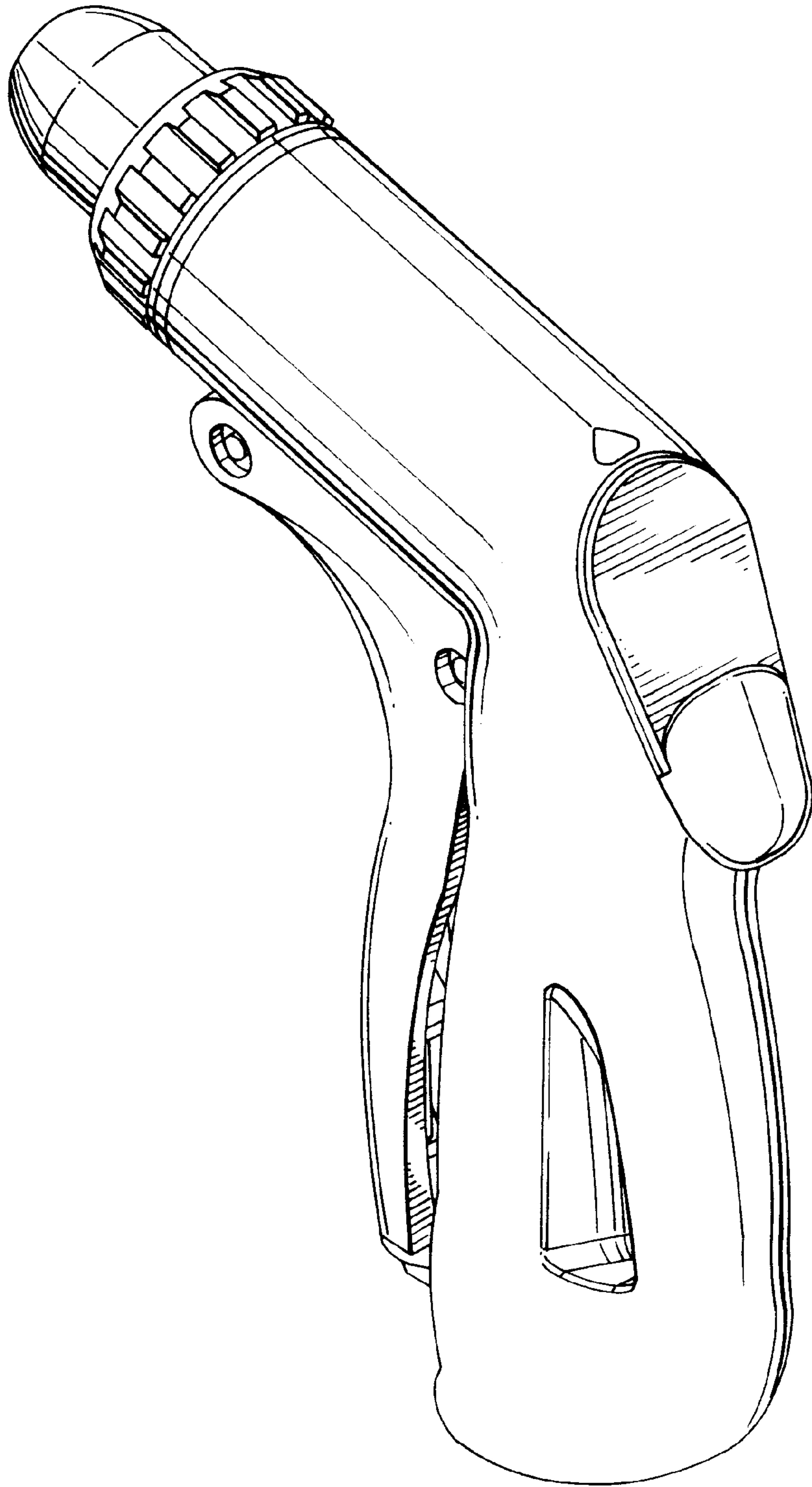


FIG. 2

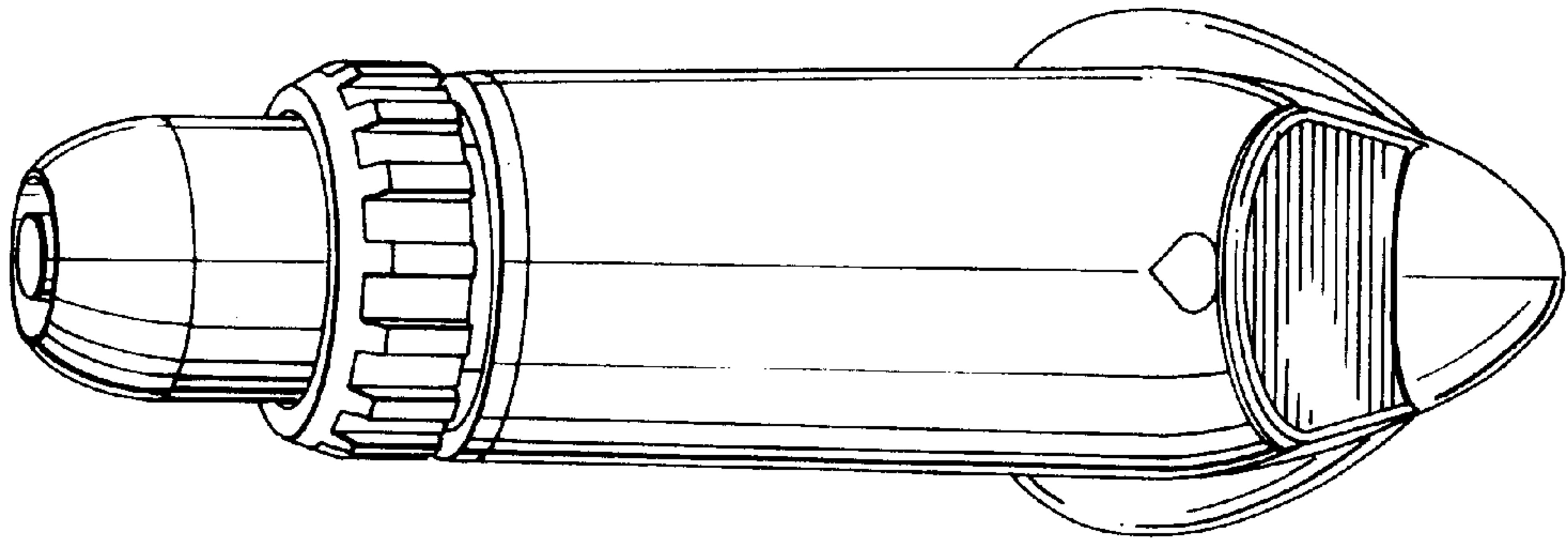


FIG. 3

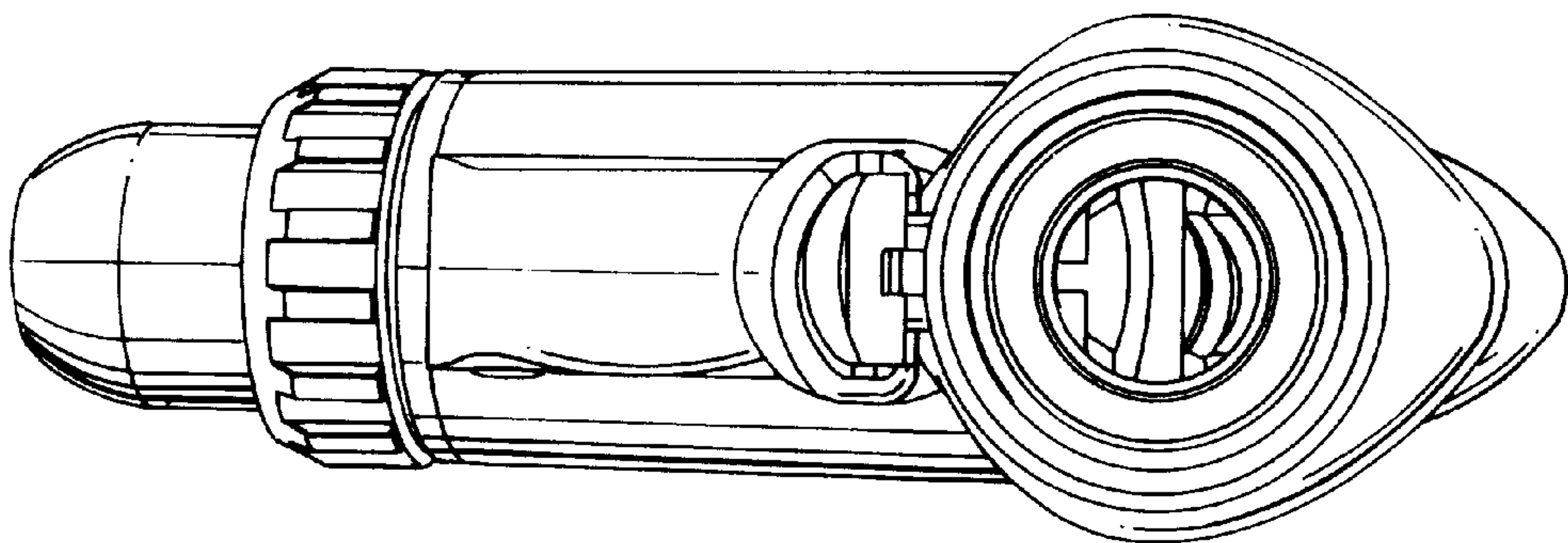


FIG. 4

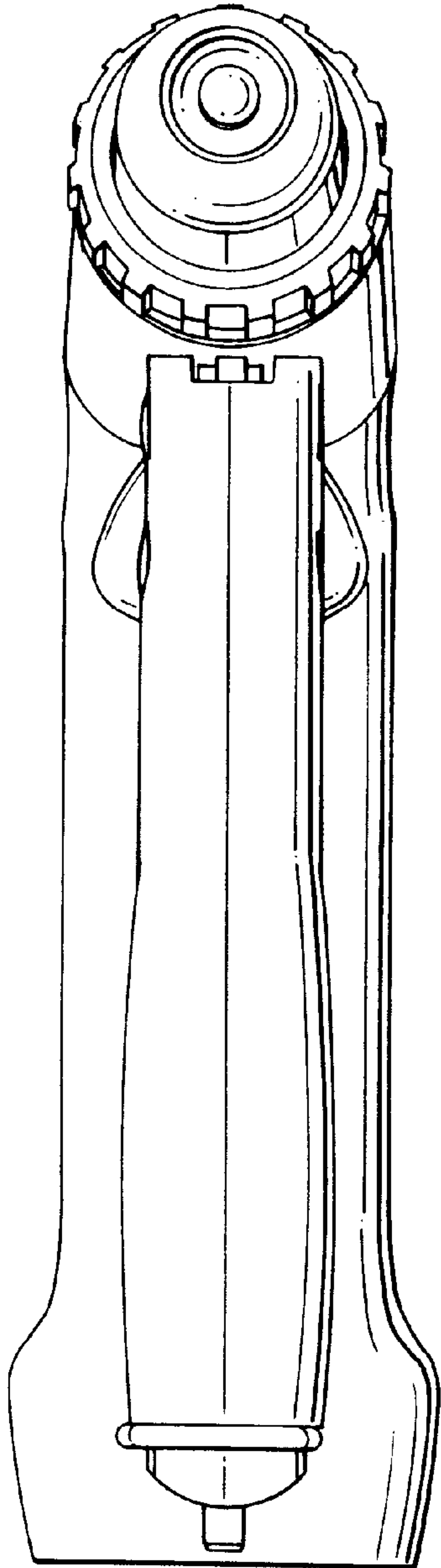


FIG. 5

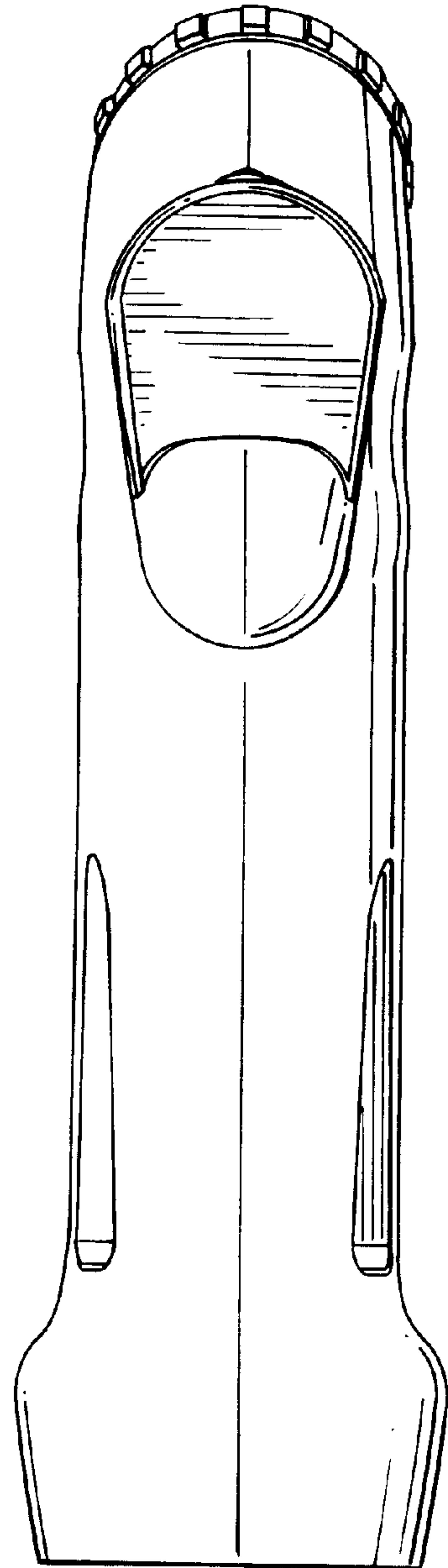


FIG. 6

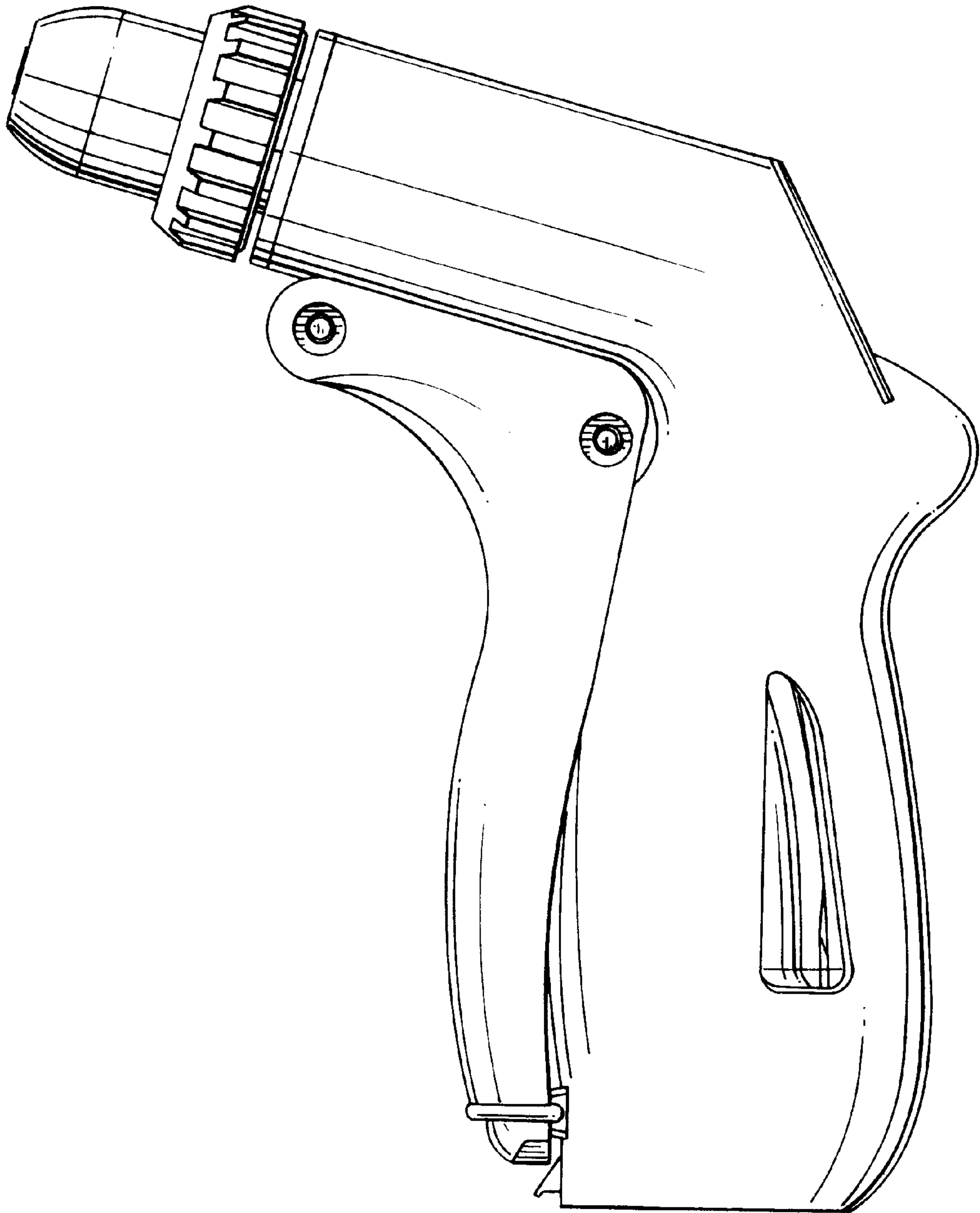


FIG. 7

