



US00D447786B1

(12) **United States Design Patent**
Huffman

(10) **Patent No.:** **US D447,786 S**

(45) **Date of Patent:** **** Sep. 11, 2001**

(54) **ELECTRIC FISHING REEL DRIVE**

(75) Inventor: **Carl T. Huffman**, Summerfield, NC (US)

(73) Assignee: **Electric Fishing Reel Systems, Inc.**, NC (US)

(**) Term: **14 Years**

(21) Appl. No.: **29/120,792**

(22) Filed: **Mar. 27, 2000**

(51) **LOC (7) Cl.** **22-05**

(52) **U.S. Cl.** **D22/140**

(58) **Field of Search** D22/140, 139,
D22/141, 138; 43/21, 20; 242/250, 390.8,
323, 249, 269, 225

(56) **References Cited**

U.S. PATENT DOCUMENTS

D. 226,377	*	2/1973	Huffman	D22/139
D. 259,503	*	6/1981	Huffman	D22/139
3,126,166	*	3/1964	Weinberg	242/250
3,979,081	*	9/1976	Miyamae	242/84.1
4,283,025	*	8/1981	Whisenhunt	242/84.1
4,784,346	*	11/1988	Steffan	242/250

OTHER PUBLICATIONS

Elec-Tra-Mate Instruction Manual (undated), 16 pages, 1979.*

Elec-Tra-Mate Instruction Manual (undated), 24 pages.*

Elec-Tra-Mate Owner's Manual, Published May 1995, 23 pages.*

Elec-Tra-Mate Instruction Manual, (undated), 20 pages.*

Elec-Tra-Mate Electric Fishing Reel Drives brochure, (undated), 6 pages, 1979.*

Elec-Tra-Mate Electric Fishing Reels Drives for Penn Reels, 1995 Our Silver Anniversary! brochure, (undated), 8 pages.*

Outer Banks Outfitters Summer 1999 Monster Catalog, (front and back cover and page 127).*

Whisenhunt Electric Fishing Reels brochure, (undated), 4 pages.*

* cited by examiner

Primary Examiner—Catherine R. Oliver

(57) **CLAIM**

The ornamental design for an electric fishing reel drive, as shown and described.

DESCRIPTION

FIG. 1 is a top plan view of an electric fishing reel drive with a fishing reel shown thereon in dashed lines, the reel forming no part of the design embodiment;

FIG. 2 is a bottom plan view of the fishing reel drive design of FIG. 1;

FIG. 3 is a front elevational view thereof;

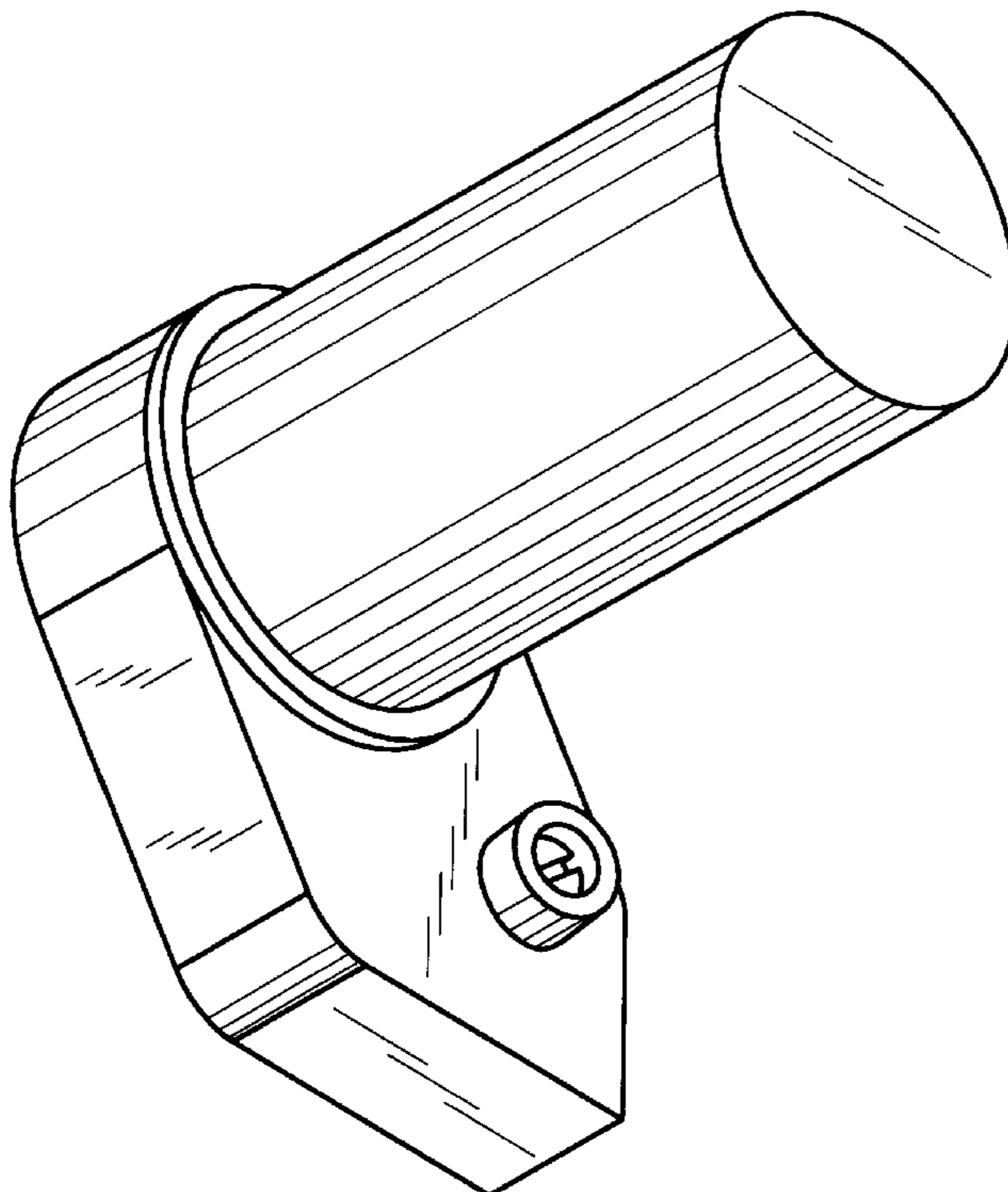
FIG. 4 is a rear elevational view thereof;

FIG. 5 is a left side elevational view thereof;

FIG. 6 is a right side elevational view thereof, and,

FIG. 7 is a rear left side perspective view thereof.

1 Claim, 4 Drawing Sheets



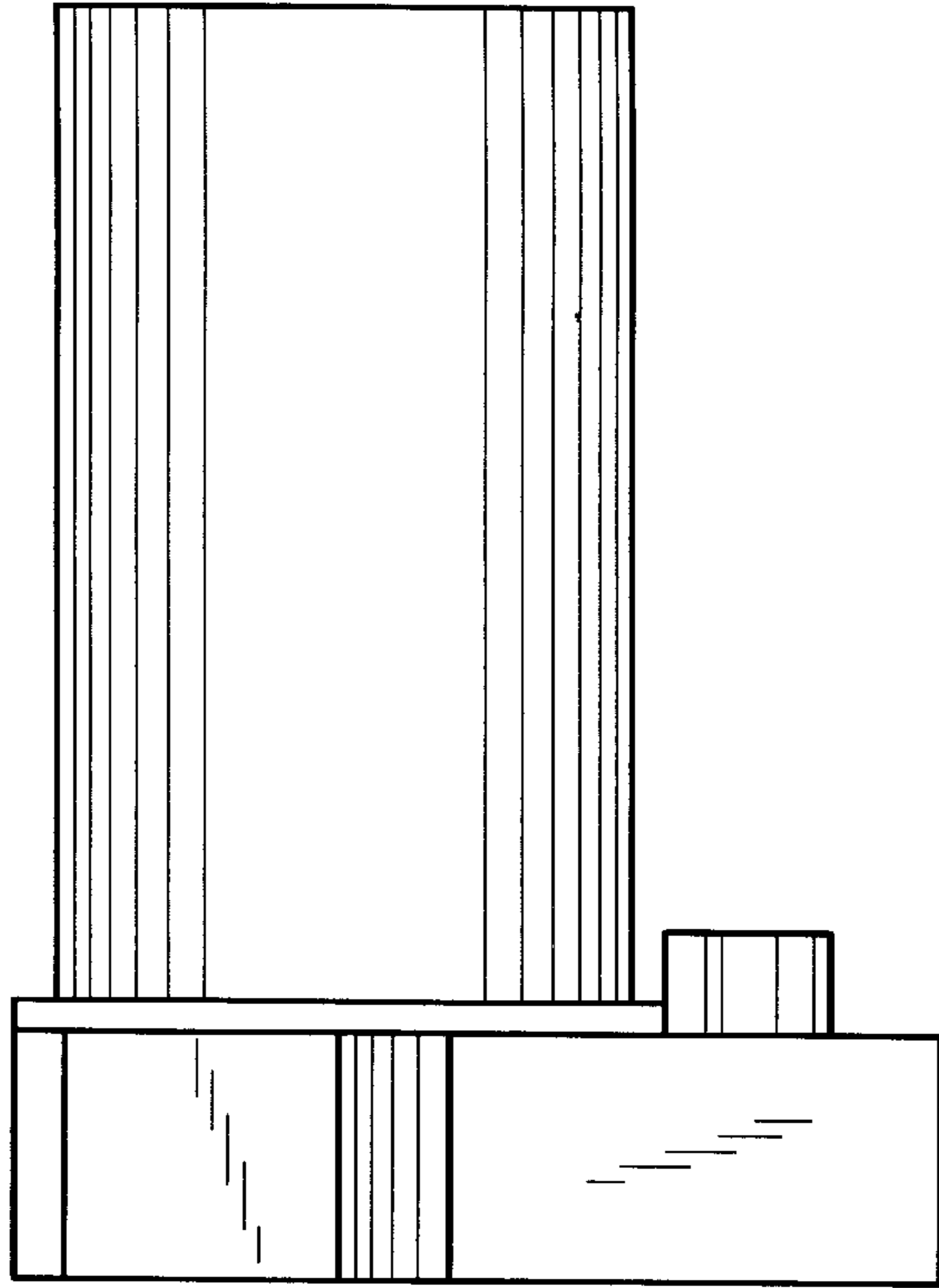


FIG. 2

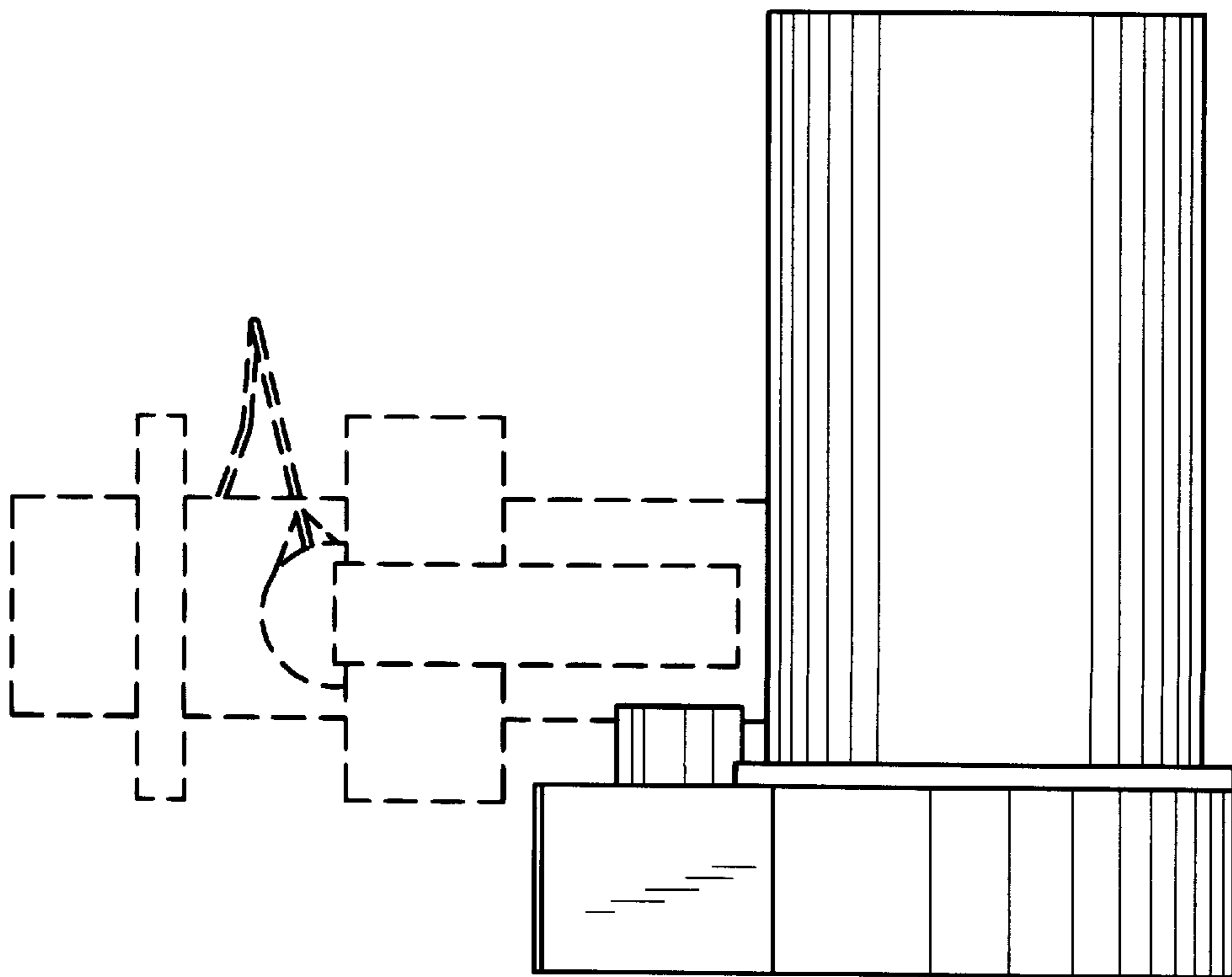


FIG. 1

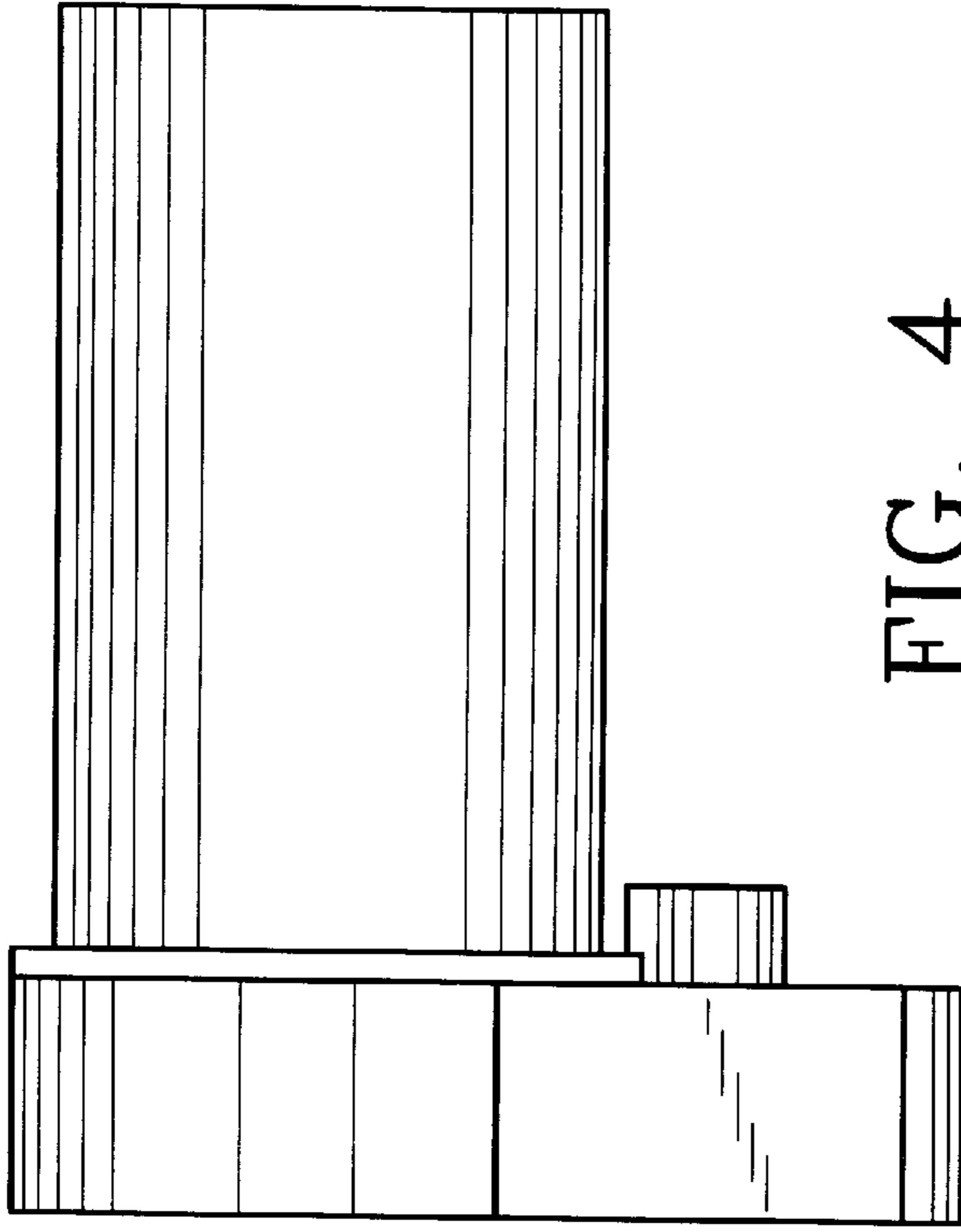


FIG. 4

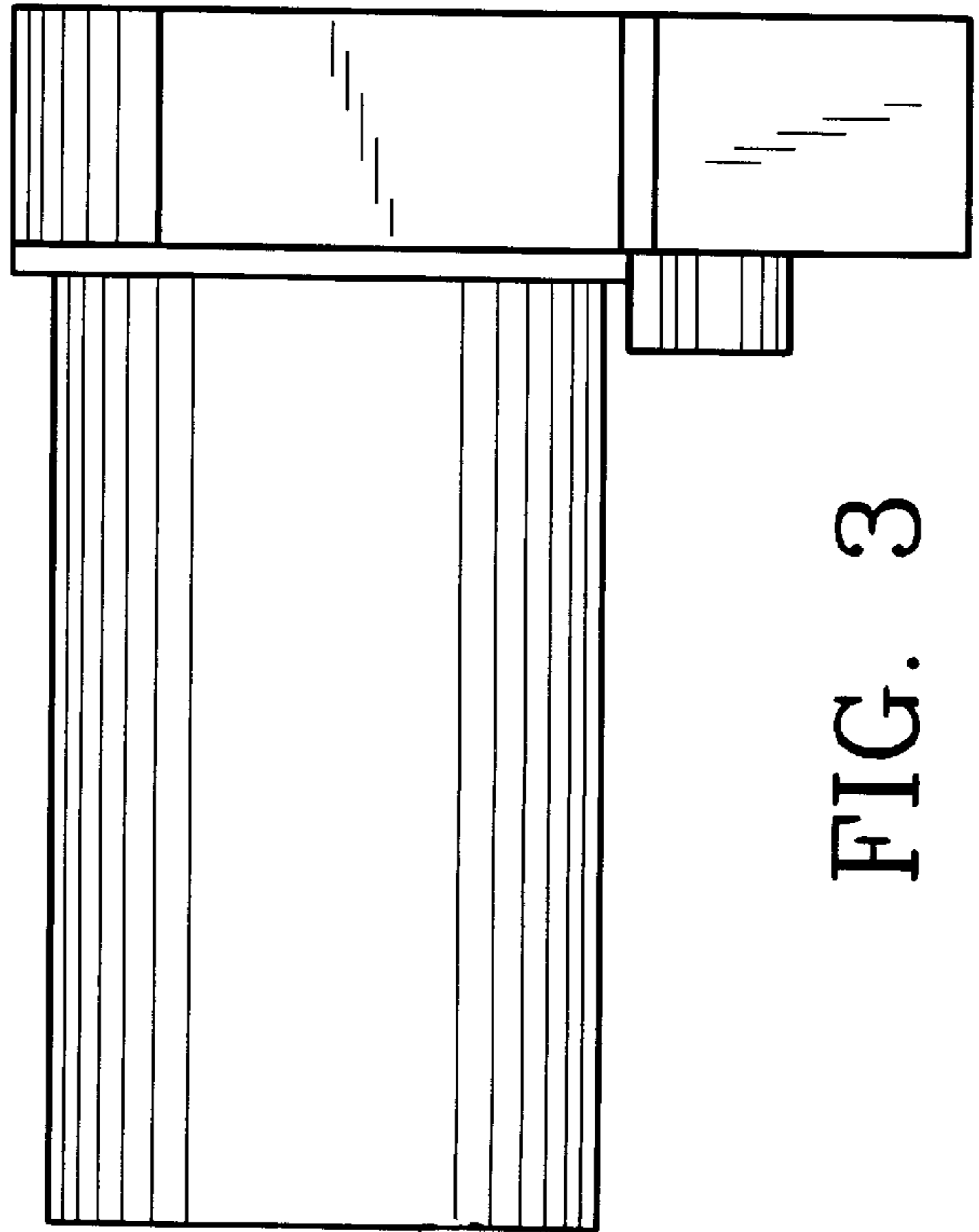


FIG. 3

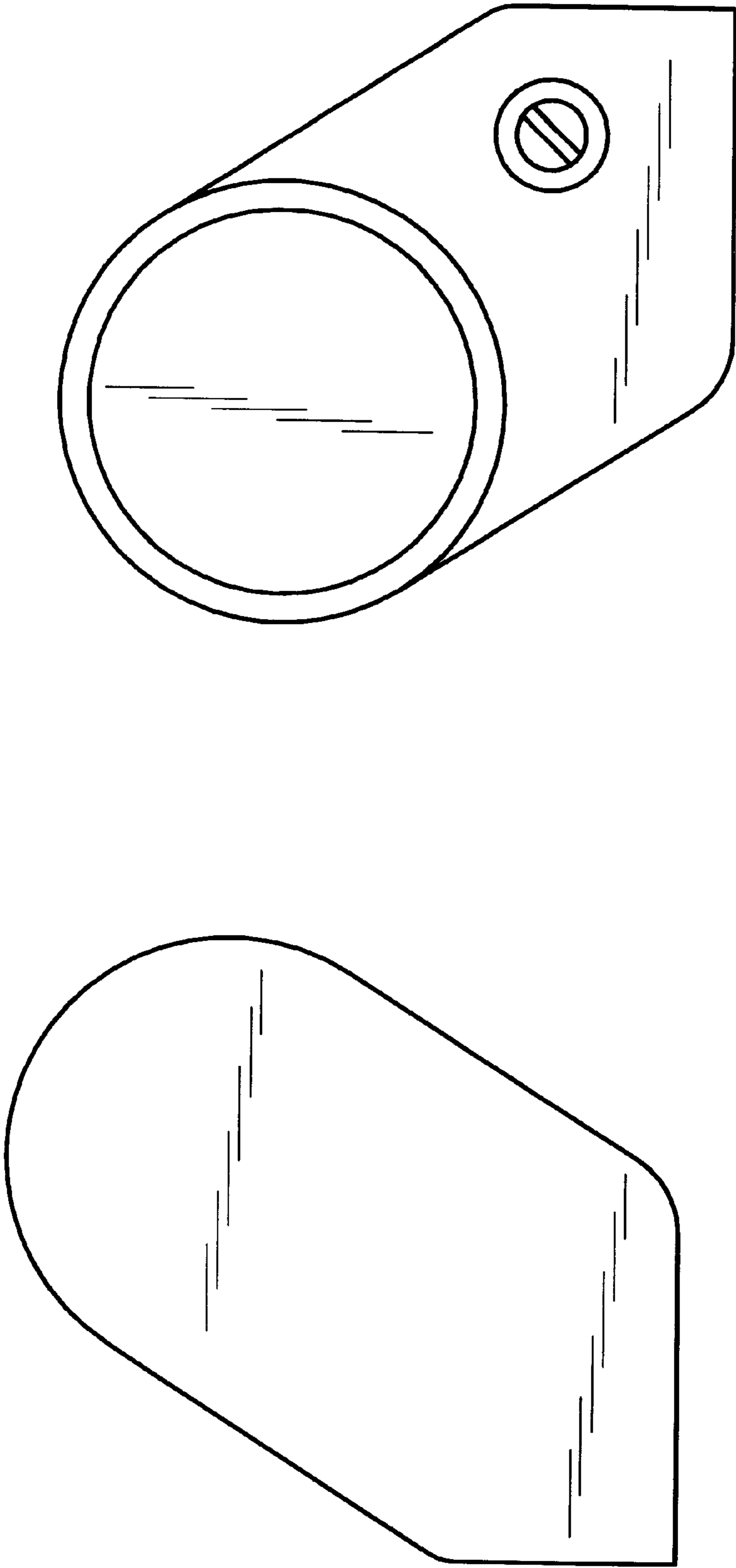


FIG. 6

FIG. 5

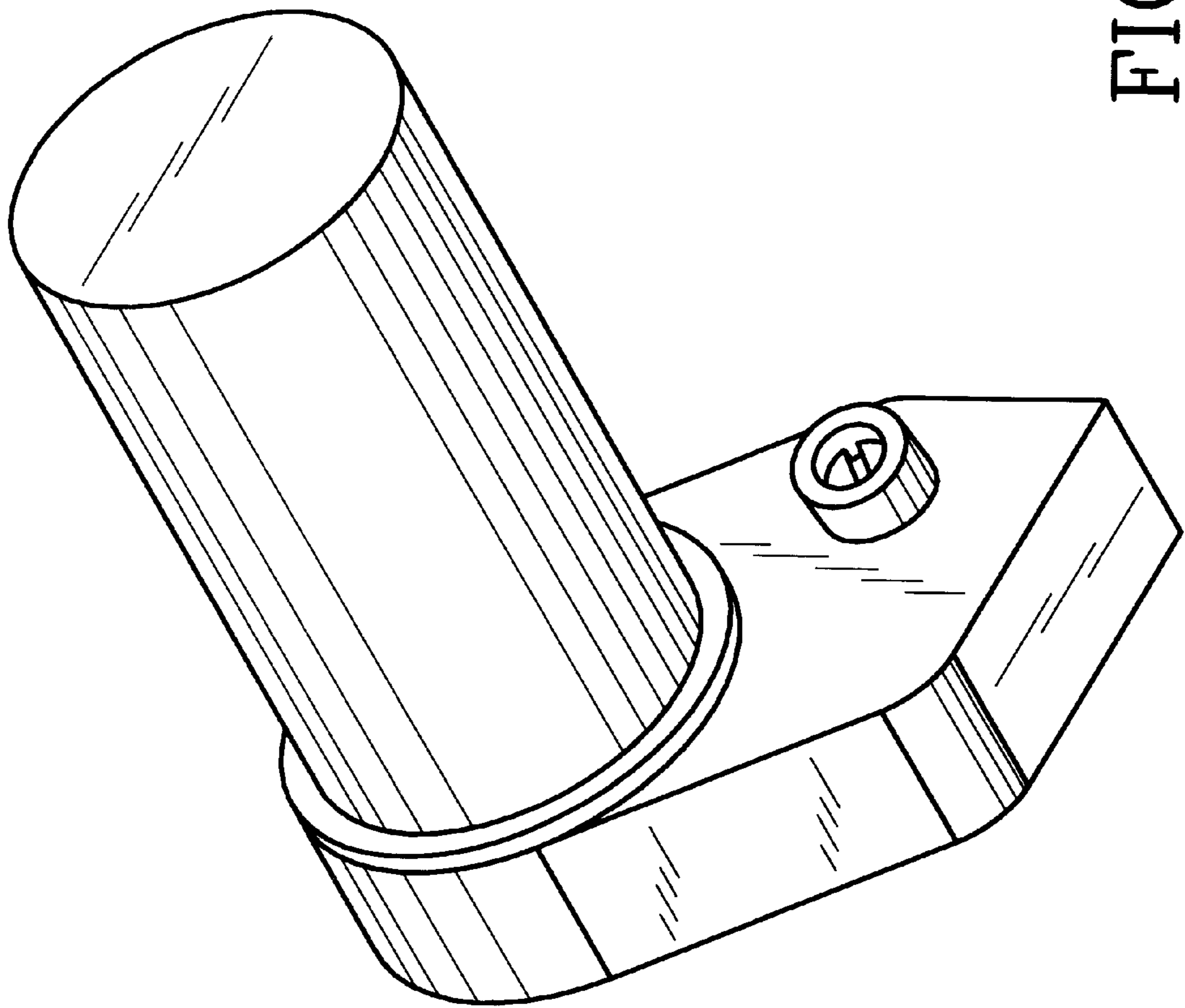


FIG. 7