



US00D447785B1

(12) **United States Design Patent**  
**Fireman et al.**

(10) **Patent No.:** **US D447,785 S**

(45) **Date of Patent:** **\*\* Sep. 11, 2001**

(54) **SLED**

(76) Inventors: **Andrew Fireman**, 11041 Cedarwood Dr., North Bethesda, MD (US) 20817;  
**Thomas Eckert**, 10354 College Sq., Columbia, MD (US) 21044

(\*\*) Term: **14 Years**

(21) Appl. No.: **29/136,744**

(22) Filed: **Feb. 6, 2001**

(51) **LOC (7) Cl.** ..... **21-02**

(52) **U.S. Cl.** ..... **D21/769; D12/11; D21/801**

(58) **Field of Search** ..... **D21/760, 761, D21/769, 770, 801, 803; D12/6, 10, 11; 280/12.1, 18, 18.1; 441/74, 65, 66, 129, 68, 70, 79**

(56) **References Cited**

**U.S. PATENT DOCUMENTS**

- D. 356,756 \* 3/1995 Kilk et al. .... D12/11
- D. 380,705 \* 7/1997 Fenton et al. .... D12/11

- D. 389,546 \* 1/1998 Stewart ..... D21/769
- D. 402,592 \* 12/1998 Fireman ..... D12/11
- D. 402,593 \* 12/1998 Fireman ..... D12/11
- D. 421,580 \* 3/2000 Fireman et al. .... D12/11
- D. 440,619 \* 4/2001 Chiang ..... D21/803
- 5,447,459 \* 9/1995 Hammond ..... 441/135

\* cited by examiner

*Primary Examiner*—Kay H. Chin

(74) *Attorney, Agent, or Firm*—Steven N. Fox, Esq.

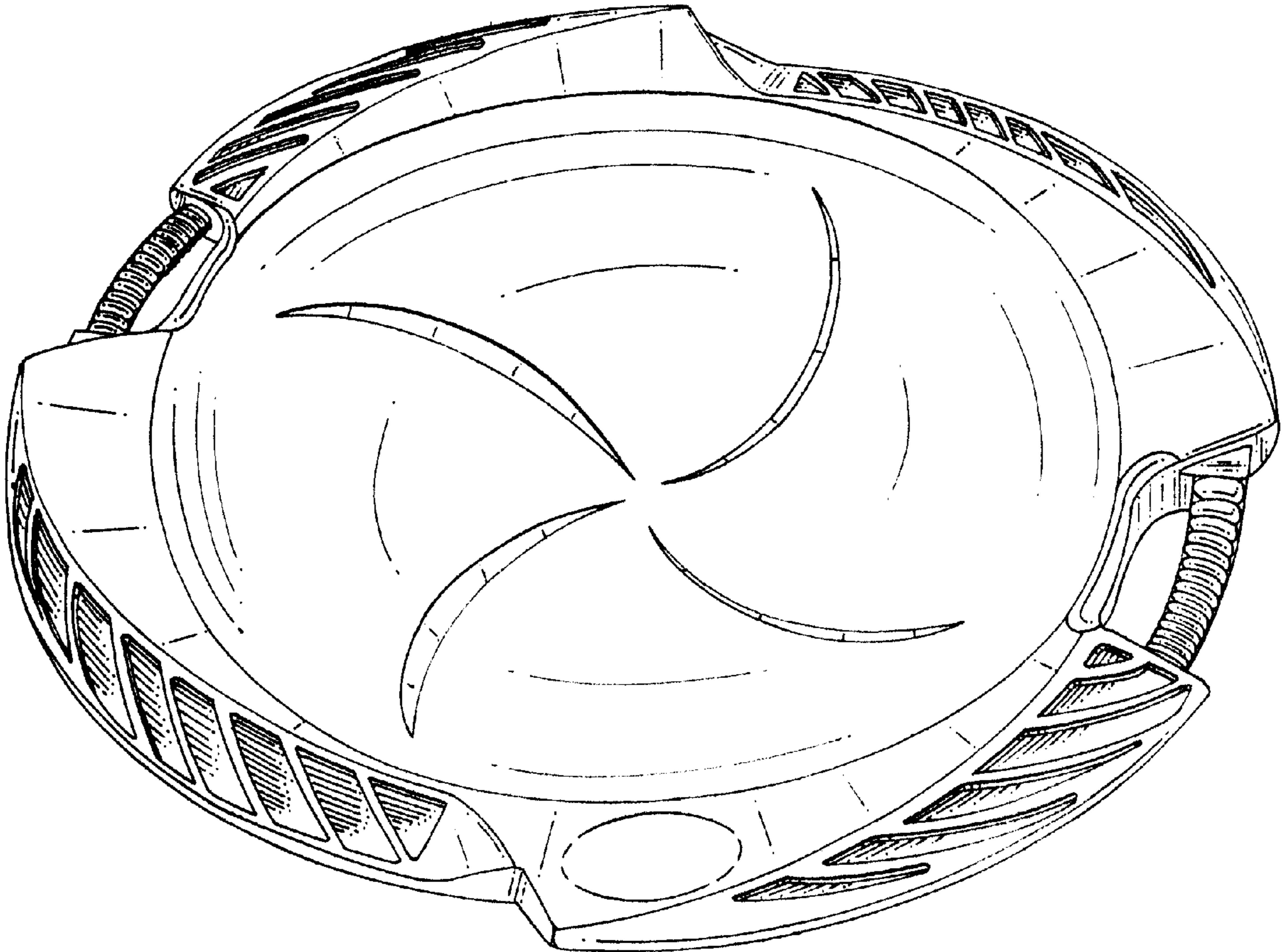
(57) **CLAIM**

The ornamental design for a sled, as shown and described.

**DESCRIPTION**

FIG. 1 is a top perspective view of a sled showing our new design;  
FIG. 2 is a top plan view thereof;  
FIG. 3 is a bottom plan view thereof;  
FIG. 4 is a side elevational view thereof; and,  
FIG. 5 is a front elevational view thereof.

**1 Claim, 2 Drawing Sheets**



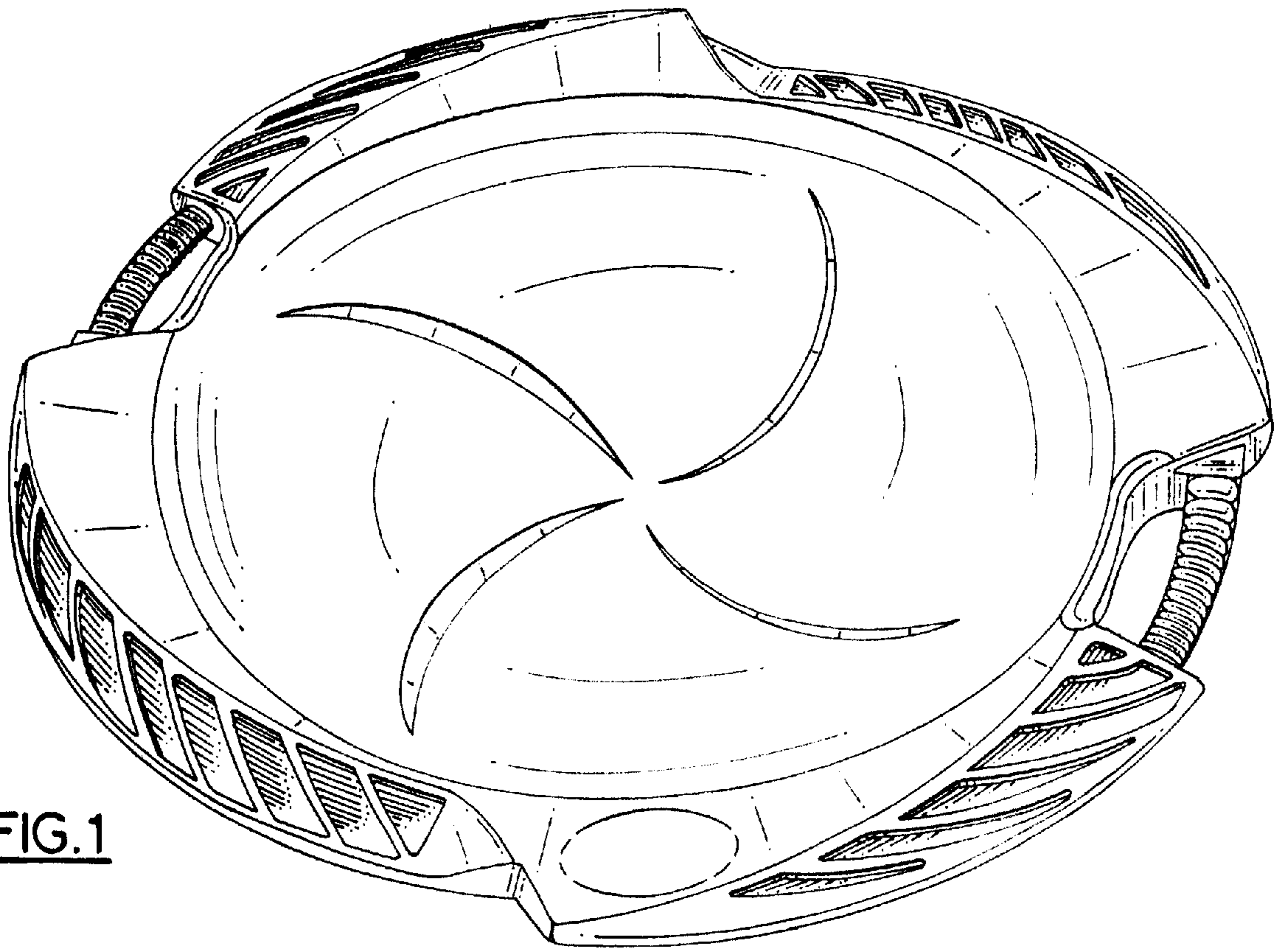


FIG.1

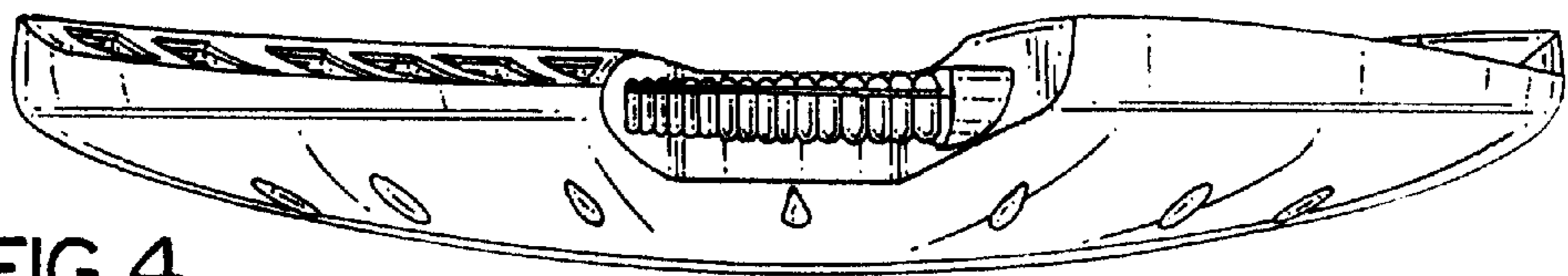


FIG.4

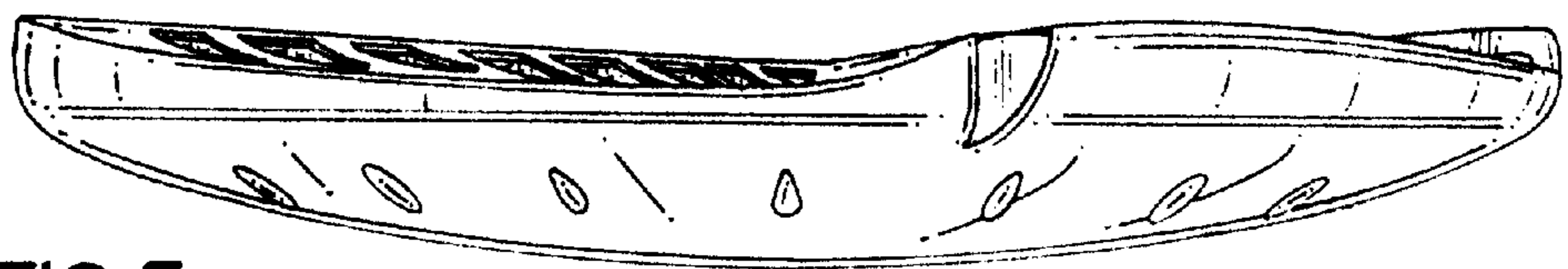


FIG.5

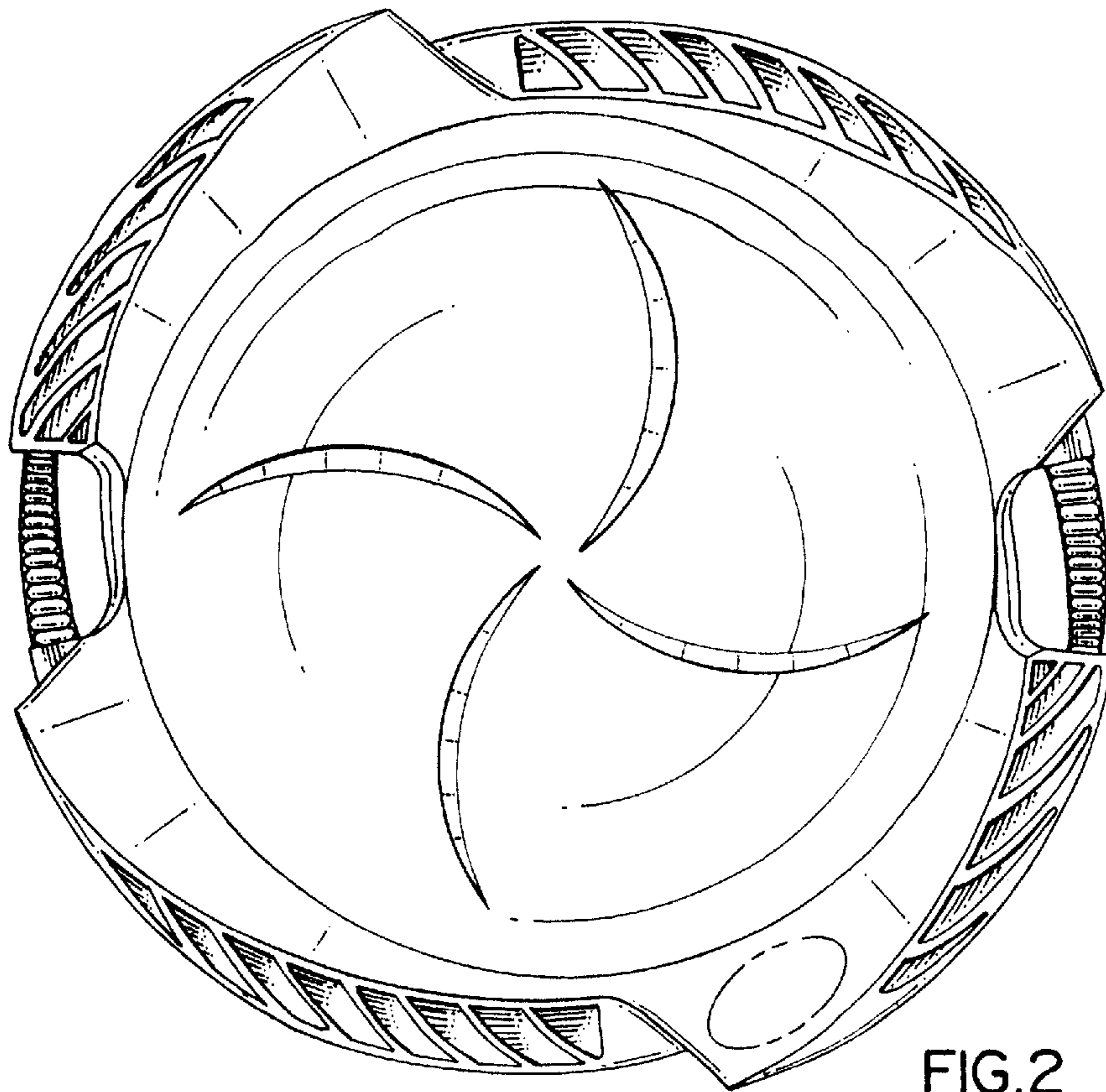


FIG. 2

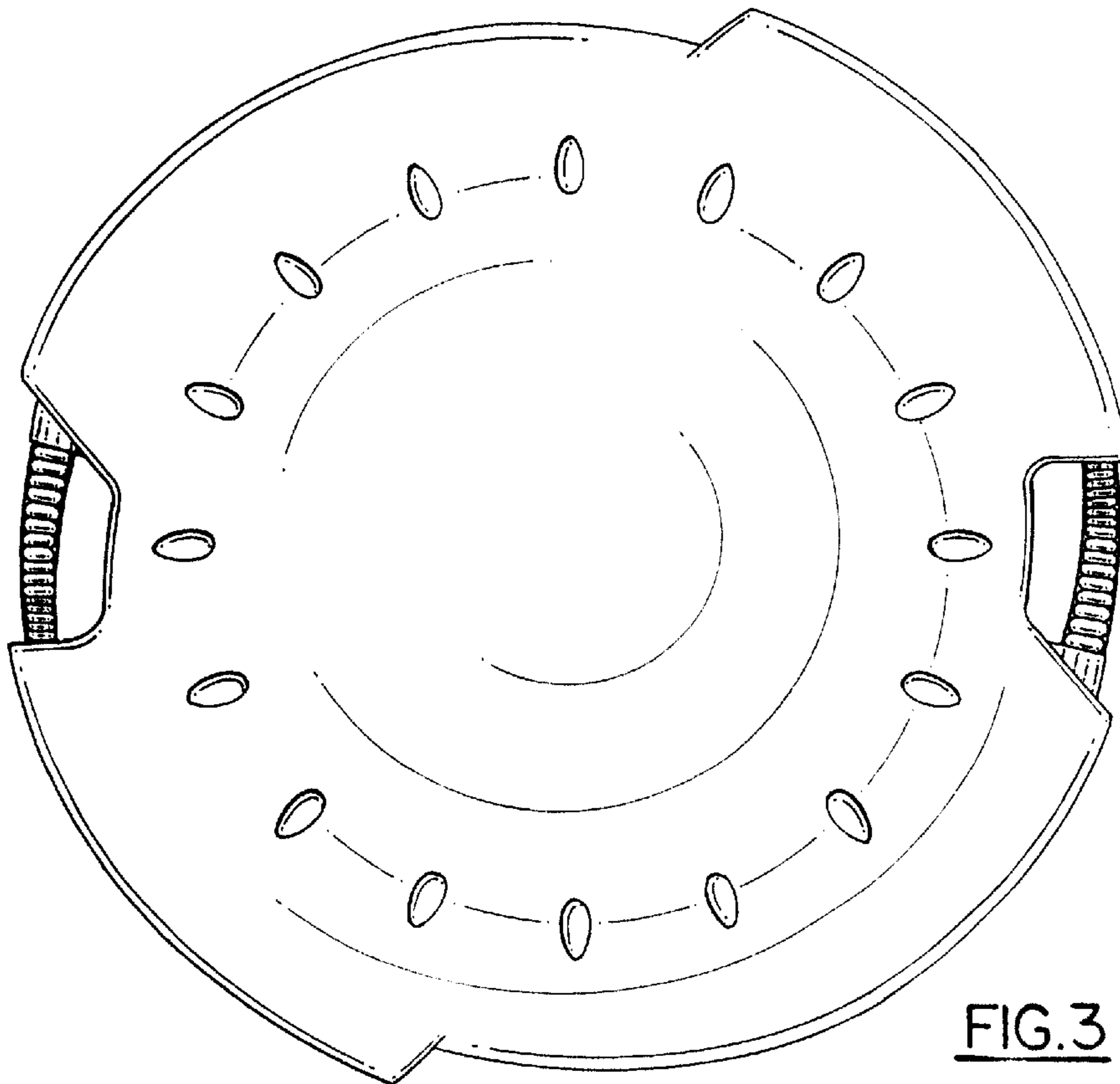


FIG. 3