



US00D447782B1

(12) **United States Design Patent**
Hettinger et al.

(10) **Patent No.: US D447,782 S**

(45) **Date of Patent: ** *Sep. 11, 2001**

(54) **MULTIPLE COMPONENT PUTTER HEAD**

(75) Inventors: **Ronald K. Hettinger**, Oceanside;
Augustin W. Rollinson, San Diego;
Joshua G. Breier, San Marcos, all of
CA (US)

(73) Assignee: **Callaway Golf Company**, Carlsbad,
CA (US)

(*) Notice: This patent is subject to a terminal dis-
claimer.

(**) Term: **14 Years**

(21) Appl. No.: **29/131,011**

(22) Filed: **Oct. 11, 2000**

(51) **LOC (7) Cl. 21-02**

(52) **U.S. Cl. D21/744**

(58) **Field of Search D21/736-746;**
473/324, 327-329, 340, 341, 251-256

(56) **References Cited**

U.S. PATENT DOCUMENTS

D. 368,126	3/1996	Magerman et al. .	
D. 373,161	8/1996	Schmidt et al. .	
D. 380,246	* 6/1997	Solheim et al.	D21/736
D. 402,343	* 12/1998	Helmstetter et al.	D21/738
D. 408,881	4/1999	Solheim et al. .	
D. 411,271	* 6/1999	Nelson	D21/738
D. 429,297	* 8/2000	Hettinger	D21/744
1,320,163	10/1919	Maurice .	
1,525,352	2/1925	Aitkin .	
1,535,270	4/1925	Tyler .	
1,543,691	6/1925	Beat .	
1,840,451	1/1932	Jansky .	
2,034,936	3/1936	Barnhart .	
2,534,947	12/1950	Bright .	
3,064,980	11/1962	Steiner .	
3,547,445	12/1970	Hardesty .	
3,567,228	3/1971	Lynn .	
3,571,900	3/1971	Hardesty .	
3,659,855	5/1972	Hardesty .	
3,937,474	2/1976	Jepson et al. .	

3,975,023	8/1976	Inamori .
3,989,248	11/1976	Campau .
4,121,832	10/1978	Ebbing .
4,252,262	2/1981	Igarashi .
4,326,716	4/1982	Lacoste .
4,422,638	12/1983	Tucker .
4,451,042	5/1984	Hayashi et al. .
4,540,178	9/1985	Johnson et al. .
4,607,846	8/1986	Perkins .
4,792,140	12/1988	Yamaguchi et al. .
4,801,146	1/1989	Honma .
4,804,188	2/1989	McKee et al. .
4,812,187	3/1989	Honma .
4,884,812	12/1989	Nagasaki et al. .
5,078,398	1/1992	Reed et al. .
5,176,383	1/1993	Duclos .
5,178,392	1/1993	Santioni .
5,198,062	3/1993	Chen .
5,277,423	1/1994	Hutinartus .
5,299,807	4/1994	Hutin .

(List continued on next page.)

FOREIGN PATENT DOCUMENTS

0891790 A2	7/1998	(EP) .
09037121	8/1998	(JP) .

Primary Examiner—Mitchell Siegel

(74) *Attorney, Agent, or Firm*—Michael A. Catania

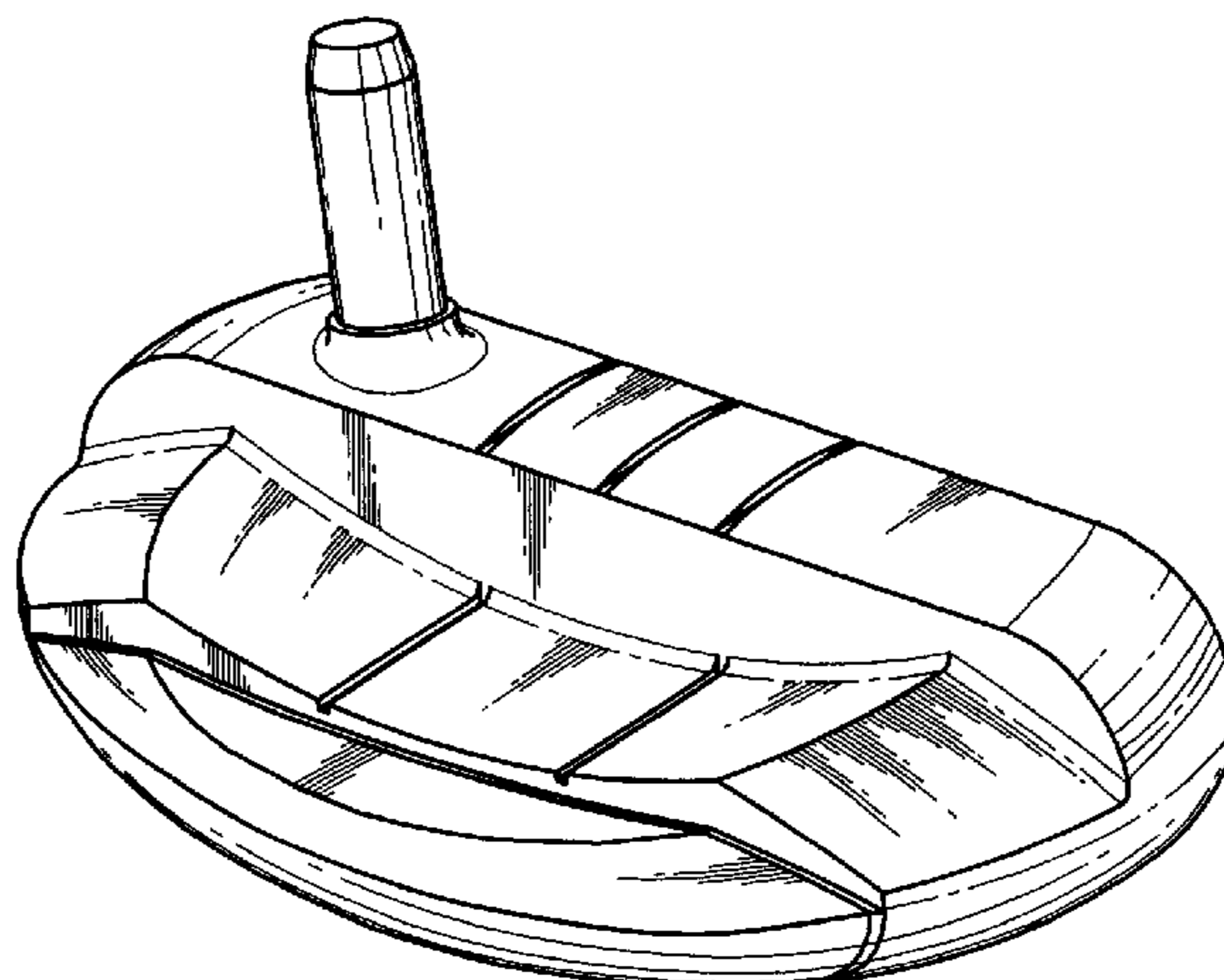
(57) **CLAIM**

The ornamental design for a multiple component putter head, as shown and described.

DESCRIPTION

FIG. 1 is a perspective view of a multiple component putter head;
FIG. 2 is a top plan front view thereof;
FIG. 3 is a front view thereof;
FIG. 4 is a rear view thereof;
FIG. 5 is a toe end view thereof; and
FIG. 6 is a heel end view thereof; and,
FIG. 7 is a bottom plan view thereof.

1 Claim, 2 Drawing Sheets



US D447,782 S

Page 2

U.S. PATENT DOCUMENTS

5,301,941	4/1994	Allen .	5,570,886	11/1996	Rigal et al. .
5,303,922	4/1994	Lo .	5,575,472	11/1996	Magerman et al. .
5,316,298	5/1994	Huntin et al. .	5,586,947	12/1996	Hutin .
5,342,812	8/1994	Niskanen et al. .	5,605,510	2/1997	Schmidt et al. .
5,346,216	9/1994	Aizawa .	5,674,132	10/1997	Fisher .
5,354,059	10/1994	Stuff .	5,690,562	11/1997	Sturm .
5,358,249	10/1994	Mendralla .	5,713,800	2/1998	Su .
5,405,136	4/1995	Hardman .	5,743,813	4/1998	Chen et al. .
5,405,137	4/1995	Vincent et al. .	5,766,093	6/1998	Rohrer .
5,417,419	5/1995	Anderson et al. .	5,766,094	6/1998	Mahaffey et al. .
5,439,223	8/1995	Kobayashi .	5,776,010	7/1998	Helmstetter et al. .
5,447,311	9/1995	Viollaz et al. .	5,816,936	10/1998	Aizawa et al. .
5,458,332	10/1995	Fisher .	5,842,935	12/1998	Nelson .
5,460,377	10/1995	Schmidt et al. .	5,921,871	7/1999	Fisher .
5,464,212	11/1995	Cook .	5,924,939	7/1999	Grace et al. .
5,485,997	1/1996	Schmidt et al. .	5,931,743	8/1999	Baker et al. .
5,524,331	6/1996	Pond .	5,944,619	8/1999	Cameron .
5,542,675	8/1996	Micciche et al. .	5,951,412	9/1999	Rose et al. .

* cited by examiner

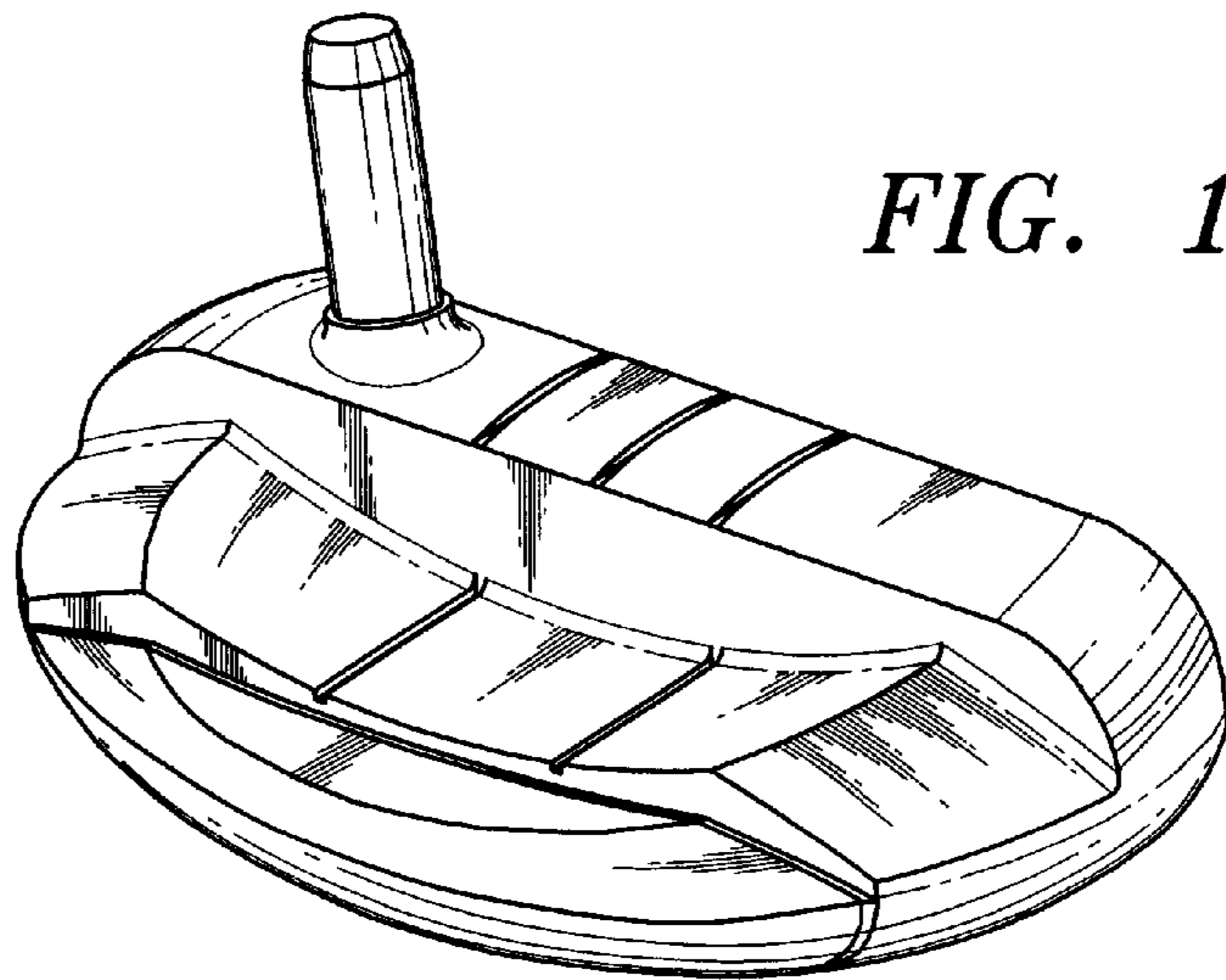


FIG. 1

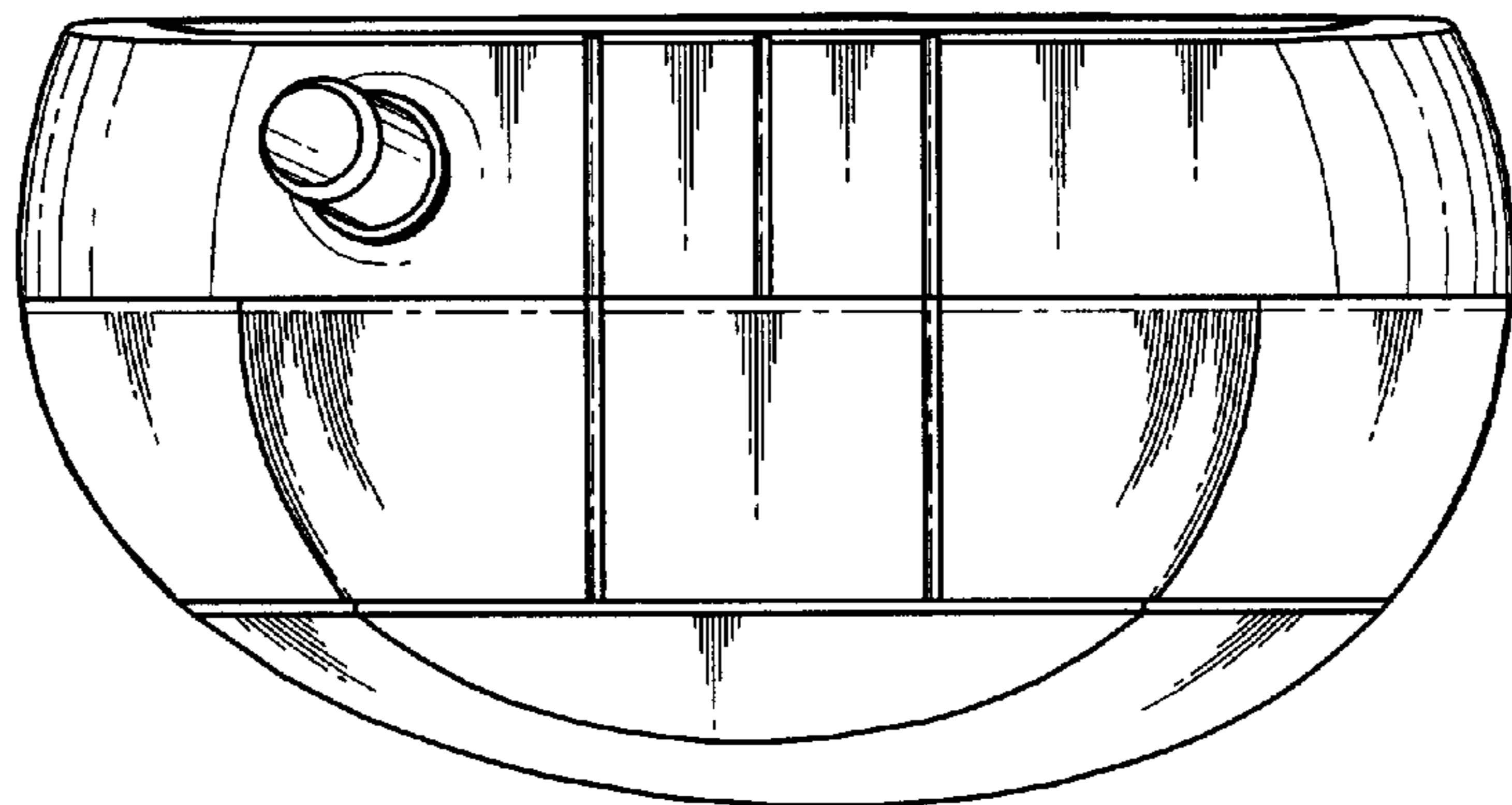


FIG. 2

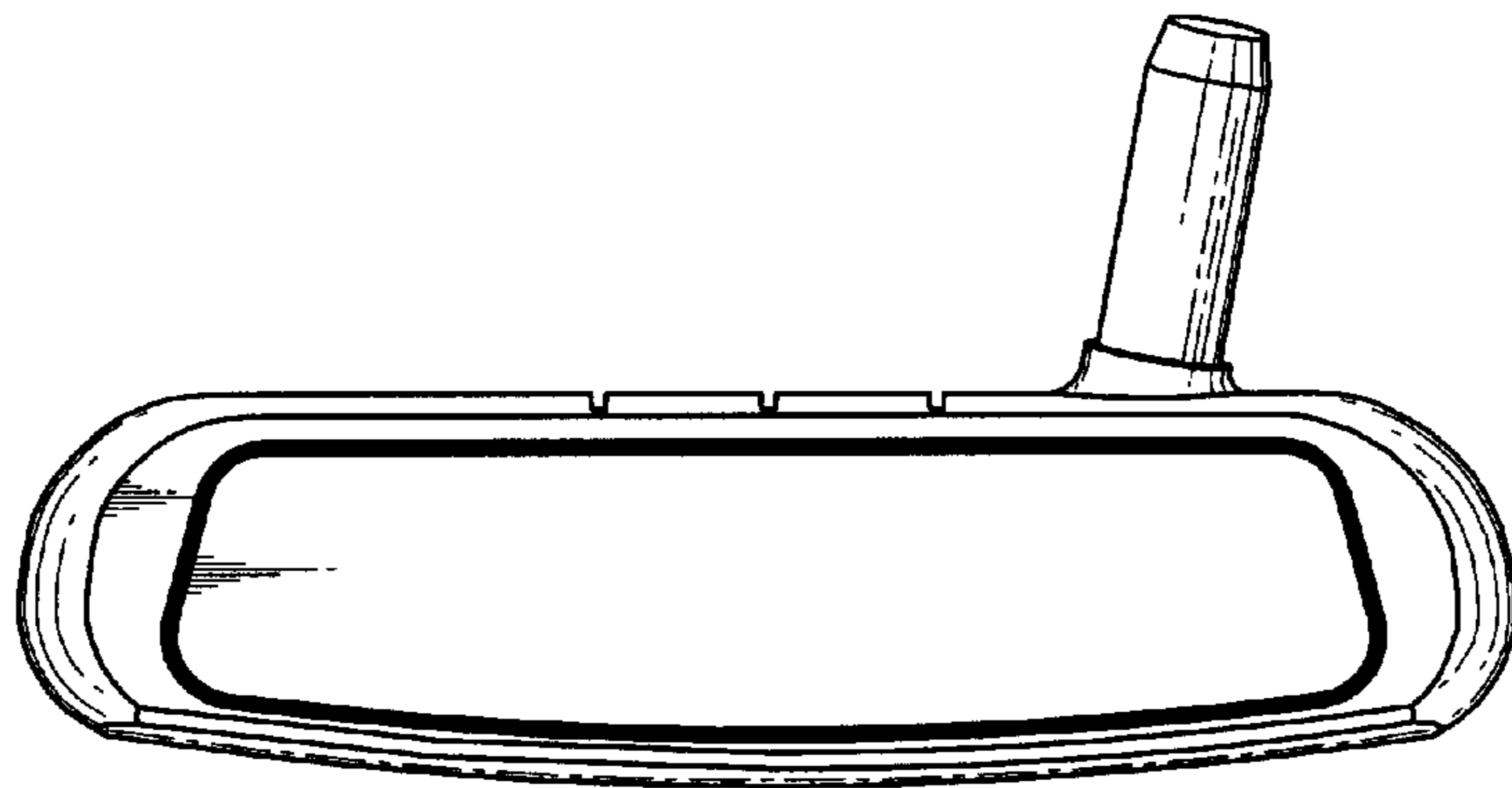


FIG. 3

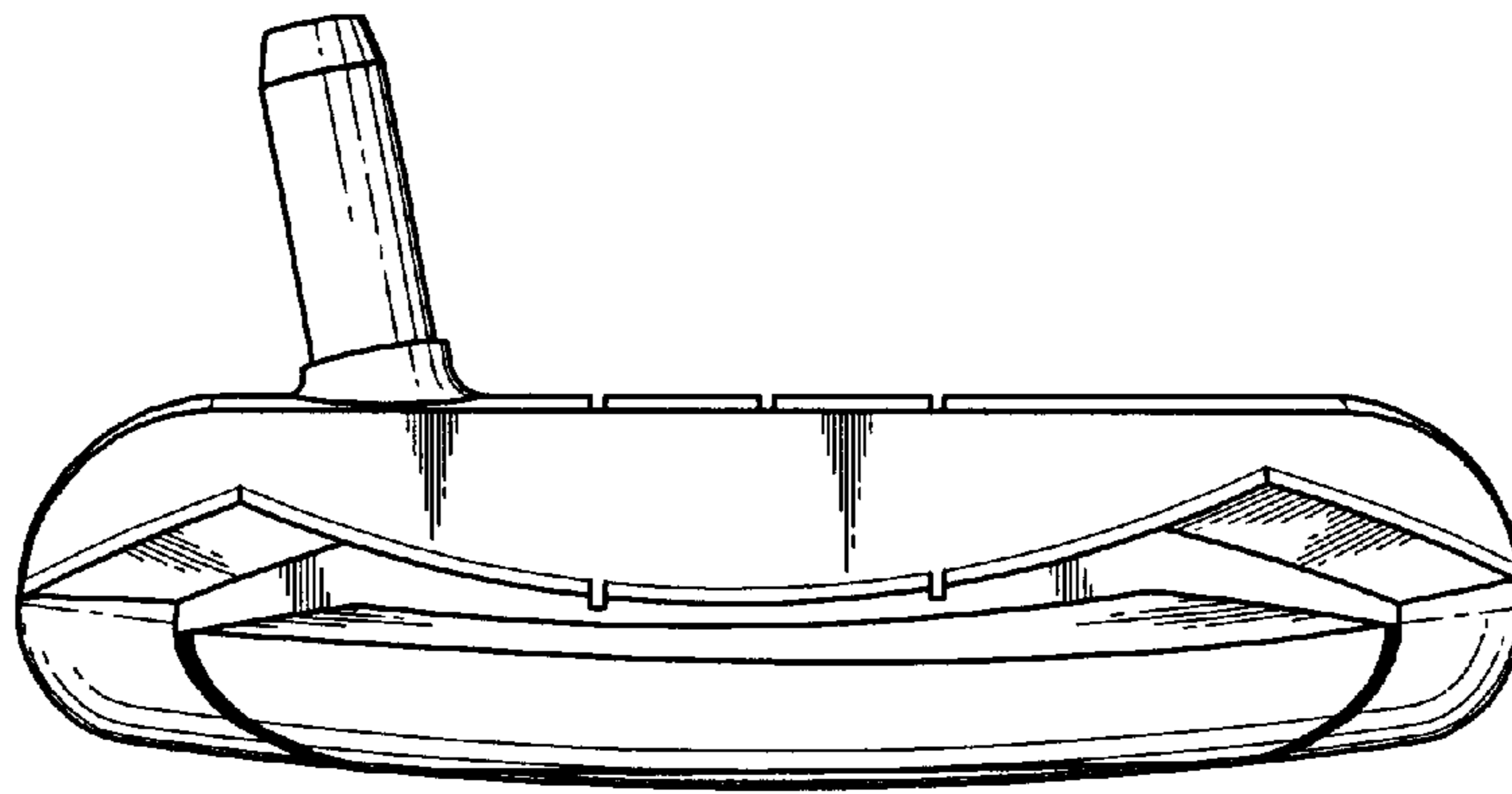


FIG. 4

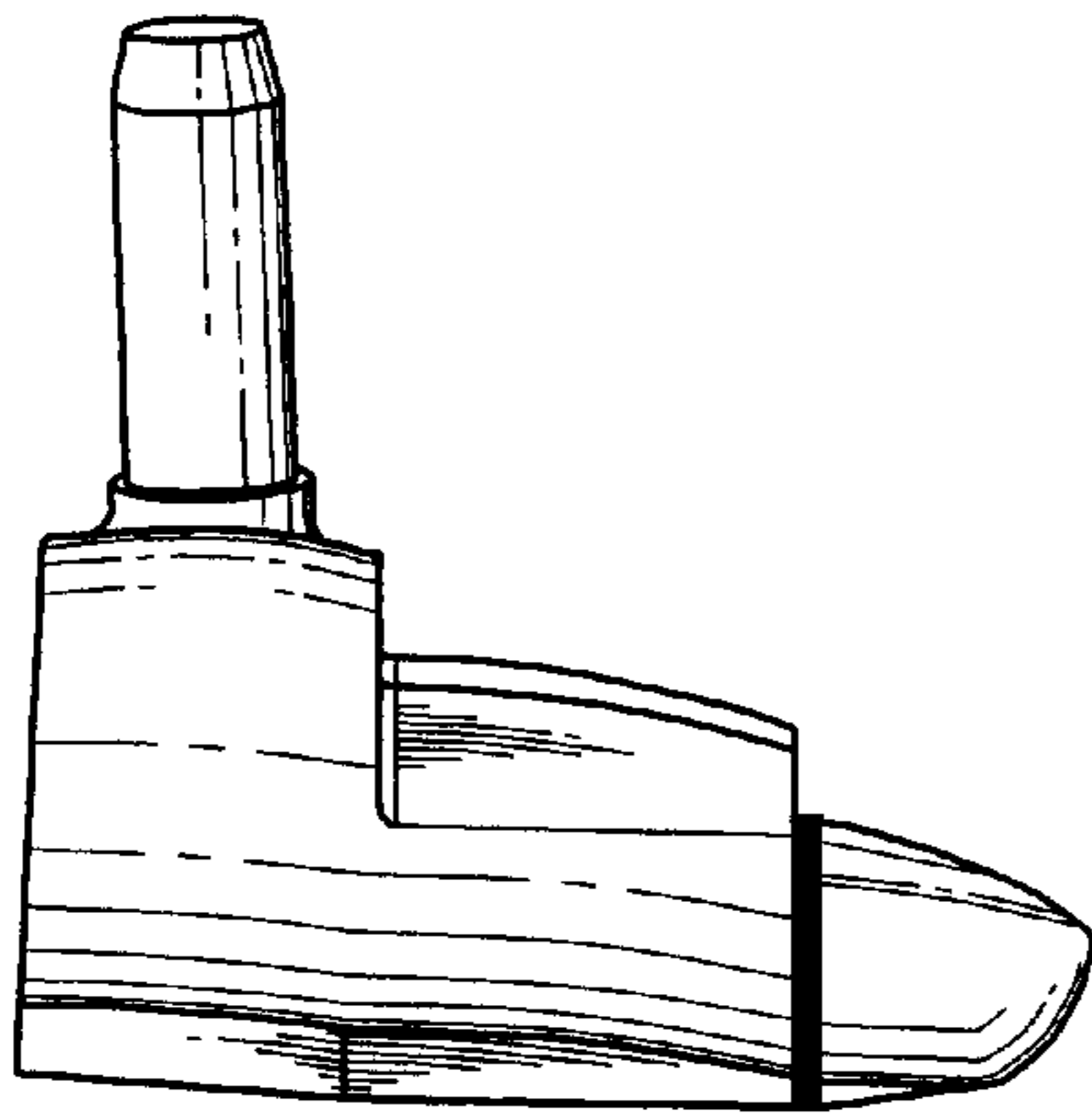


FIG. 5

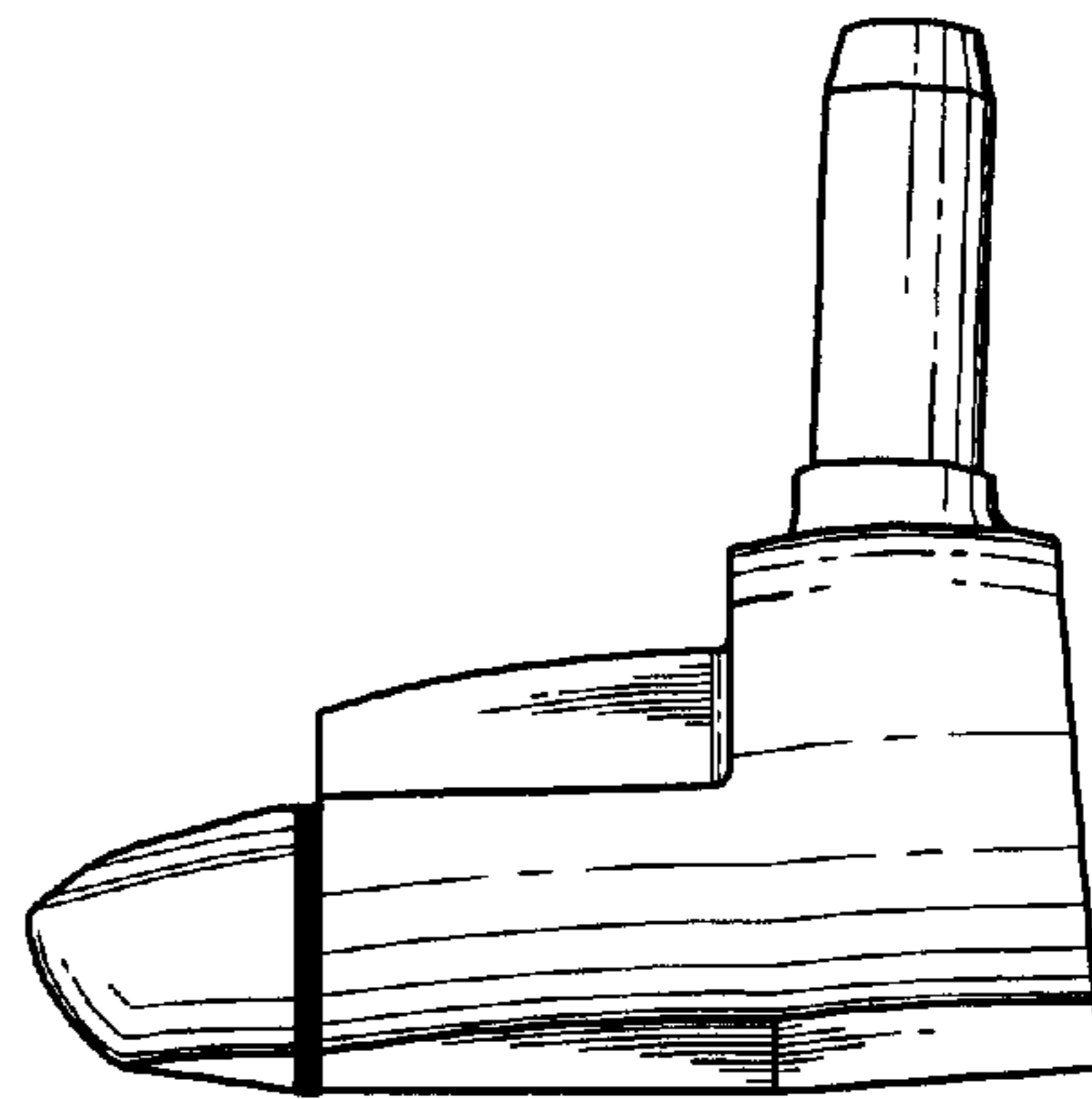


FIG. 6

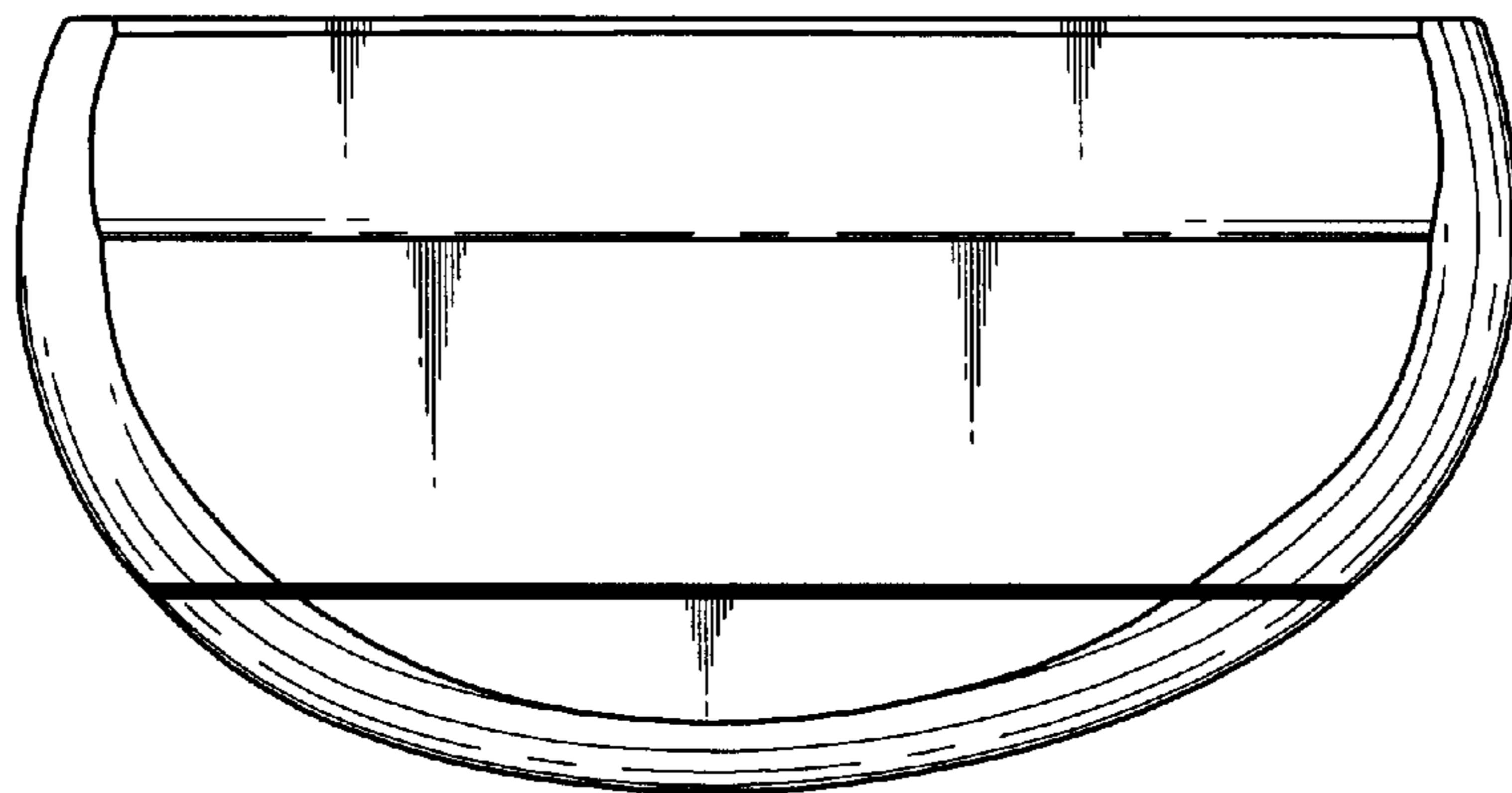


FIG. 7