



US00D447780B1

(12) **United States Design Patent**
Arnold et al.

(10) **Patent No.:** **US D447,780 S**

(45) **Date of Patent:** **** Sep. 11, 2001**

(54) **EXERCISE TREADMILL**

(75) Inventors: **Peter J. Arnold**, Seattle; **Mark Williams**, Bothell; **David Crist**, Seattle; **Curtis Cobb**, *deceased*, late of Puyallup, all of WA (US), by Ava Cobb, legal representative

(73) Assignee: **Precor Incorporated**, Bothell, WA (US)

(**) Term: **14 Years**

(21) Appl. No.: **29/102,098**

(22) Filed: **Mar. 17, 1999**

(51) **LOC (7) Cl.** **21-02**

(52) **U.S. Cl.** **D21/669**

(58) **Field of Search** D21/662, 663, D21/664, 668, 669, 670; 482/51, 52, 54

(56) **References Cited**

U.S. PATENT DOCUMENTS

D. 280,002	*	8/1985	Smith	D21/669
D. 289,312	*	4/1987	Trulaske et al.	D21/669
D. 289,667	*	5/1987	Danchulis	D21/669
D. 302,837		8/1989	Sherrard	D21/669
D. 313,826	*	1/1991	Birrell et al.	D21/669
D. 315,765	*	3/1991	Measom et al.	D21/669
D. 321,734	*	11/1991	Dunham et al.	D21/669
D. 333,330	*	2/1993	Clem	D21/669

D. 361,807	*	8/1995	Bartlett	D21/669
D. 392,351		3/1998	Coody et al.	D21/669
D. 393,297		4/1998	McBride et al.	D21/669
D. 403,034	*	12/1998	Moon et al.	D21/669
5,591,106		1/1997	Dalebout et al.	482/54
5,674,453		10/1997	Watterson et al.	482/54

OTHER PUBLICATIONS

Precor USA brochure: "9.25/9.45 Cardiologic Treadmill" (1995).

* cited by examiner

Primary Examiner—Philip S. Hyder

(74) *Attorney, Agent, or Firm*—Christensen O'Connor Johnson & Kindness PLLC

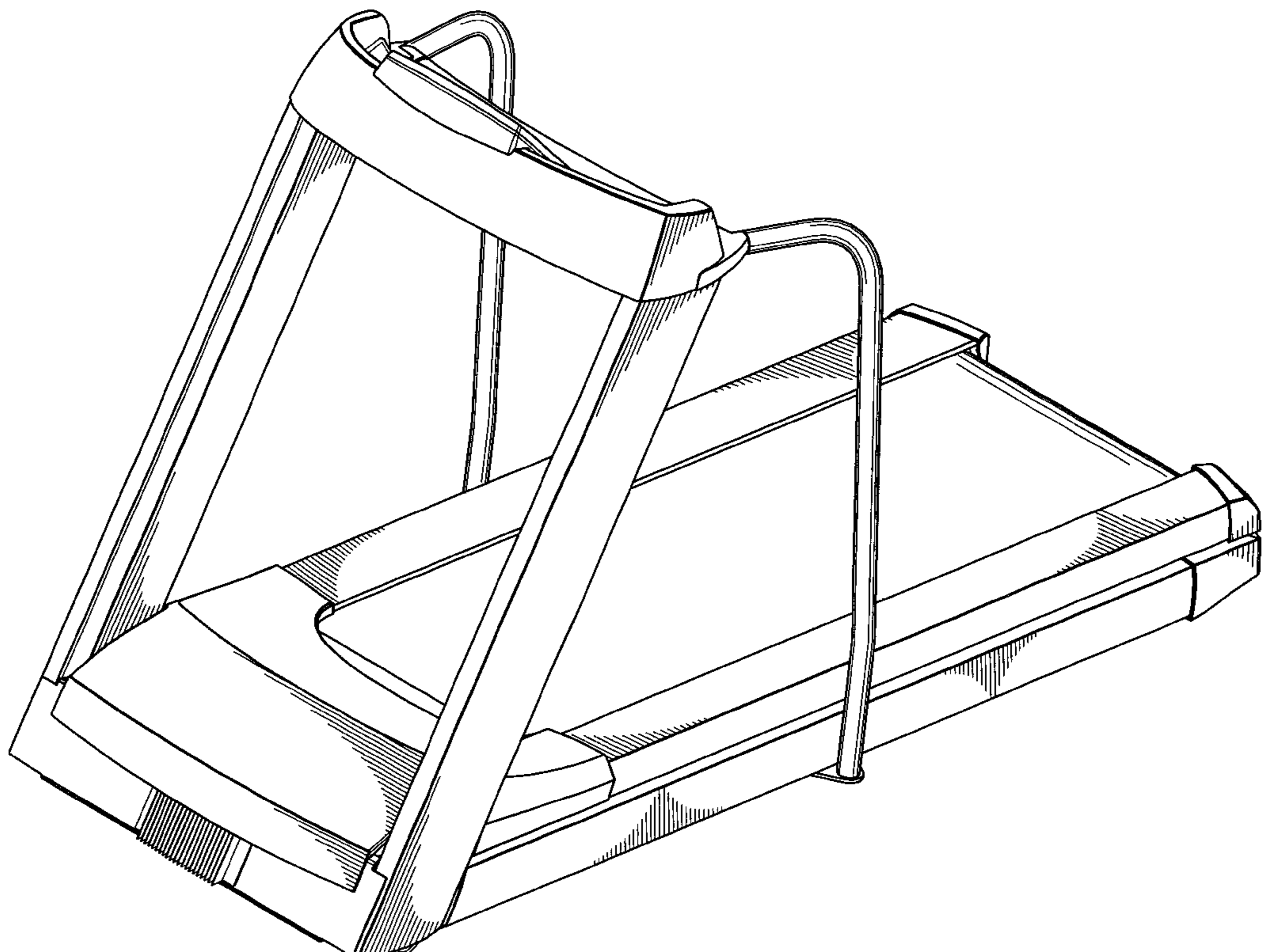
(57) **CLAIM**

The ornamental design for an exercise treadmill, as shown and described.

DESCRIPTION

FIG. 1 is a front isometric view of the subject design; FIG. 2 is a side view of the subject design with the opposite side being a mirror image thereof; FIG. 3 is a top view of the subject design; FIG. 4 is a bottom view of the subject design; FIG. 5 is a front view of the subject design; and, FIG. 6 is a rear view of the subject design.

1 Claim, 6 Drawing Sheets



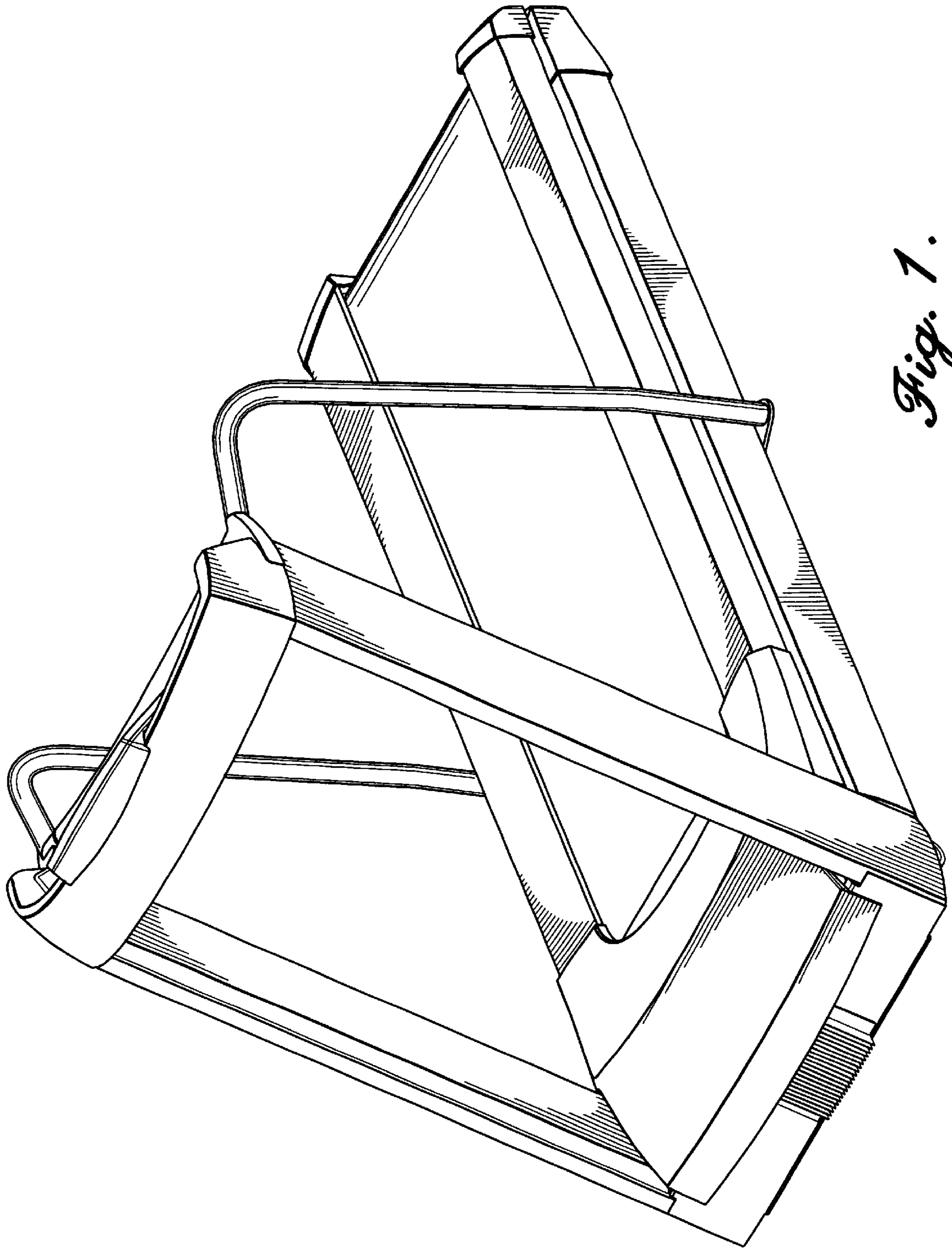


Fig. 1.

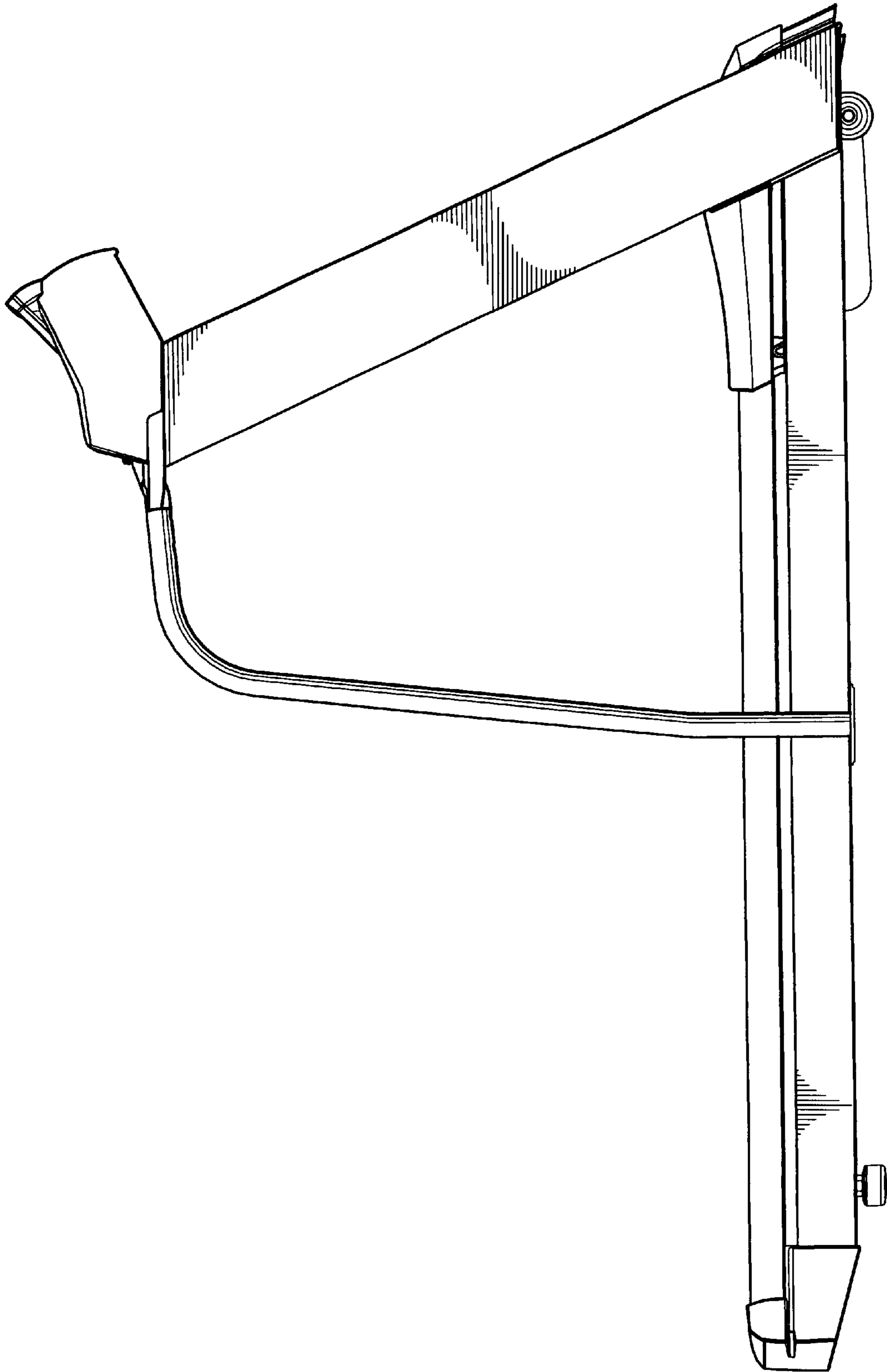


Fig. 2.

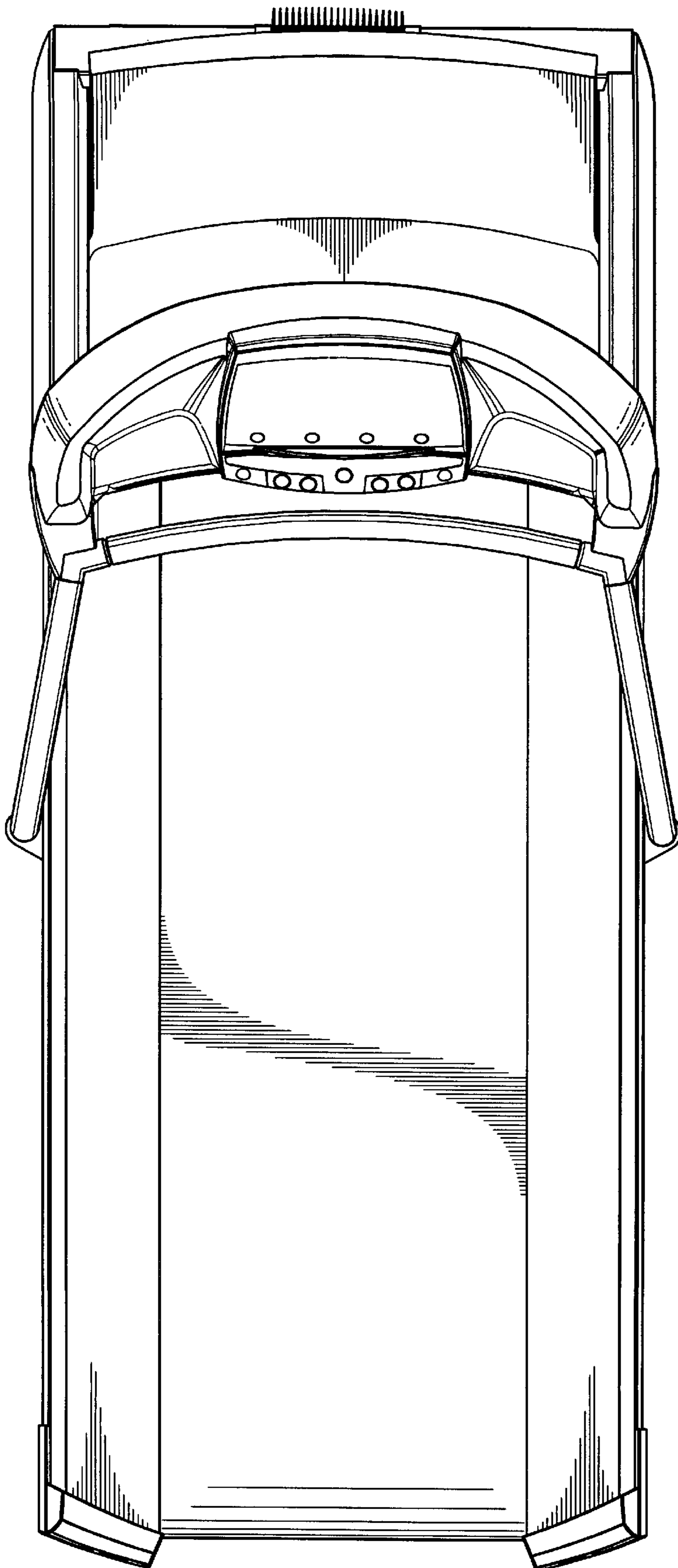


Fig. 3.

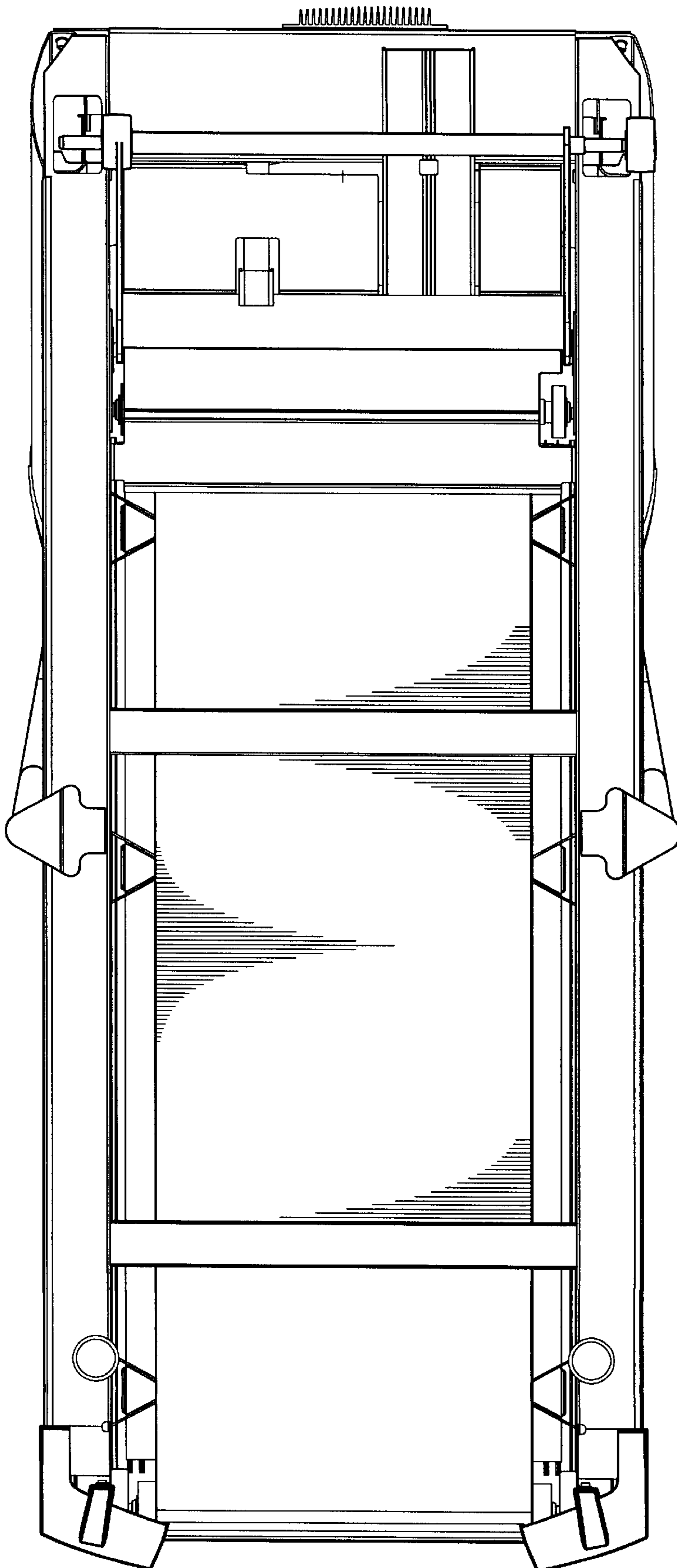


Fig. 4.

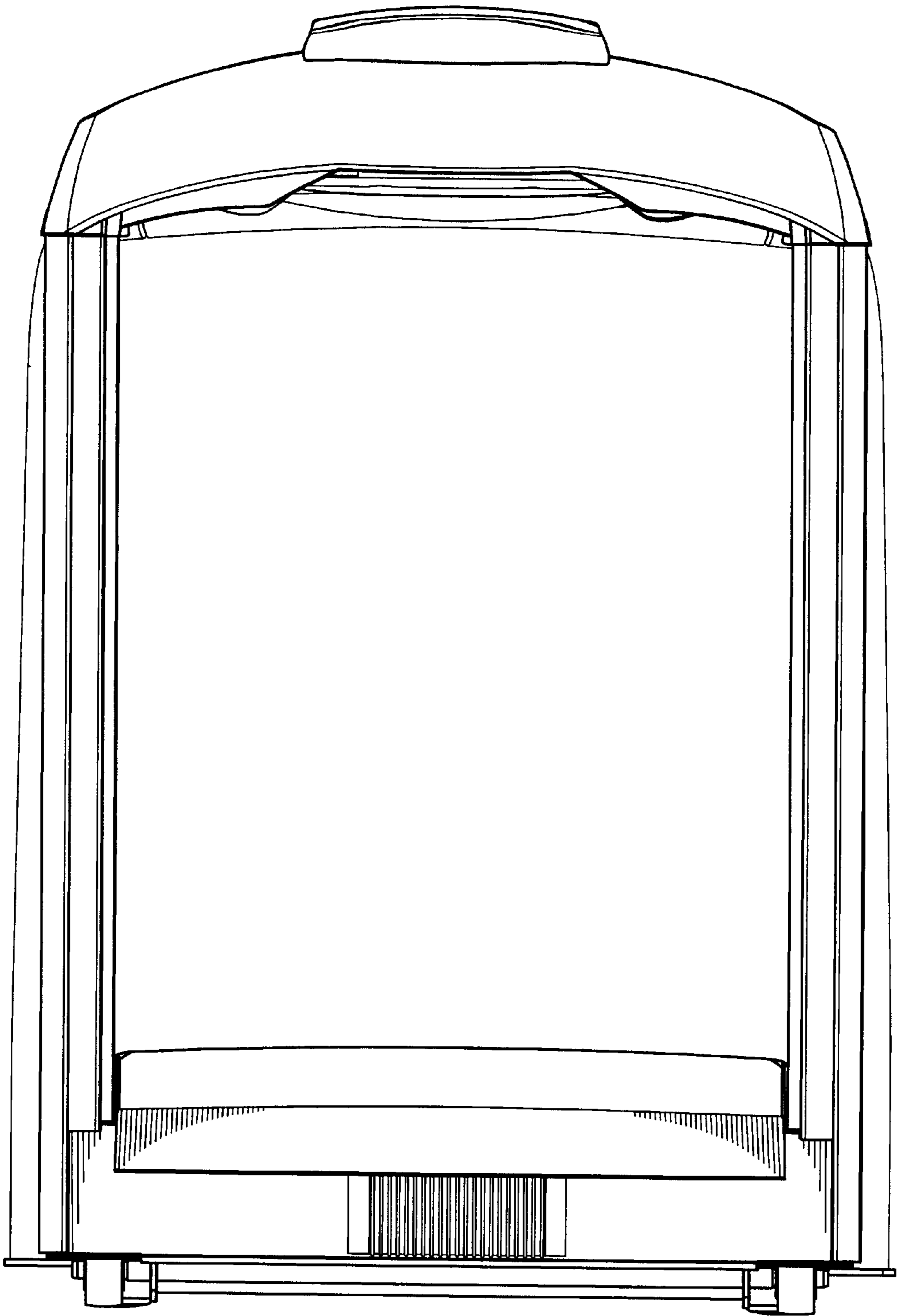


Fig. 5.

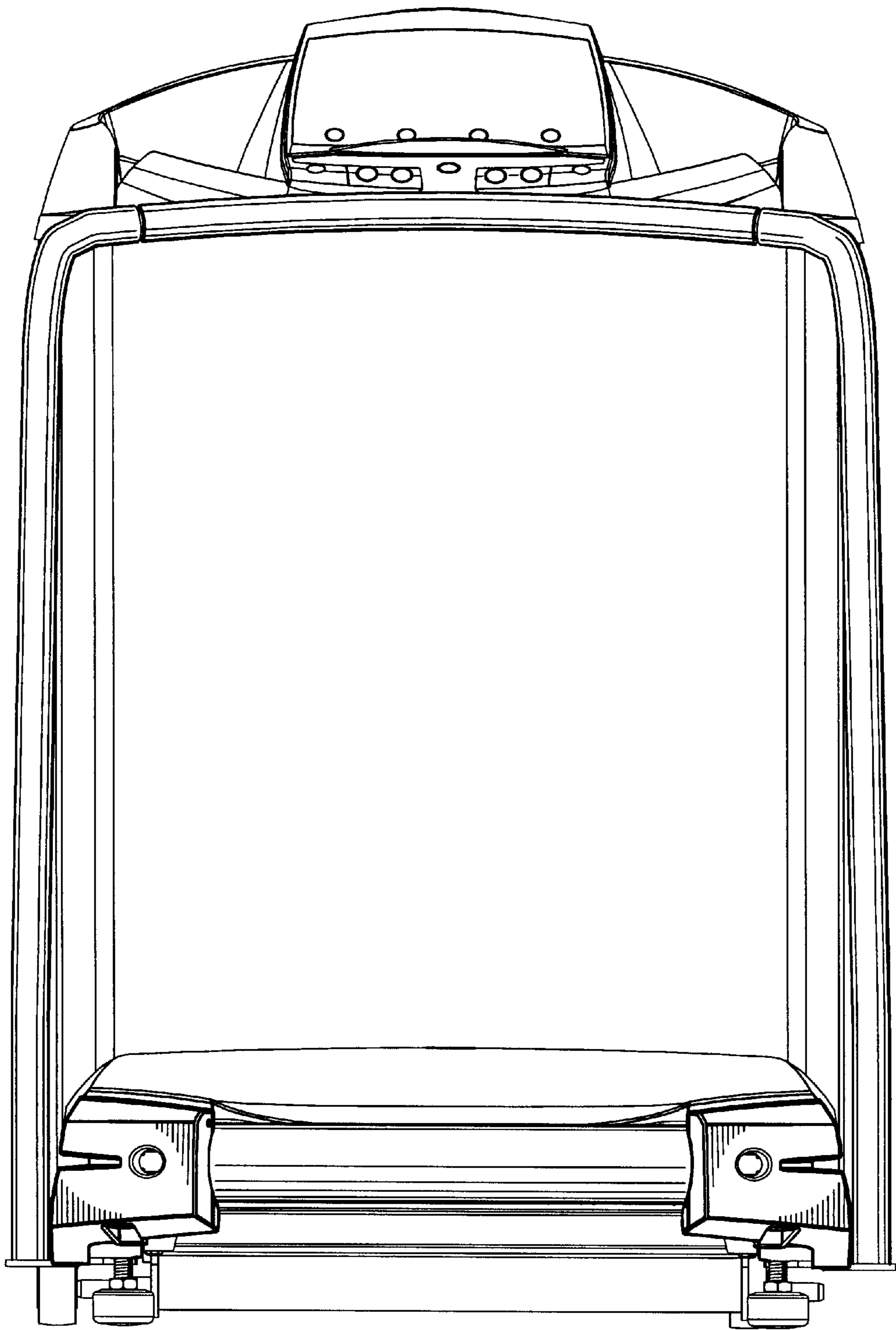


Fig. 6.