



US00D44777B1

(12) **United States Design Patent**
Schick

(10) **Patent No.:** **US D447,777 S**

(45) **Date of Patent:** **** Sep. 11, 2001**

(54) **JAR**

D. 416,491 * 11/1999 Gobe D9/558

(75) Inventor: **Gilbert Schick**, Monte Carlo (MC)

* cited by examiner

(73) Assignee: **Predige SA** (CH)

Primary Examiner—Mitchell Siegel

(**) Term: **14 Years**

(74) *Attorney, Agent, or Firm*—Kathleen A. Skinner

(21) Appl. No.: **29/133,389**

(57) **CLAIM**

(22) Filed: **Nov. 29, 2000**

The ornamental design for a jar, as shown and described.

Related U.S. Application Data

DESCRIPTION

(62) Division of application No. 29/117,043, filed on Jan. 13, 2000, now Pat. No. Des. 437,234.

FIG. 1 is a perspective view of a jar in accordance with my new design.

(51) **LOC (7) Cl.** **09-01**

FIG. 2 is a front elevational view of the design of FIG. 1.

(52) **U.S. Cl.** **D21/558**

FIG. 3 is a right side elevational view of the design of FIG. 1, the left side elevational view being a mirror image thereof.

(58) **Field of Search** D9/500–505, 545, D9/300, 551, 548, 558, 504, 529, 539, 552, 538, 540; 215/382–384

FIG. 4 is a rear elevational view of the design of FIG. 1.

(56) **References Cited**

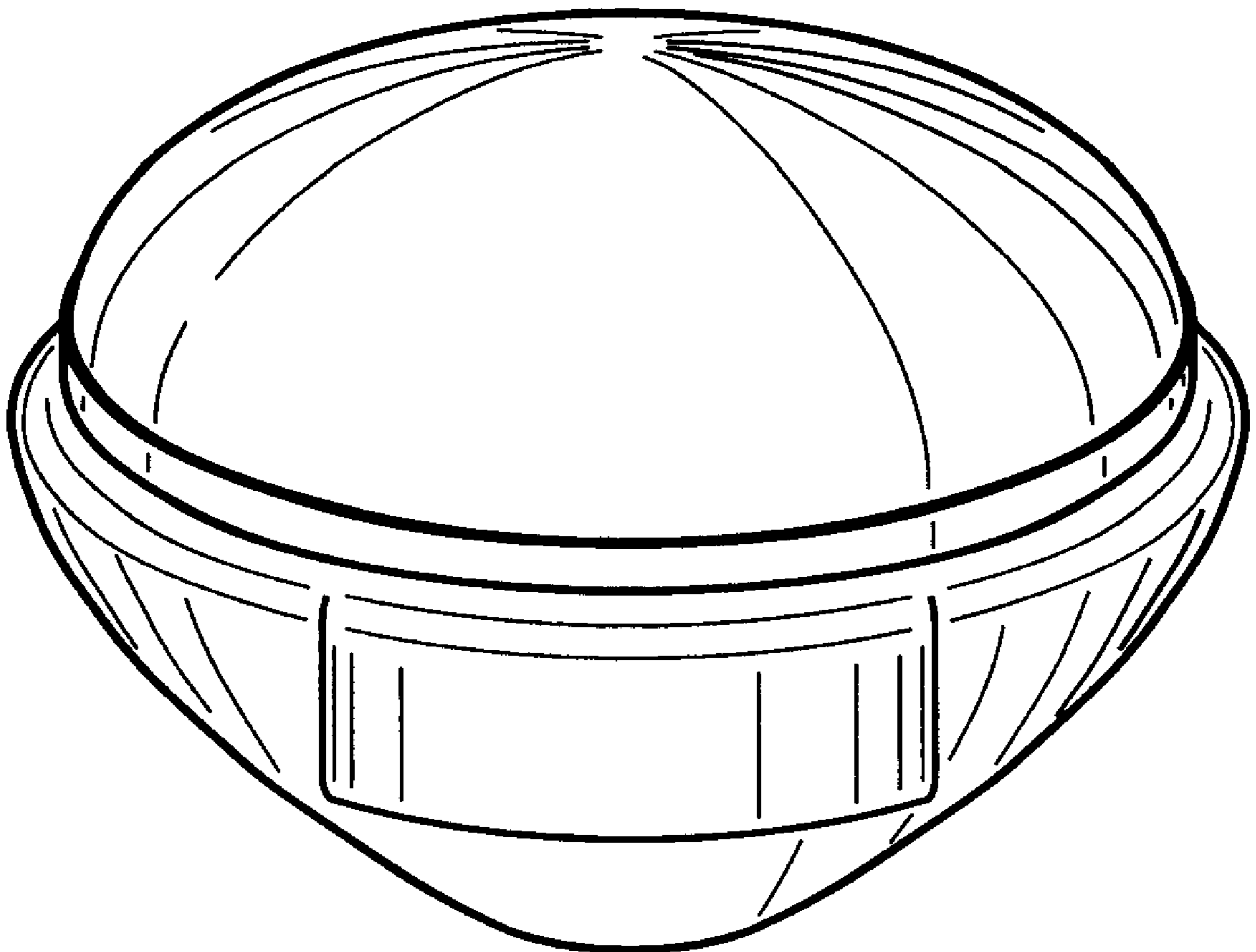
FIG. 5 is a top plan view of the design of FIG. 1; and,

FIG. 6 is a bottom plan view of the design of FIG. 1.

U.S. PATENT DOCUMENTS

D. 408,293 * 4/1999 Bakic D9/558

1 Claim, 1 Drawing Sheet



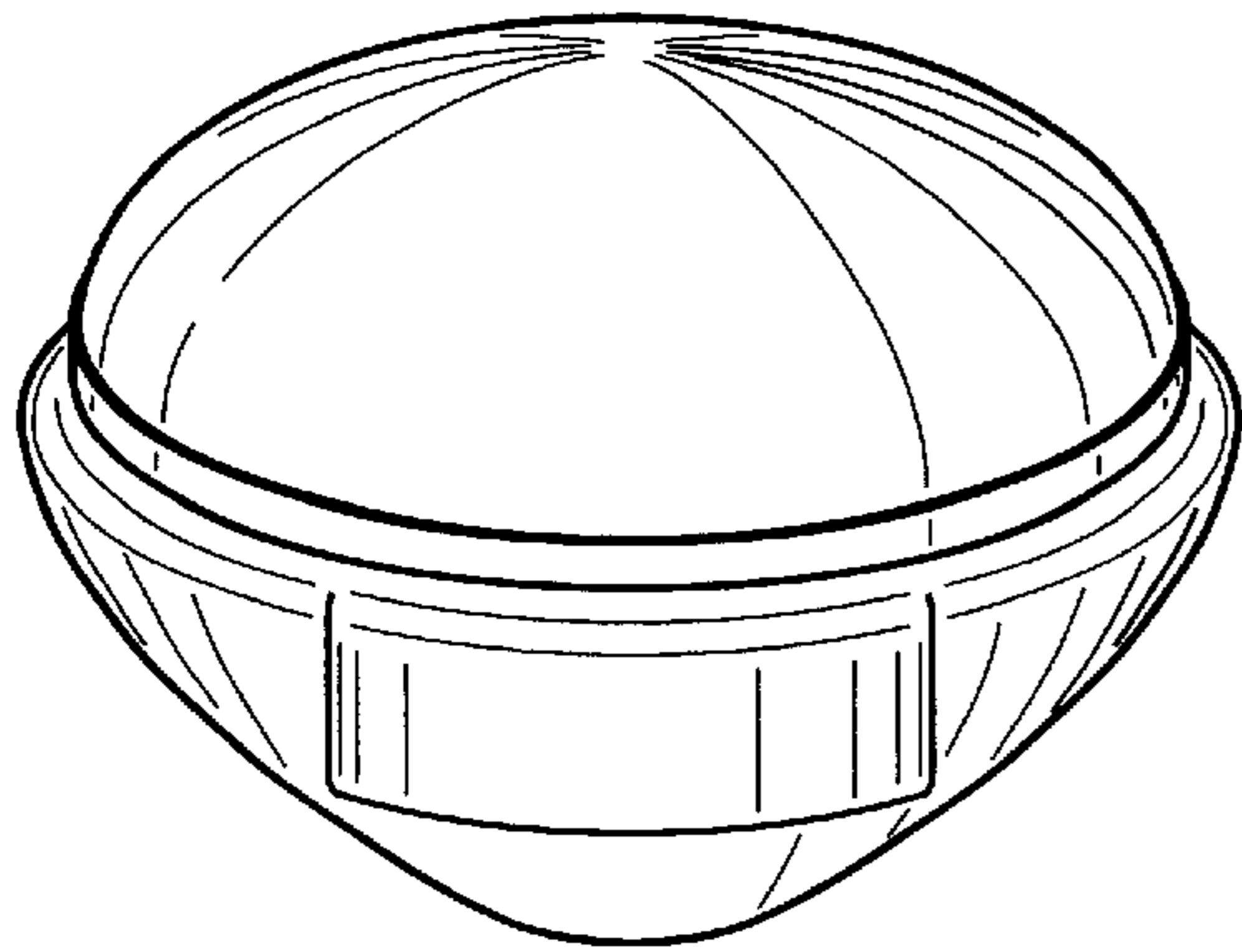


FIG._1

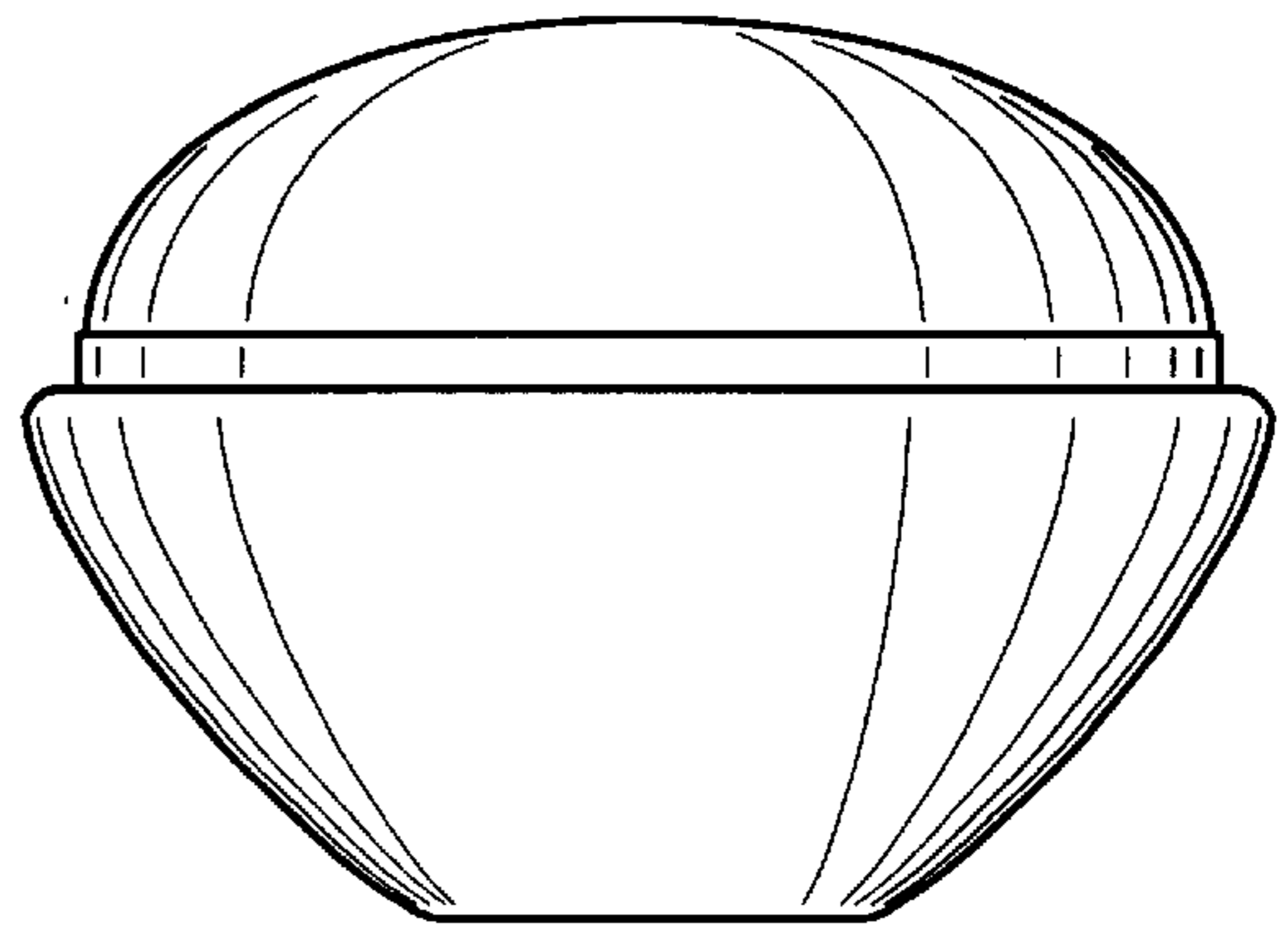


FIG._4

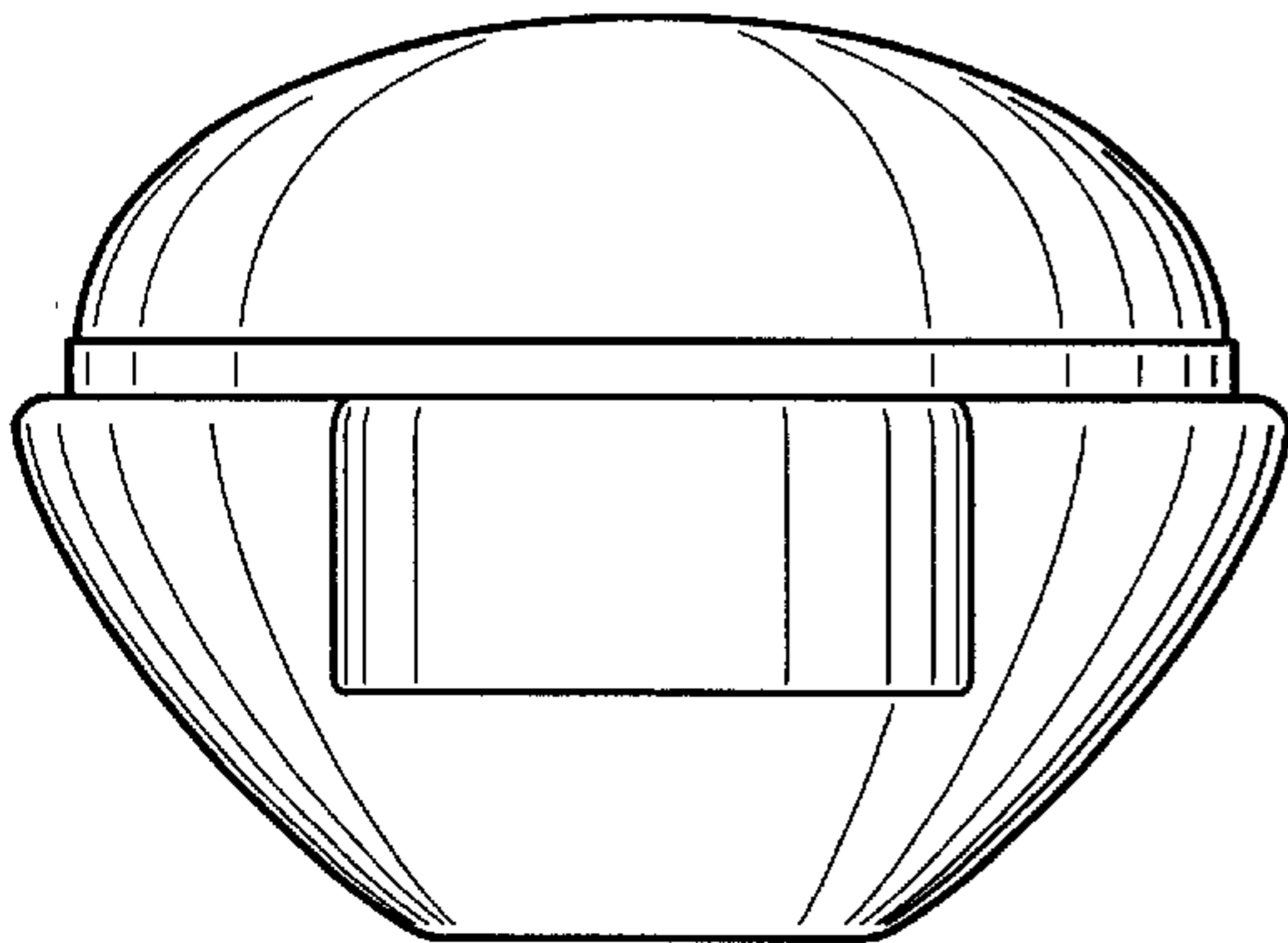


FIG._2

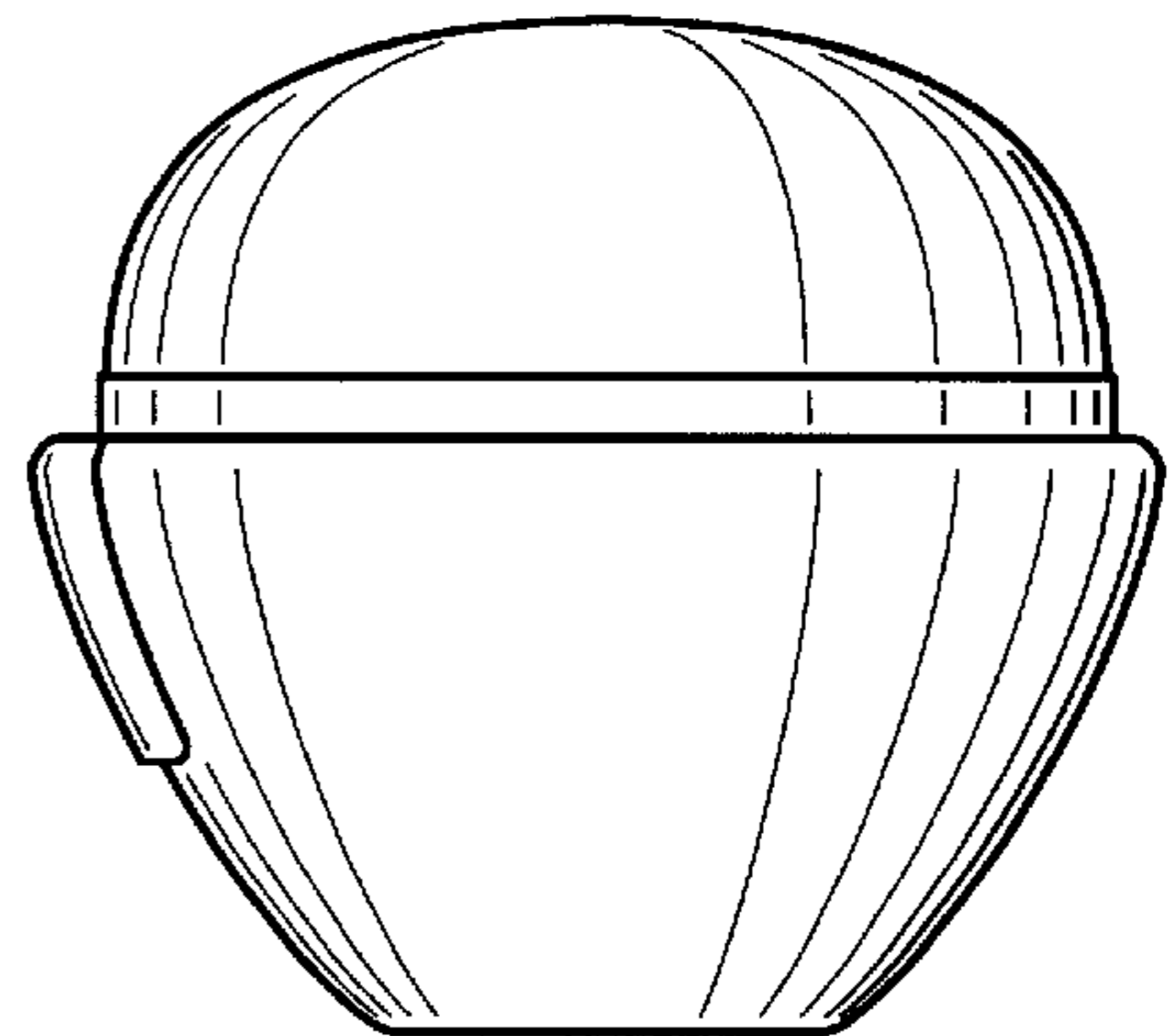


FIG._3

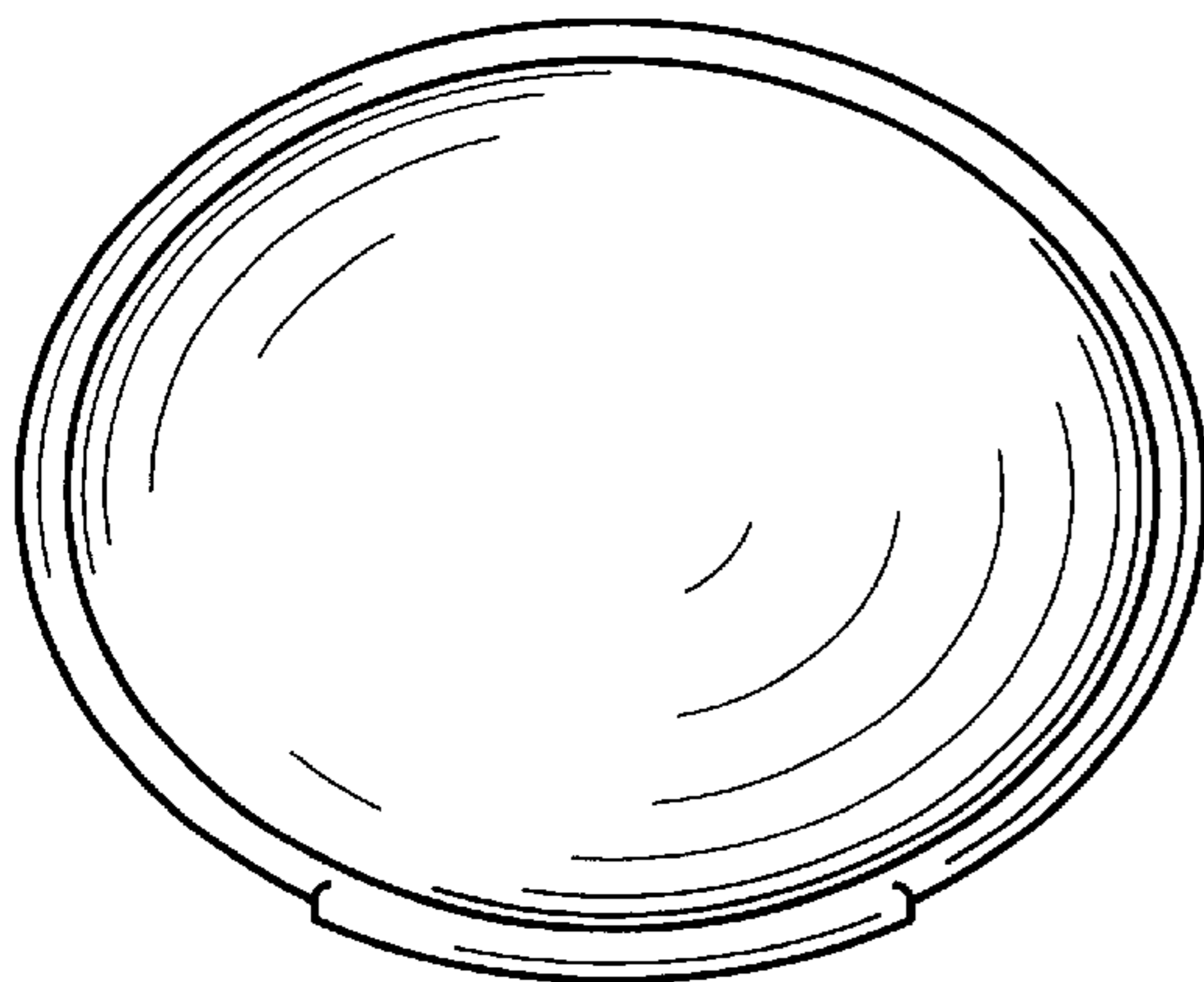


FIG._5

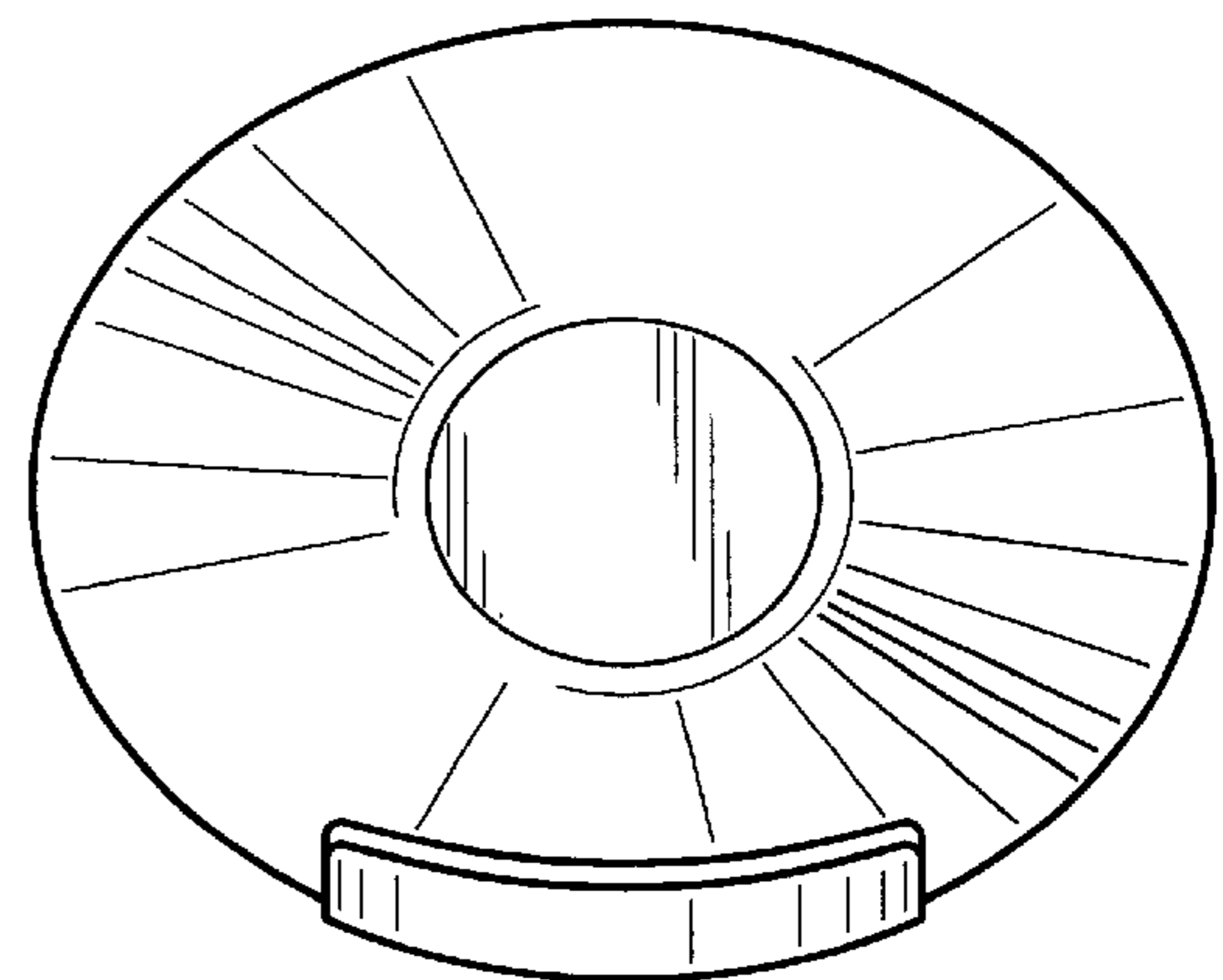


FIG._6