



US00D447776B1

(12) **United States Design Patent**  
**Mirando et al.**

(10) **Patent No.:** **US D447,776 S**

(45) **Date of Patent:** **\*\* Sep. 11, 2001**

(54) **ARCADE GAME**

(75) **Inventors:** **Sal Mirando, Holmdel; Lenny Dean, Middletown, both of NJ (US)**

(73) **Assignee:** **CEC Entertainment, Inc., Irving, TX (US)**

(\*\*) **Term:** **14 Years**

(21) **Appl. No.:** **29/105,056**

(22) **Filed:** **May 17, 1999**

(51) **LOC (7) Cl.** ..... **21-01**

(52) **U.S. Cl.** ..... **D21/326**

(58) **Field of Search** ..... D21/324-328,  
D21/333, 329; 273/148 B, 440, 440.1; 463/1-5,  
46, 47, 49-52

(56) **References Cited**

**U.S. PATENT DOCUMENTS**

D. 384,705	*	10/1997	Muraki et al.	.....	D21/326
D. 410,255	*	3/1999	Otomi et al.	.....	D21/325
2,442,240	*	5/1948	Hooker et al.	.....	463/52
2,668,230	*	2/1954	Hooker et al.	.....	463/52 X

4,397,509 \* 8/1983 Miller et al. .... 273/148 B X

4,657,257 \* 4/1987 Lubeck ..... 463/47

5,584,763 \* 12/1996 Kelly et al. .... 463/16

5,857,986 \* 1/1999 Moriyasu ..... 273/148 B X

\* cited by examiner

*Primary Examiner*—Prabhakar Deshmukh

(74) *Attorney, Agent, or Firm*—John G. Flaim; Brian C. McCormack; Baker & McKenzie

(57) **CLAIM**

We claim the ornamental design for the arcade game, as shown and described.

**DESCRIPTION**

FIG. 1 is a perspective view of a arcade game showing our new design;

FIG. 2 is a front elevational view thereof;

FIG. 3 is a left side elevational view thereof;

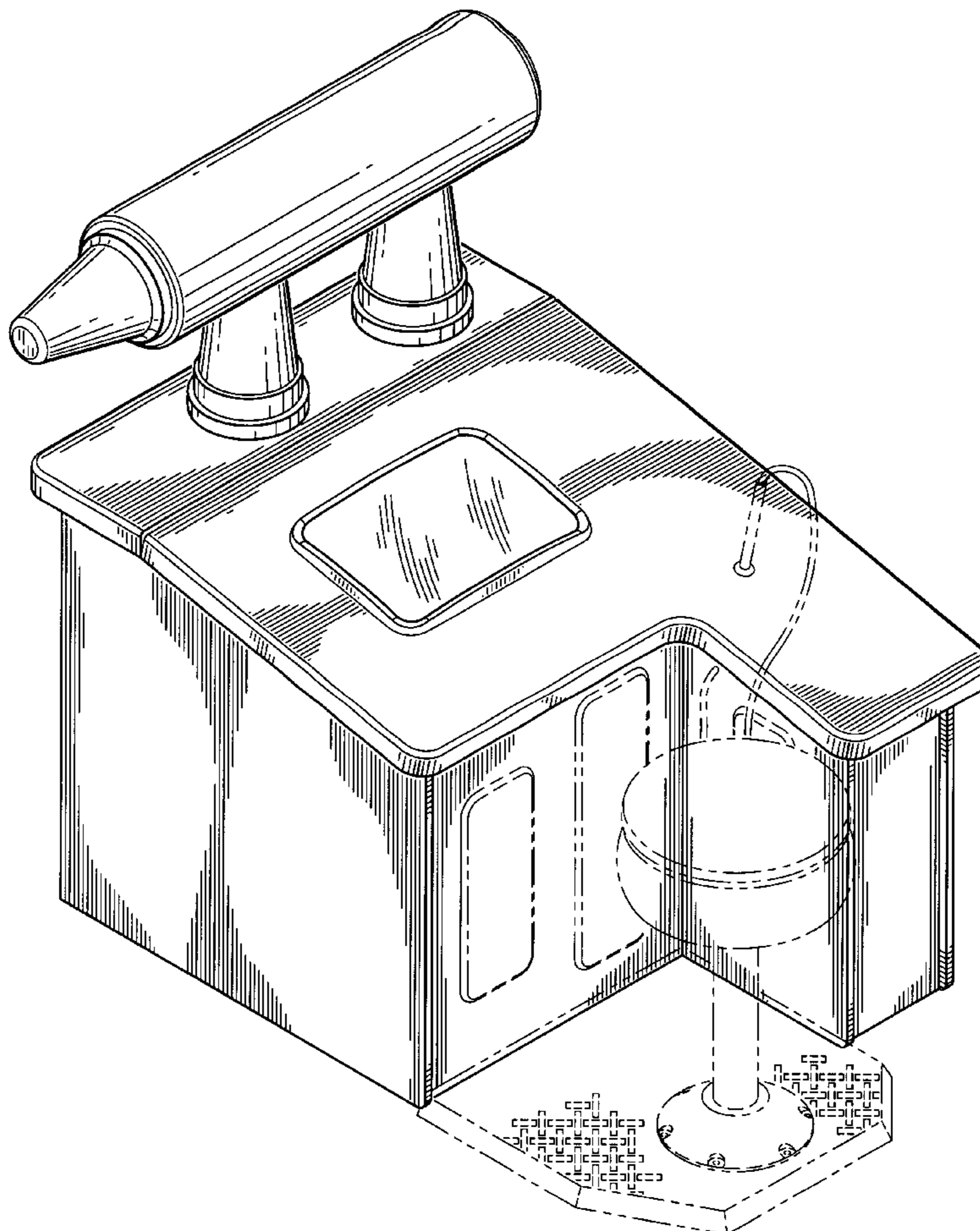
FIG. 4 is a rear elevational view thereof;

FIG. 5 is a right side elevational view thereof; and,

FIG. 6 is a top plan view thereof.

The broken lines are for illustrative purpose only and forms no part of the claimed design.

**1 Claim, 6 Drawing Sheets**



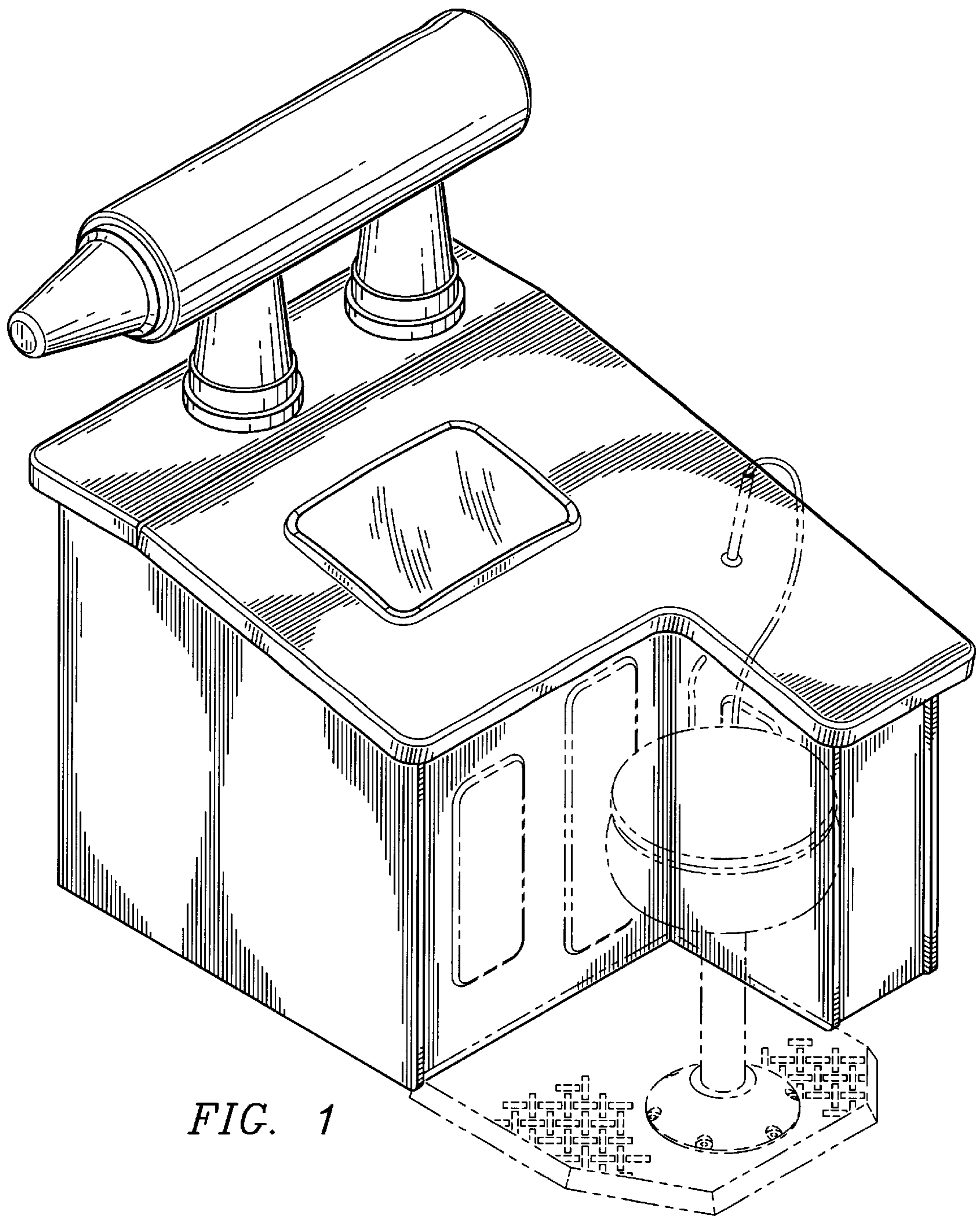


FIG. 1

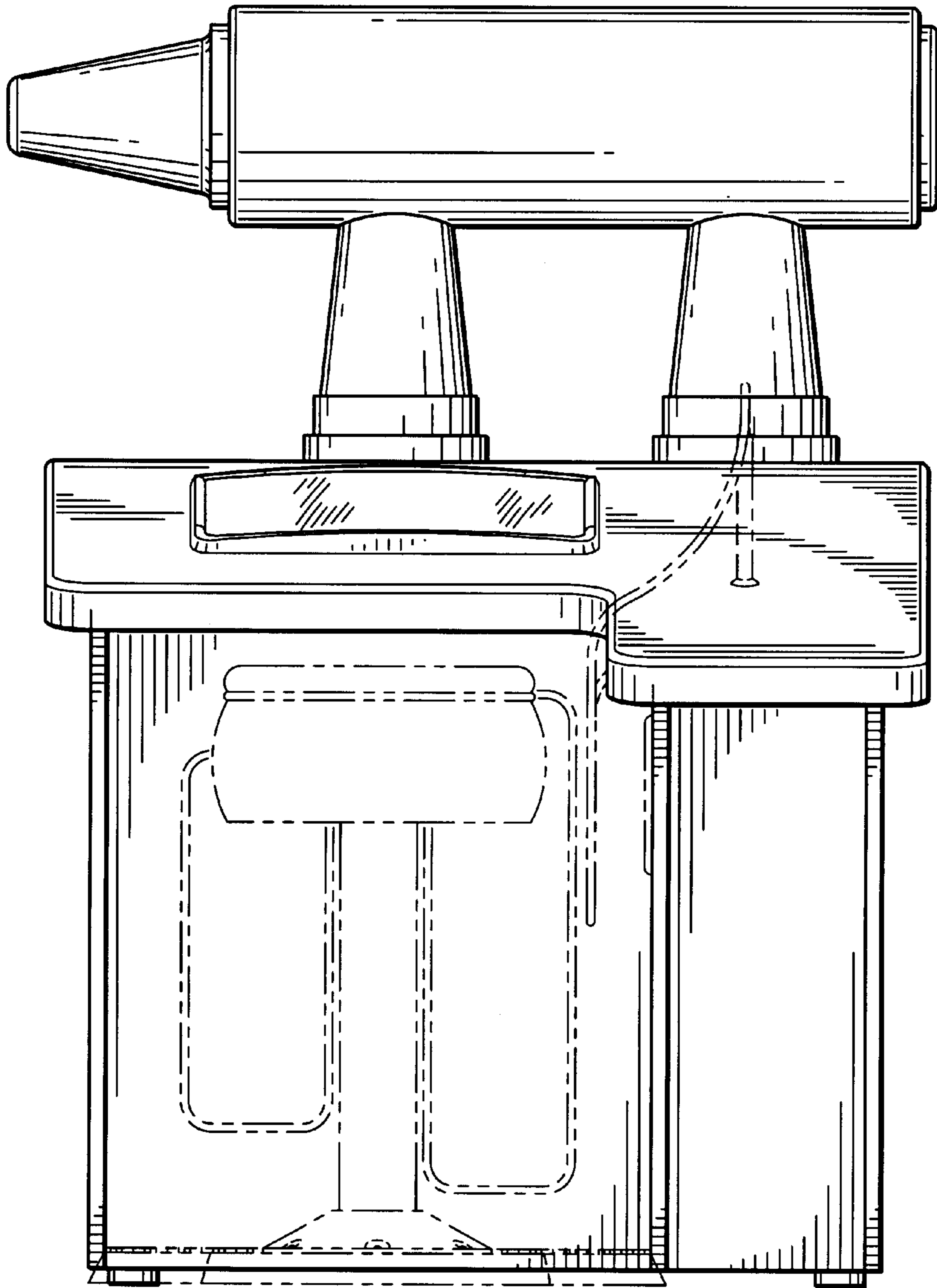


FIG. 2

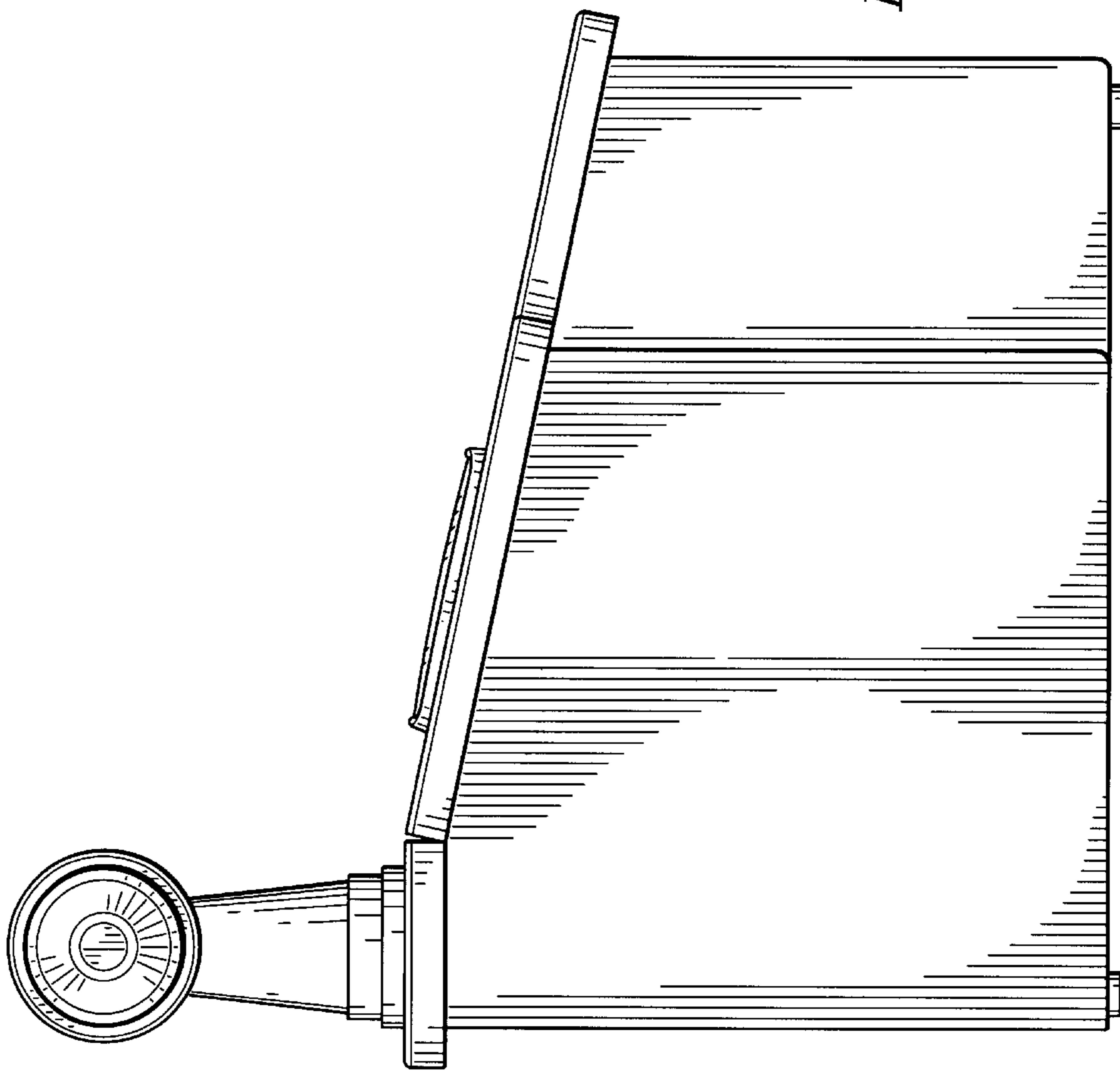
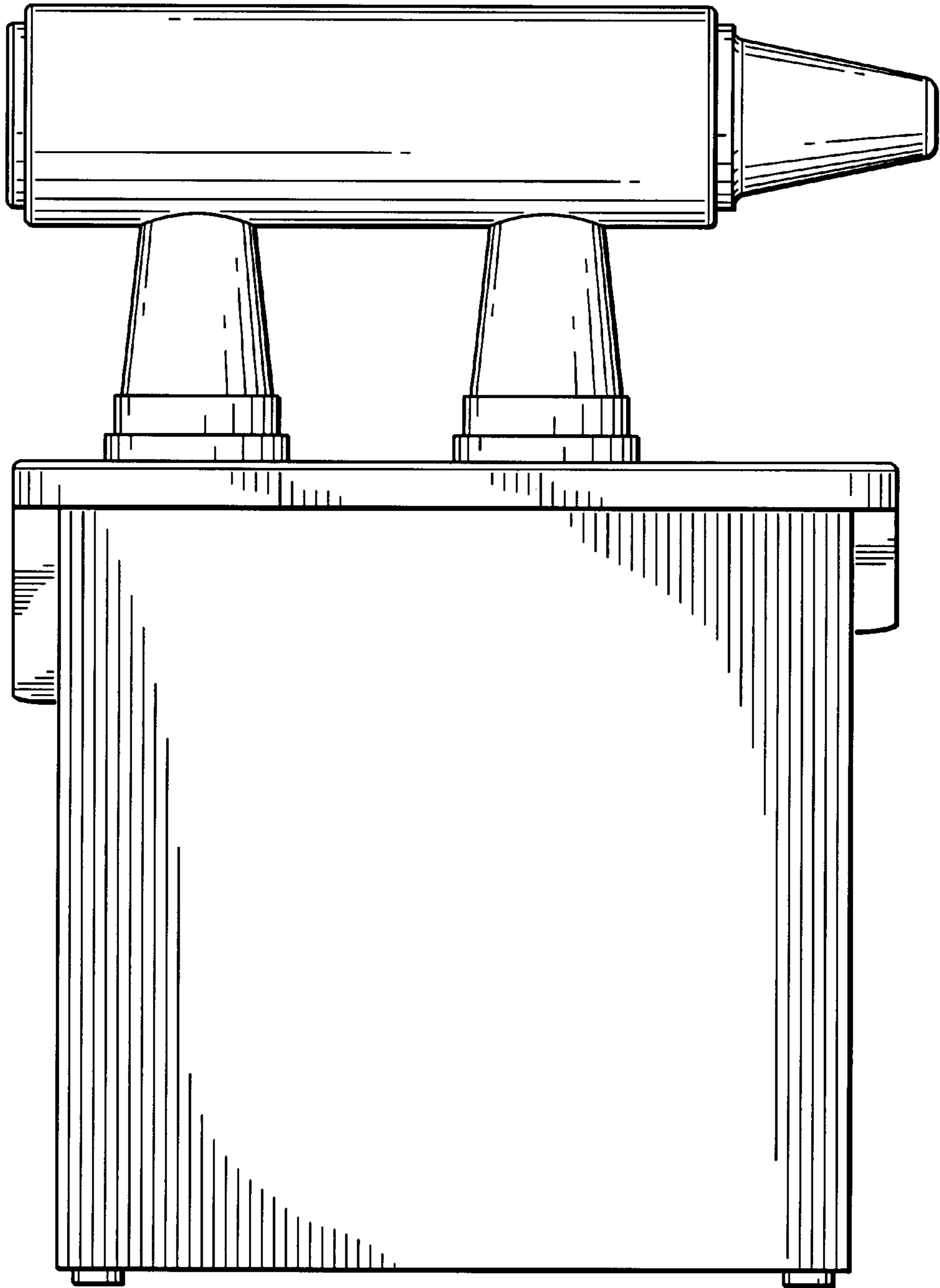


FIG. 3



*FIG. 4*

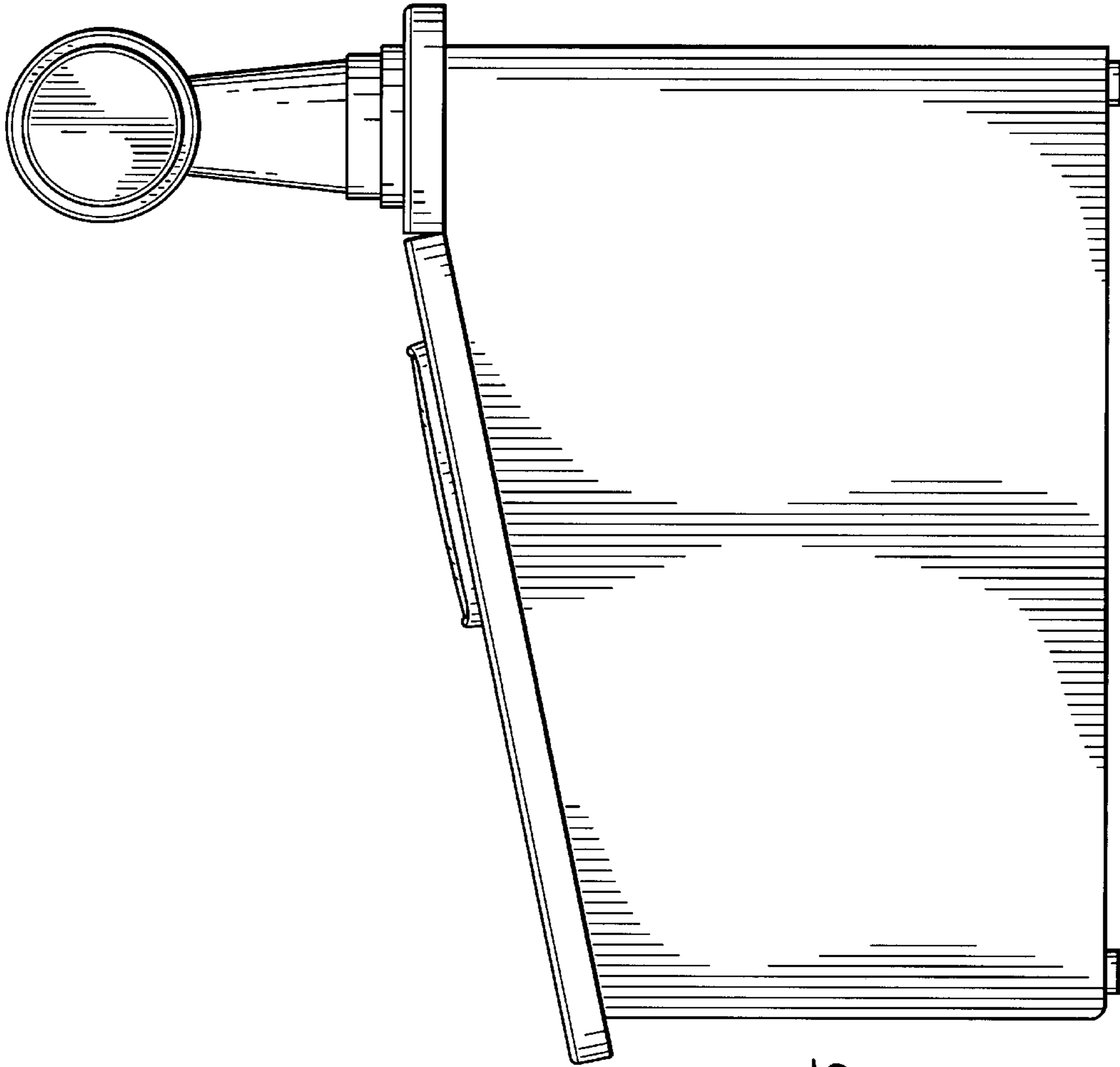


FIG. 5

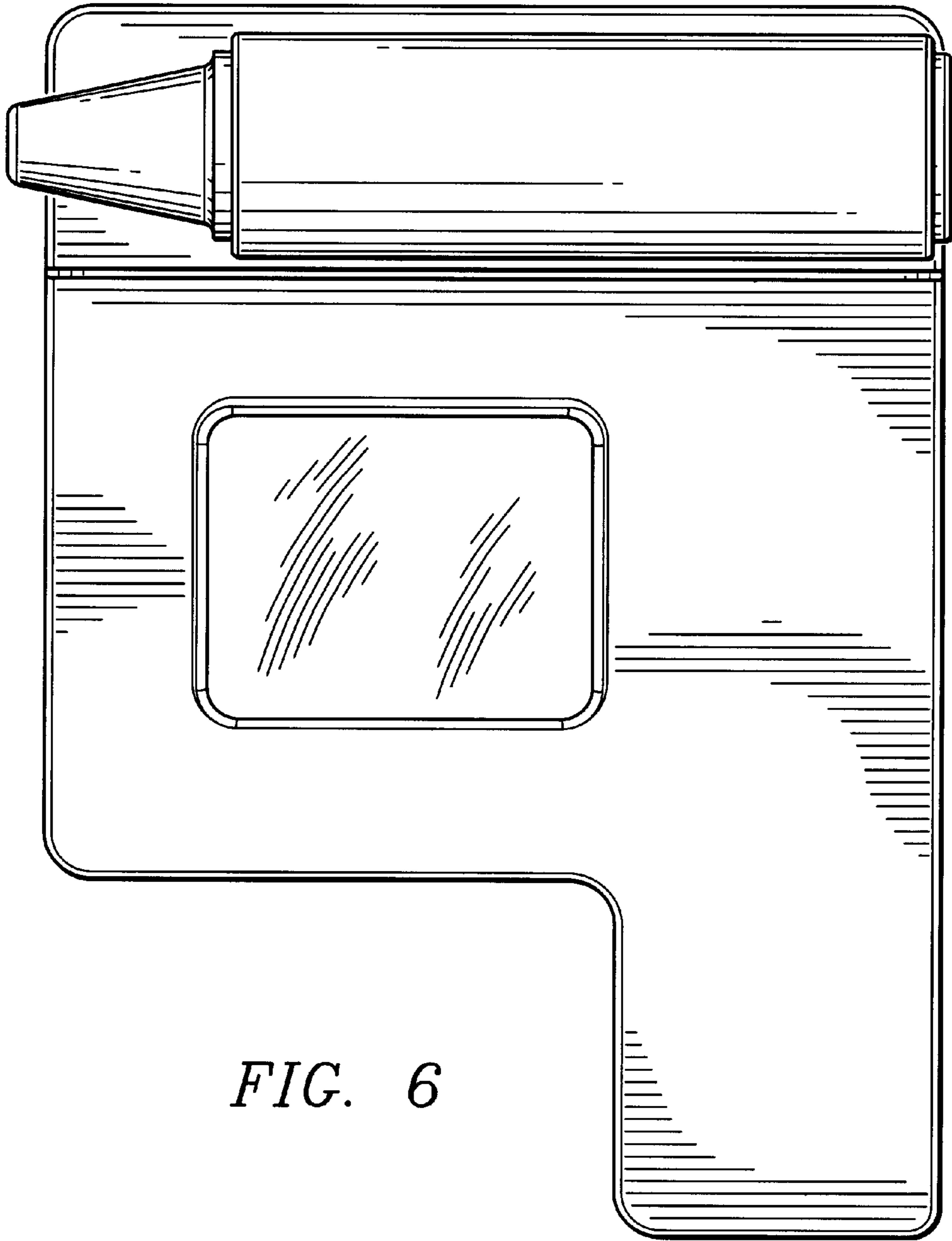


FIG. 6