



US00D447775B1

(12) **United States Design Patent**
McCormick

(10) **Patent No.:** **US D447,775 S**

(45) **Date of Patent:** **** Sep. 11, 2001**

(54) **MINI CLIP**

(75) **Inventor:** **Patrick L. McCormick**, Jacksonville, FL (US)

(73) **Assignee:** **Simple Signman Systems, Inc.**, Jacksonville, FL (US)

(**) **Term:** **14 Years**

(21) **Appl. No.:** **29/125,298**

(22) **Filed:** **Jun. 21, 2000**

(51) **LOC (7) Cl.** **20-02**

(52) **U.S. Cl.** **D20/43**

(58) **Field of Search** D20/10, 22, 23,
D20/27, 40, 42, 43, 44; 40/1, 5, 1.6, 299,
649, 650, 651, 658, 666

(56) **References Cited**

U.S. PATENT DOCUMENTS

D. 199,020	9/1964	Beddor .	
D. 223,435	4/1972	Hood .	
D. 233,065	10/1974	Hall .	
D. 240,501	7/1976	Carroll .	
D. 241,311	9/1976	McLintock .	
D. 241,312	9/1976	McLintock .	
D. 241,313	9/1976	McLintock .	
D. 295,194	4/1988	McCormick .	
D. 295,195	4/1988	Stoddard .	
D. 321,914	* 11/1991	Jam	D20/43
D. 342,286	* 12/1993	Orsos	D20/43
D. 344,764	* 3/1994	Jam	D20/43

D. 353,627	12/1994	McCormick .
1,333,515	3/1920	Thompson .
1,417,325	5/1922	Hopp .
2,859,546	11/1958	Gutterson .
3,324,585	6/1967	Frederickson .
3,530,605	9/1970	Gutterson .
3,711,973	1/1973	Slavsky .
3,714,724	2/1973	Slavsky .
3,797,143	3/1974	Miller .
3,975,847	8/1976	Slavsky .
4,485,575	12/1984	Fast .

* cited by examiner

Primary Examiner—Marcus A. Jackson

(74) *Attorney, Agent, or Firm*—Rogers Towers Bailey Jones & Gay, P.A.; Richard S. Vermut

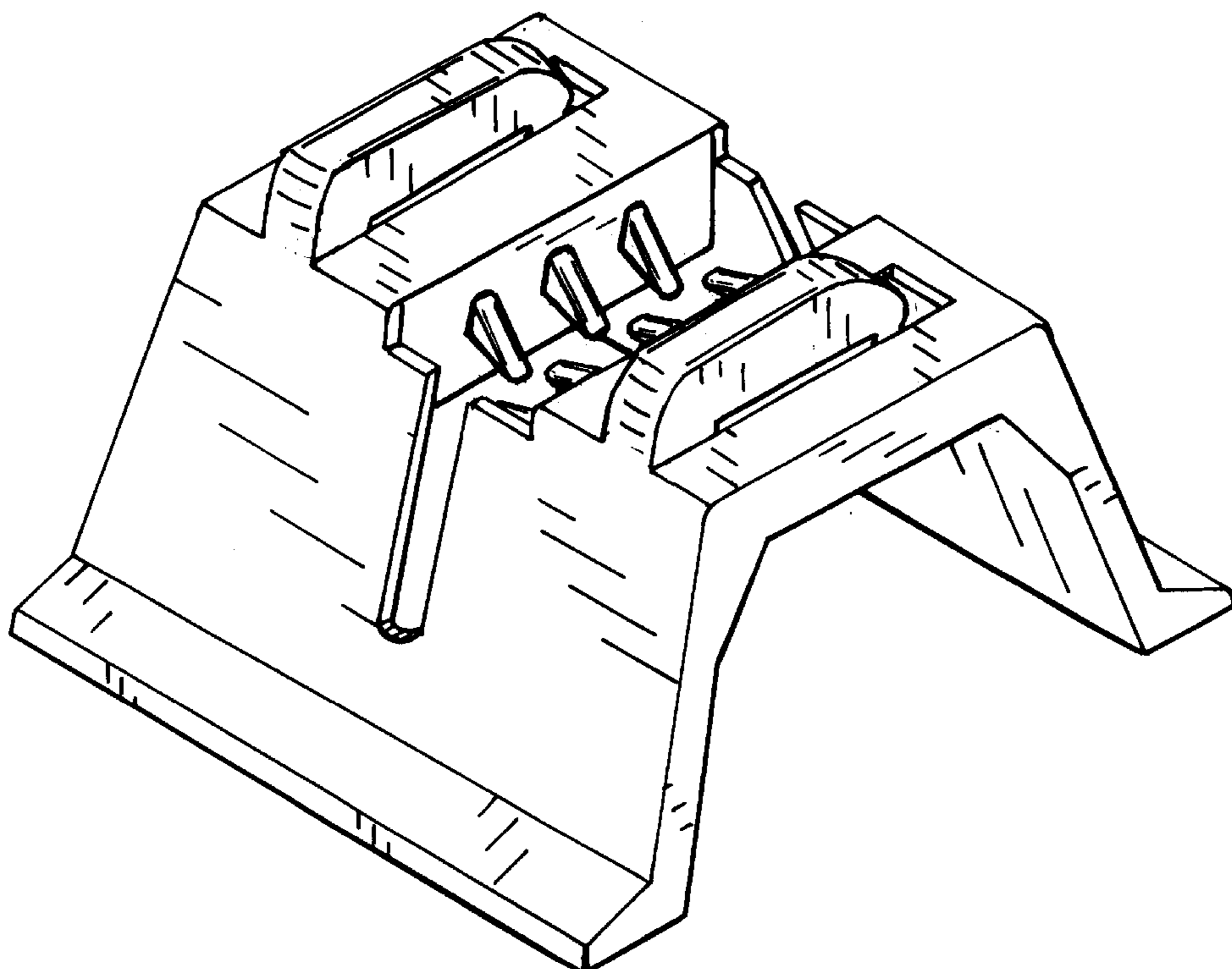
(57) **CLAIM**

The ornamental design for a mini clip, as shown and described.

DESCRIPTION

FIG. 1 is a perspective view of the mini clip showing my new design;
FIG. 2 is a side elevation view thereof;
FIG. 3 is a top plan view thereof;
FIG. 4 is a bottom plan view thereof;
FIG. 5 is a back plan view thereof;
FIG. 6 is a front plan view thereof; and,
FIG. 7 is a sectional view taken along line 7—7 of FIG. 4;
and,
FIG. 8 is a sectional view taken along line 8—8 of FIG. 5.

1 Claim, 5 Drawing Sheets



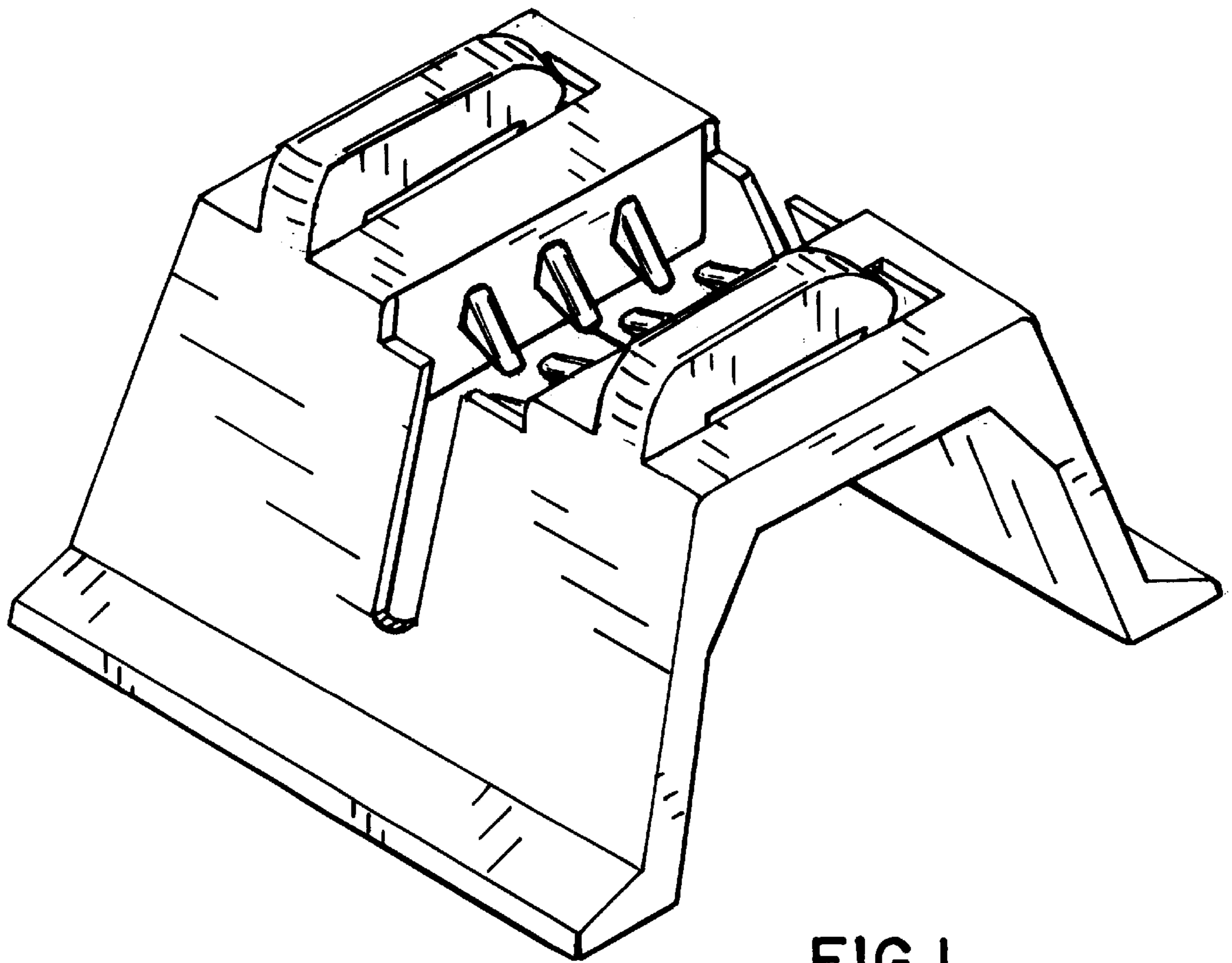


FIG. 1

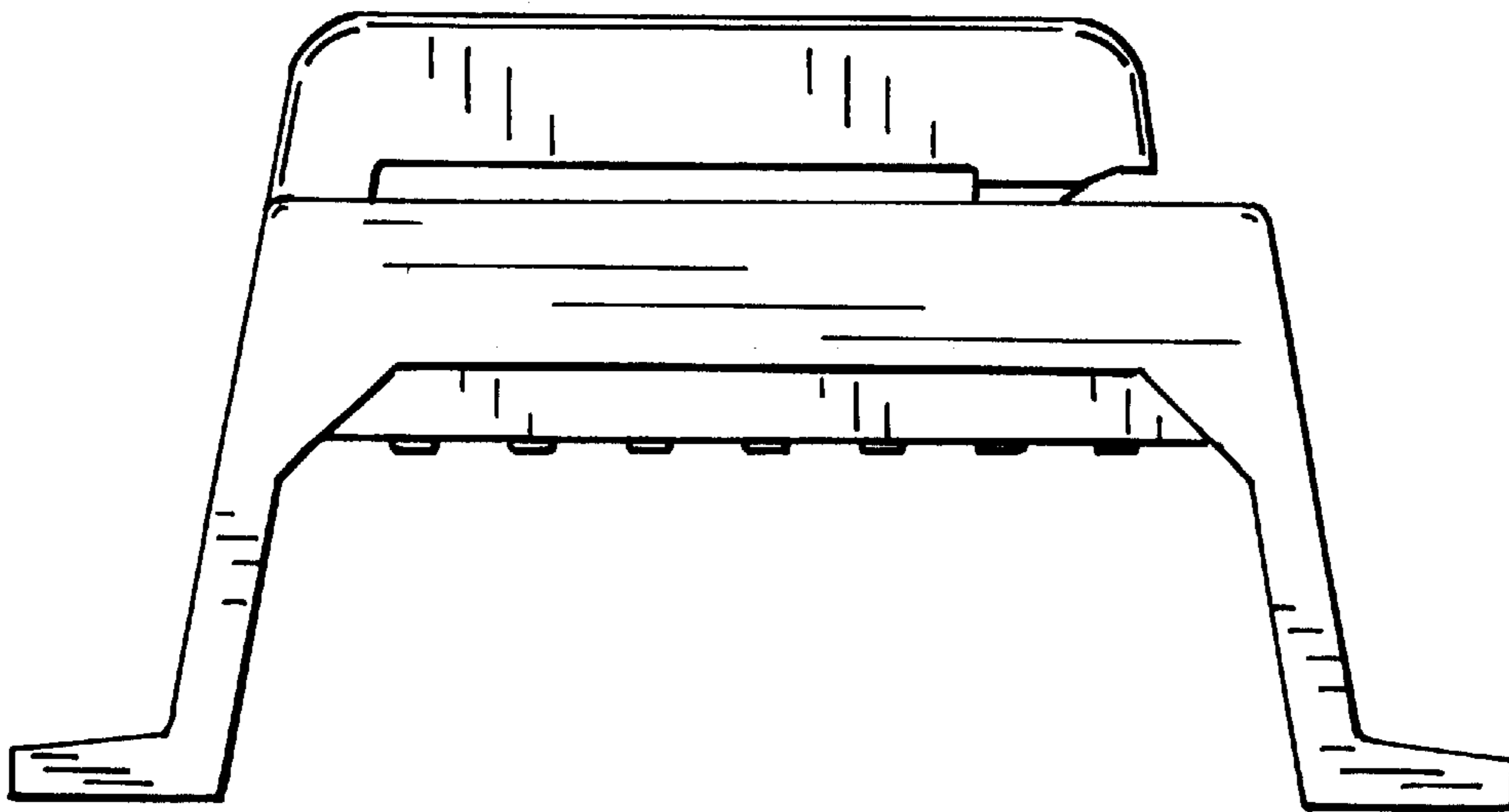


FIG. 2

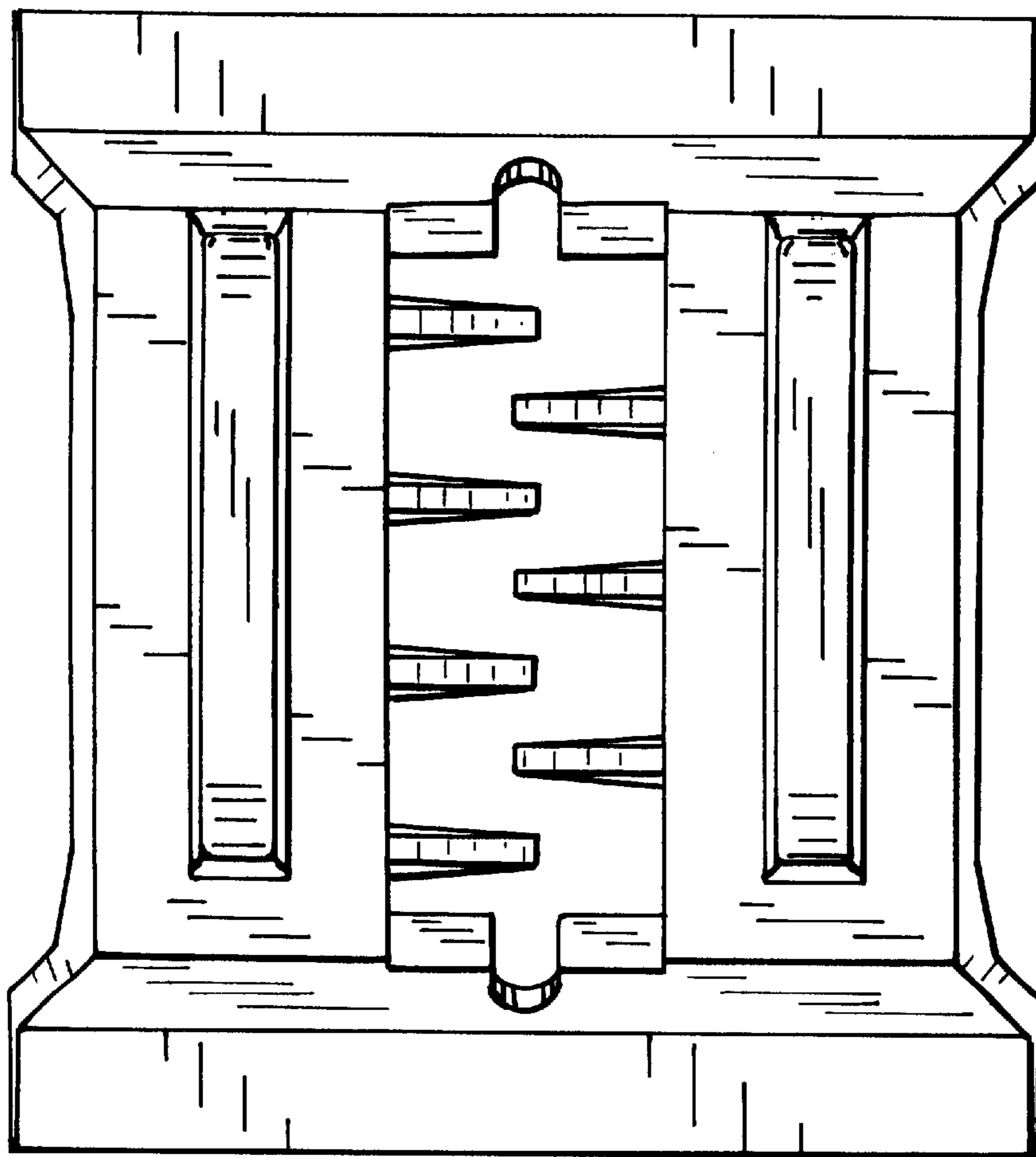


FIG. 3

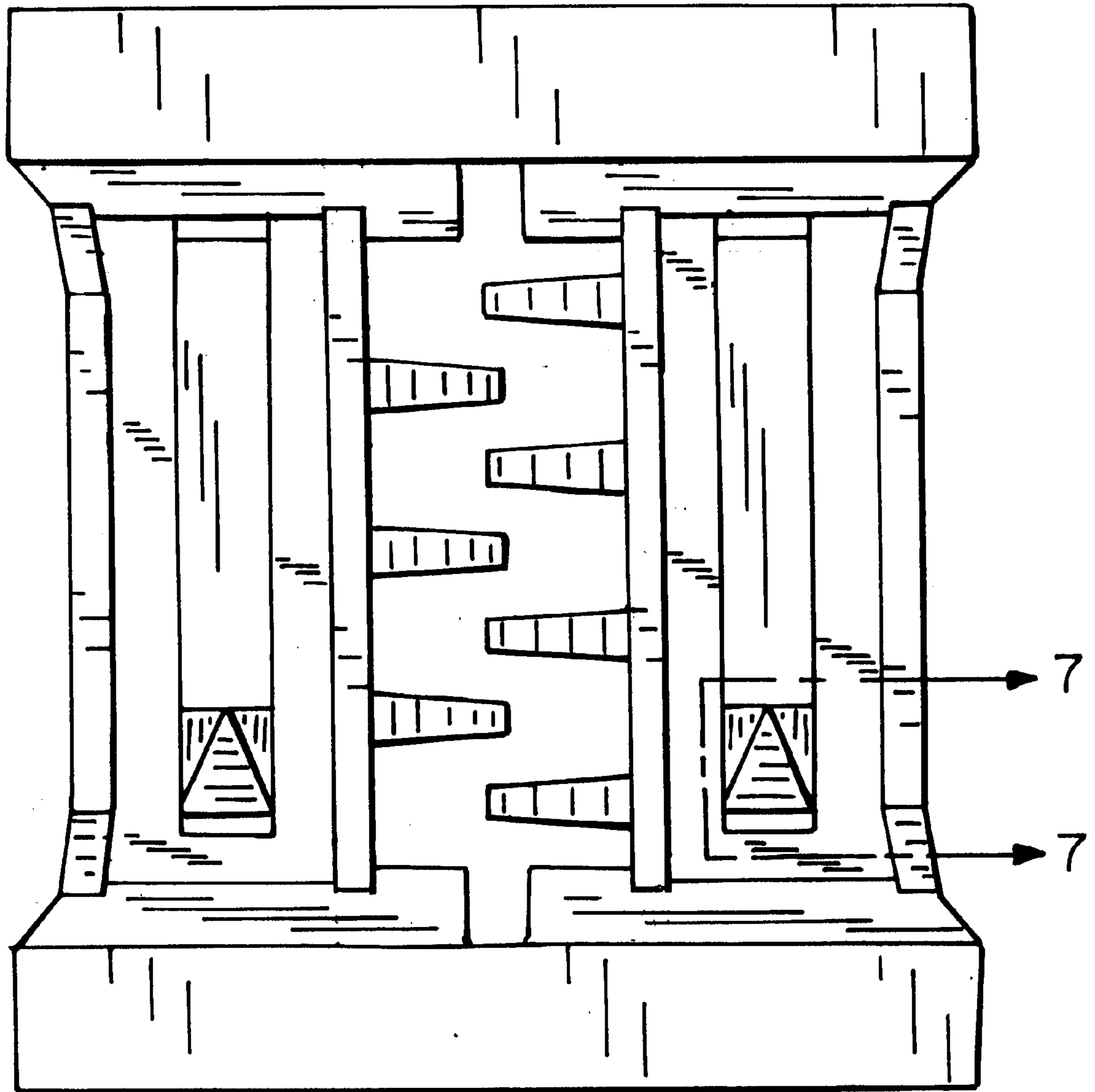


FIG. 4

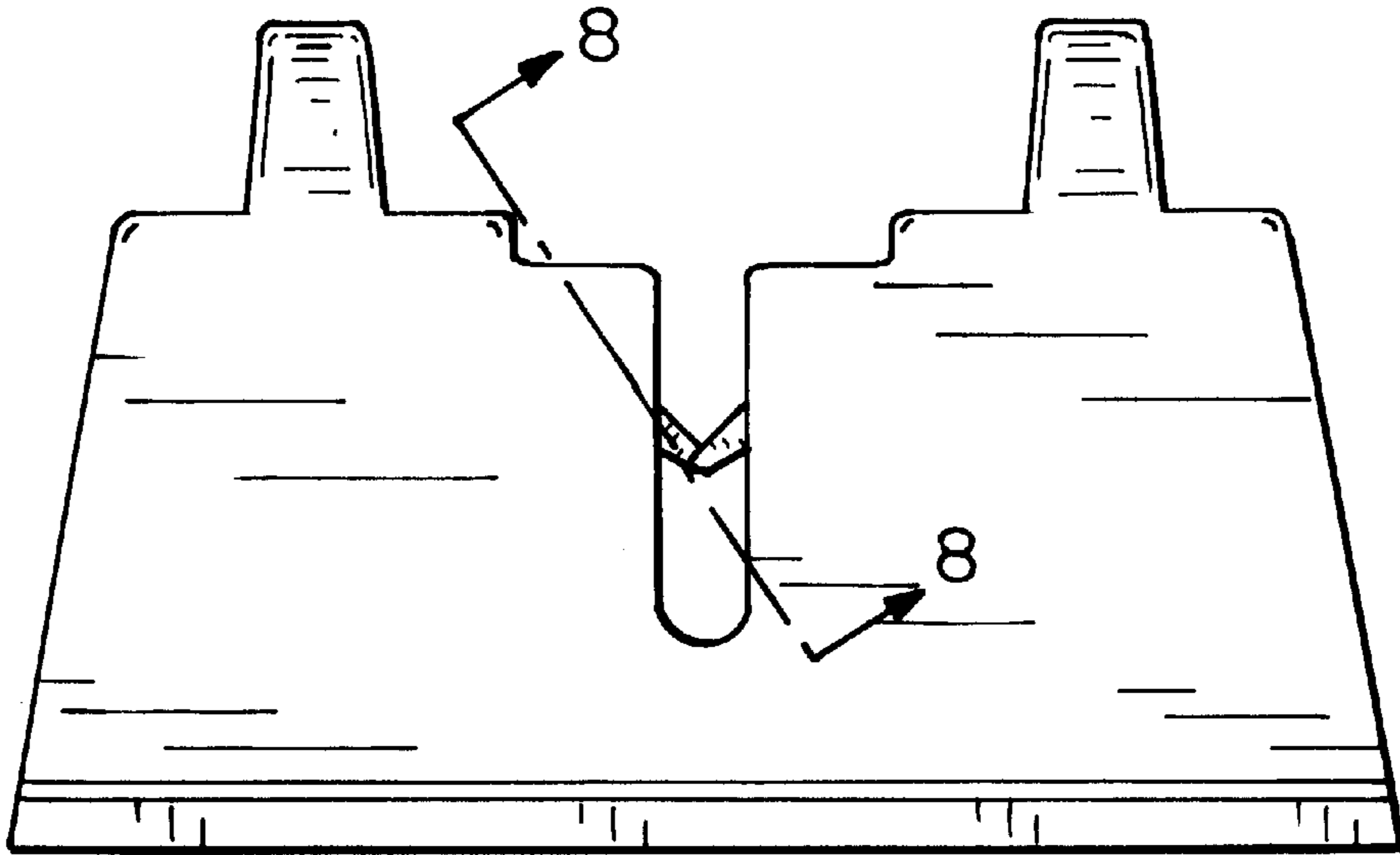


FIG. 5

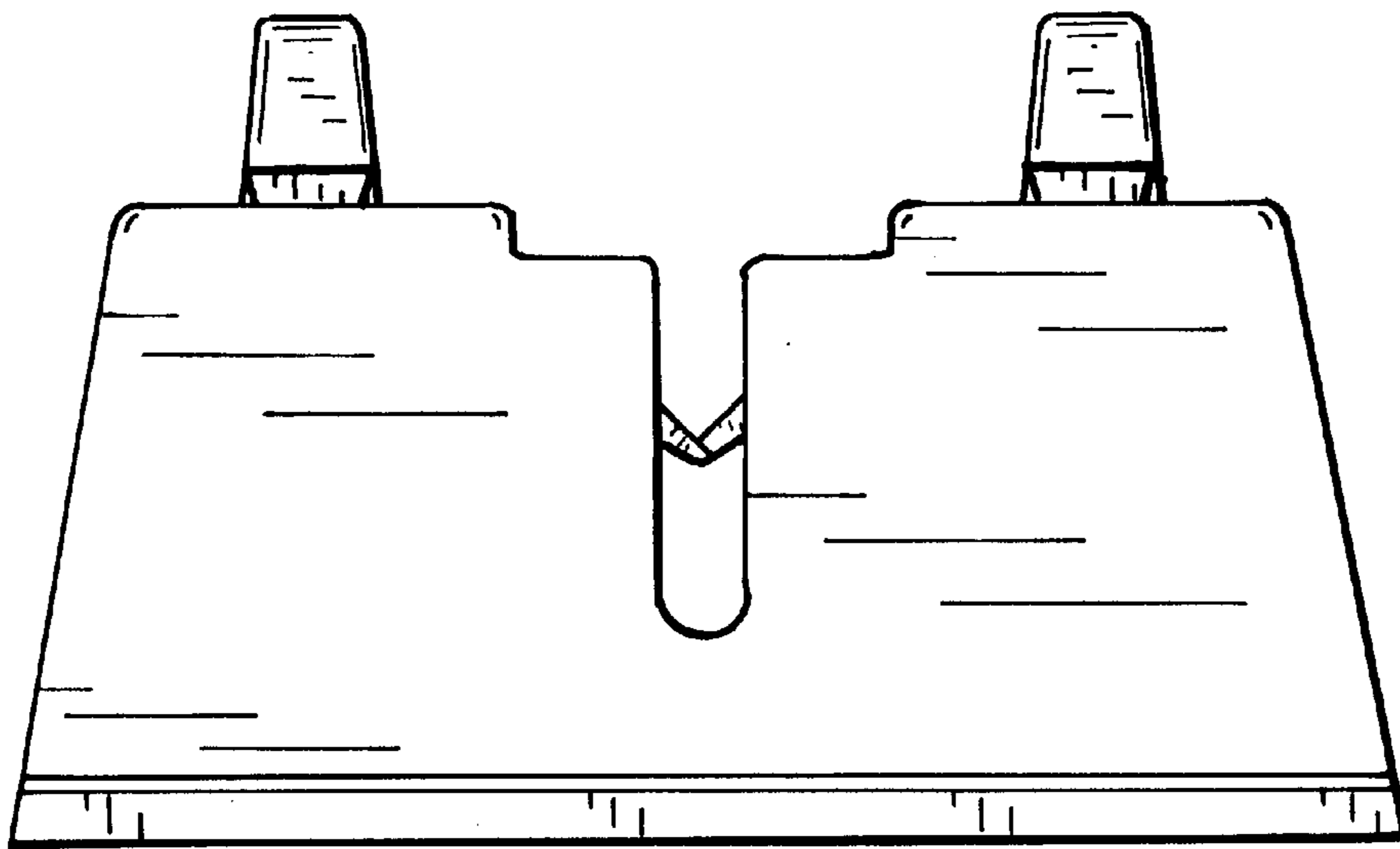


FIG. 6

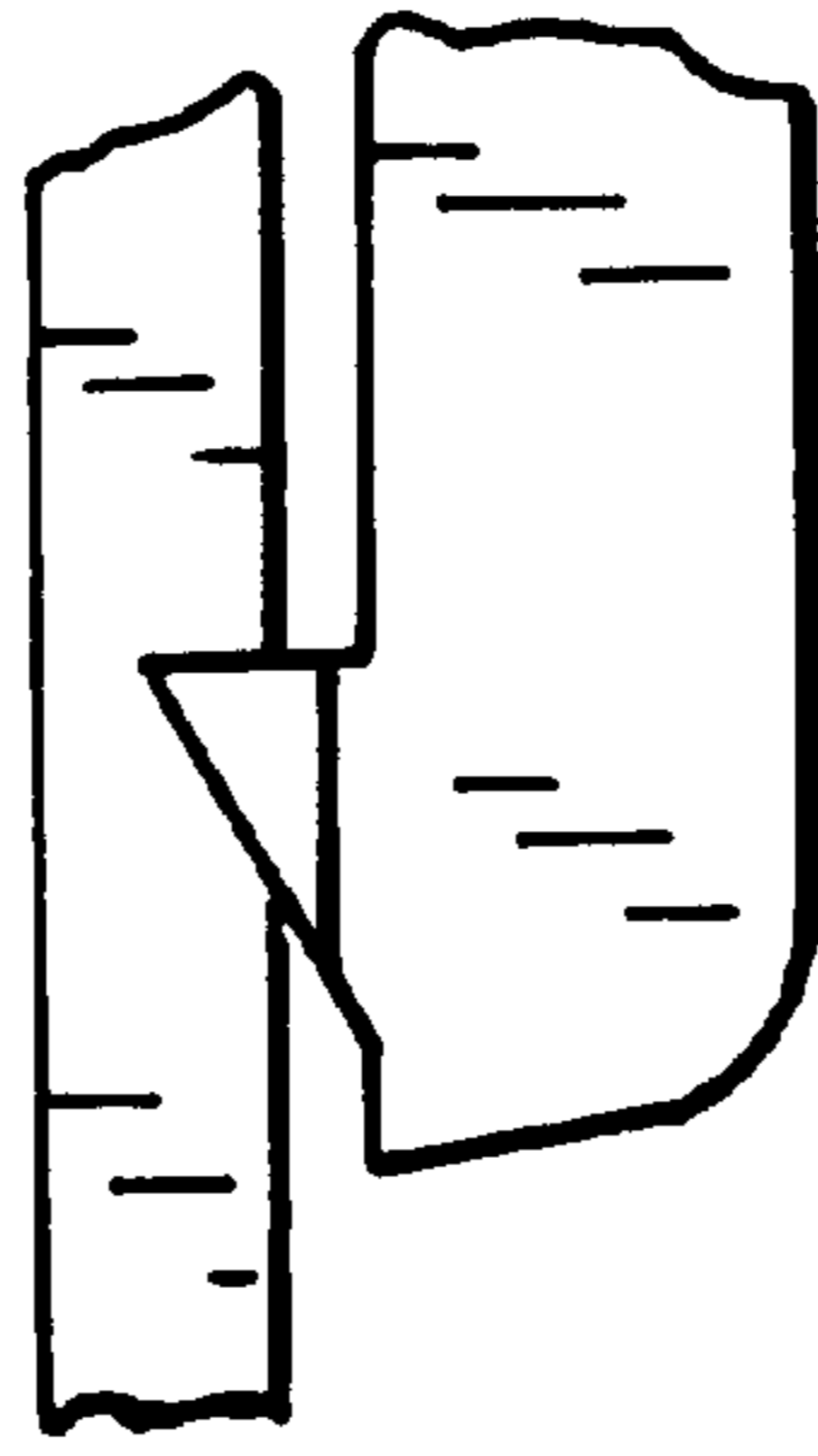


FIG. 7

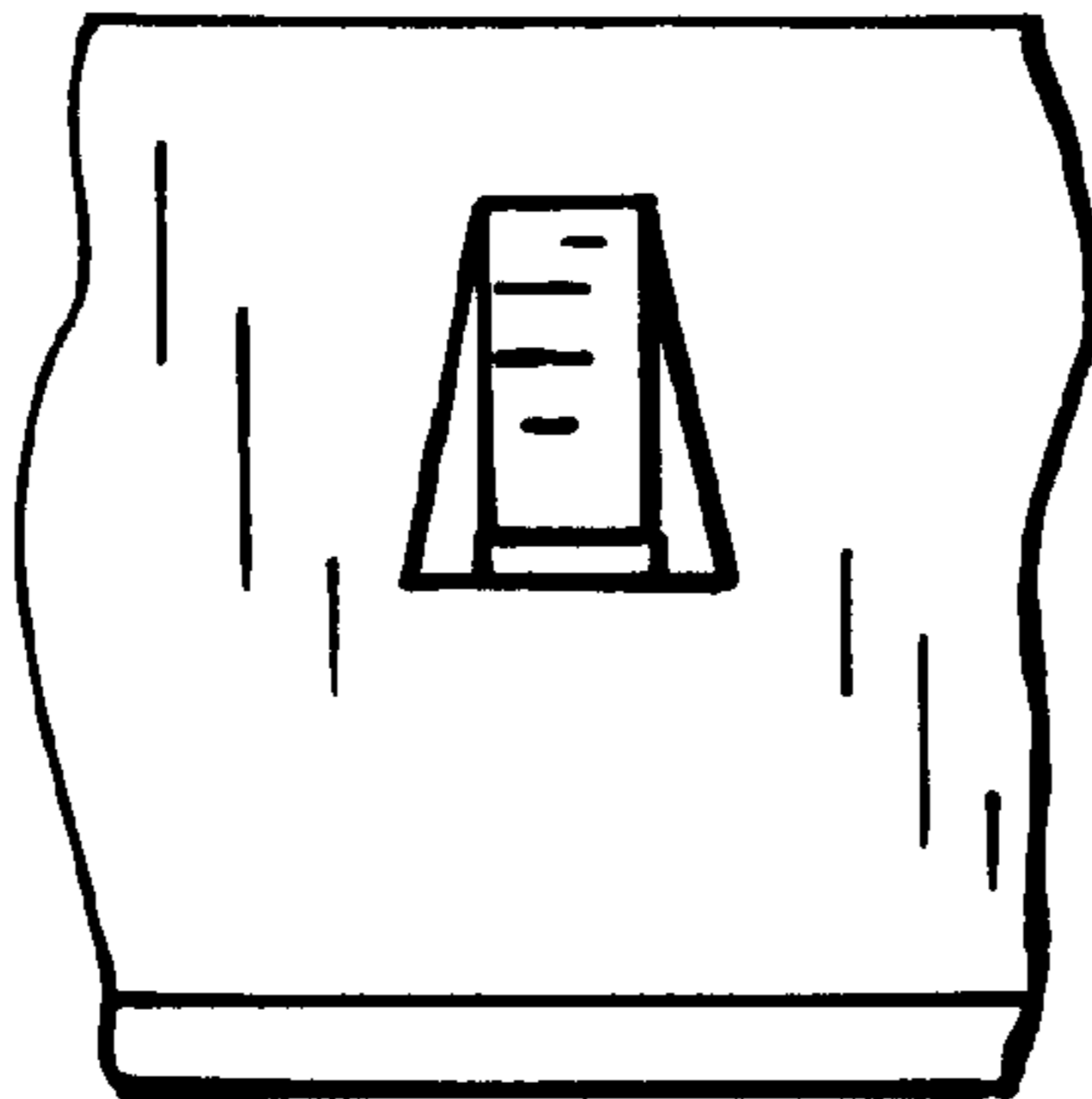


FIG. 8