



US00D447774B1

(12) **United States Design Patent**
Elmer et al.

(10) **Patent No.:** **US D447,774 S**

(45) **Date of Patent:** **** Sep. 11, 2001**

(54) **ADVERTISING SIGN FOR VEHICLES**

(76) Inventors: **William A. Elmer**, HTH, Inc. 711 Jackson St., Winter Park, FL (US) 32789-4610; **Mohammad S. Suleiman**, 3408 Brunell Dr., Oakland, CA (US) 94602

(**) Term: **14 Years**

(21) Appl. No.: **29/102,216**

(22) Filed: **Mar. 19, 1999**

(51) **LOC (7) Cl.** **20-03**

(52) **U.S. Cl.** **D20/10**

(58) **Field of Search** D20/10, 19, 29; 40/584, 572, 591, 592; D26/31

(56) **References Cited**

U.S. PATENT DOCUMENTS

D. 255,726	*	7/1980	Leuthesser	D26/31
D. 386,091	*	11/1997	Caulk	D20/10
D. 386,208	*	11/1997	Caulk	D20/10
D. 418,930	*	1/2000	De Leon	D26/31
4,052,806	*	10/1977	George	40/592

* cited by examiner

Primary Examiner—Susan J. Lucas

Assistant Examiner—Jennifer Rivard

(74) *Attorney, Agent, or Firm*—Allen, Dyer, Doppelt, Milbrath & Gilchrist, P.A.

(57) **CLAIM**

The ornamental design for an advertising sign for vehicles, as shown and described.

DESCRIPTION

FIG. 1 is a front, side perspective view of the first embodi-

ment of an advertising sign for vehicles showing our new design;

FIG. 2 is a front elevation view thereof, the rear elevation view being a mirror image;

FIG. 3 is a right side elevation view thereof, the left side elevation being a mirror image;

FIG. 4 is a top plan view thereof;

FIG. 5 is a bottom plan view thereof;

FIG. 6 is a front, side perspective of a second embodiment thereof, the only difference being the dashed design of the bottom of the embodiment;

FIG. 7 is a front elevation view of the second embodiment, the rear elevation view being a mirror image;

FIG. 8 is a right side elevation view thereof, the left side being a mirror image;

FIG. 9 is a bottom plan view thereof;

FIG. 10 is a front side elevation view of the third embodiment, the only difference from the first embodiment being the slope of the right and left sides is closer to the vertical;

FIG. 11 is a top plan view thereof;

FIG. 12 is a front elevation view of the fourth embodiment, the only difference being the slope of the right and left sides is closer to the horizontal than the first embodiment;

FIG. 13 is a top plan view thereof;

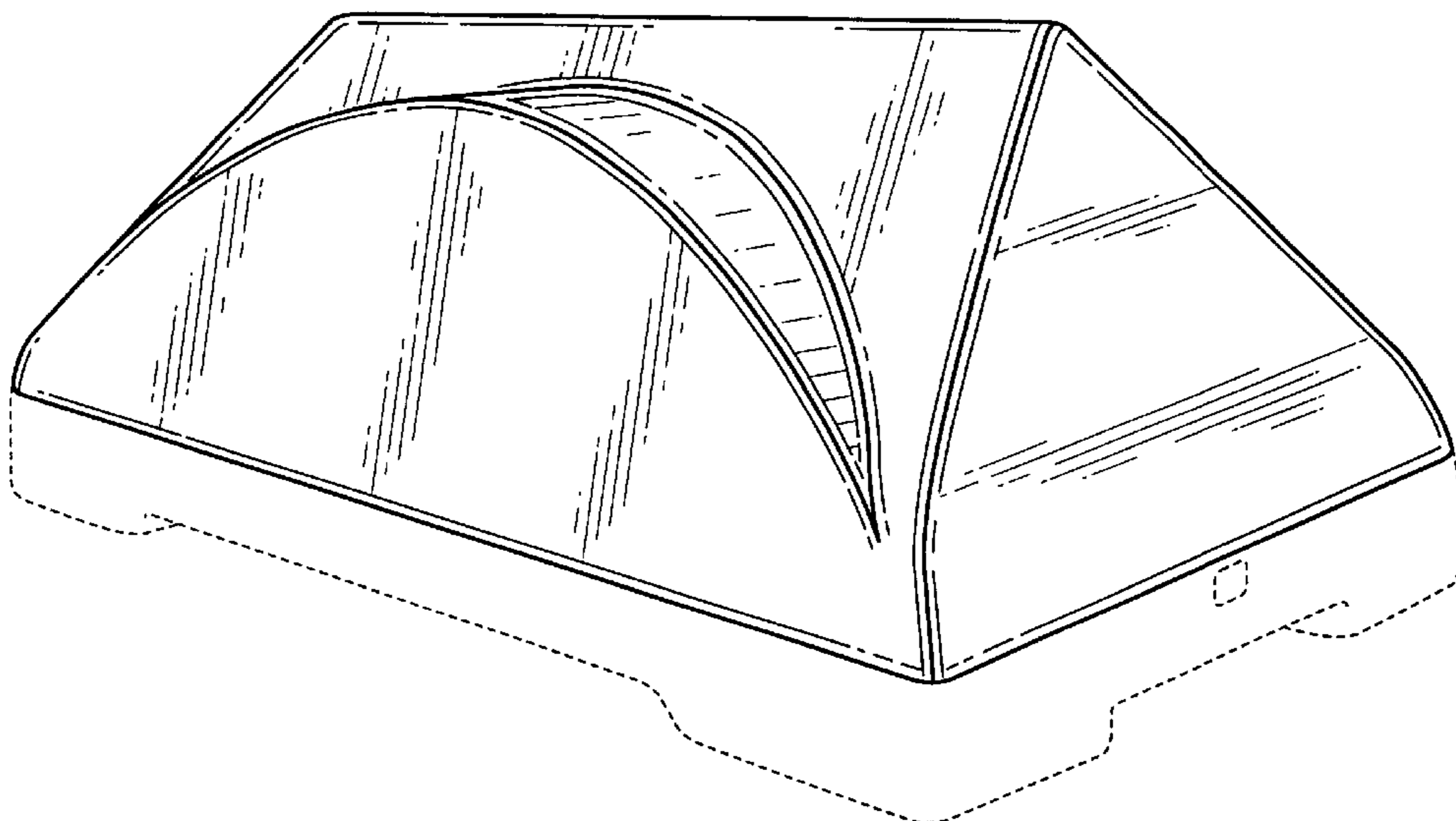
FIG. 14 is a front elevation view of the fifth embodiment, the only difference being the slope of the right and left sides is closer to the horizontal than the fourth embodiment; and,

FIG. 15 is a top plan view thereof.

The bottom views of the third, fourth, and fifth embodiments are identical to FIG. 5.

The broken lines are shown for illustrative purposes only and form no part of the claimed design.

1 Claim, 8 Drawing Sheets



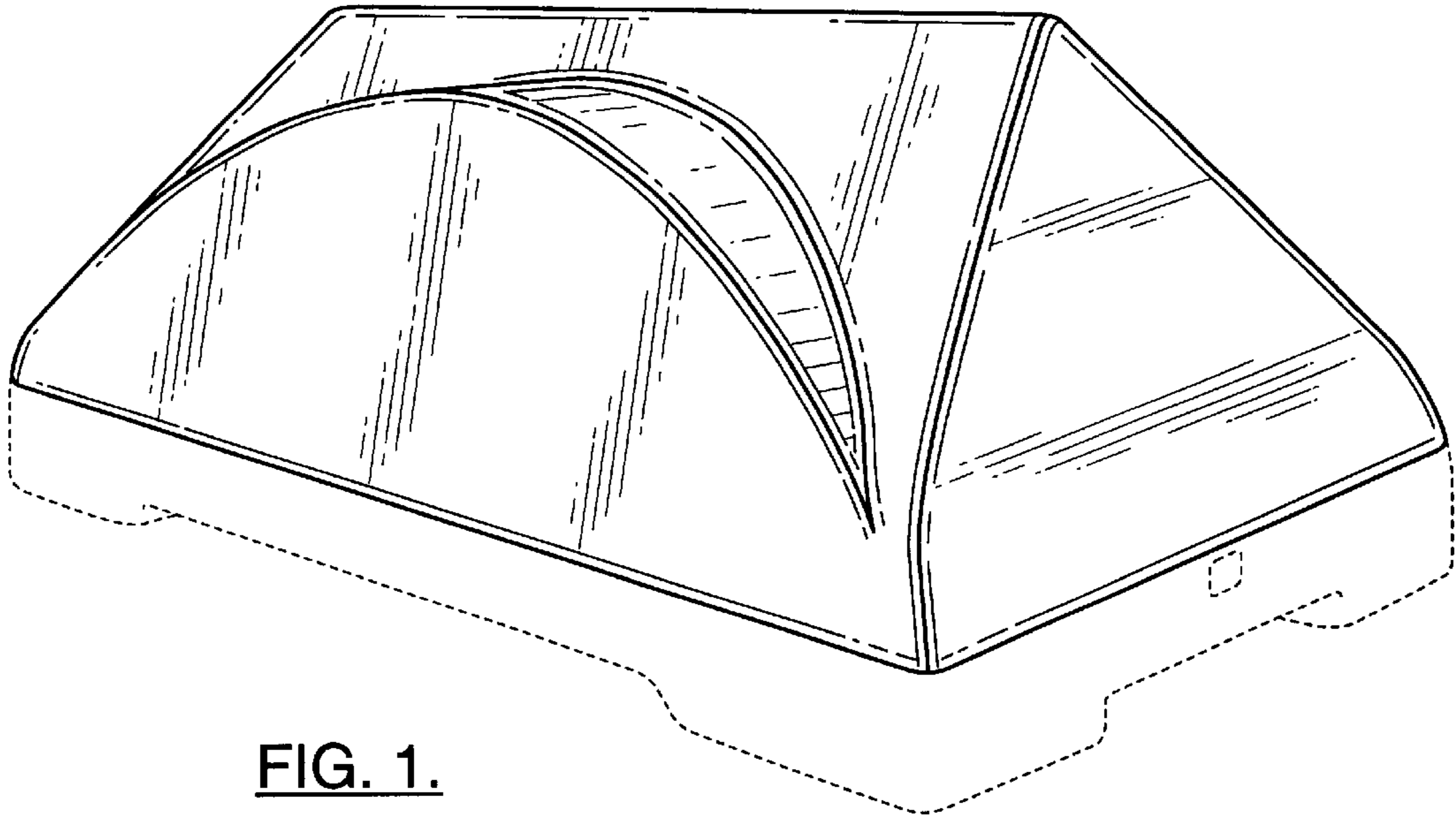


FIG. 1.

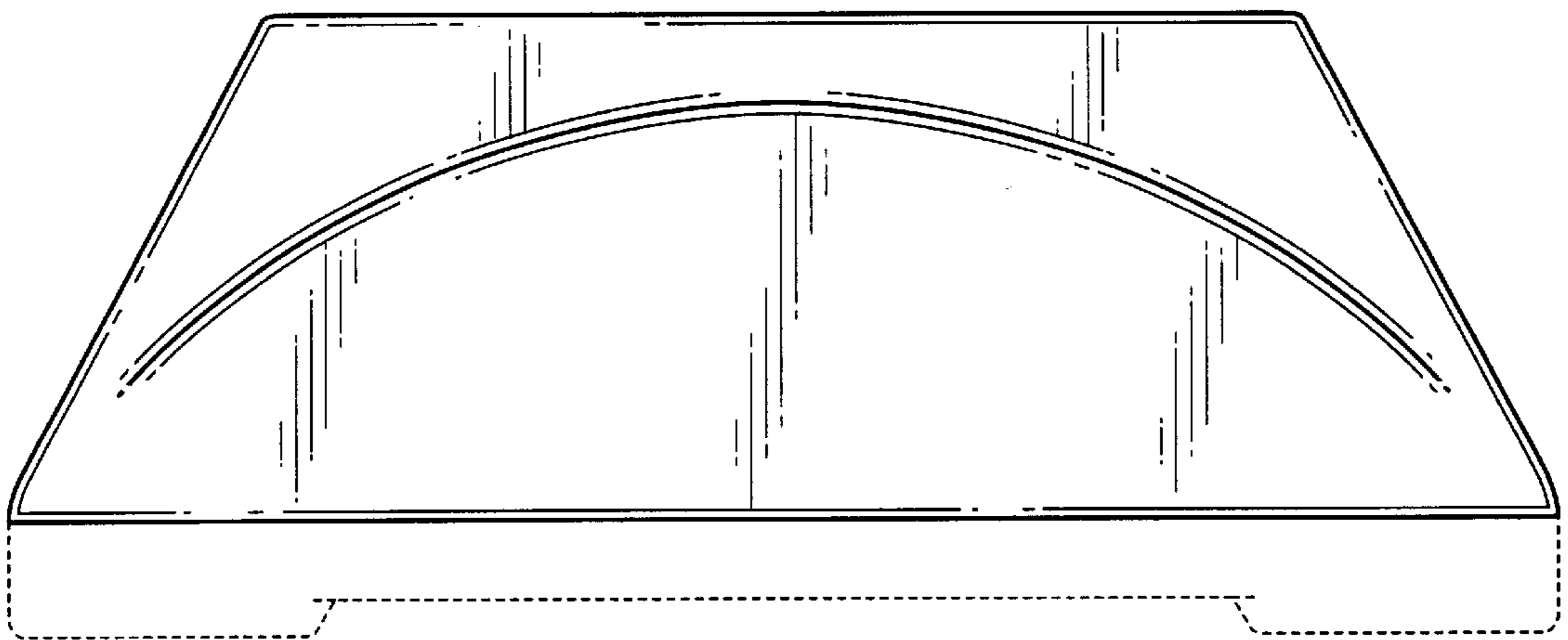


FIG. 2.

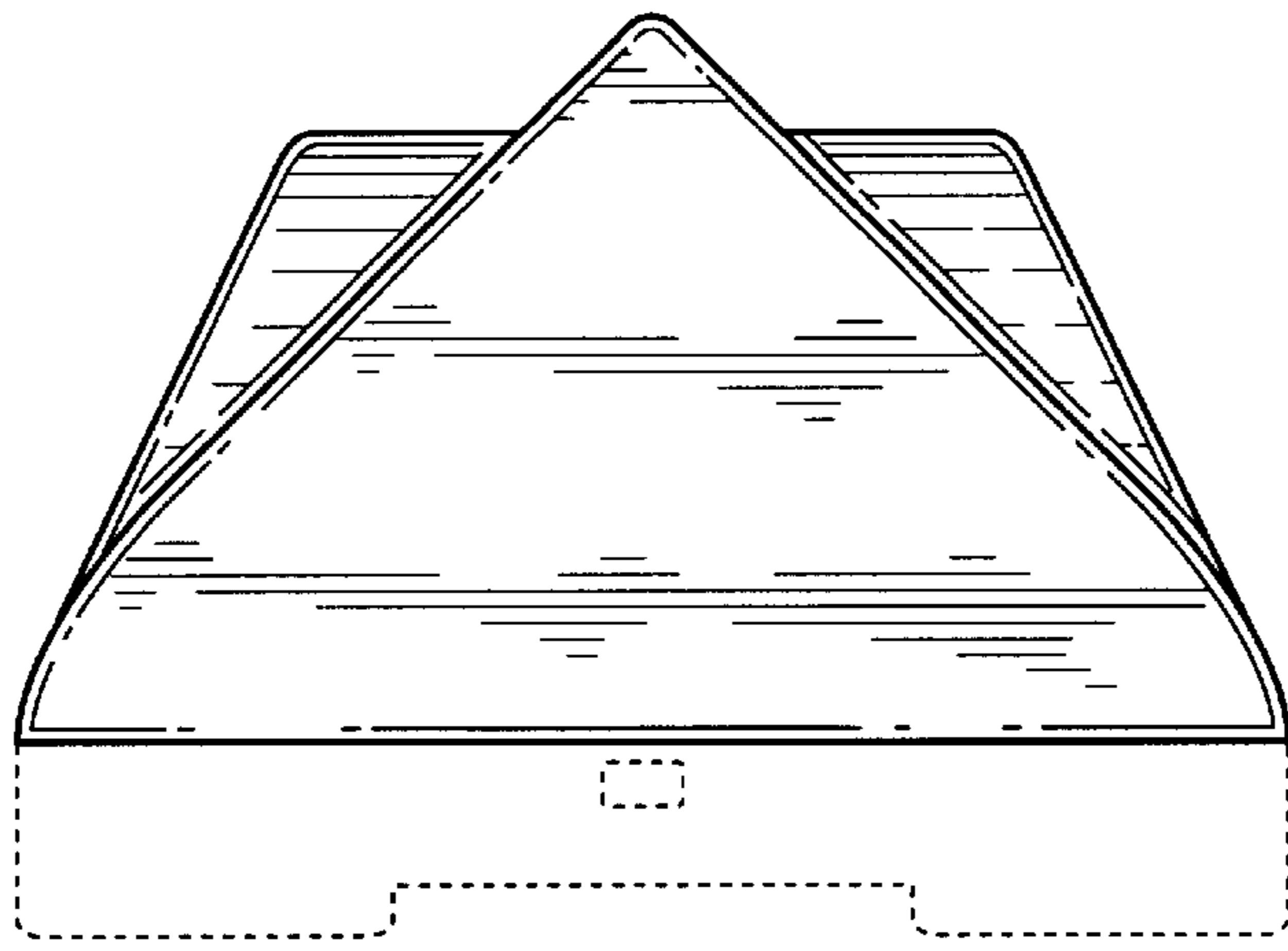


FIG. 3.

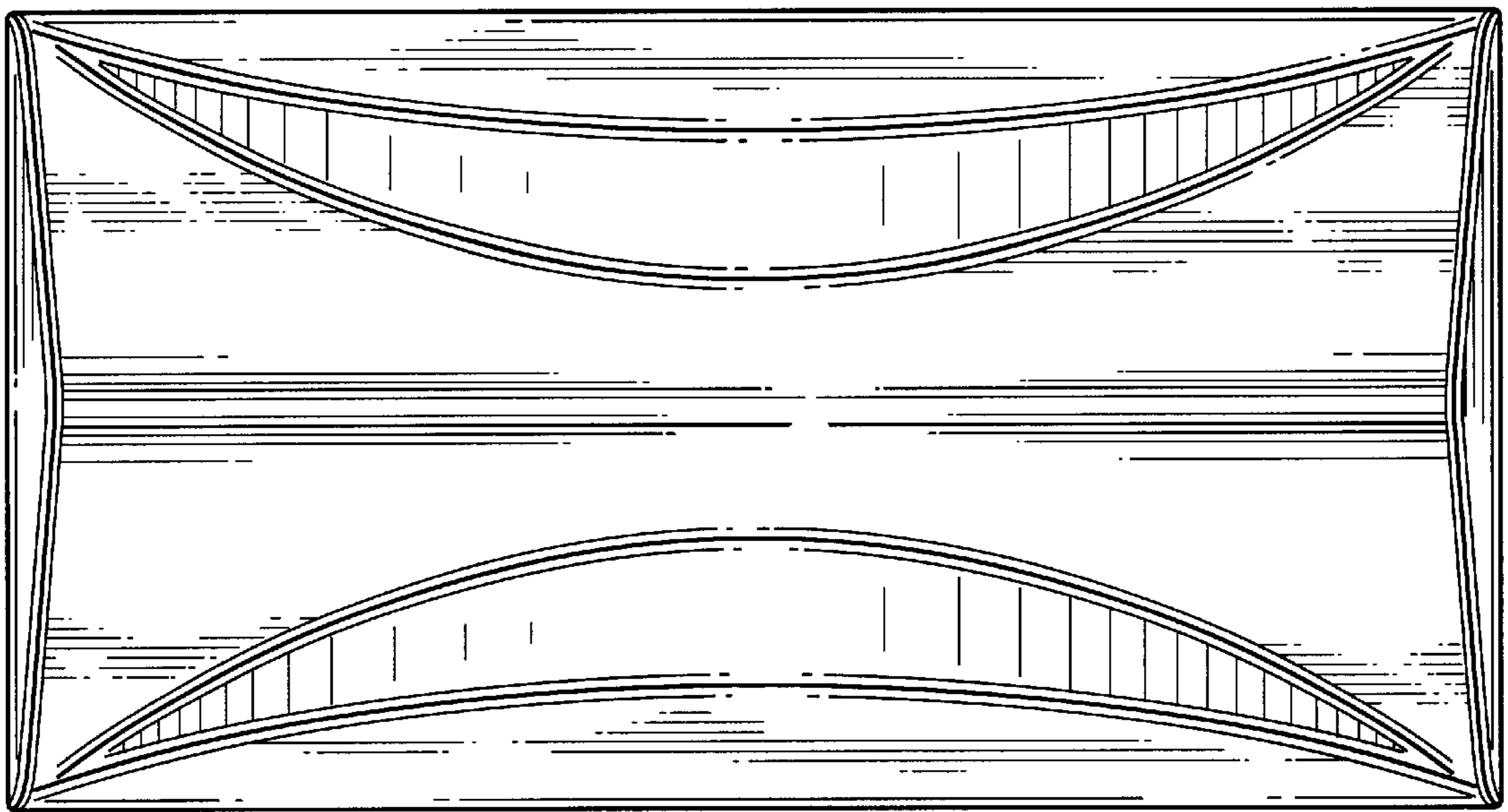


FIG. 4.

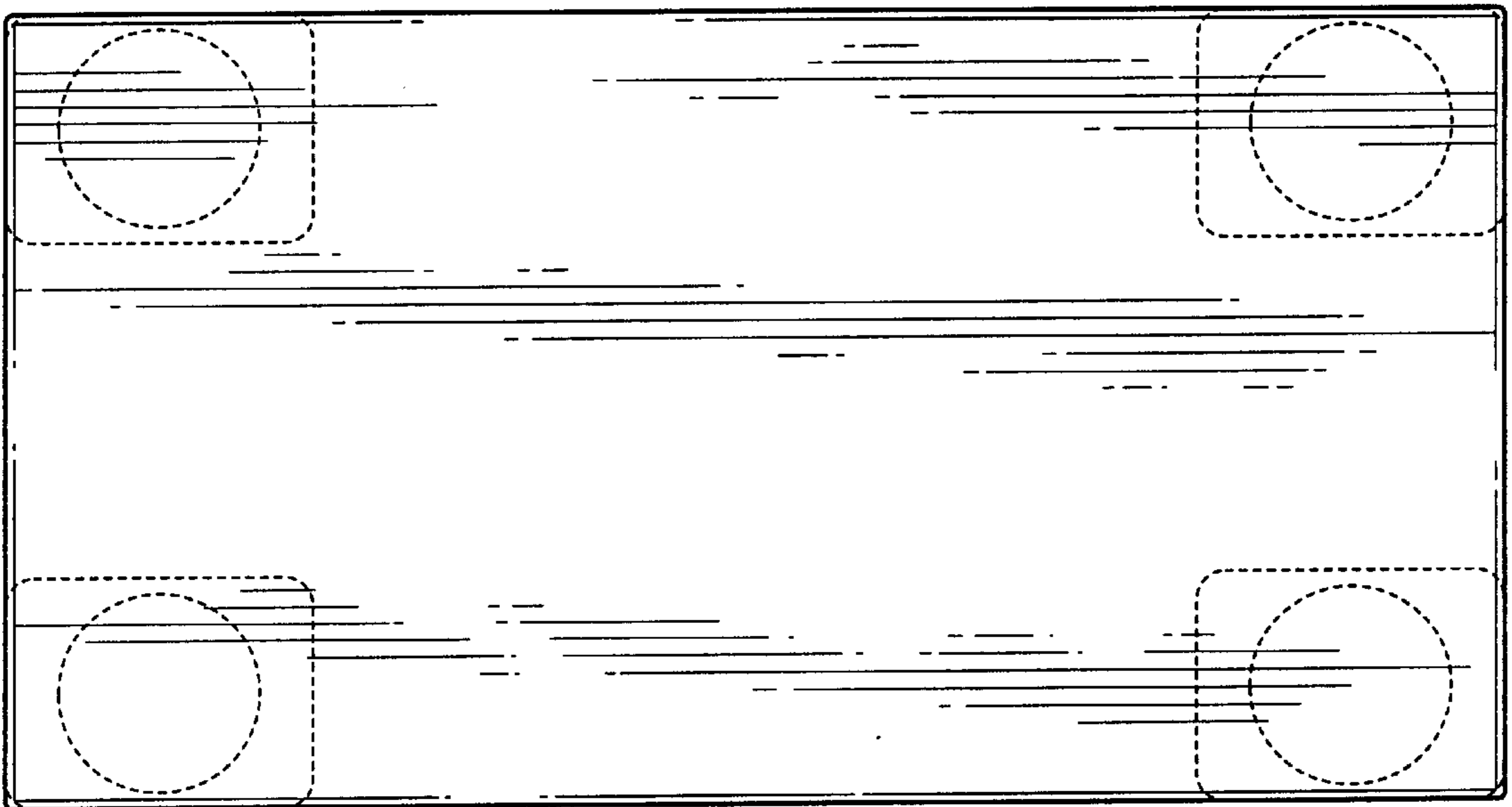


FIG. 5.

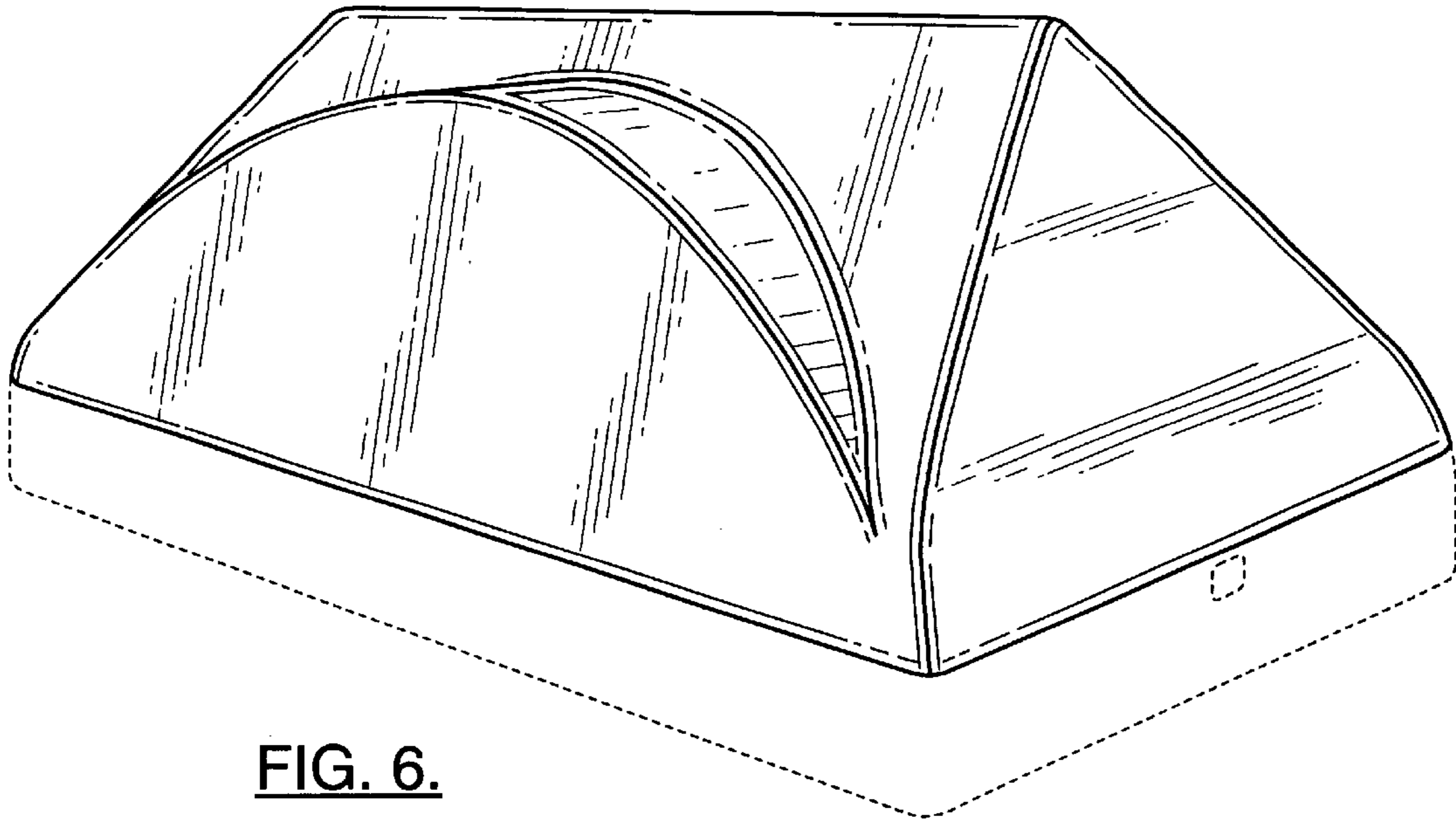


FIG. 6.

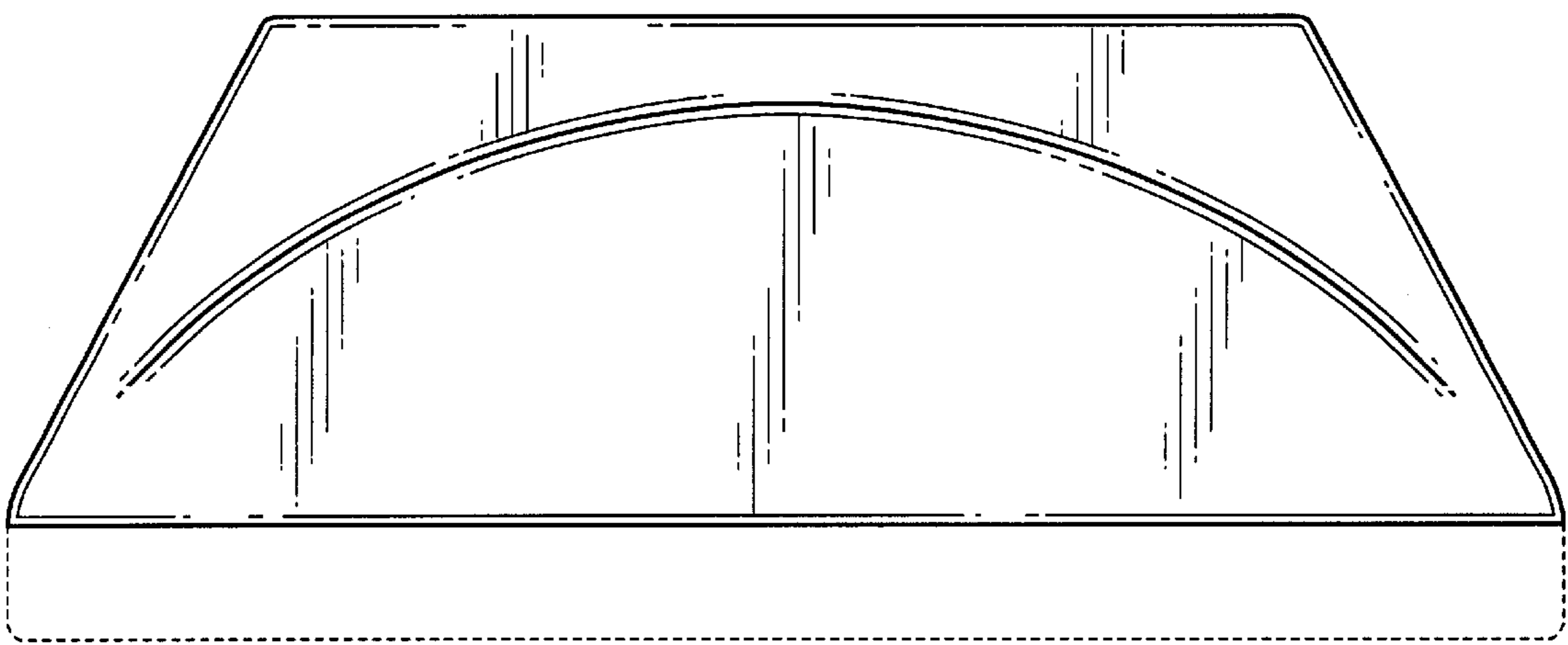


FIG. 7.

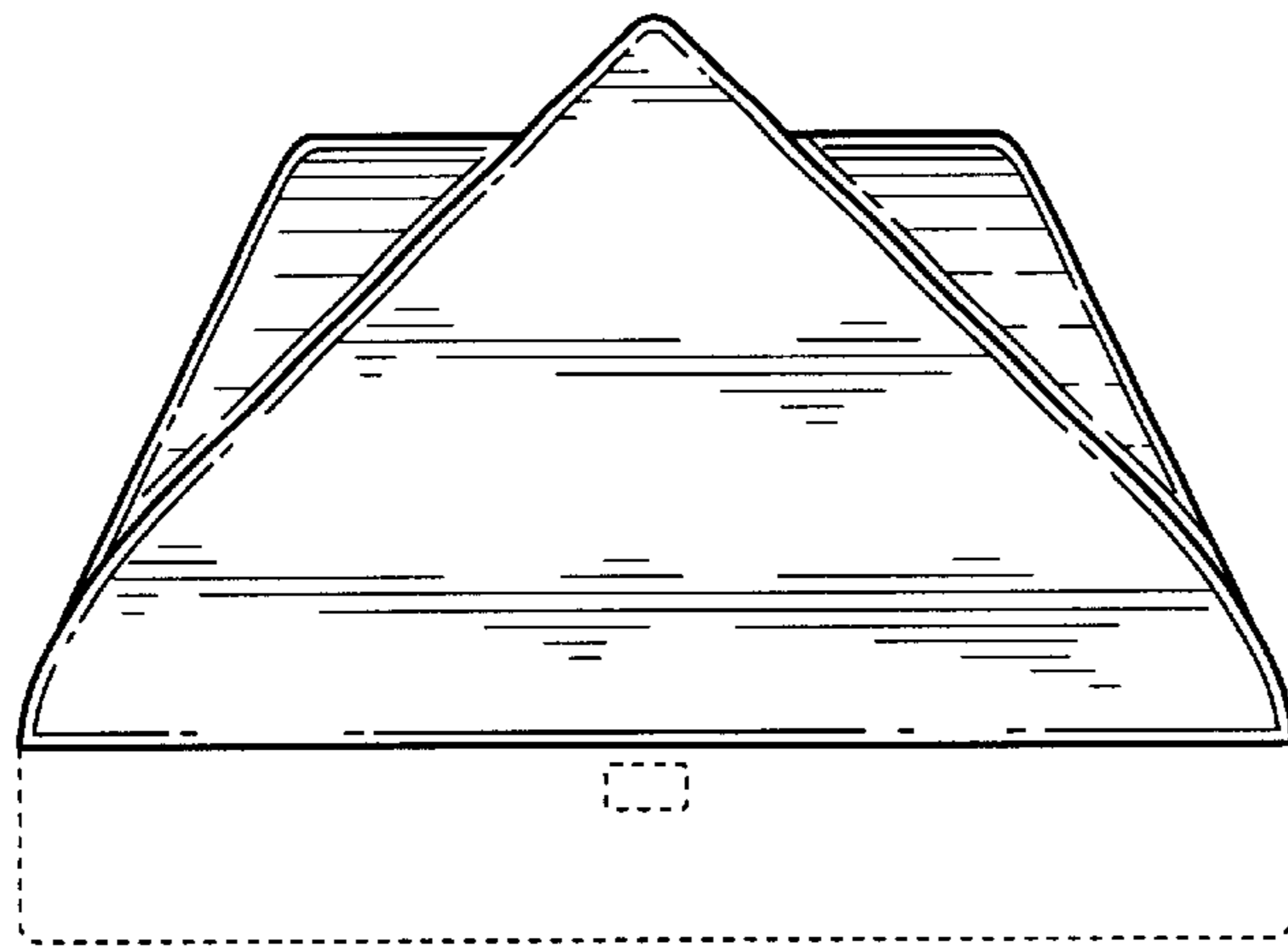


FIG. 8.

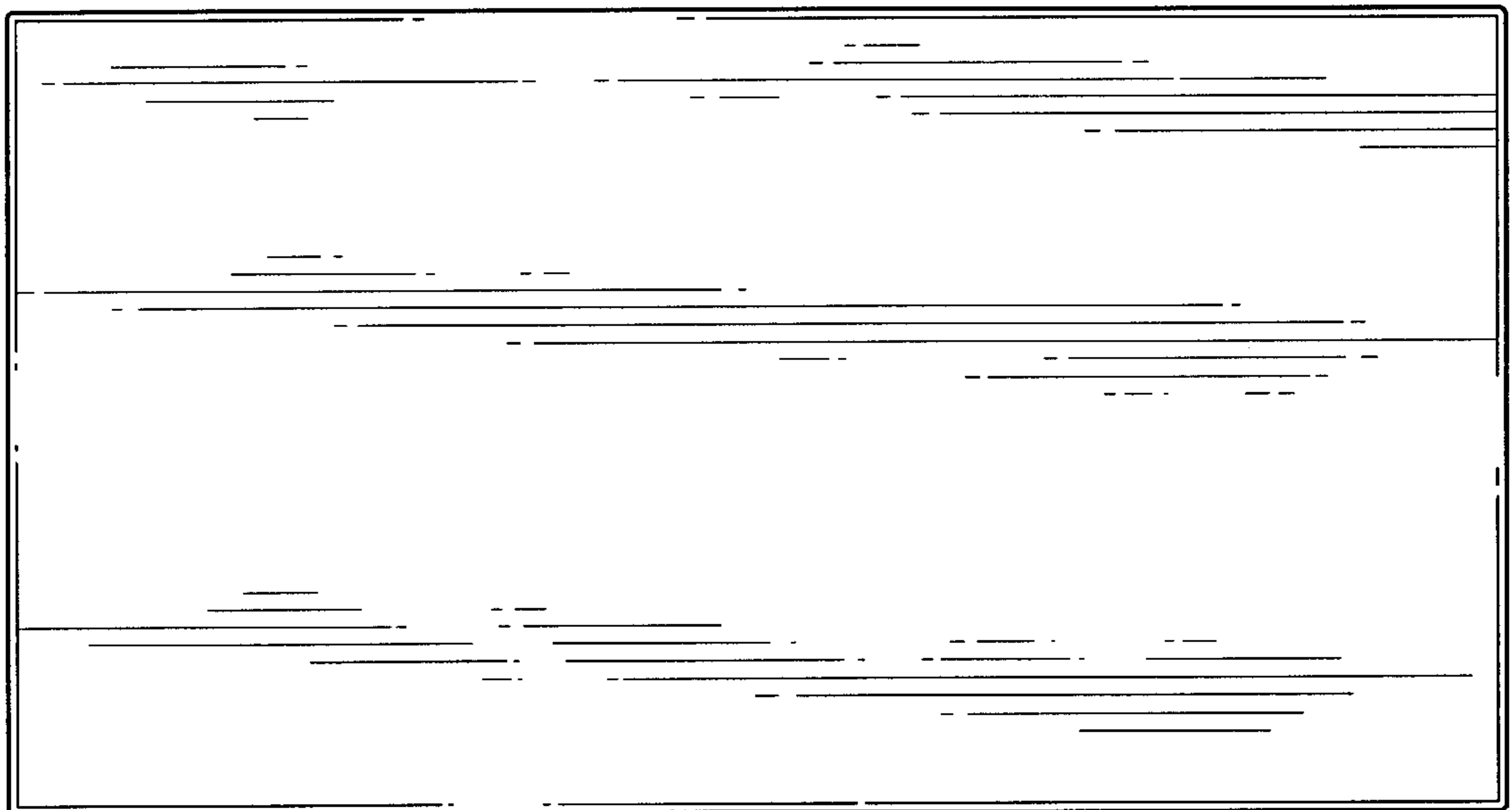


FIG. 9.

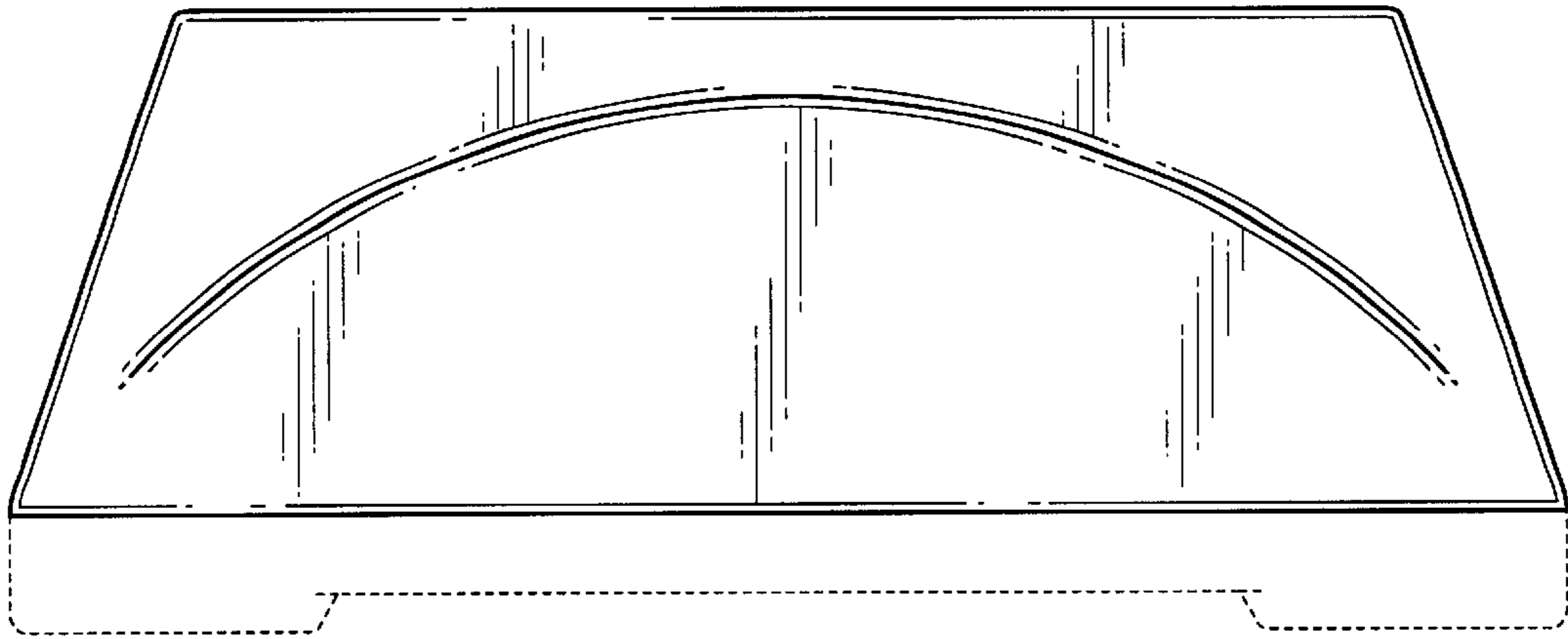


FIG. 10.

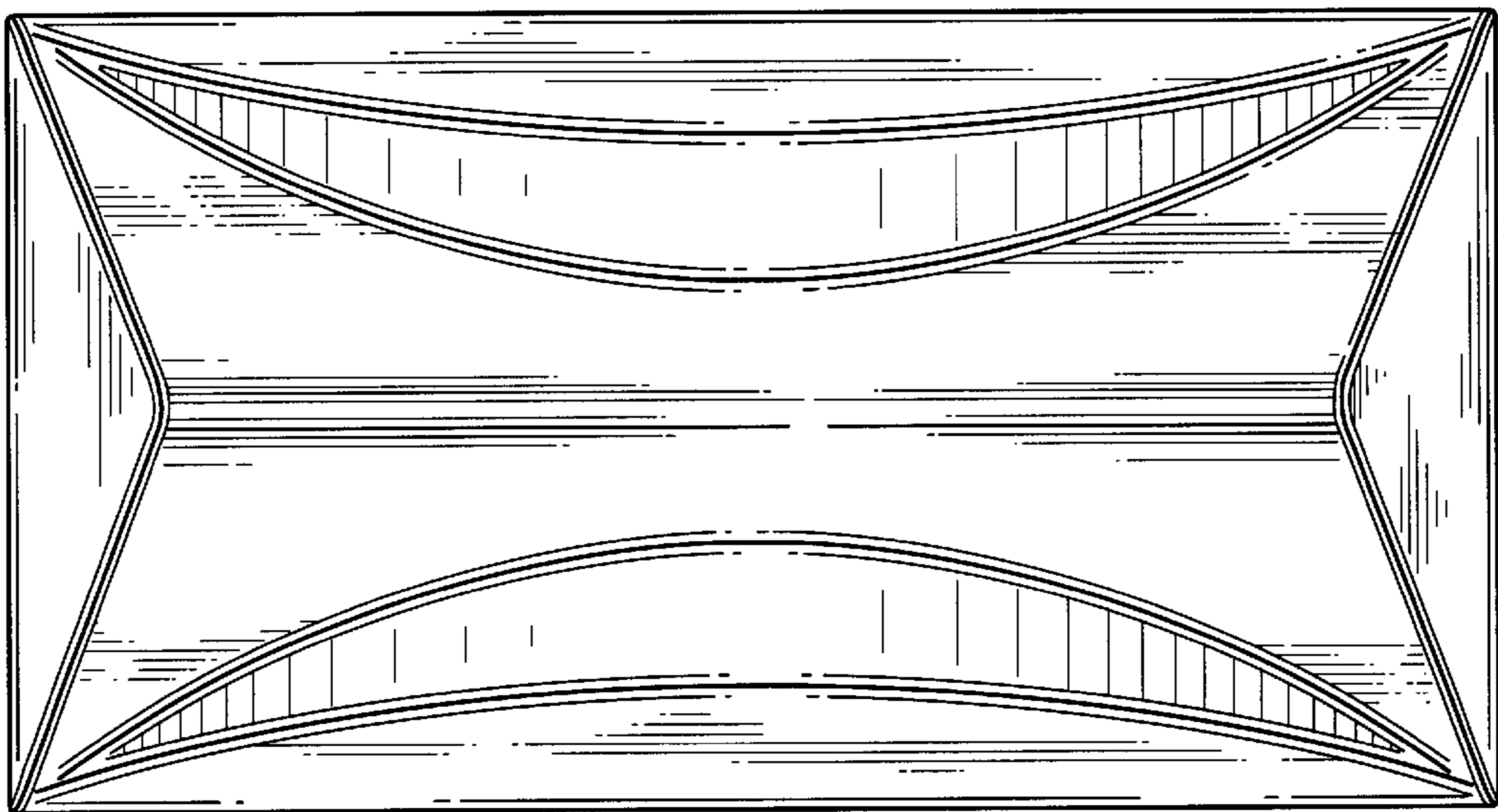


FIG. 11.

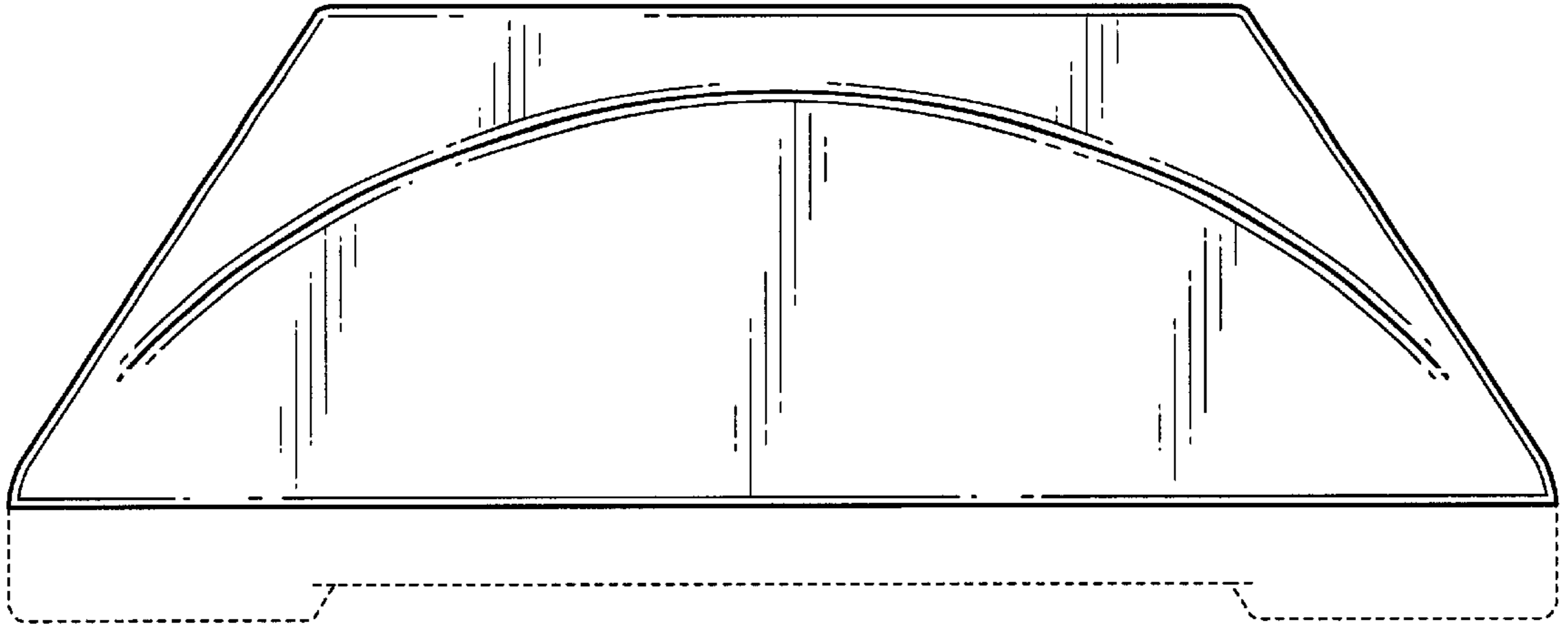


FIG. 12.

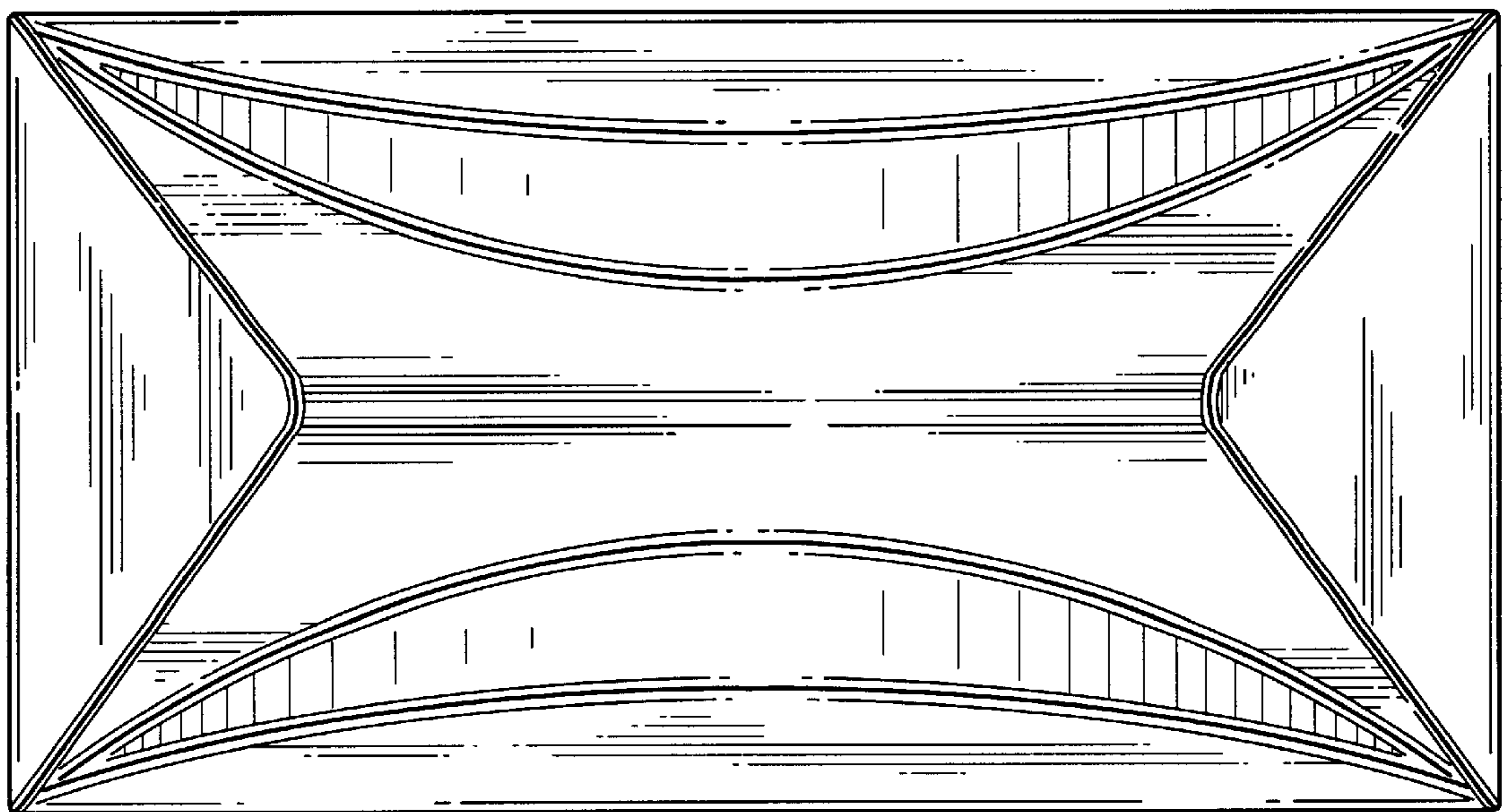


FIG. 13.

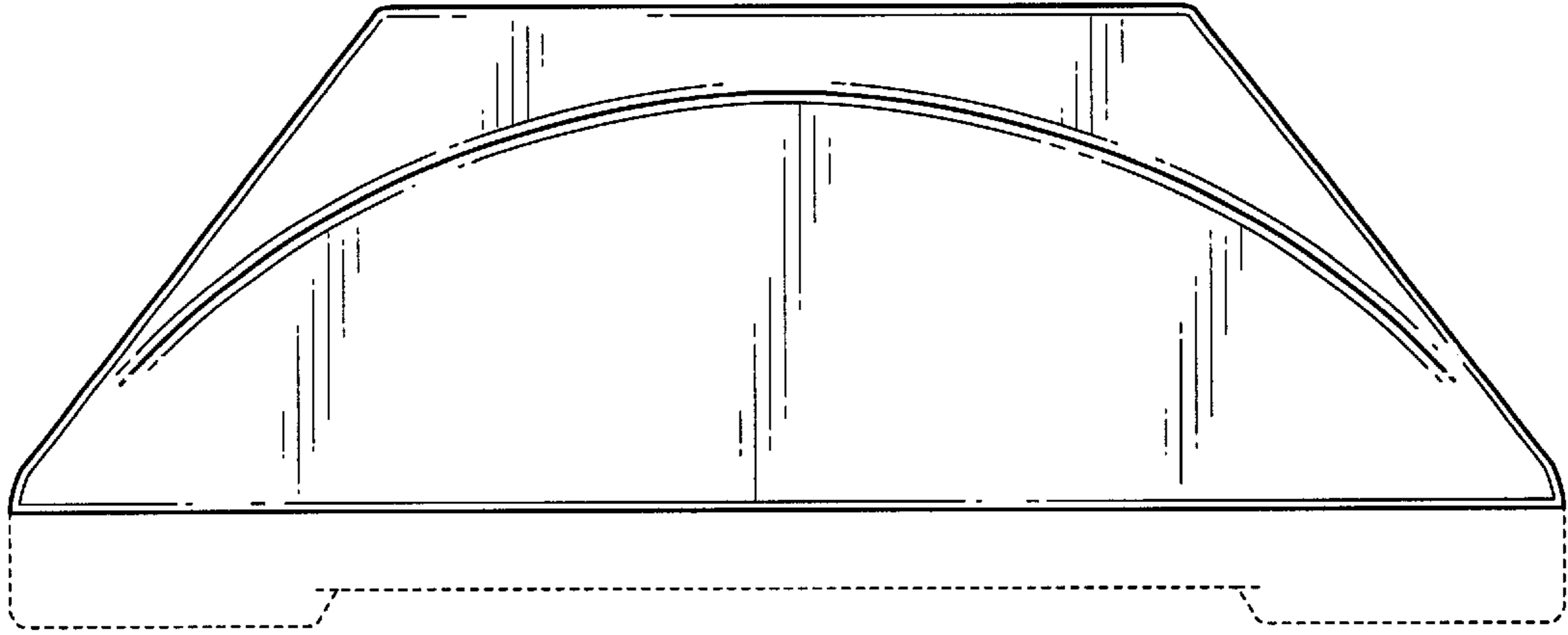


FIG. 14.

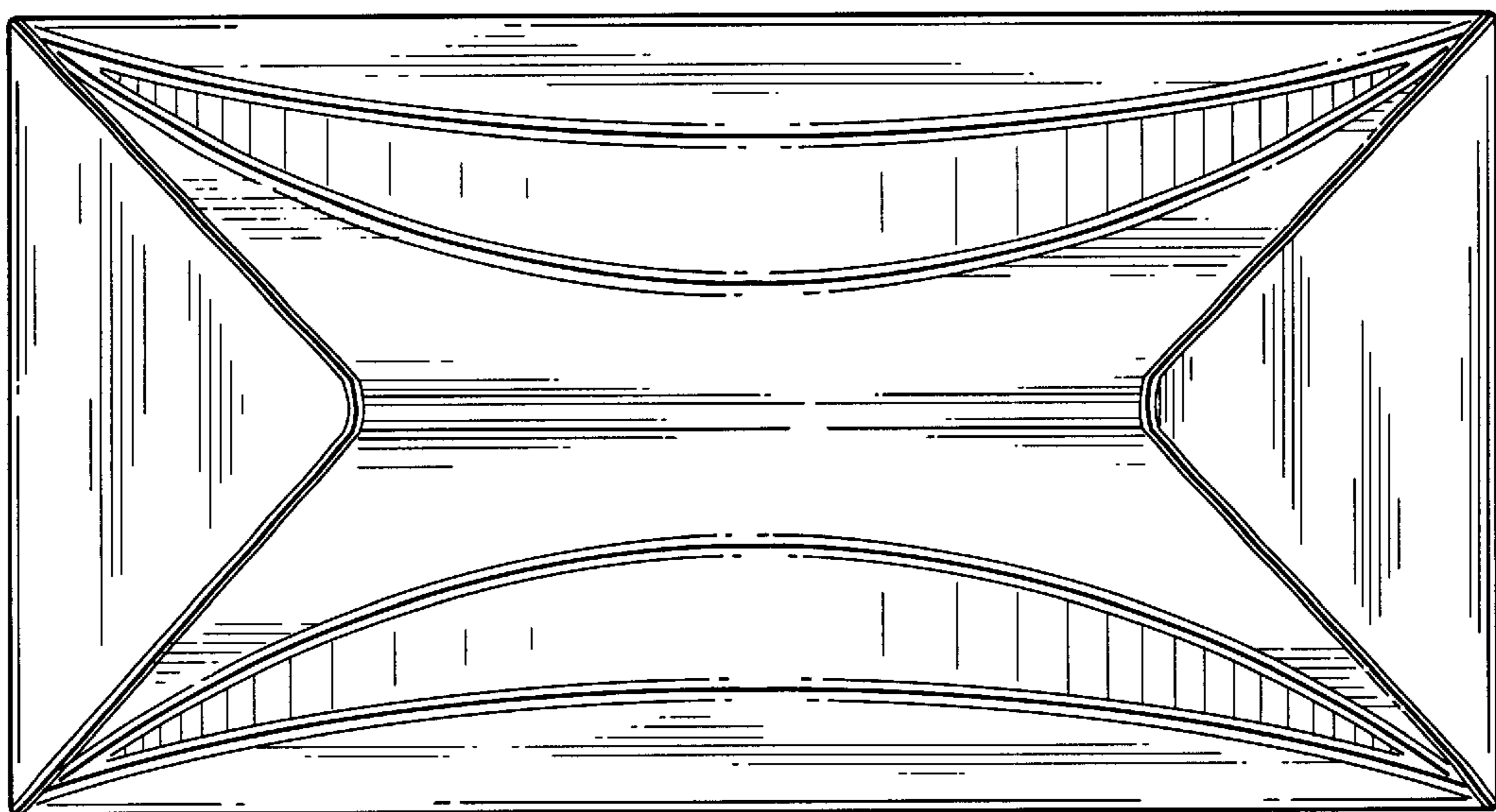


FIG. 15.