



US00D447760B1

(12) **United States Design Patent**  
**Lantz**

(10) **Patent No.:** **US D447,760 S**

(45) **Date of Patent:** **\*\* Sep. 11, 2001**

- (54) **VIEWER SHADE FOR CAMERA**
- (76) Inventor: **Steven T. Lantz**, 13620 Bass Trail,  
Grass Valley, CA (US) 95945
- (\*\*) Term: **14 Years**
- (21) Appl. No.: **29/118,945**
- (22) Filed: **Feb. 17, 2000**
- (51) **LOC (7) Cl.** ..... **16-05**
- (52) **U.S. Cl.** ..... **D16/237; D16/219**
- (58) **Field of Search** ..... **D16/218-220;**  
348/373-375; 359/600, 610; 396/373, 535,  
537, 544

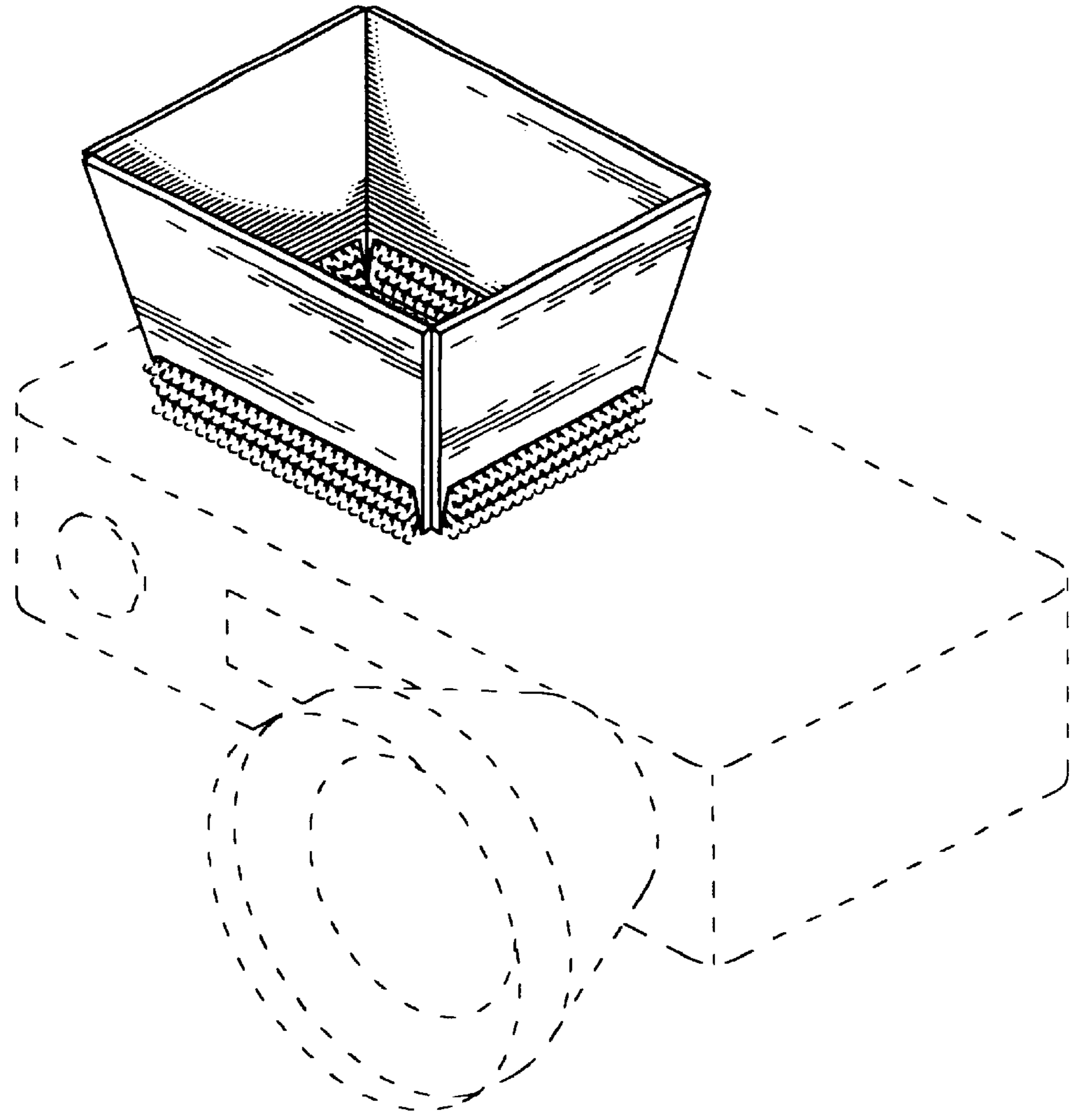
- (56) **References Cited**
- U.S. PATENT DOCUMENTS**
- D. 208,593 \* 9/1967 Conner et al. .... D16/220
- 3,274,910 \* 9/1966 Williams ..... D16/219
- 4,729,648 \* 3/1988 Armstrong ..... 359/610

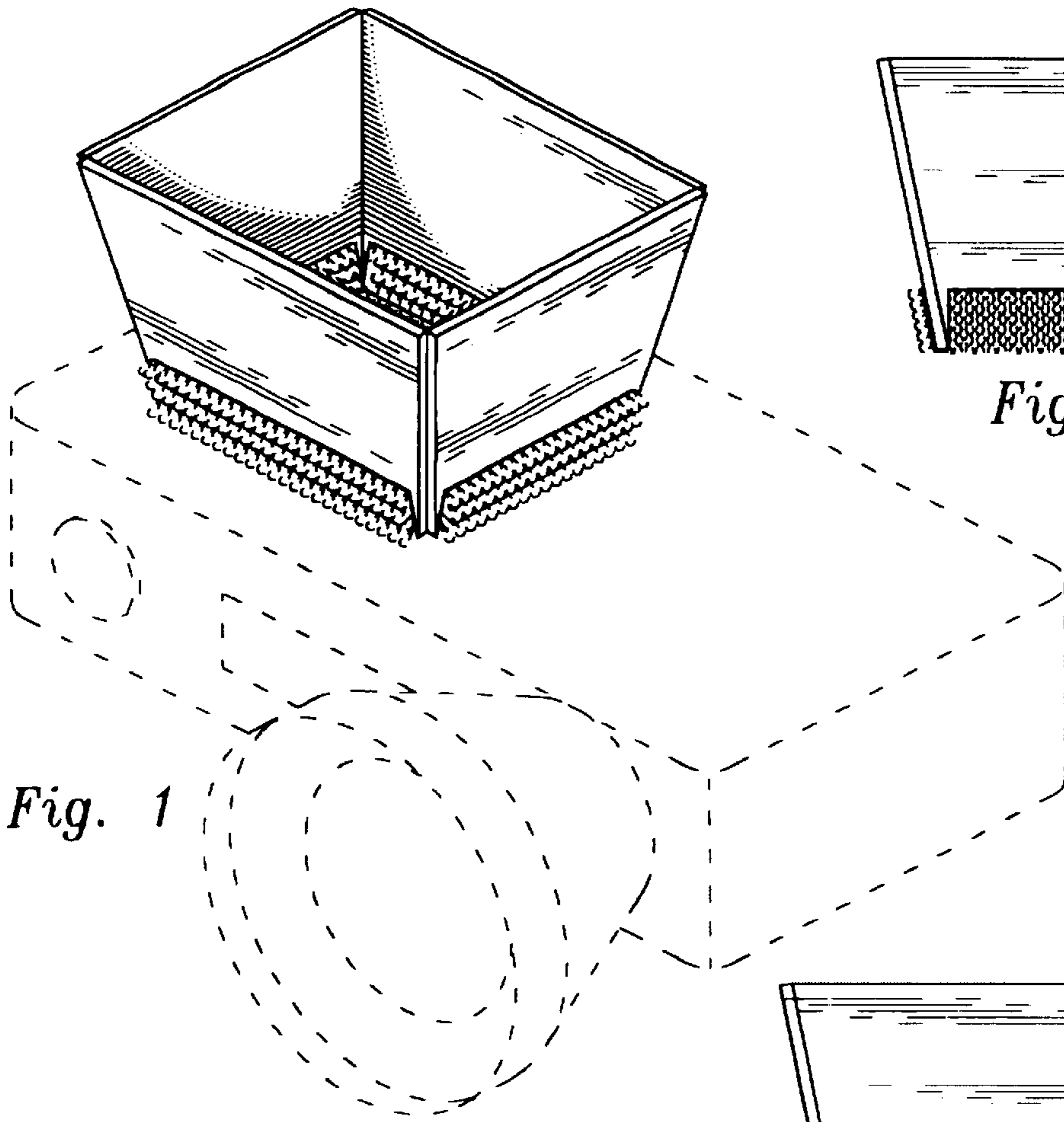
5,073,789 \* 12/1991 Mumpower ..... 396/544  
 \* cited by examiner  
*Primary Examiner*—Adir Aronovich  
 (74) *Attorney, Agent, or Firm*—Brian C. Kelly

(57) **CLAIM**  
 The ornamental design for a viewer shade for camera, as shown and described.

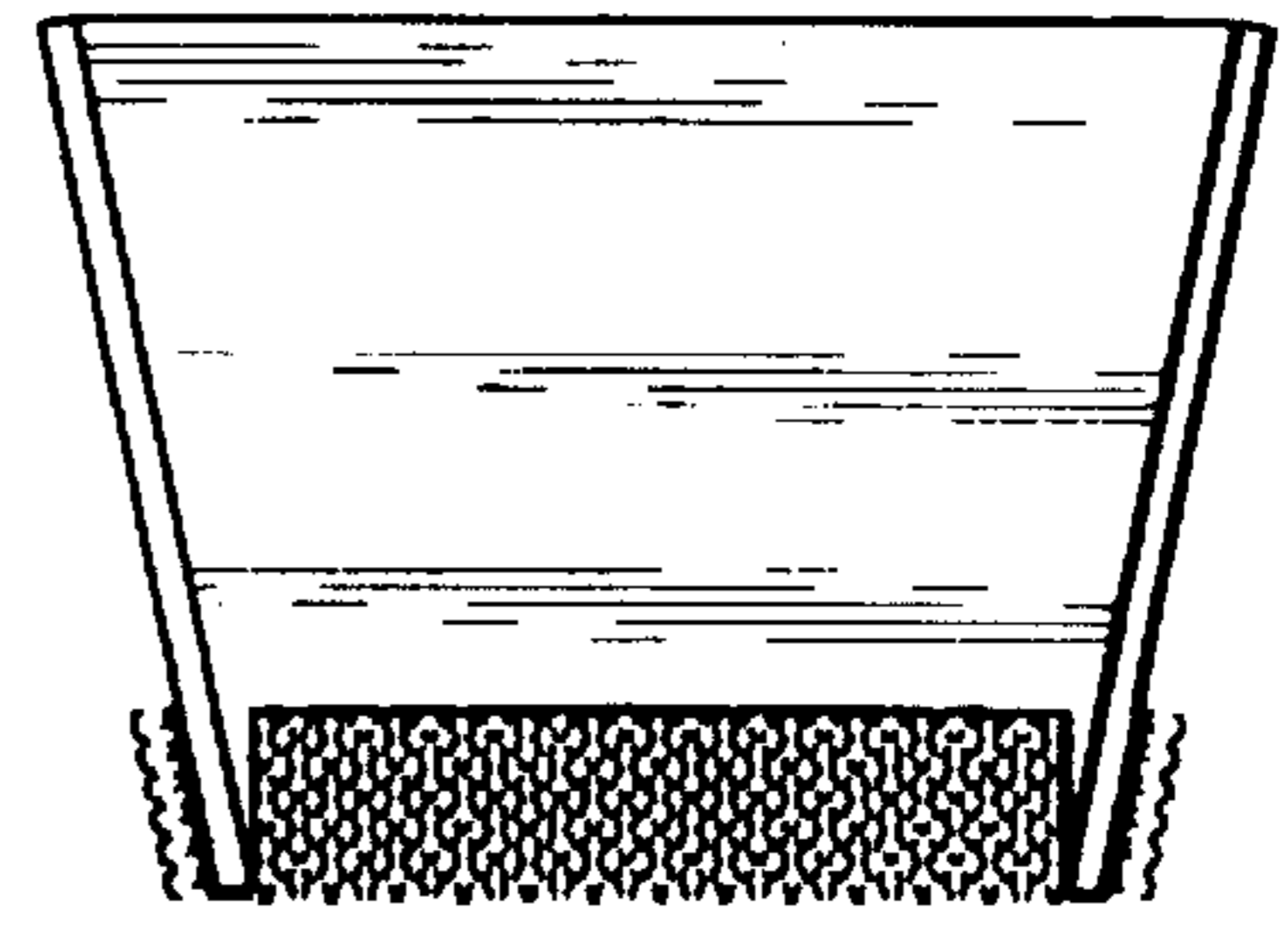
**DESCRIPTION**  
 FIG. 1 is a perspective view of a viewer shade for camera showing my new design;  
 FIG. 2 is a side elevational view thereof, the undisclosed opposite side being a mirror image;  
 FIG. 3 is a front elevational view thereof, the undisclosed rear view being a mirror image;  
 FIG. 4 is a top plan view of the viewer shade; and,  
 FIG. 5 is a bottom plan view of the viewer shade.  
 The broken line showing of a camera is for illustrative purposes only and forms no part of the claimed design.

**1 Claim, 1 Drawing Sheet**

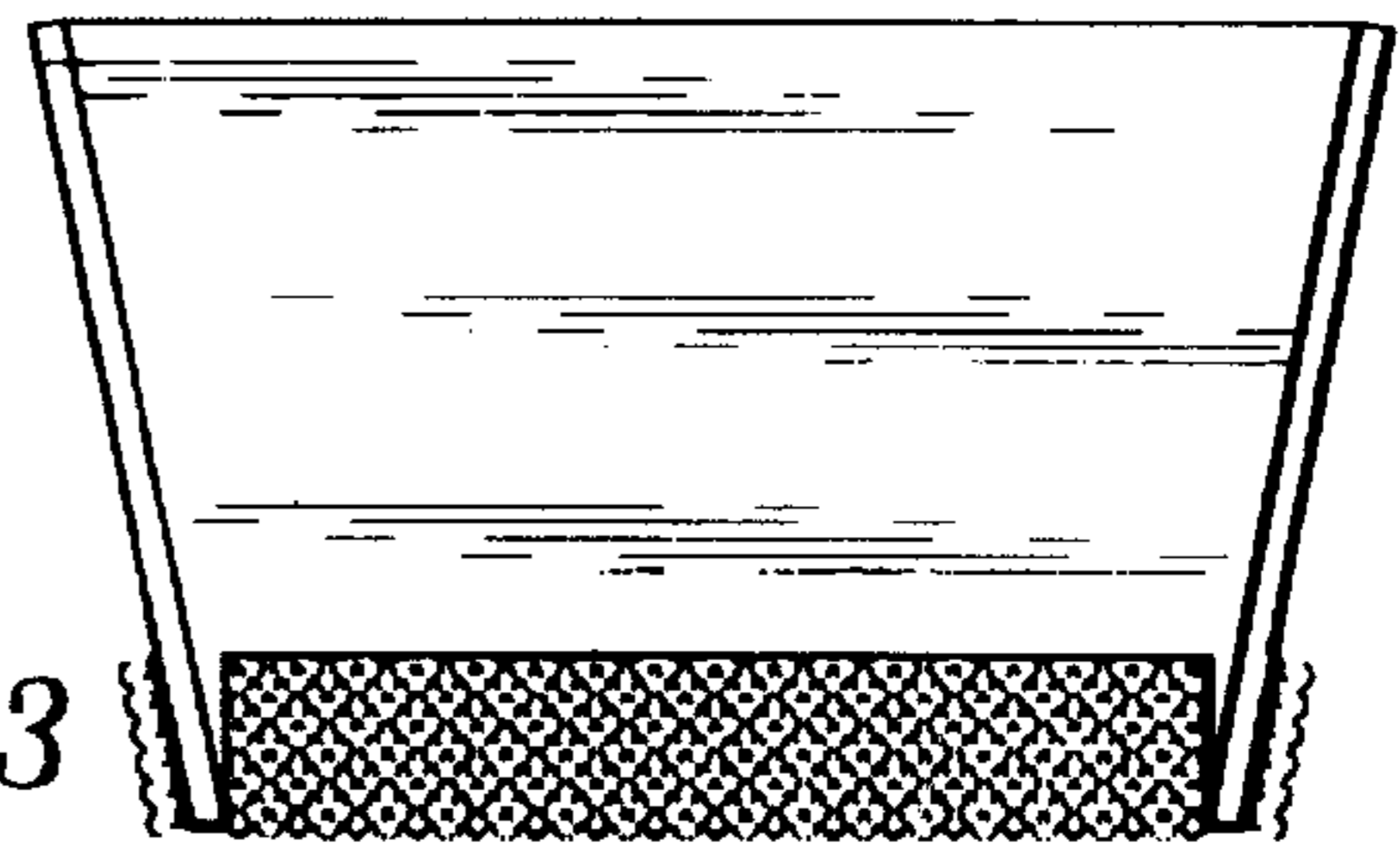




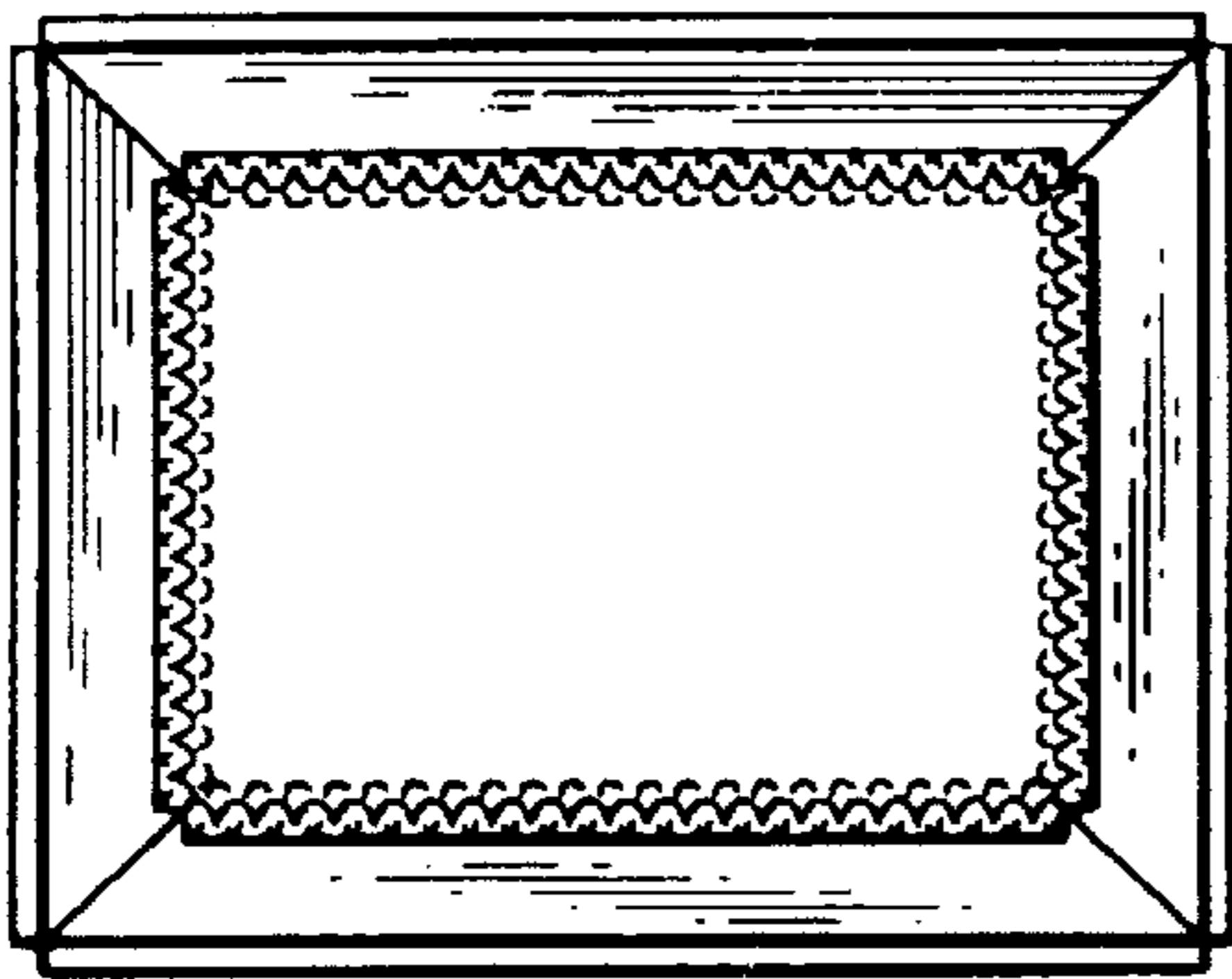
*Fig. 1*



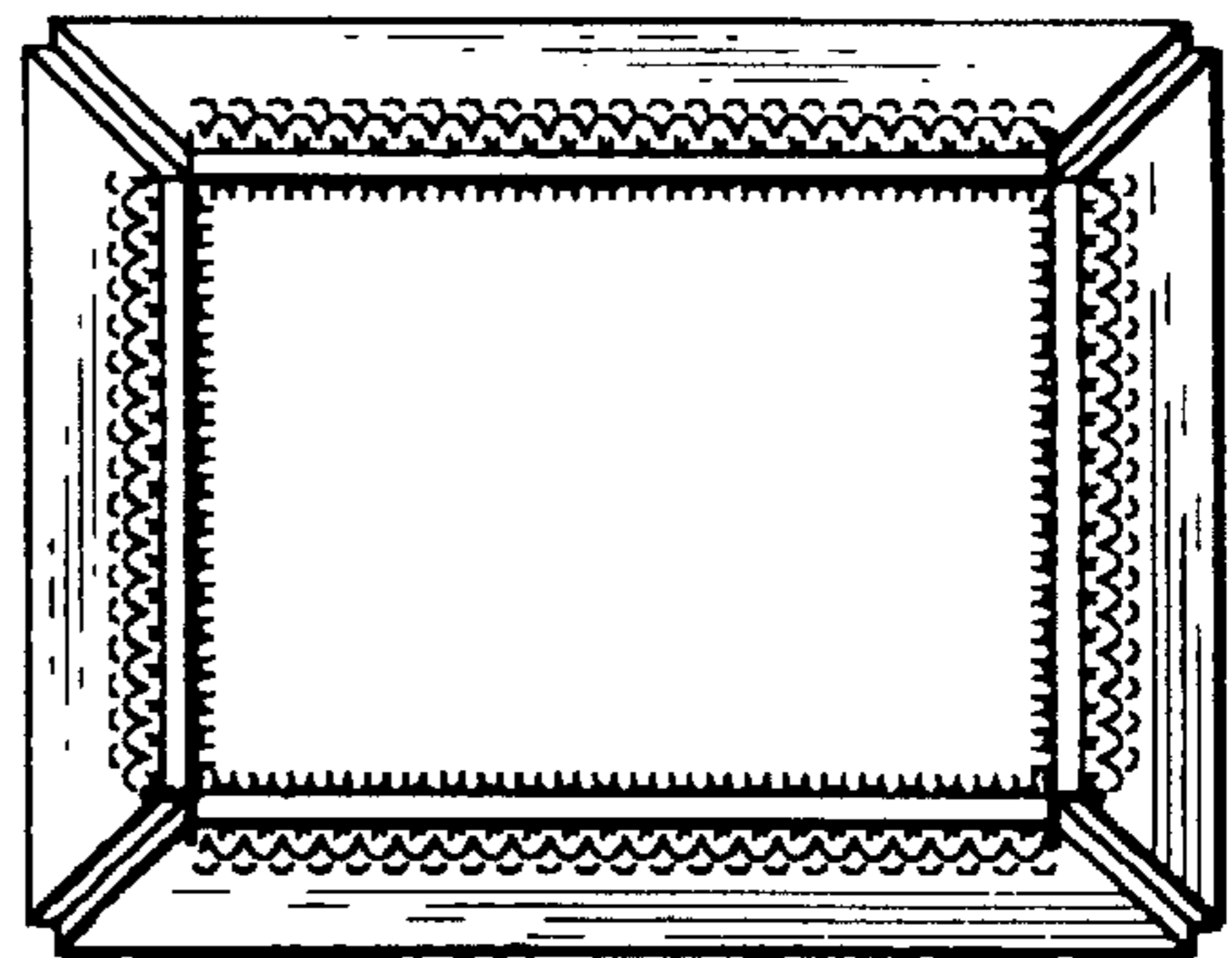
*Fig. 2*



*Fig. 3*



*Fig. 4*



*Fig. 5*