



US00D447759B1

(12) **United States Design Patent**
Jin

(10) **Patent No.:** **US D447,759 S**

(45) **Date of Patent:** **** Sep. 11, 2001**

(54) **CAMERA**

(75) **Inventor:** **Byung Wook Jin, Seoul (KR)**

(73) **Assignee:** **Samsung Techwin Co., Ltd.,
Changwon (KR)**

(**) **Term:** **14 Years**

(21) **Appl. No.:** **29/126,927**

(22) **Filed:** **Jul. 26, 2000**

(30) **Foreign Application Priority Data**

Feb. 3, 2000 (KR) 00 2820

(51) **LOC (7) Cl.** **16-01**

(52) **U.S. Cl.** **D16/209**

(58) **Field of Search** D16/200-206,
D16/208, 209, 217, 218; 396/535-541

(56) **References Cited**

U.S. PATENT DOCUMENTS

D. 359,976 * 7/1995 Matsuda D16/209

D. 400,550 * 11/1998 Inaba D16/209
D. 431,583 * 10/2000 Matsuda D16/202
D. 431,829 * 10/2000 Fujii D16/209
D. 431,830 * 10/2000 Koinuma D16/209
5,555,052 * 9/1996 Pearson 396/538

* cited by examiner

Primary Examiner—Adir Aronovich

(74) *Attorney, Agent, or Firm*—Dellett and Walters

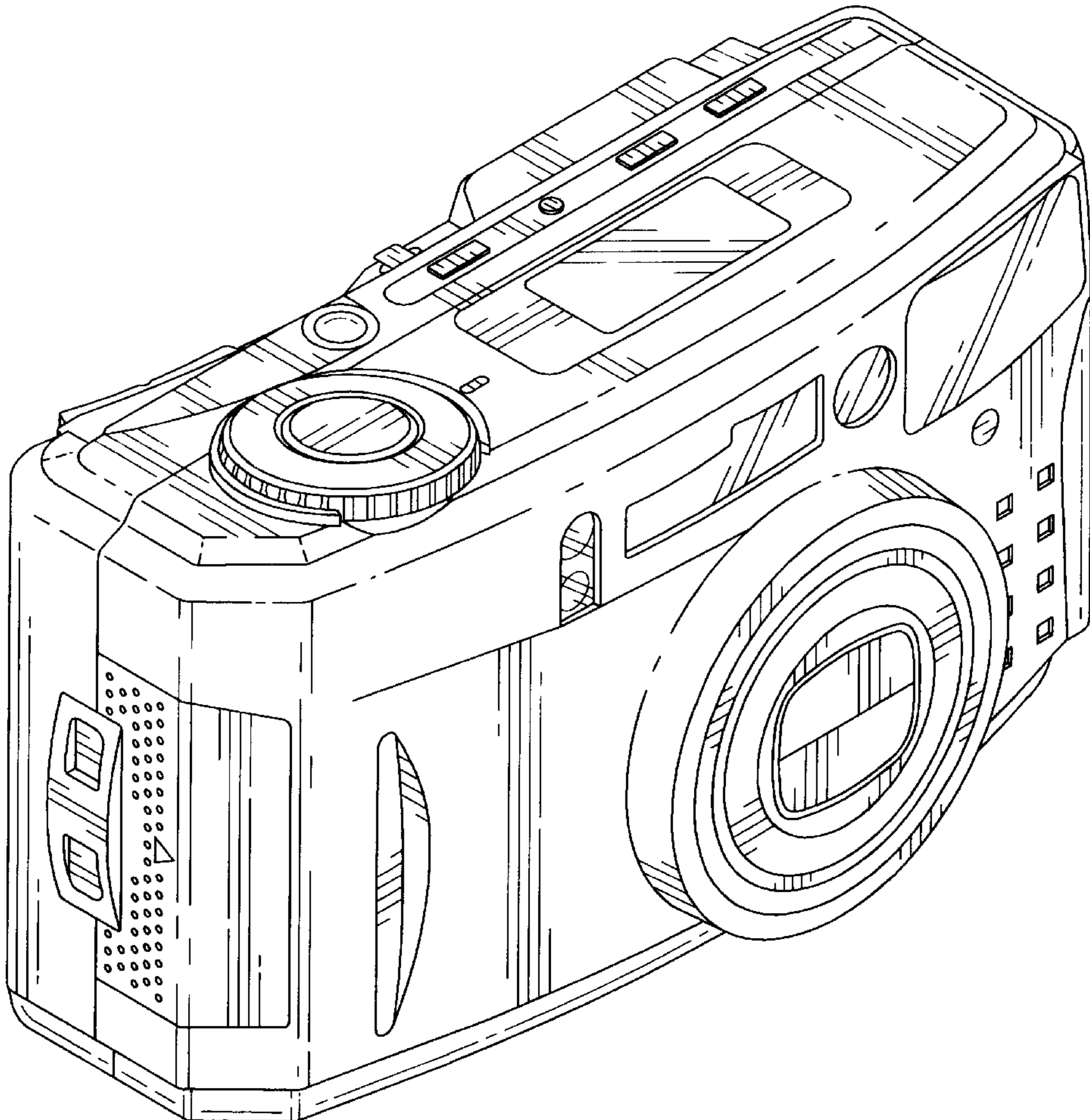
(57) **CLAIM**

The ornamental design for a camera, as shown and described.

DESCRIPTION

FIG. 1 is a perspective view of the design for a camera;
FIG. 2 is a front view of the design of FIG. 1;
FIG. 3 is a rear elevational view of the design of FIG. 1;
FIG. 4 is a left side view of the design of FIG. 1;
FIG. 5 is a right side view of the design of FIG. 1;
FIG. 6 is a top view of the design of FIG. 1; and,
FIG. 7 is a bottom view of the design of FIG. 1.

1 Claim, 6 Drawing Sheets



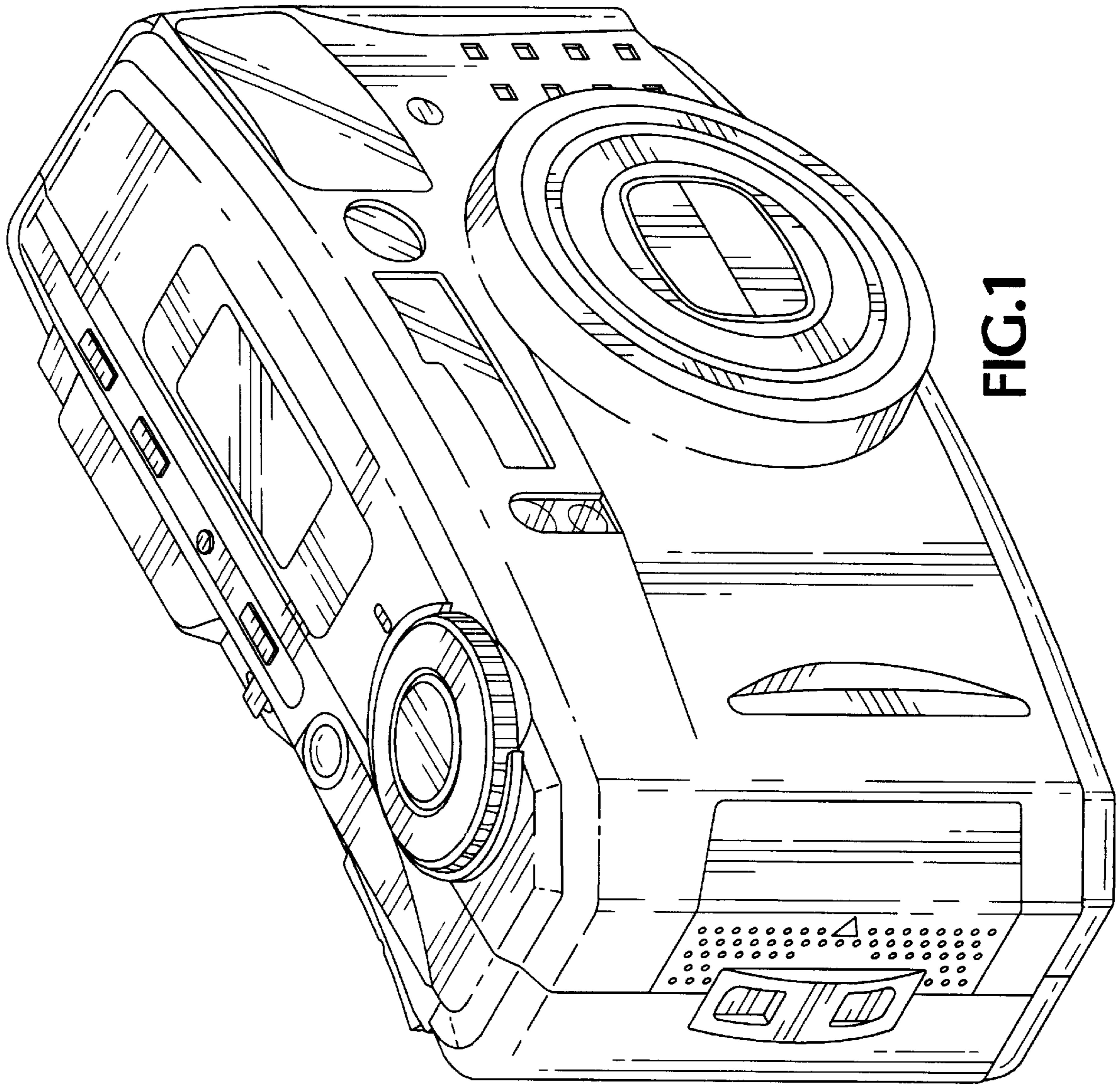


FIG. 1

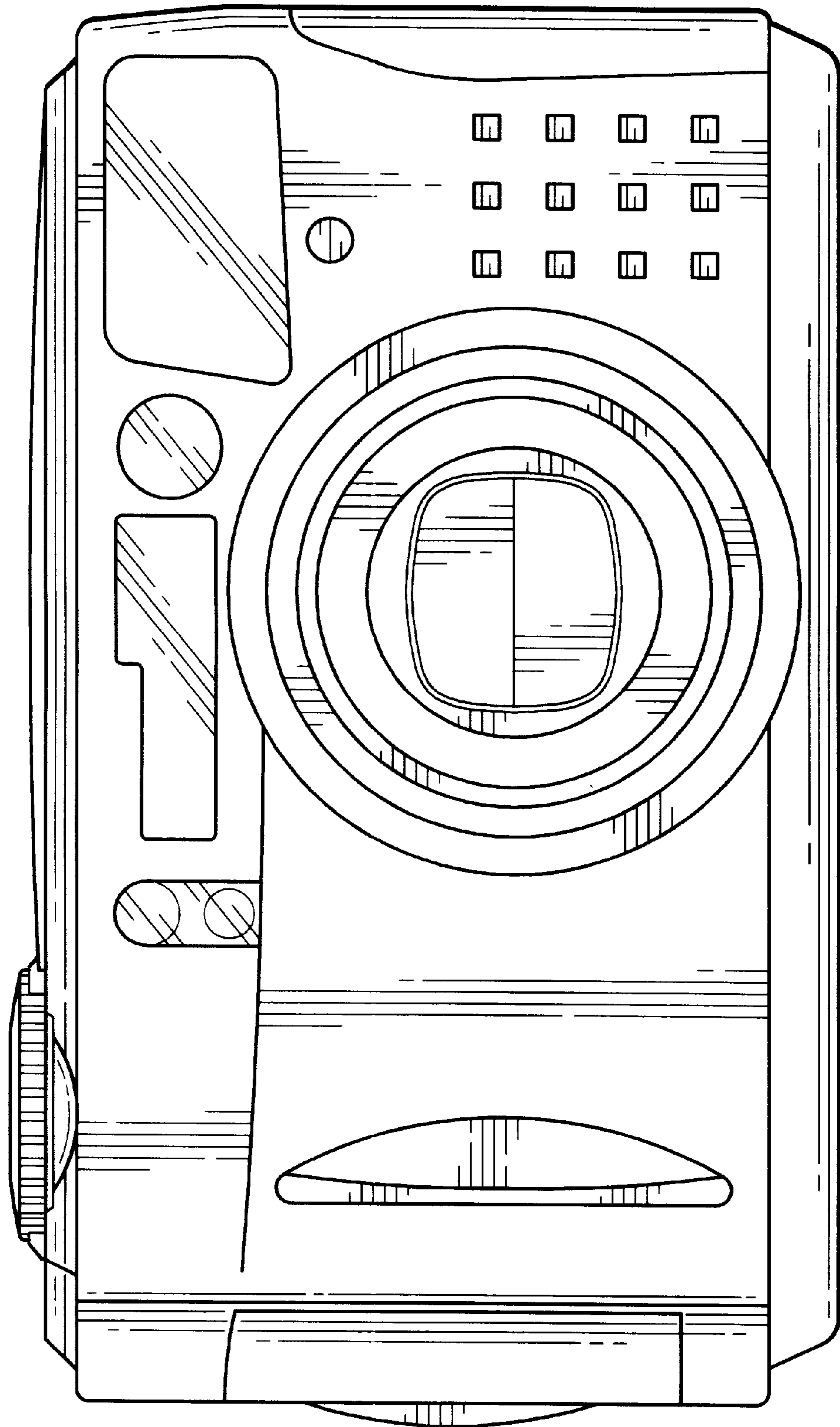


FIG. 2

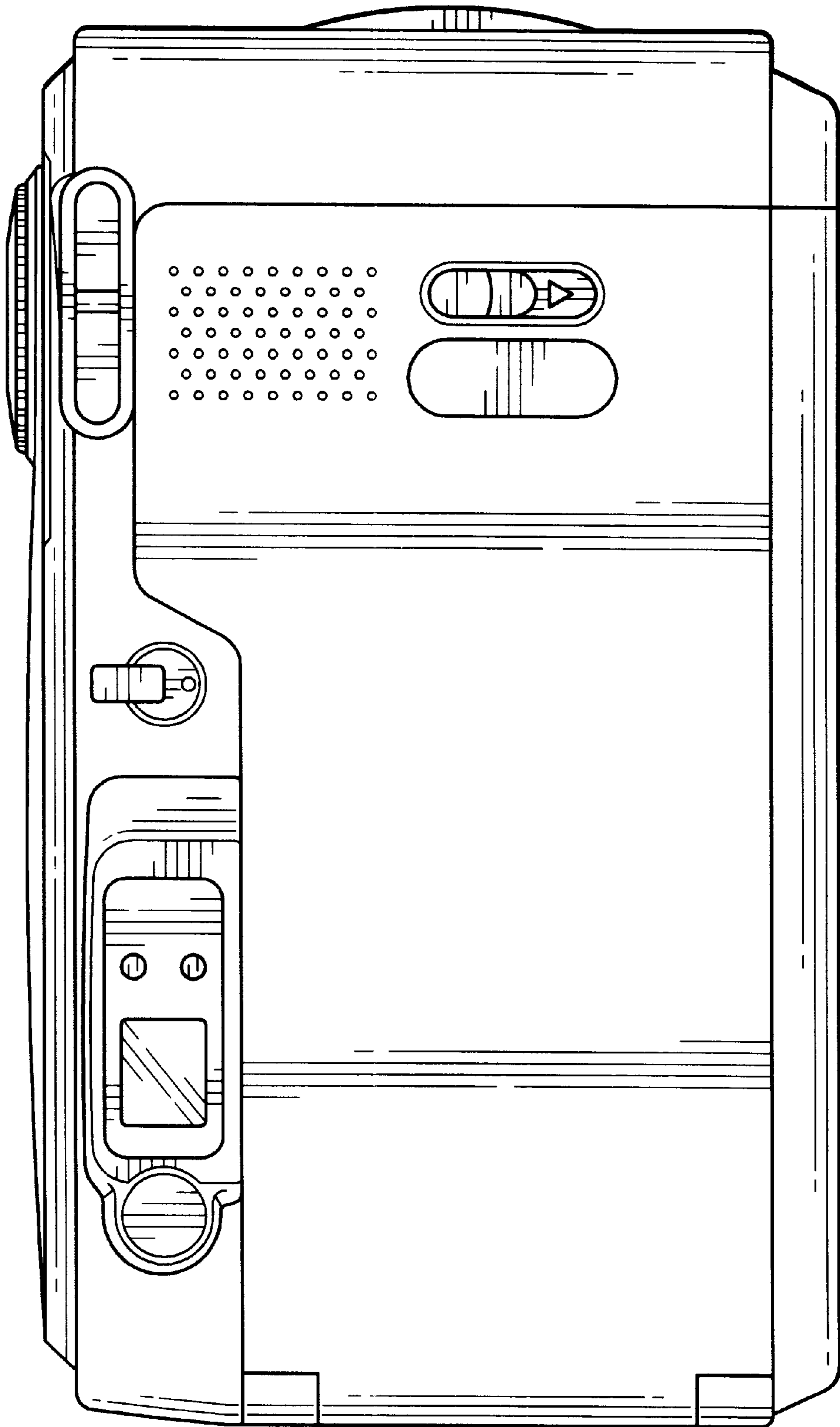


FIG.3

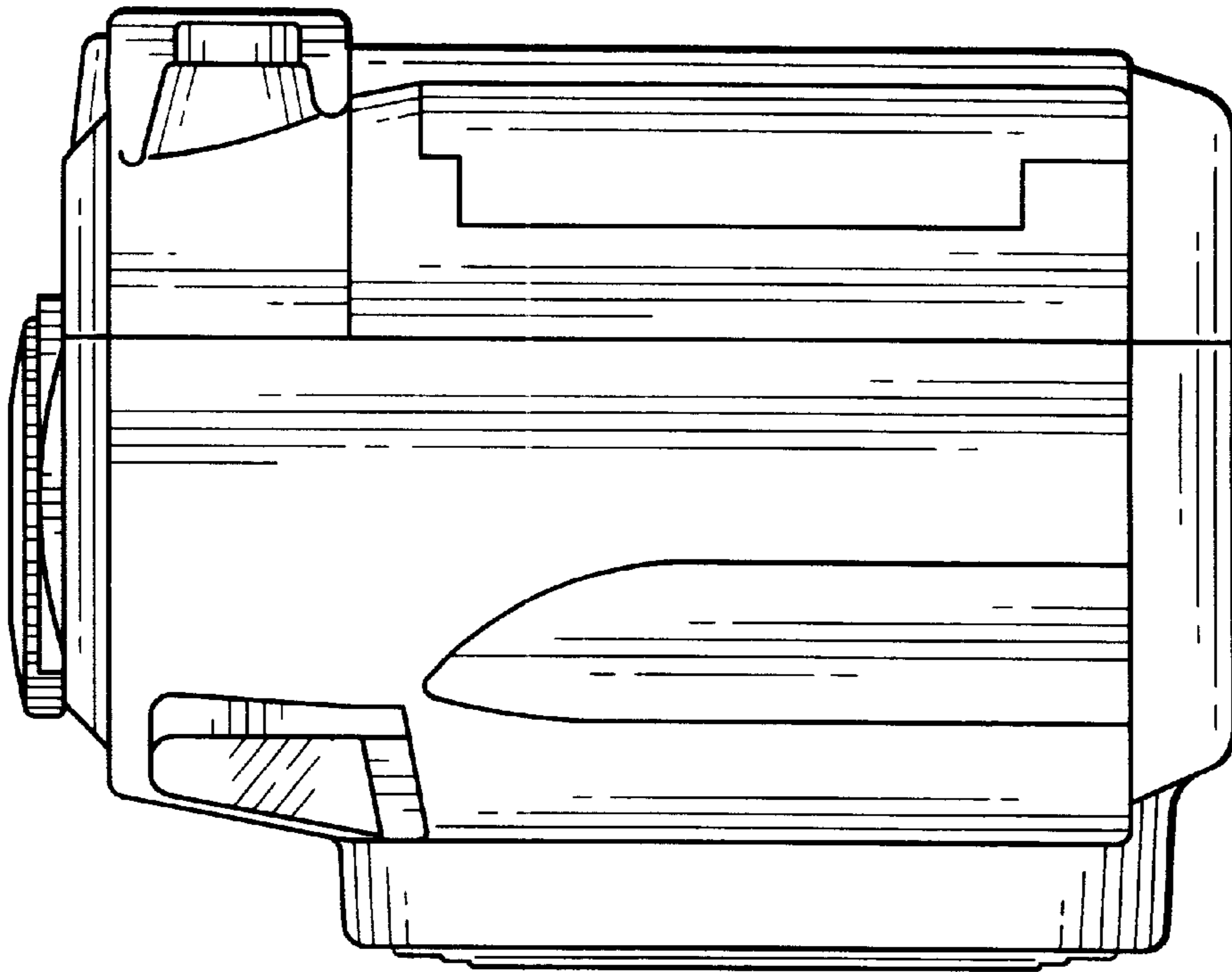


FIG.5

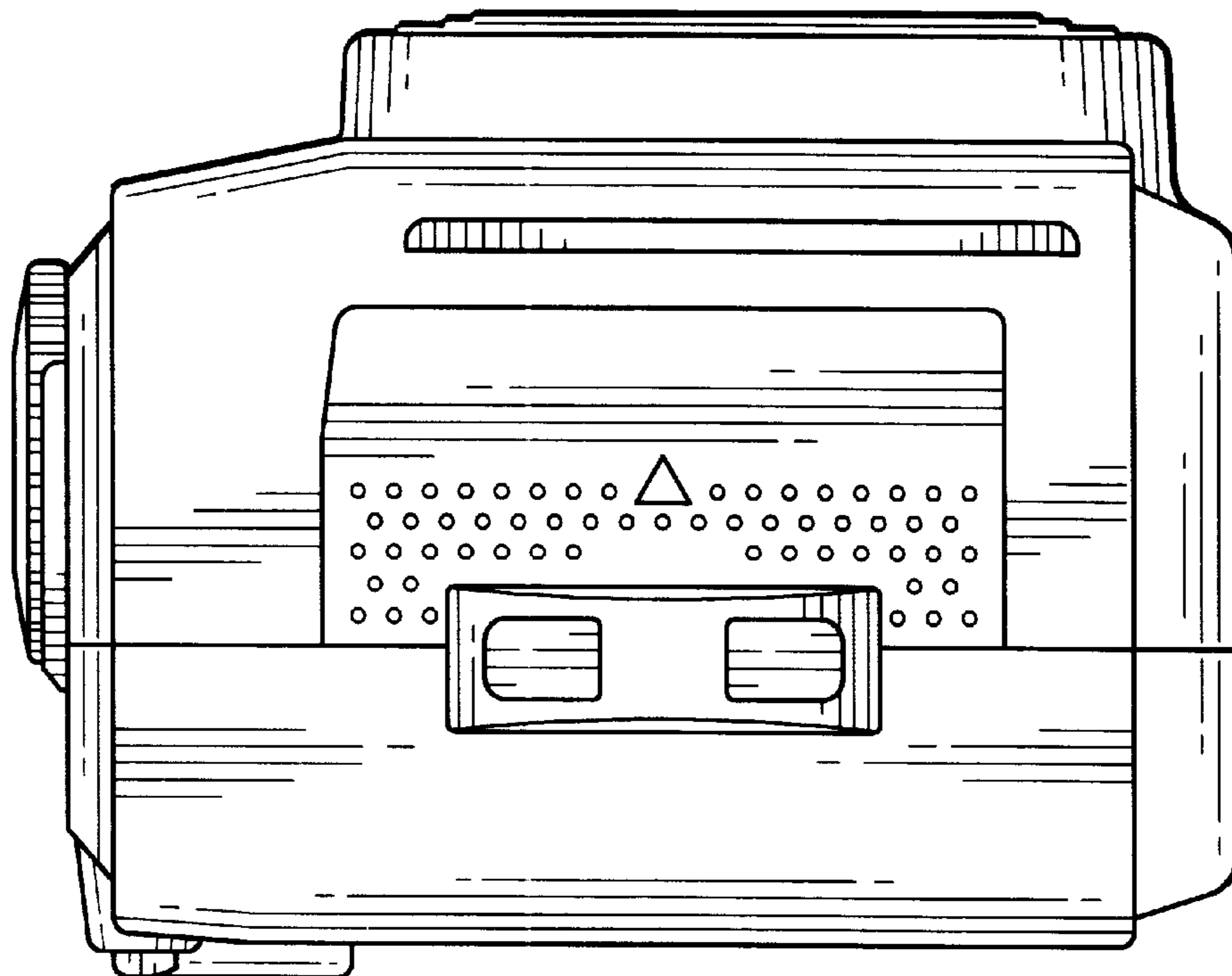


FIG.4

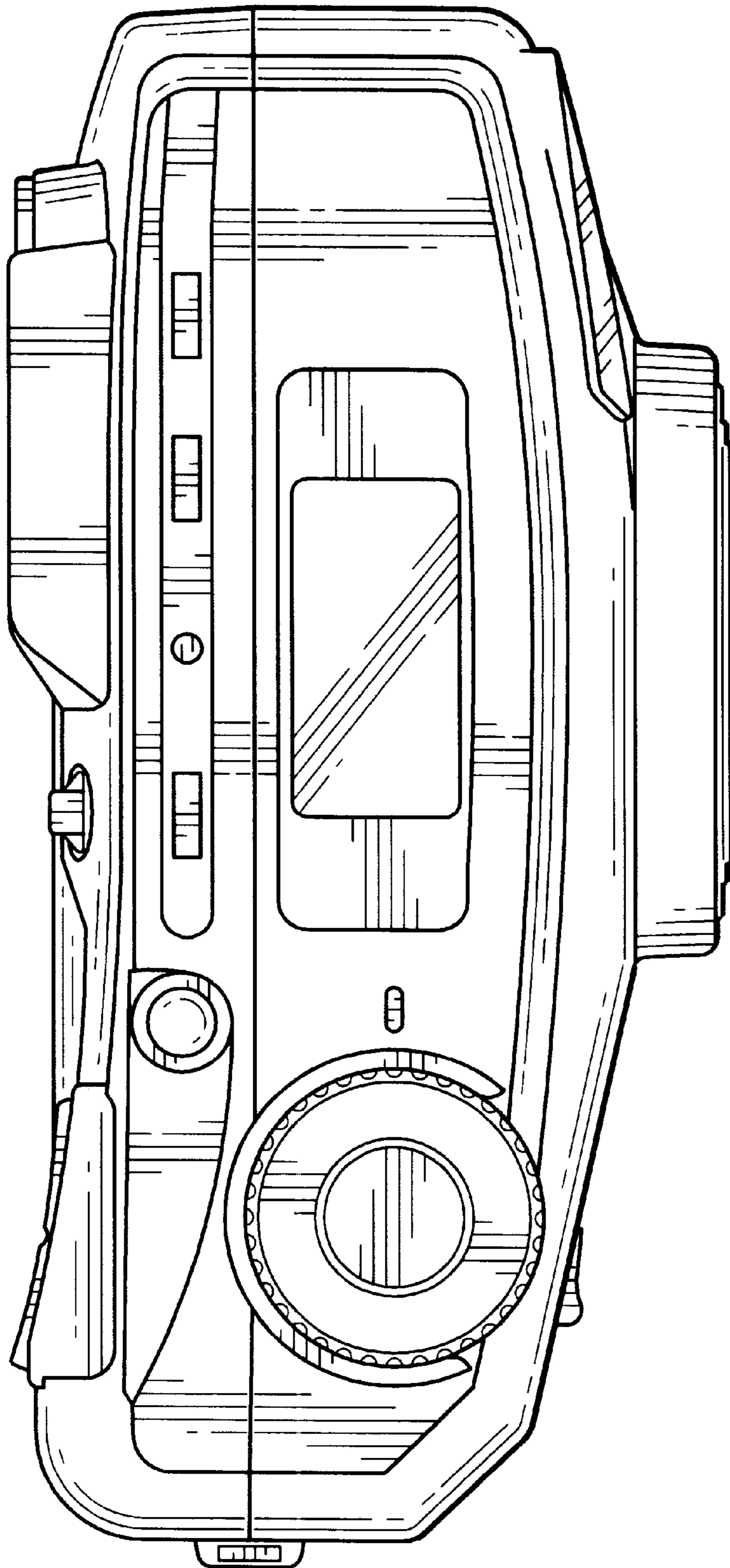


FIG.6

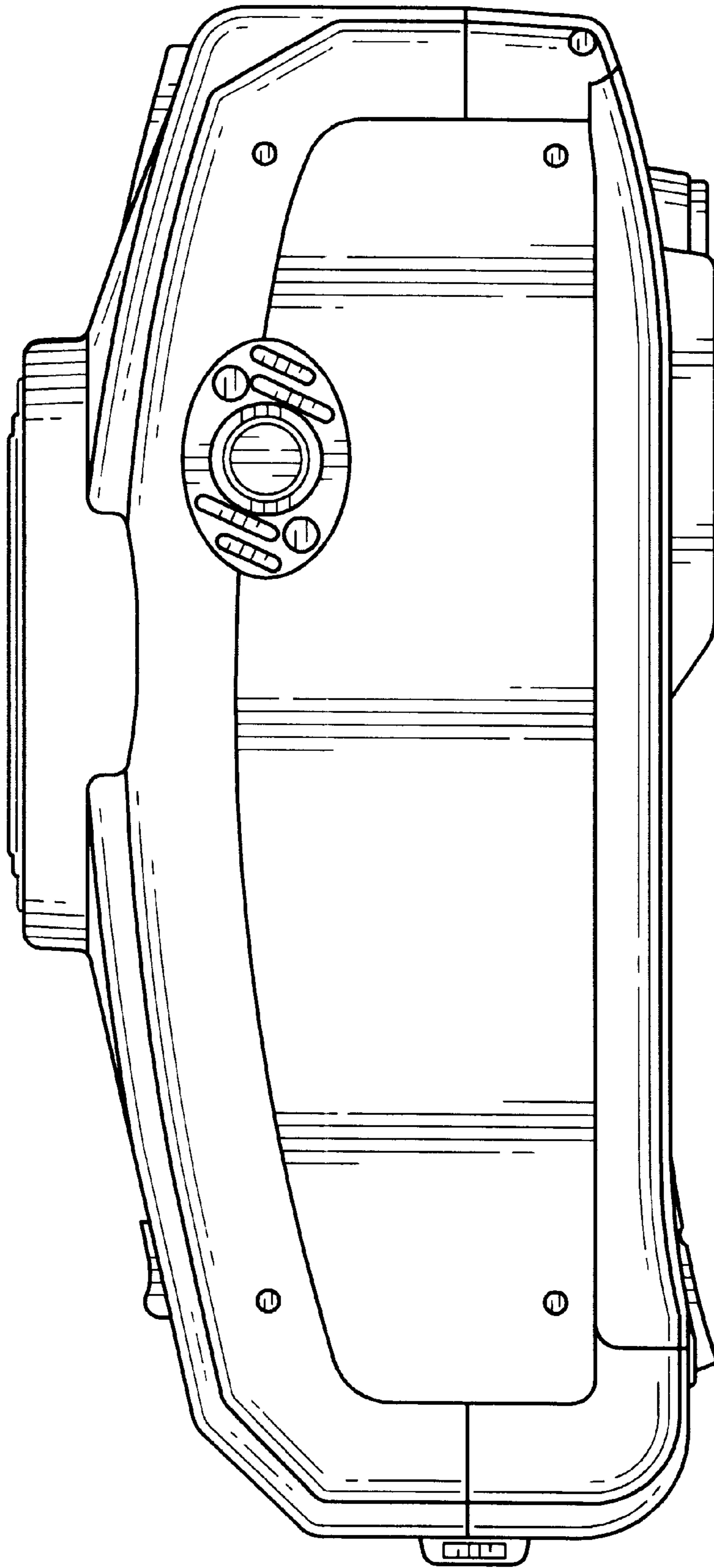


FIG.7