



US00D447758B1

(12) **United States Design Patent**
Lin et al.

(10) **Patent No.:** **US D447,758 S**

(45) **Date of Patent:** **** Sep. 11, 2001**

(54) **CAMERA**

(75) Inventors: **Hsiao-Ying Lin**, San-Chung; **Kris Verstockett**, Taipei, both of (TW)

(73) Assignee: **Primax Electronics Ltd.**, Taipei Hsien (TW)

(**) Term: **14 Years**

(21) Appl. No.: **29/135,761**

(22) Filed: **Jan. 19, 2001**

(51) **LOC (7) Cl.** **16-01**

(52) **U.S. Cl.** **D16/202; D16/203**

(58) **Field of Search** D16/200-205;
D14/130; 348/14-18, 373-376; 358/906-909.1;
396/419, 427, 535-541

(56) **References Cited**

U.S. PATENT DOCUMENTS

- D. 387,789 * 12/1997 Sumida et al. D16/202
- D. 390,244 * 2/1998 Yamakawa et al. D16/202

- D. 394,274 * 5/1998 Suzuki D16/202
- D. 396,869 * 8/1998 Yamakawa et al. D16/202
- 5,900,907 * 5/1999 Malloy et al. 348/15

* cited by examiner

Primary Examiner—Adir Aronovich

(74) *Attorney, Agent, or Firm*—Winston Hsu

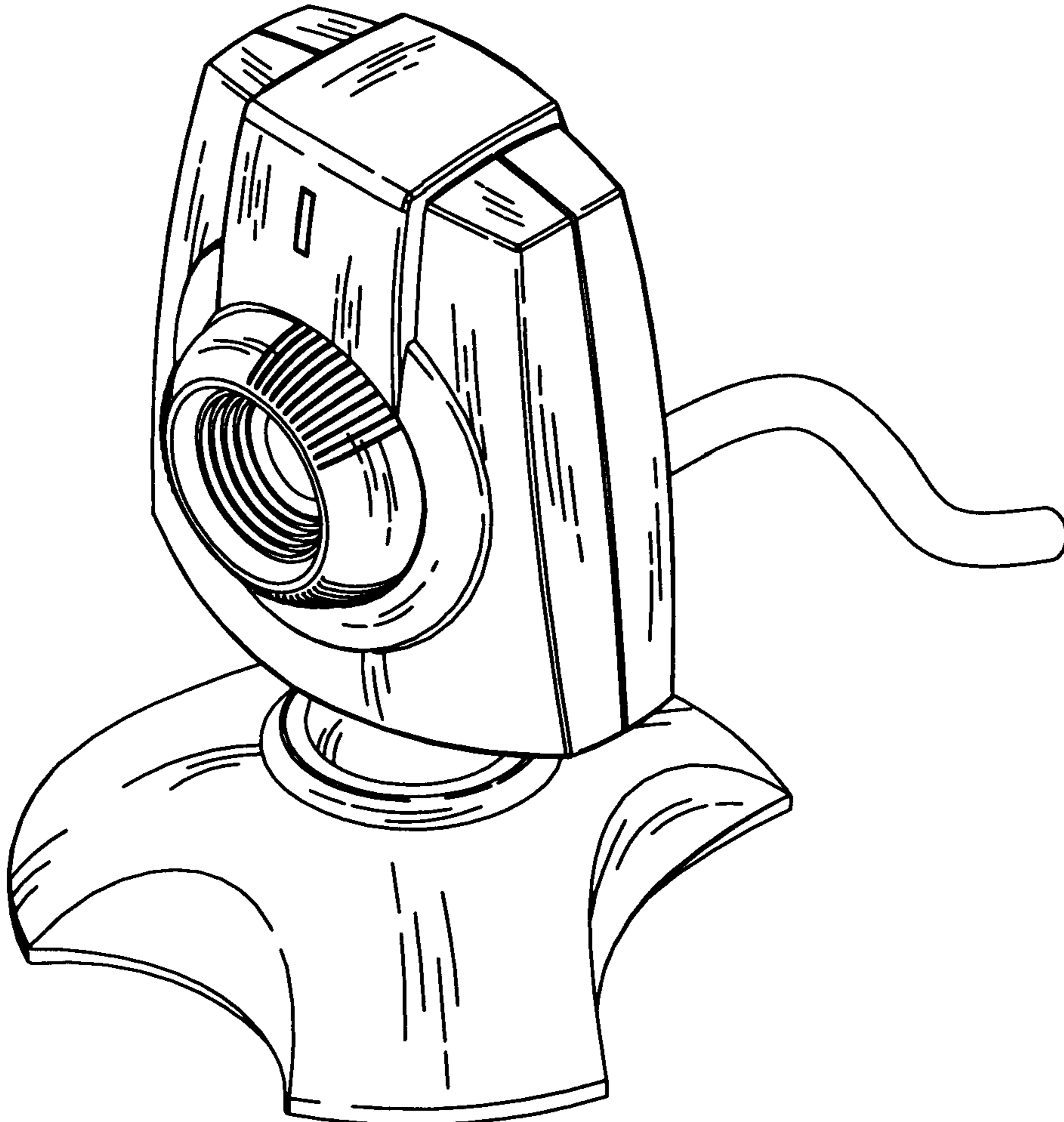
(57) **CLAIM**

The ornamental design for a camera, as shown and described.

DESCRIPTION

FIG. 1 is a front elevational view of a camera showing our new design;
 FIG. 2 is a rear elevational view thereof;
 FIG. 3 is a left side elevational view thereof;
 FIG. 4 is a right side elevational view thereof;
 FIG. 5 is a top plan view thereof;
 FIG. 6 is a bottom plan view thereof;
 FIG. 7 is a front perspective view thereof; and,
 FIG. 8 is a rear perspective view thereof.

1 Claim, 4 Drawing Sheets



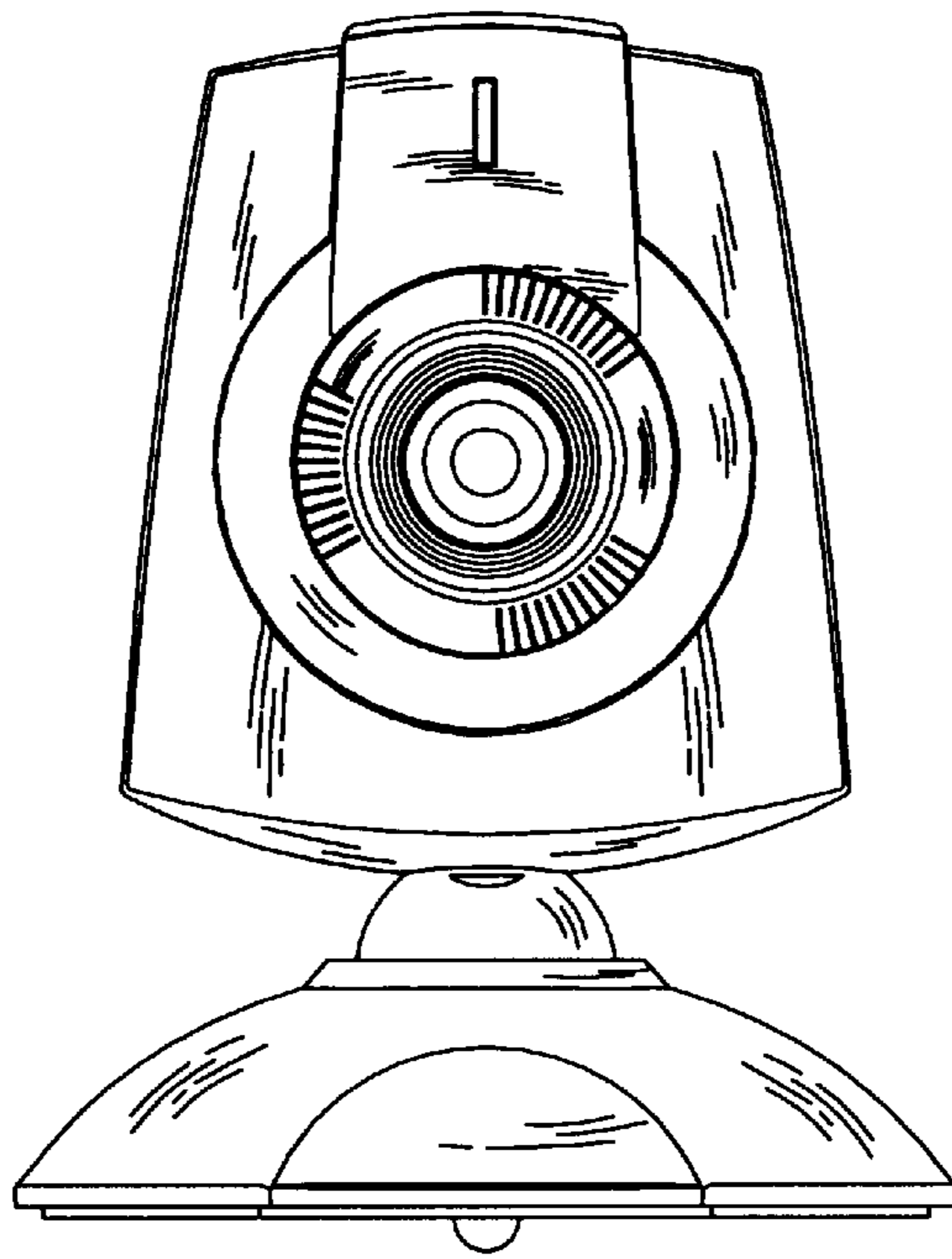


Fig. 1

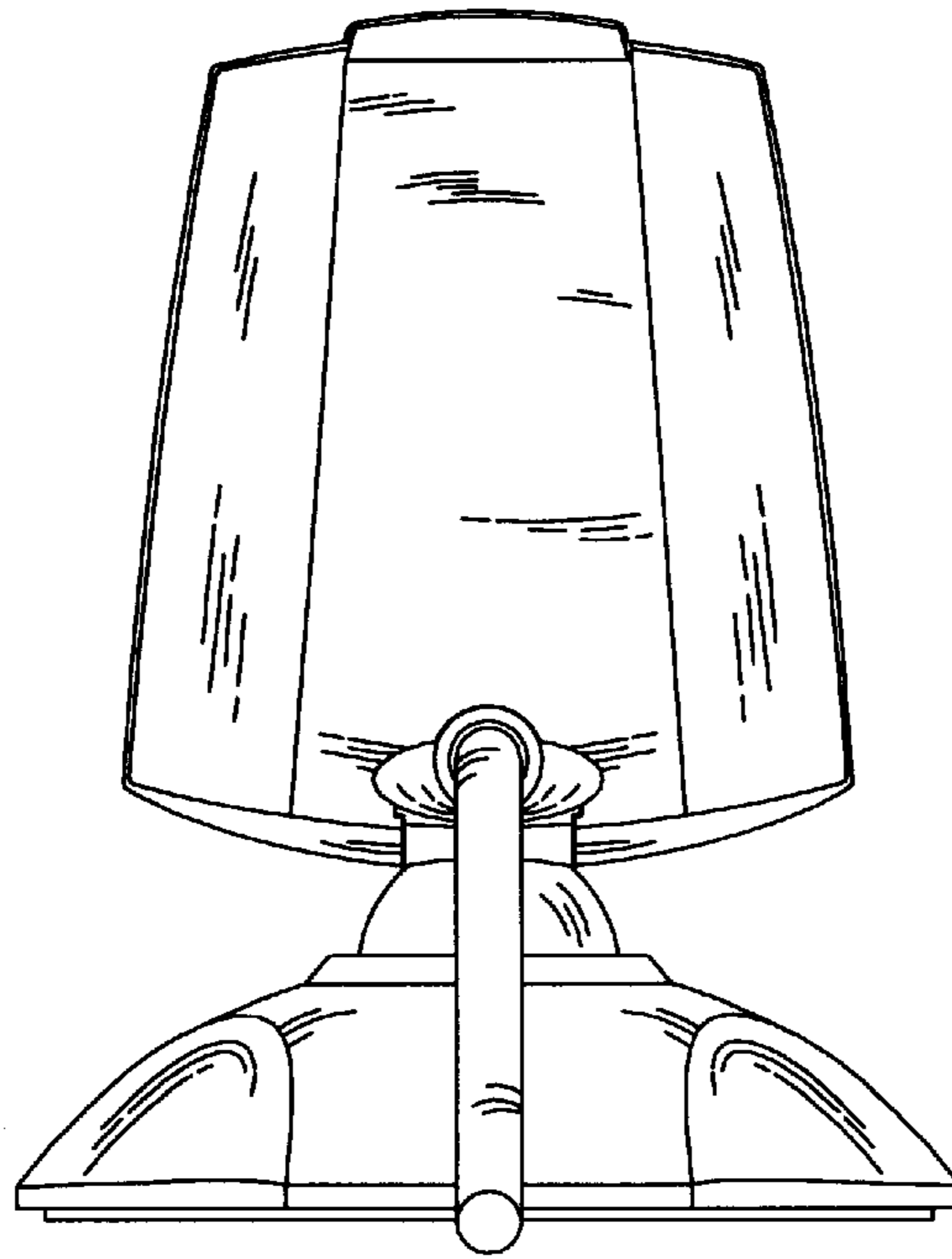


Fig. 2

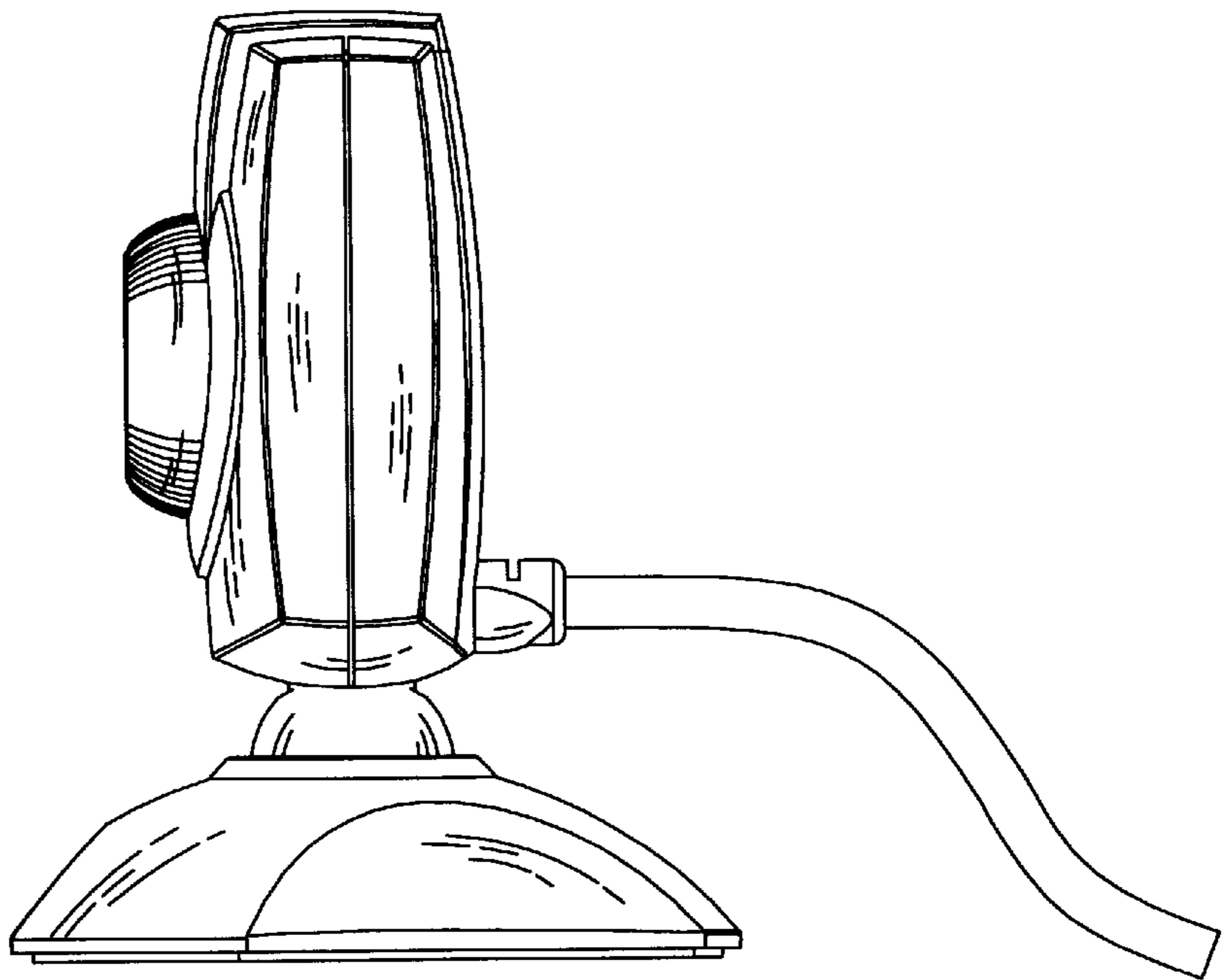


Fig. 3

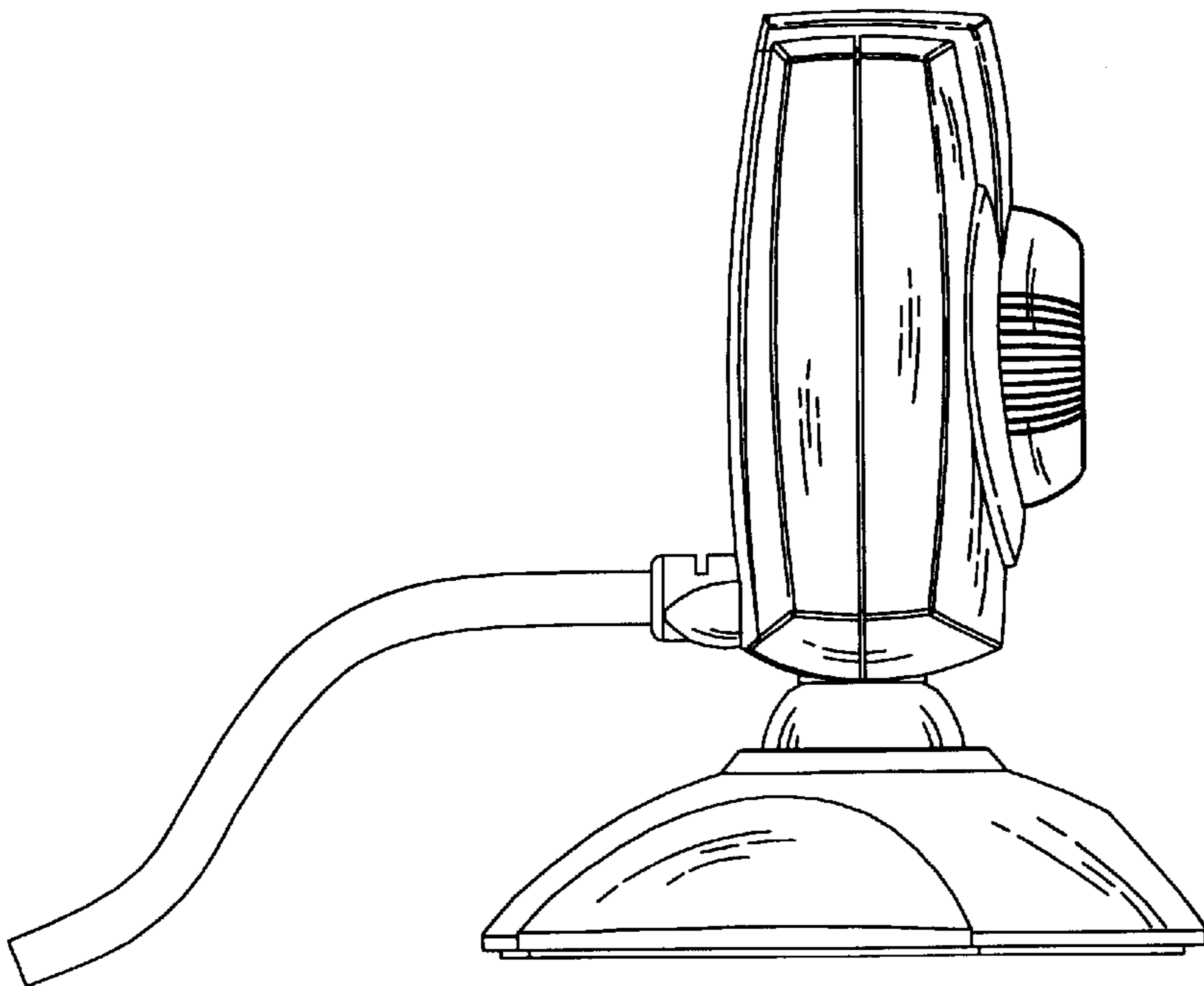


Fig. 4

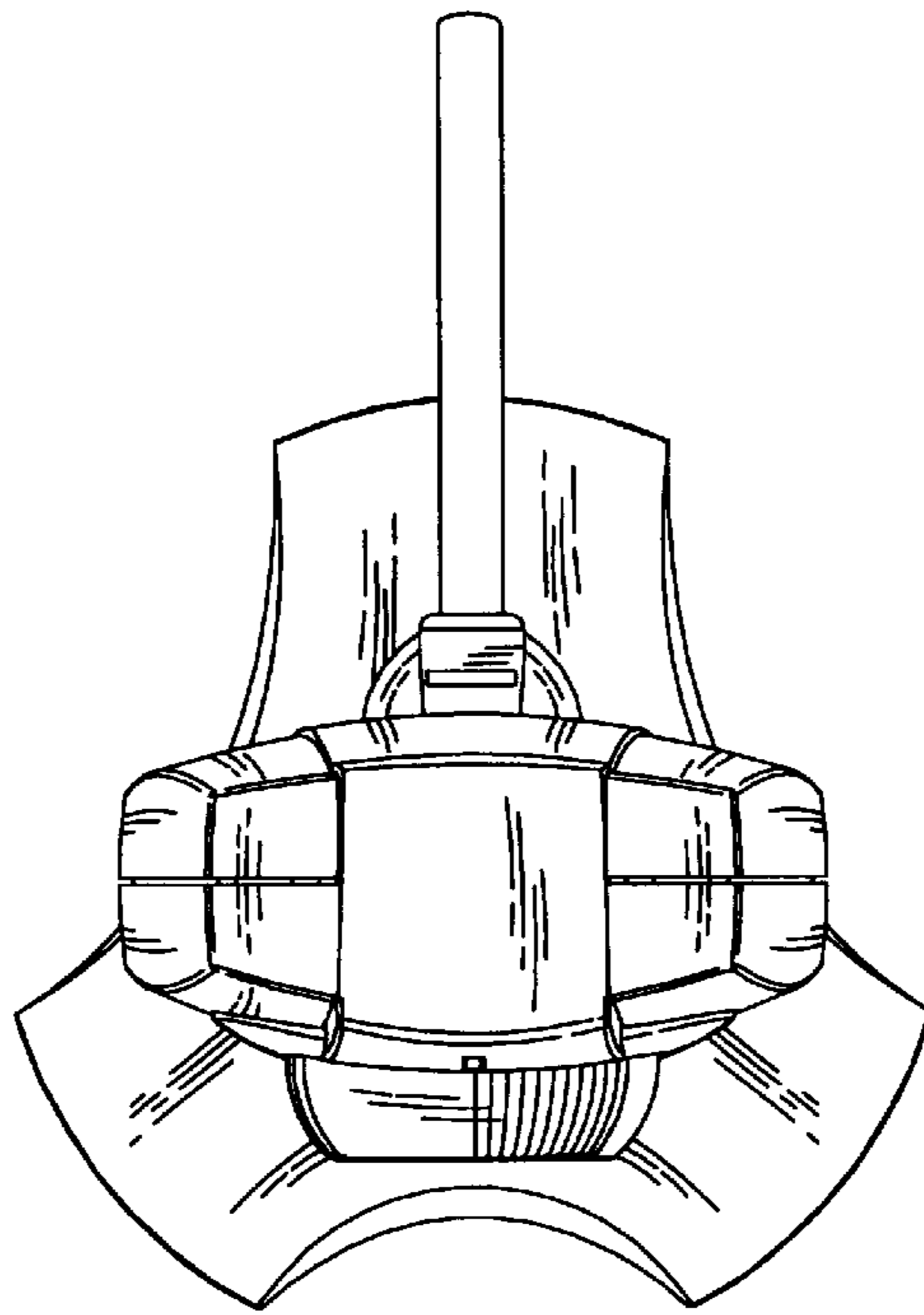


Fig. 5

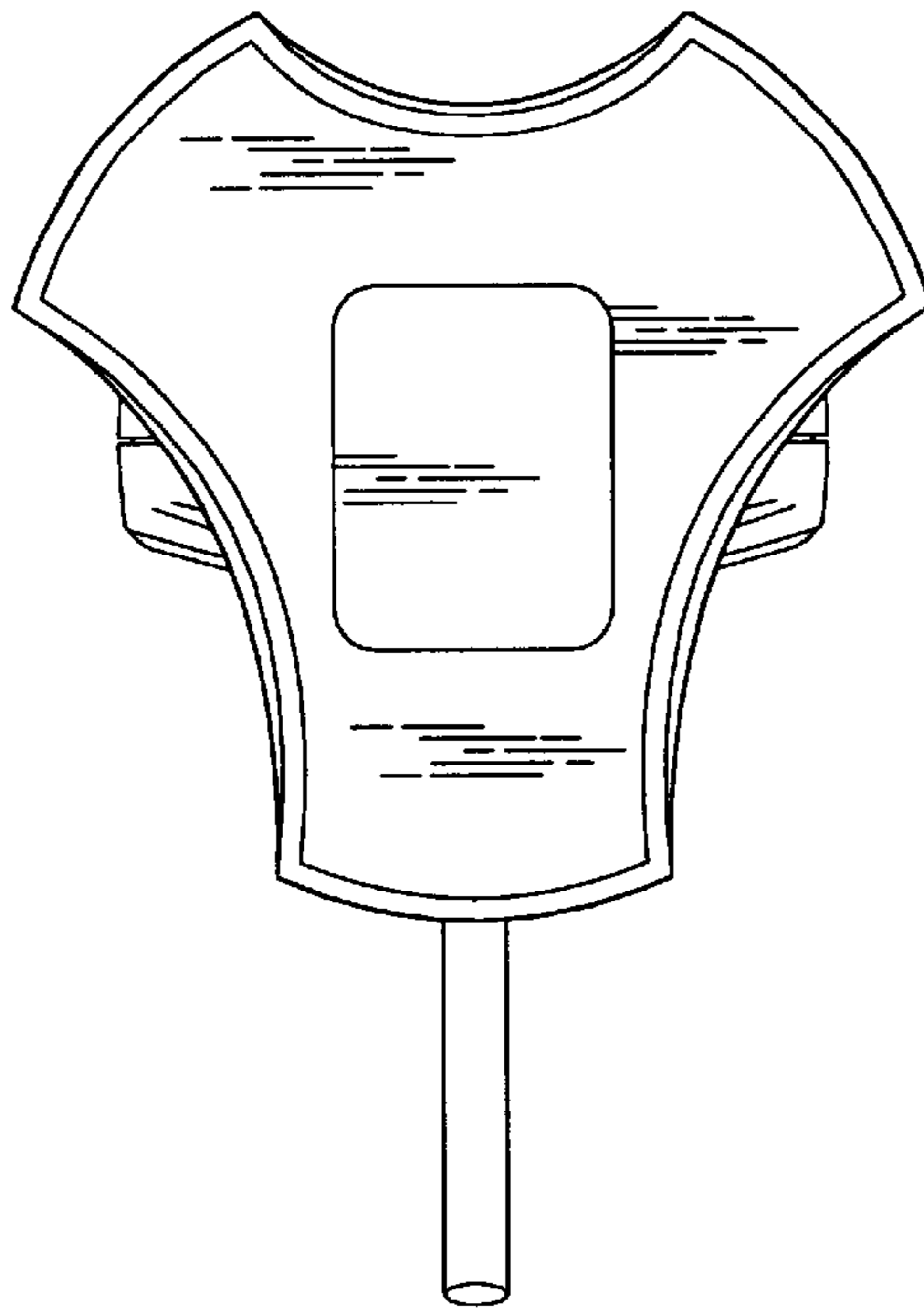


Fig. 6

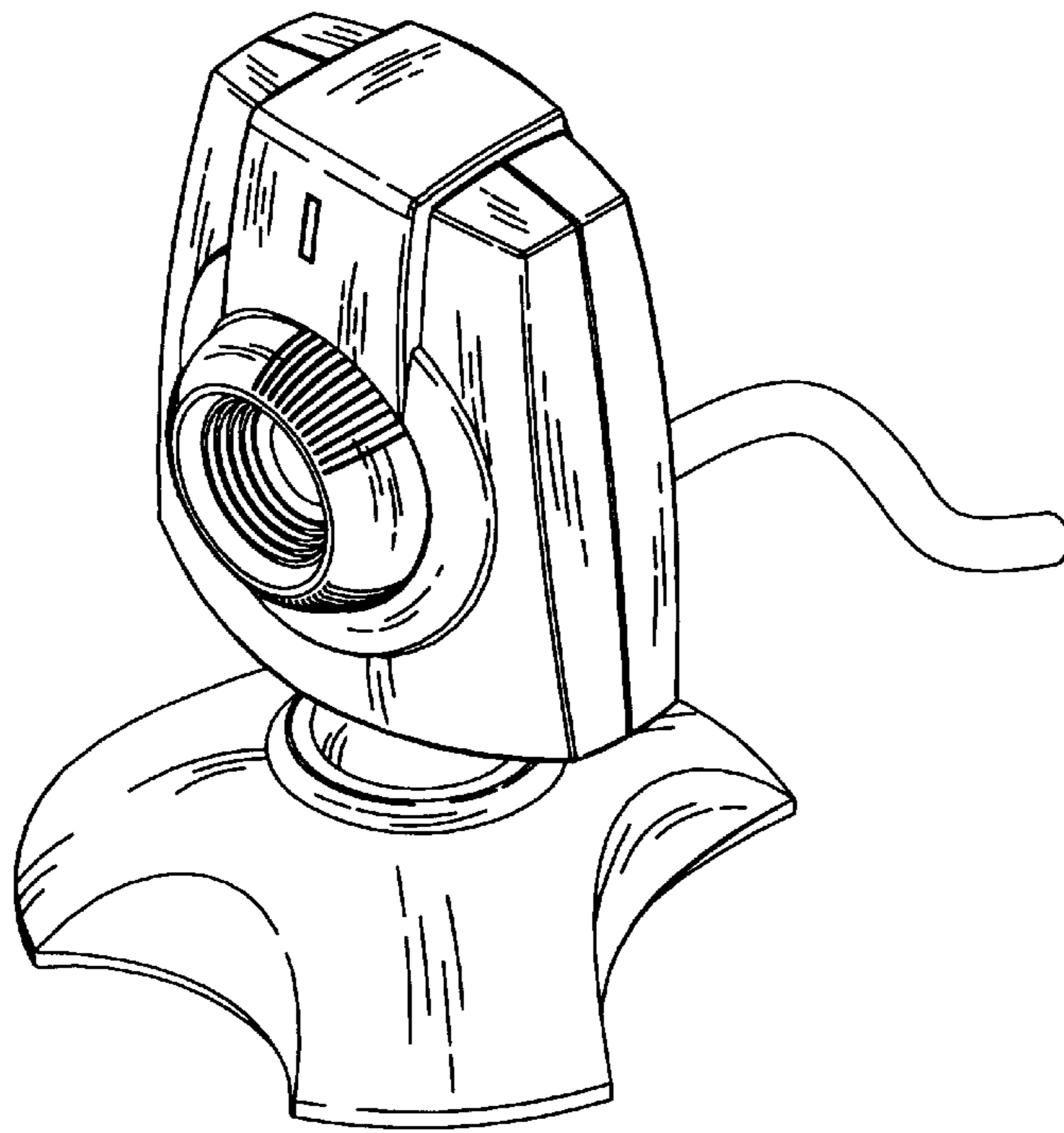


Fig. 7

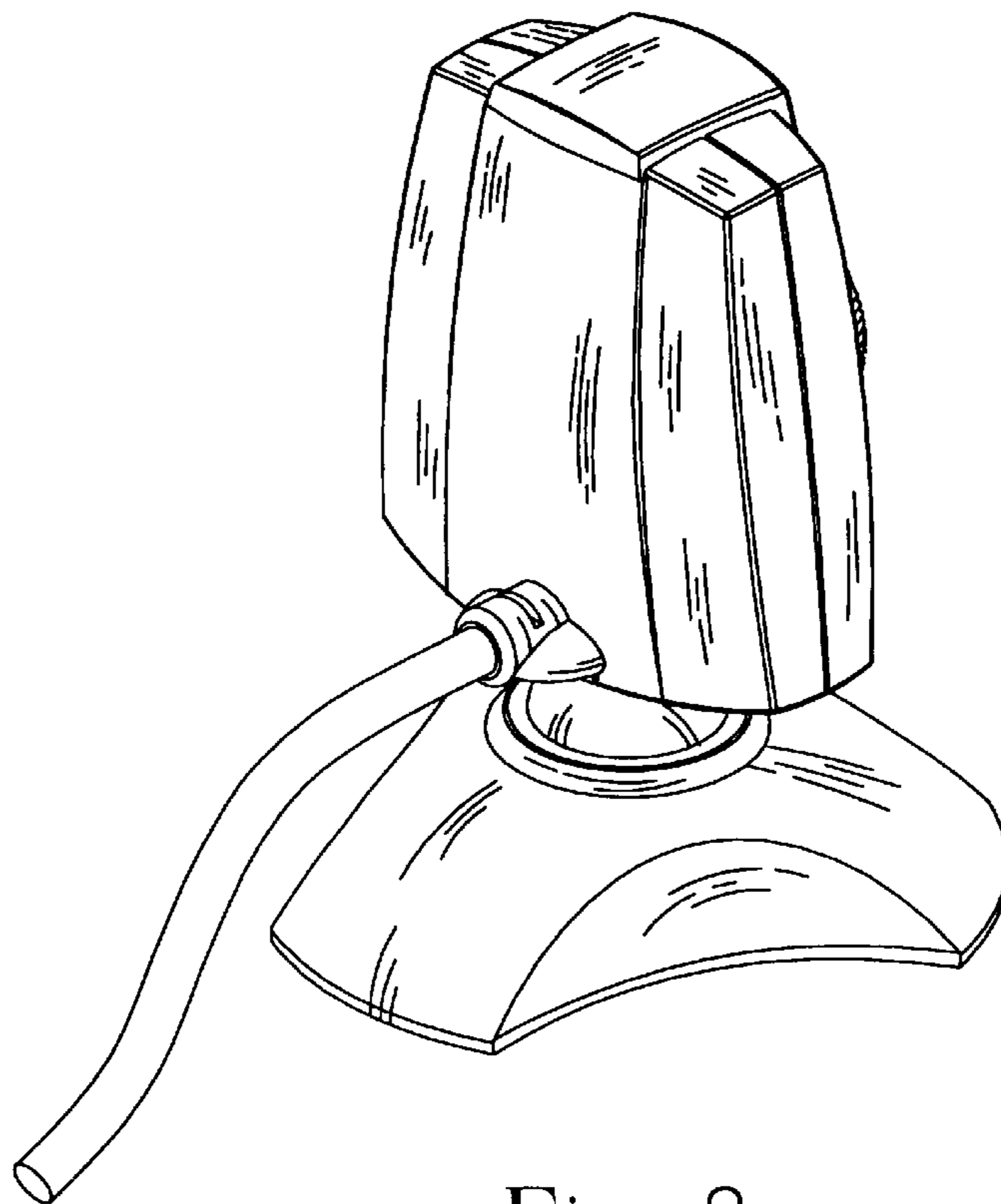


Fig. 8