



US00D447757B1

(12) **United States Design Patent**  
**Rautio**

(10) **Patent No.:** **US D447,757 S**

(45) **Date of Patent:** **\*\* Sep. 11, 2001**

(54) **CUTTER BIT**  
(75) Inventor: **Kauko Rautio**, Mäntyharju (FI)  
(73) Assignee: **Veisto-Rakenne Rautio Oy**,  
Mäntyharju (FI)

3,892,265 \* 7/1975 Vanek ..... 144/241  
5,042,733 \* 8/1991 Hench ..... 144/231  
5,139,064 \* 8/1992 Nunweller ..... 144/241 X  
5,183,089 \* 2/1993 Norlander et al. .... 144/231  
5,653,274 \* 8/1997 Johnson et al. .... 144/241  
5,906,231 \* 5/1999 Rautic ..... 144/241

(\*\*) Term: **14 Years**

\* cited by examiner

(21) Appl. No.: **29/132,257**

*Primary Examiner*—Antoine Duval Davis

(22) Filed: **Nov. 7, 2000**

(74) *Attorney, Agent, or Firm*—Kubovcik & Kubovcik

(30) **Foreign Application Priority Data**

(57) **CLAIM**

May 12, 2000 (FI) ..... M-20000329

The ornamental design for a cutter bit, as shown.

(51) **LOC (7) Cl.** ..... **15-09**

**DESCRIPTION**

(52) **U.S. Cl.** ..... **D15/139**

FIG. 1 is a rear perspective view showing the back, top and left sides of the cutter bit showing my new design.

(58) **Field of Search** ..... D15/139; 83/842;  
144/231, 241, 218; 299/102-109; 407/41,  
46, 49

FIG. 2 is a front perspective view showing the front, top and left sides thereof.

(56) **References Cited**

FIG. 3 is a right-side perspective view showing the back, top and right sides thereof; and,

**U.S. PATENT DOCUMENTS**

D. 338,477 \* 8/1993 Mihic ..... D15/139  
D. 381,027 \* 7/1997 Mihic ..... D15/139

FIG. 4 is a left-side perspective view showing the left and bottom sides thereof.

**1 Claim, 4 Drawing Sheets**

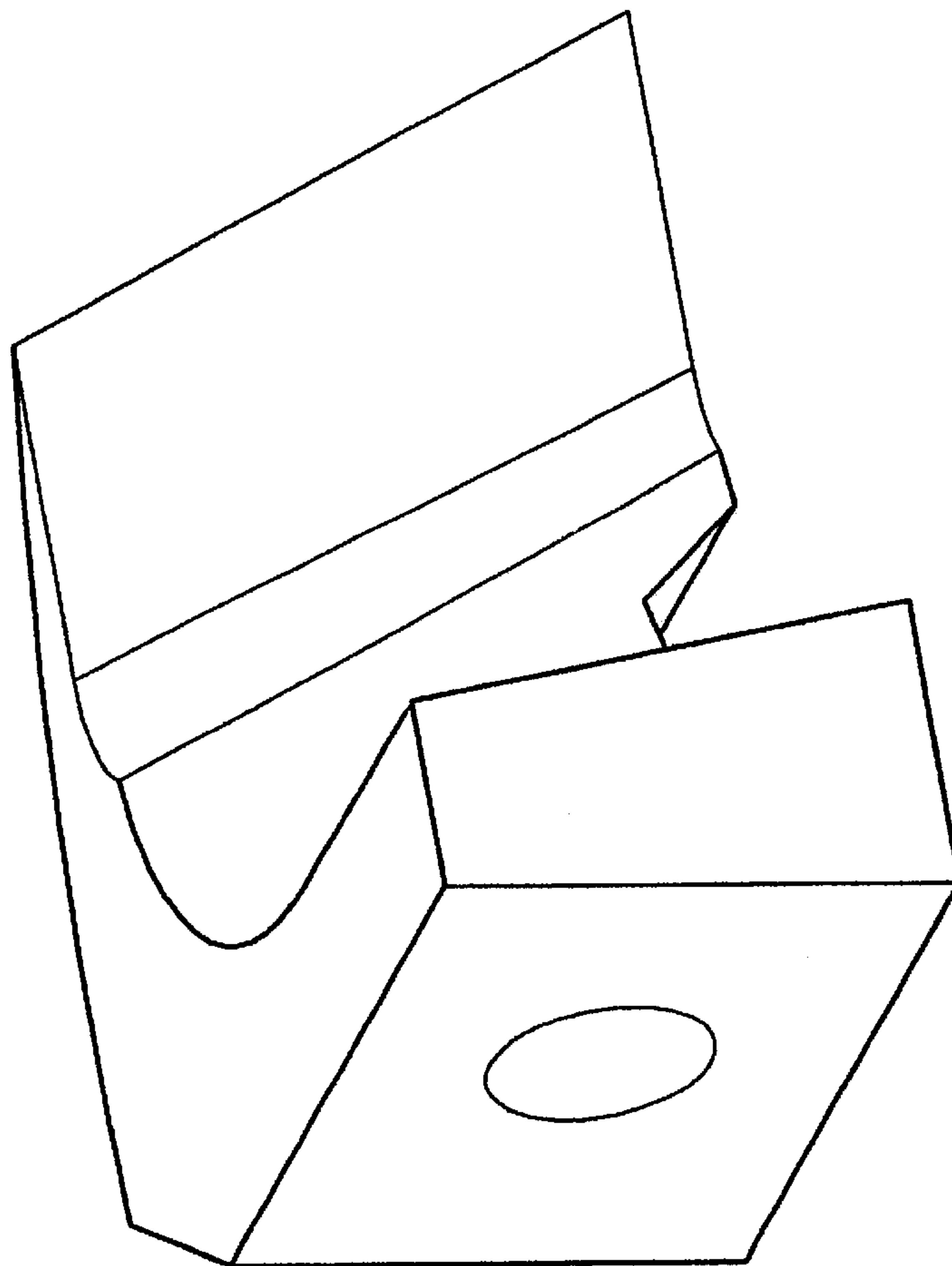


Fig. 1

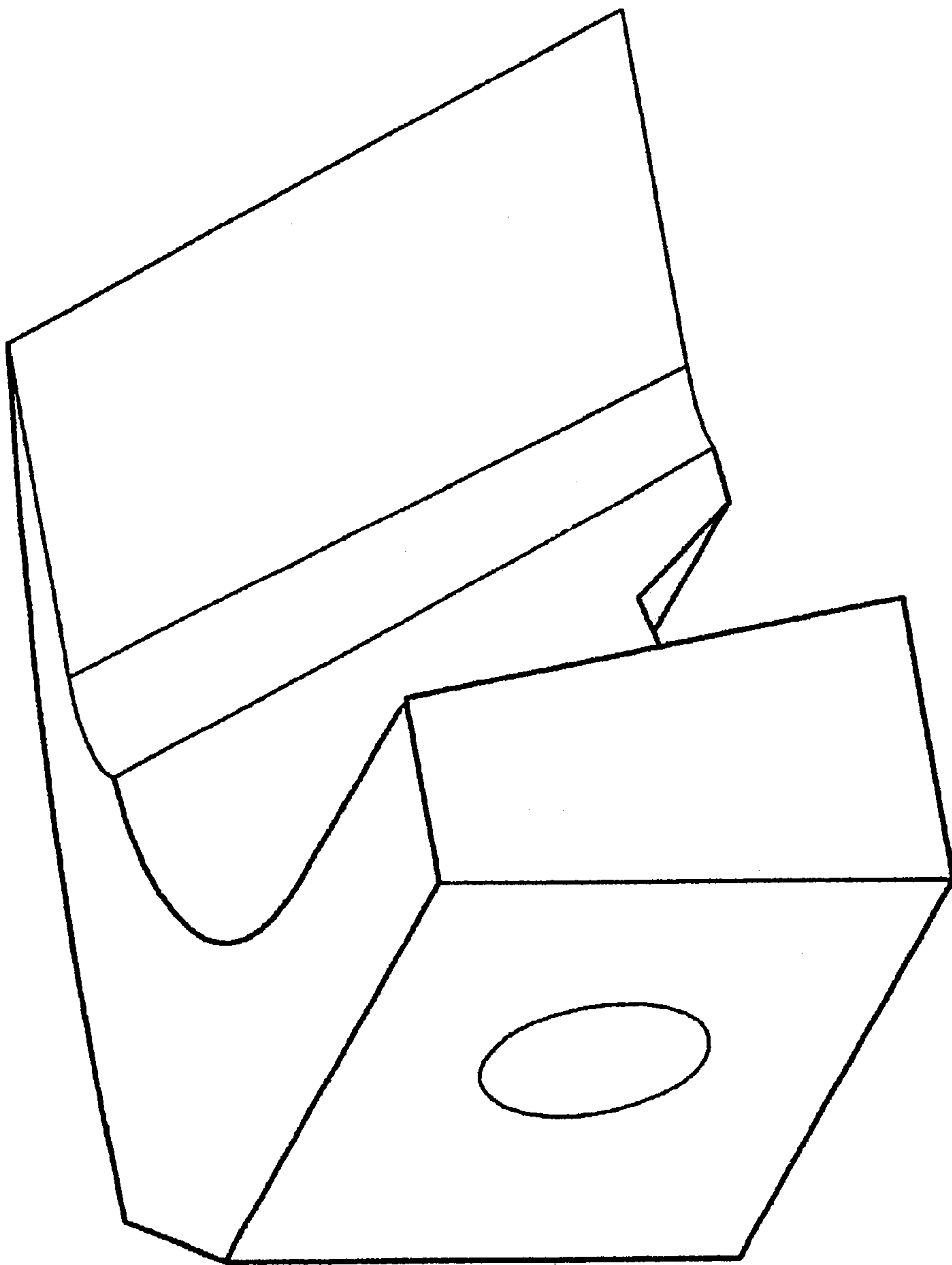


Fig. 2

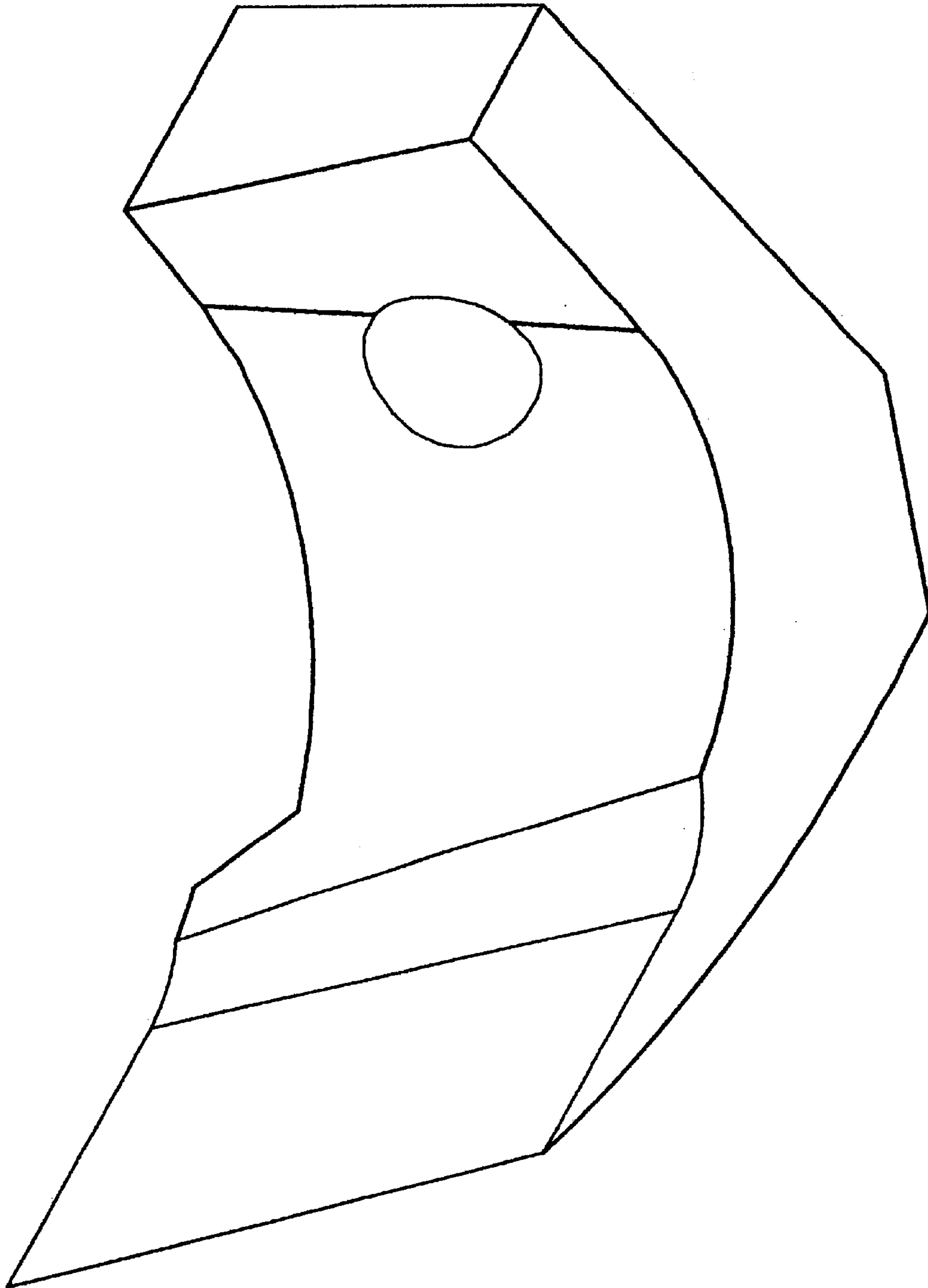
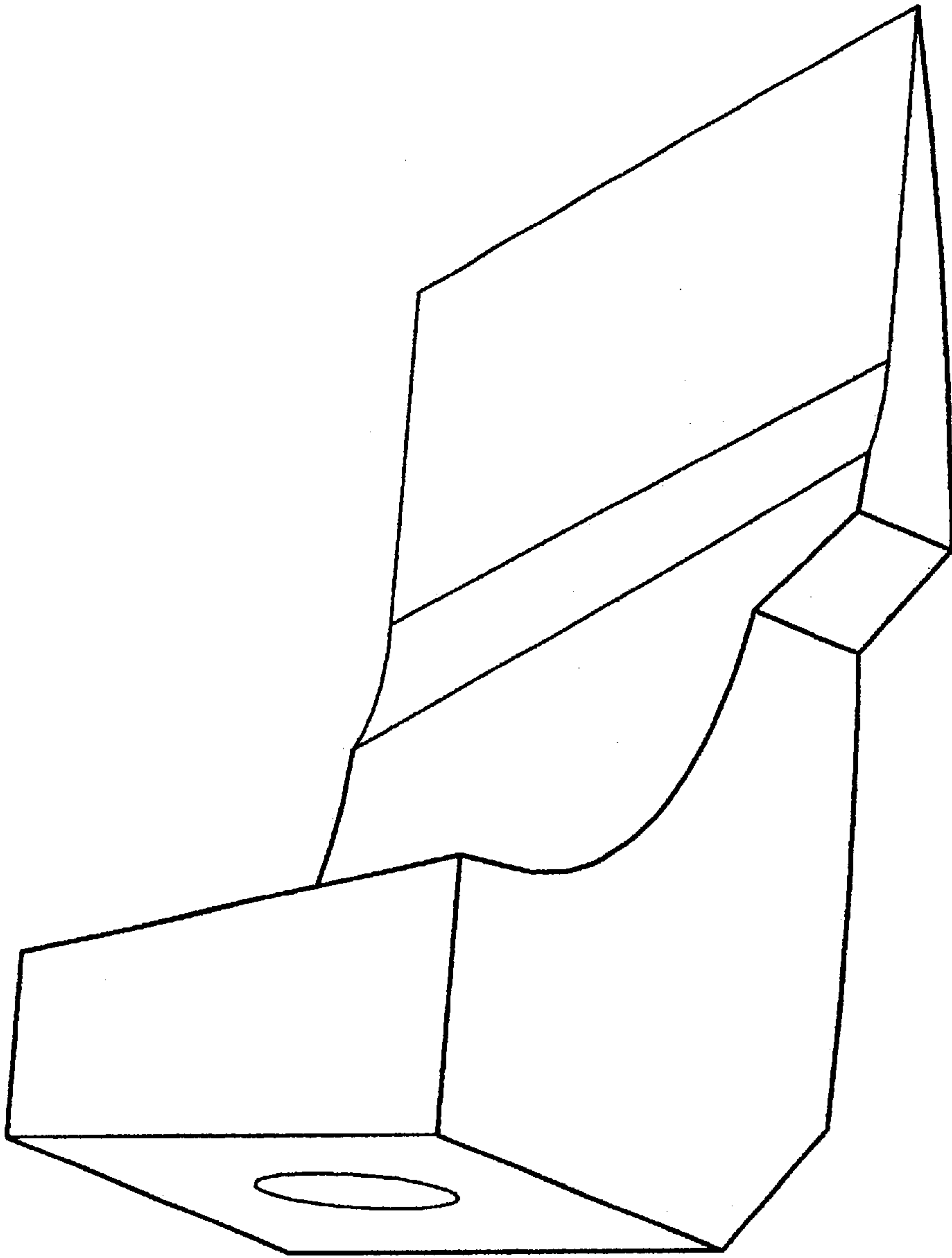


Fig. 3



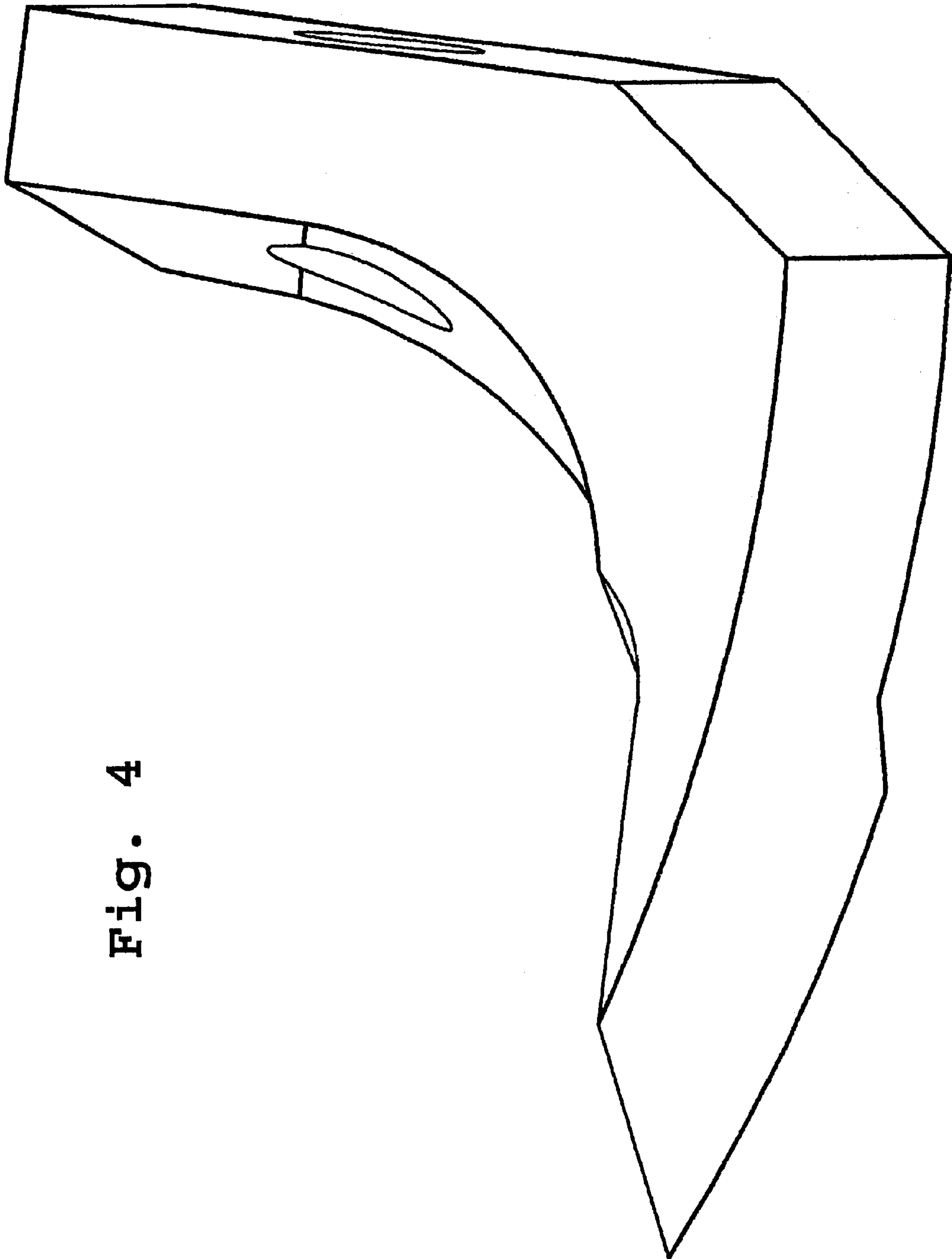


Fig. 4