



US00D447756B1

(12) **United States Design Patent**  
**Wang**

(10) **Patent No.:** **US D447,756 S**

(45) **Date of Patent:** **\*\* Sep. 11, 2001**

(54) **GRINDING MACHINE**

(76) Inventor: **Tian Wang Wang**, No. 45, Yi Chang  
East Road, Taiping City, Taichung  
Hsien (TW), 411

(\*\*) Term: **14 Years**

(21) Appl. No.: **29/132,956**

(22) Filed: **Nov. 20, 2000**

(51) **LOC (7) Cl.** ..... **15-09**

(52) **U.S. Cl.** ..... **D15/124**

(58) **Field of Search** ..... D15/124; 451/65,  
451/296, 310, 361

(56) **References Cited**

**U.S. PATENT DOCUMENTS**

- 4,750,297 \* 6/1988 Anderson ..... 451/65
- 6,106,388 \* 8/2000 Green ..... 451/299
- 6,123,611 \* 9/2000 Lawrence, Jr. .... 451/341

\* cited by examiner

*Primary Examiner*—Antoine Duval Davis  
(74) *Attorney, Agent, or Firm*—Charles E. Baxley

(57) **CLAIM**

The ornamental design for a grinding machine, as shown and described.

**DESCRIPTION**

FIG. 1 is a perspective view of a grinding machine showing my new design;

FIG. 2 is a front elevational view thereof;

FIG. 3 is a rear elevational view thereof;

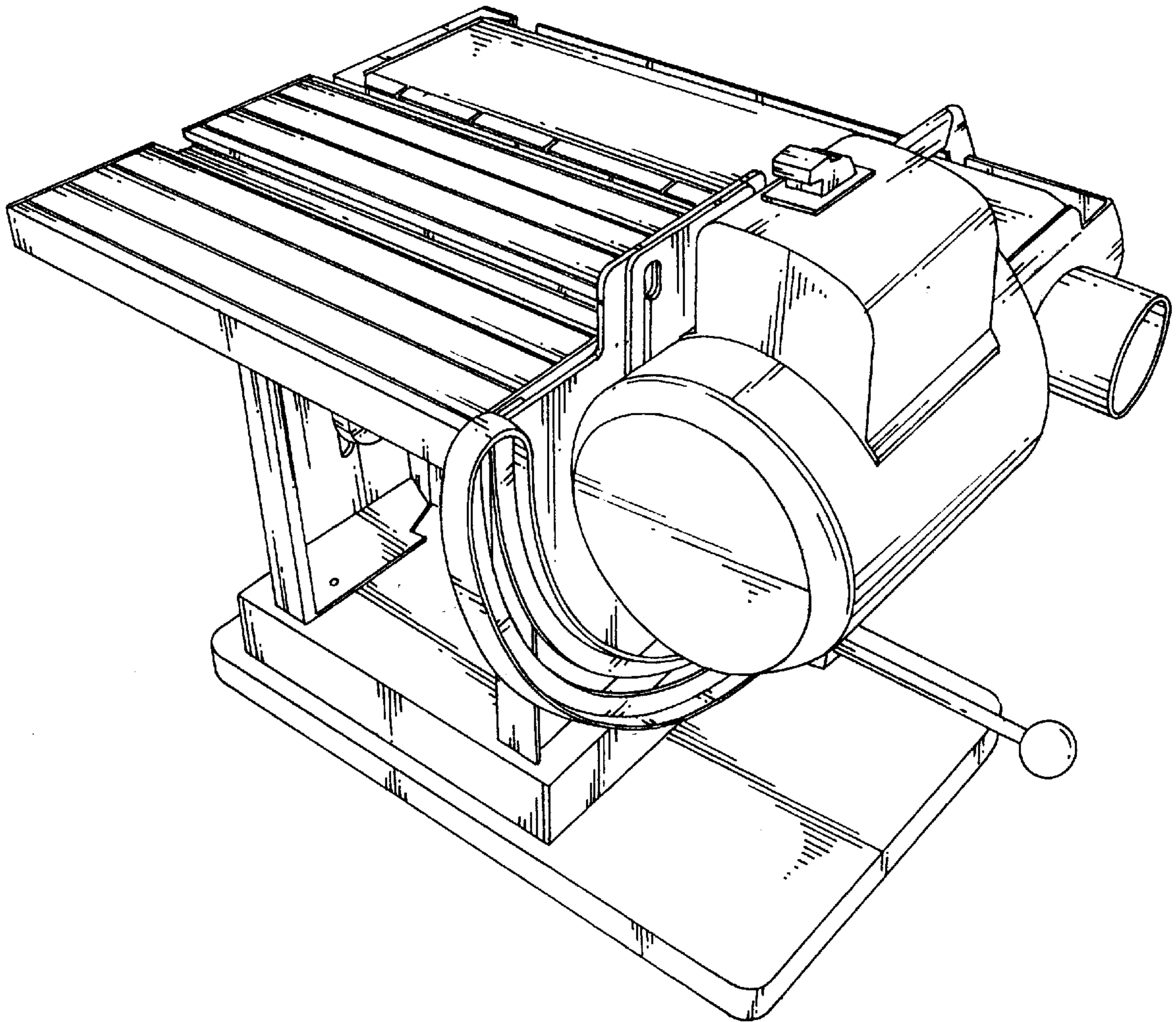
FIG. 4 is a top plan view thereof;

FIG. 5 is a bottom plan view thereof;

FIG. 6 is a left side elevational view thereof; and,

FIG. 7 is a right side elevational view thereof.

**1 Claim, 4 Drawing Sheets**



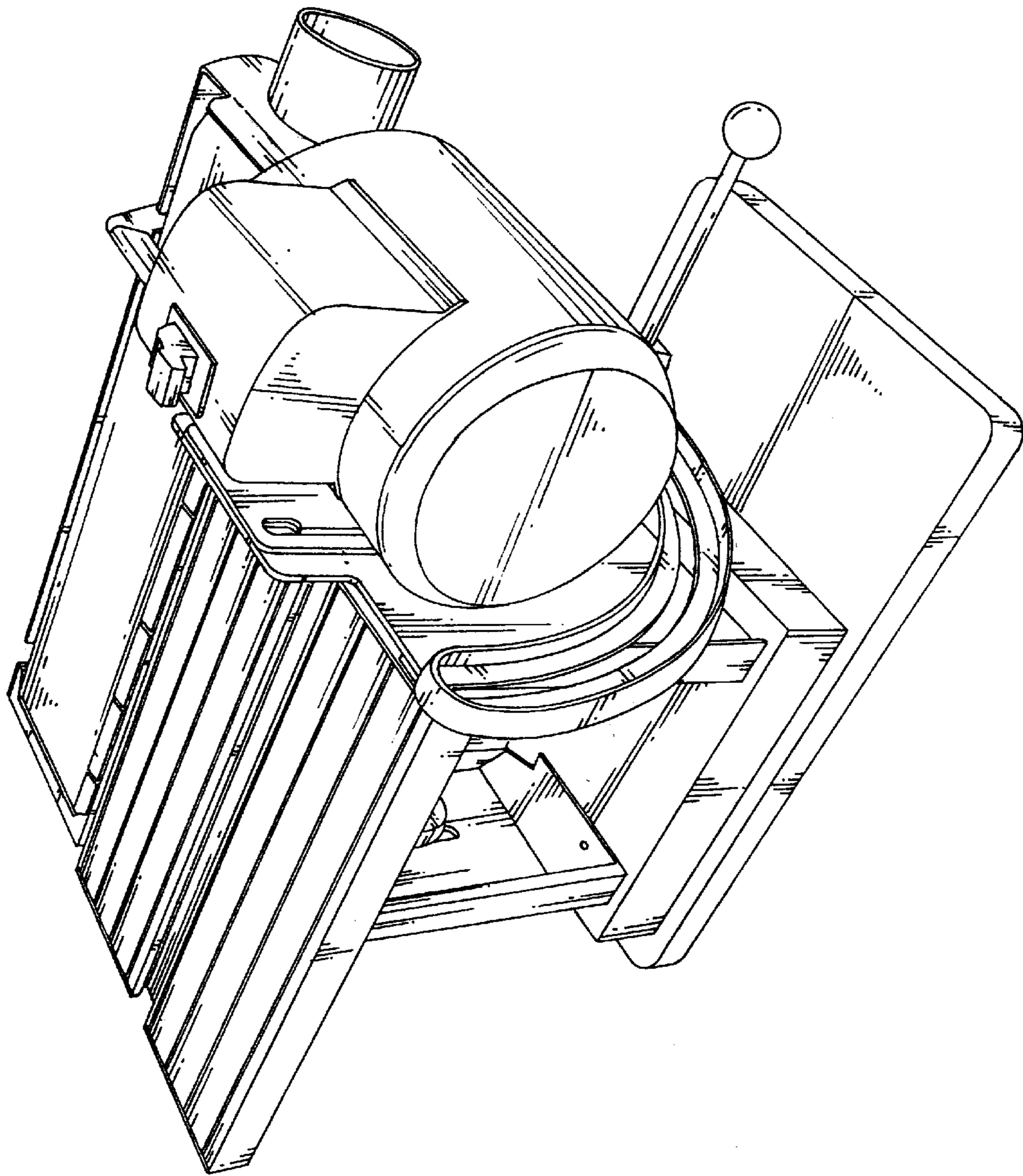


FIG. 1

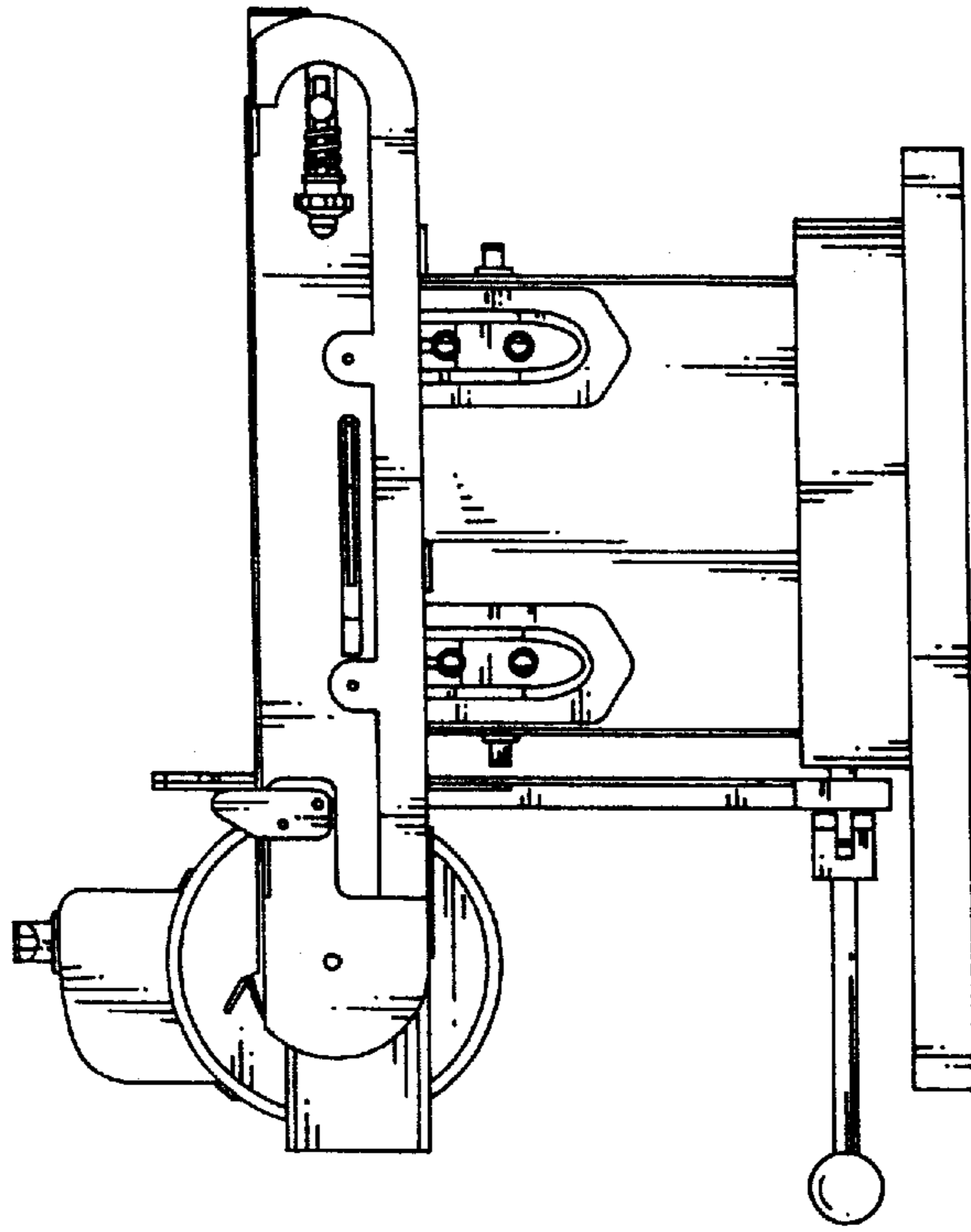


FIG. 2

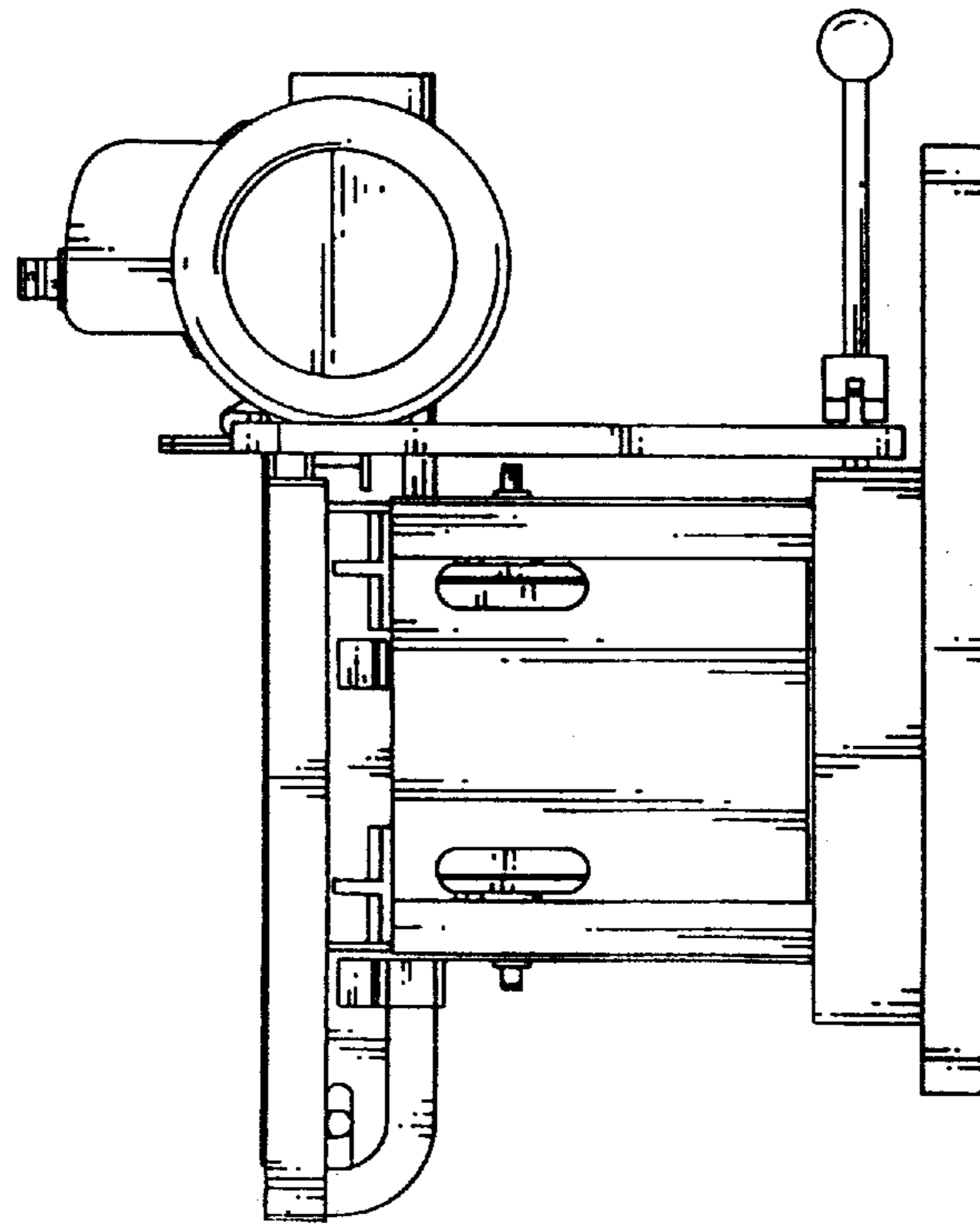


FIG. 3

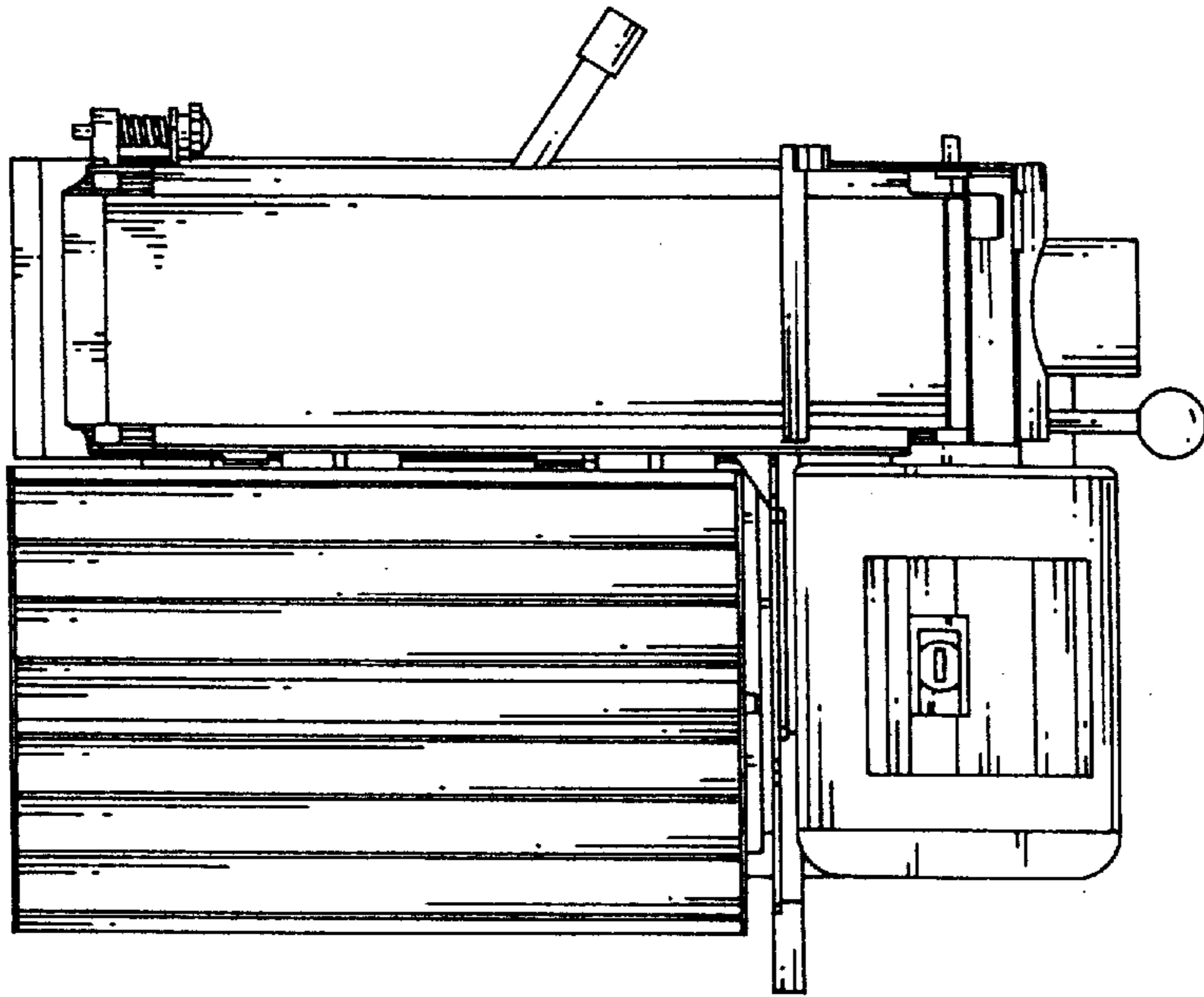


FIG. 4

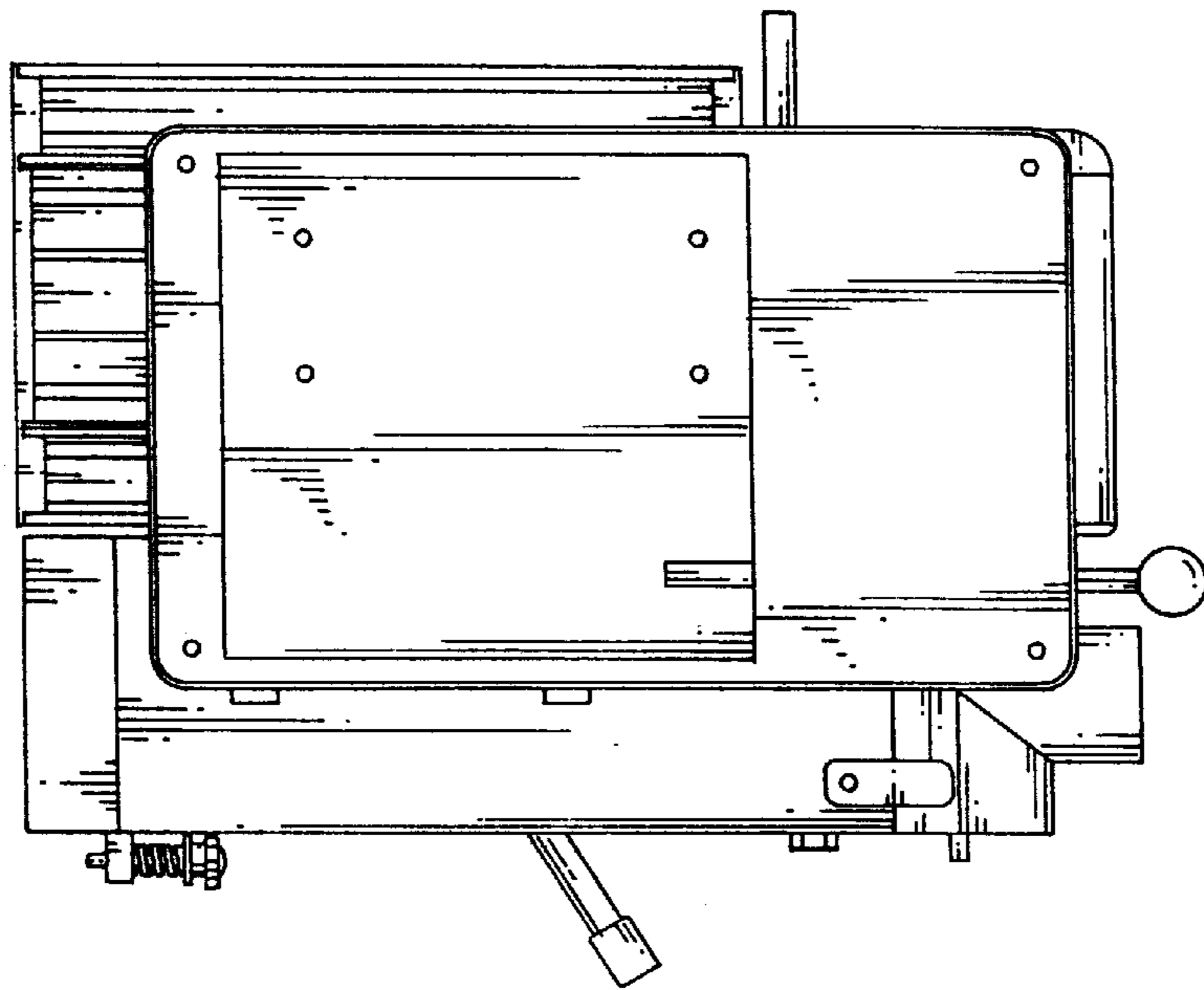


FIG. 5

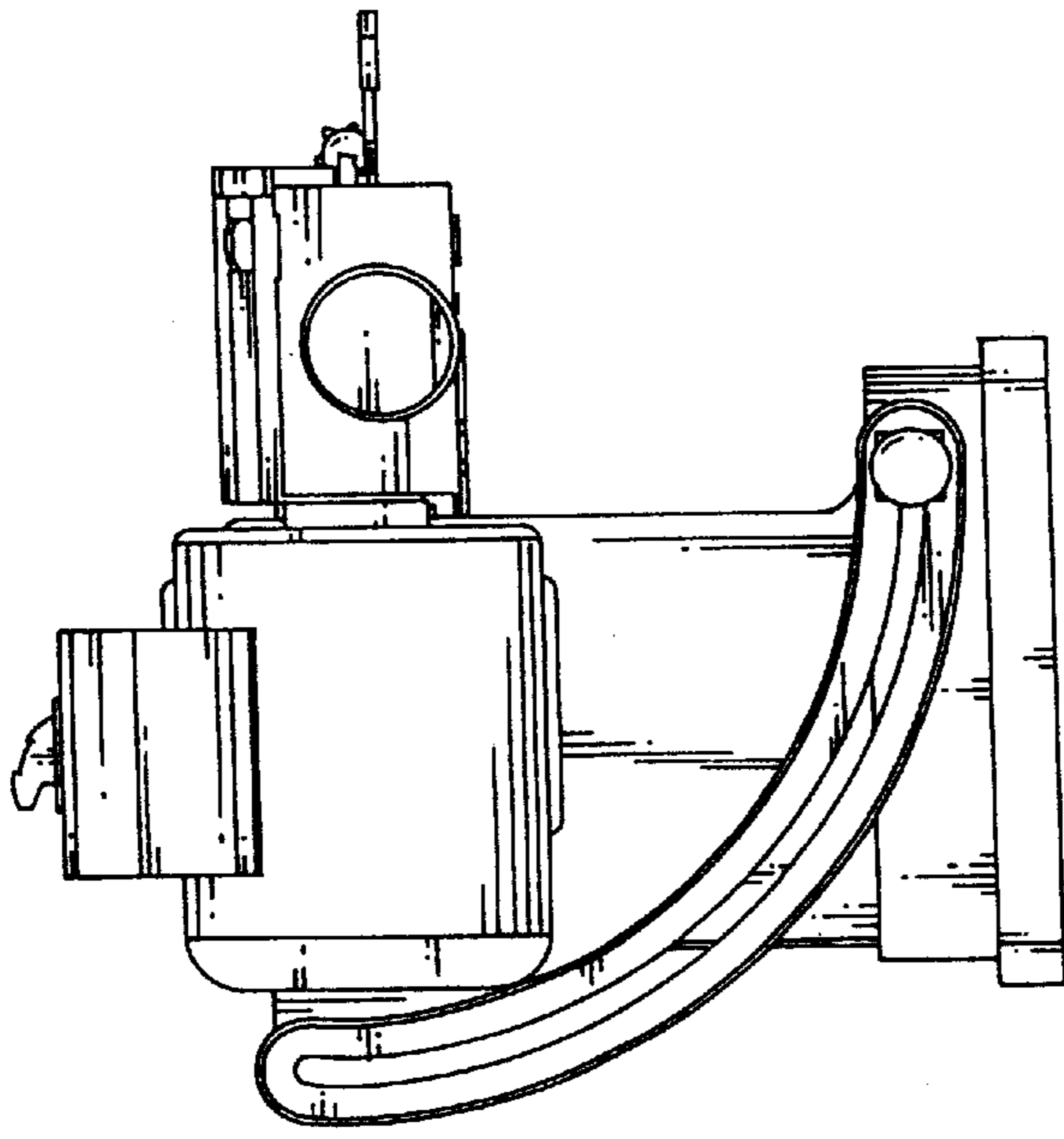


FIG. 7

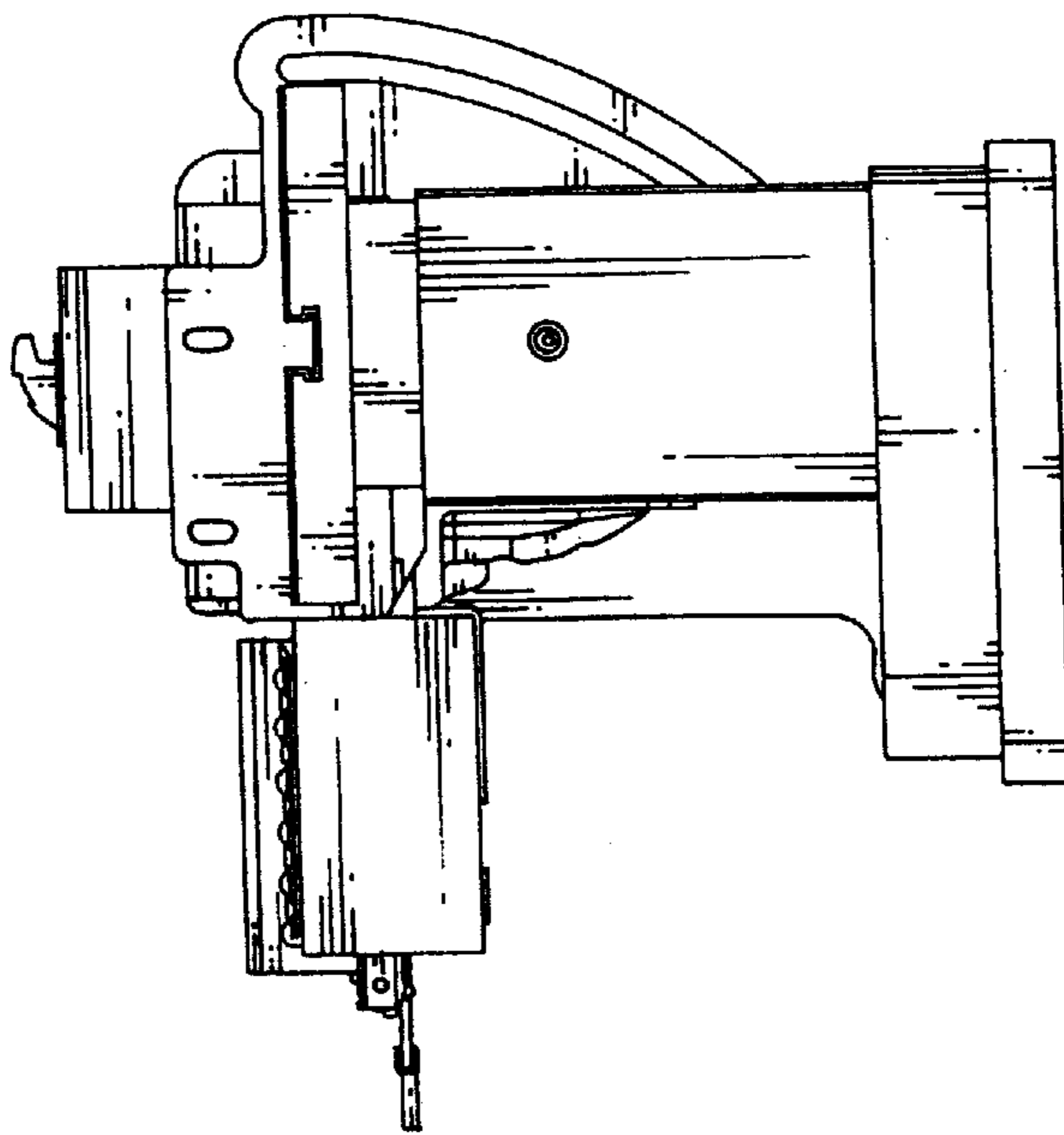


FIG. 6