



US00D447755B1

(12) **United States Design Patent**
Howard

(10) **Patent No.:** **US D447,755 S**

(45) **Date of Patent:** **** Sep. 11, 2001**

(54) **SEWING MACHINE ADAPTER**

5,285,740 2/1994 Yanagi .
5,626,302 5/1997 Hrobar .
5,913,485 6/1999 Bruffett .

(76) Inventor: **Steve R. Howard**, R.D. #2, Box
453AA, Greensburg, PA (US) 15601

* cited by examiner

(**) Term: **14 Years**

Primary Examiner—Mitchell Siegel
(74) *Attorney, Agent, or Firm*—Jon M. Lewis

(21) Appl. No.: **29/126,545**

(22) Filed: **Jul. 19, 2000**

(57) **CLAIM**

(51) **LOC (7) Cl.** **15-06**

The ornamental design for a sewing machine adapter, as shown.

(52) **U.S. Cl.** **D15/72**

(58) **Field of Search** D15/72-76; 242/130,
242/129.5, 130.1, 597.7, 597.5

DESCRIPTION

(56) **References Cited**

FIG. 1 is a perspective elevational view of the present invention.

FIG. 2 is a top view of the present invention.

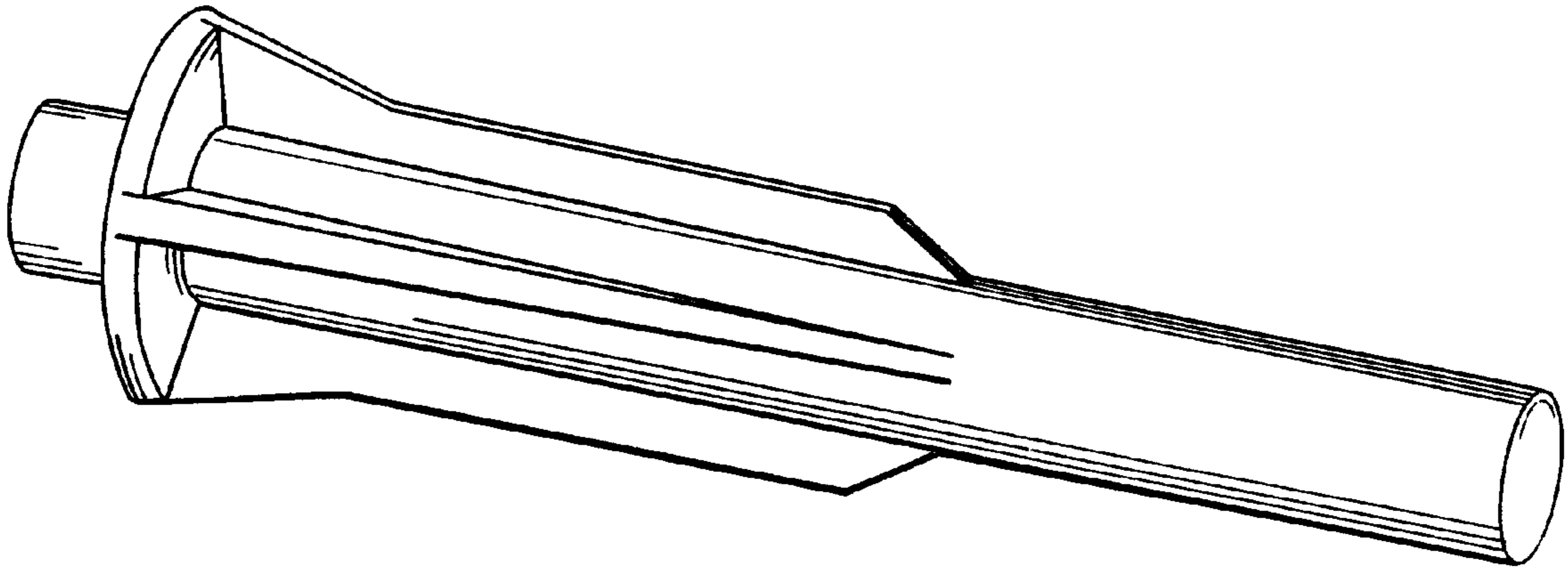
FIG. 3 is a bottom view of the present invention; and,

FIG. 4 is a front view of the present invention.

U.S. PATENT DOCUMENTS

3,055,609	*	9/1962	Courtney	242/130.1
3,738,590		6/1973	Granati	.	
3,948,396		4/1976	Upton	.	
4,441,666		4/1984	Tower	.	

1 Claim, 1 Drawing Sheet



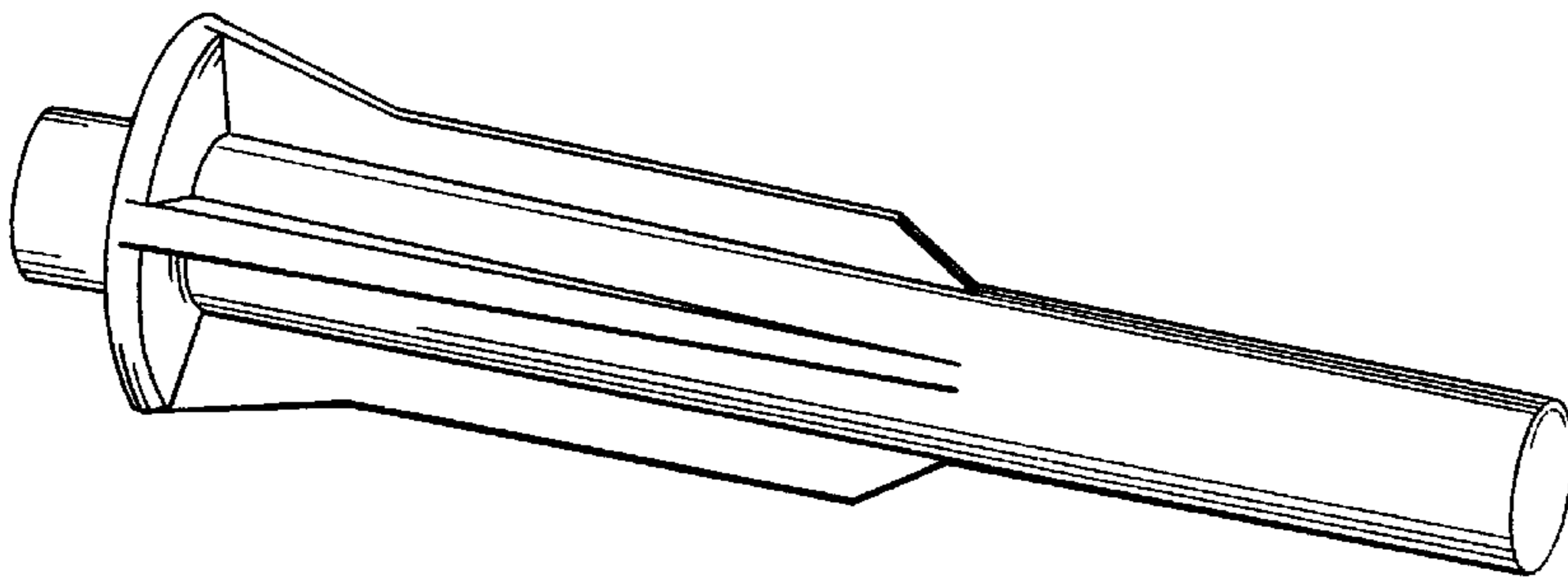


FIGURE 1

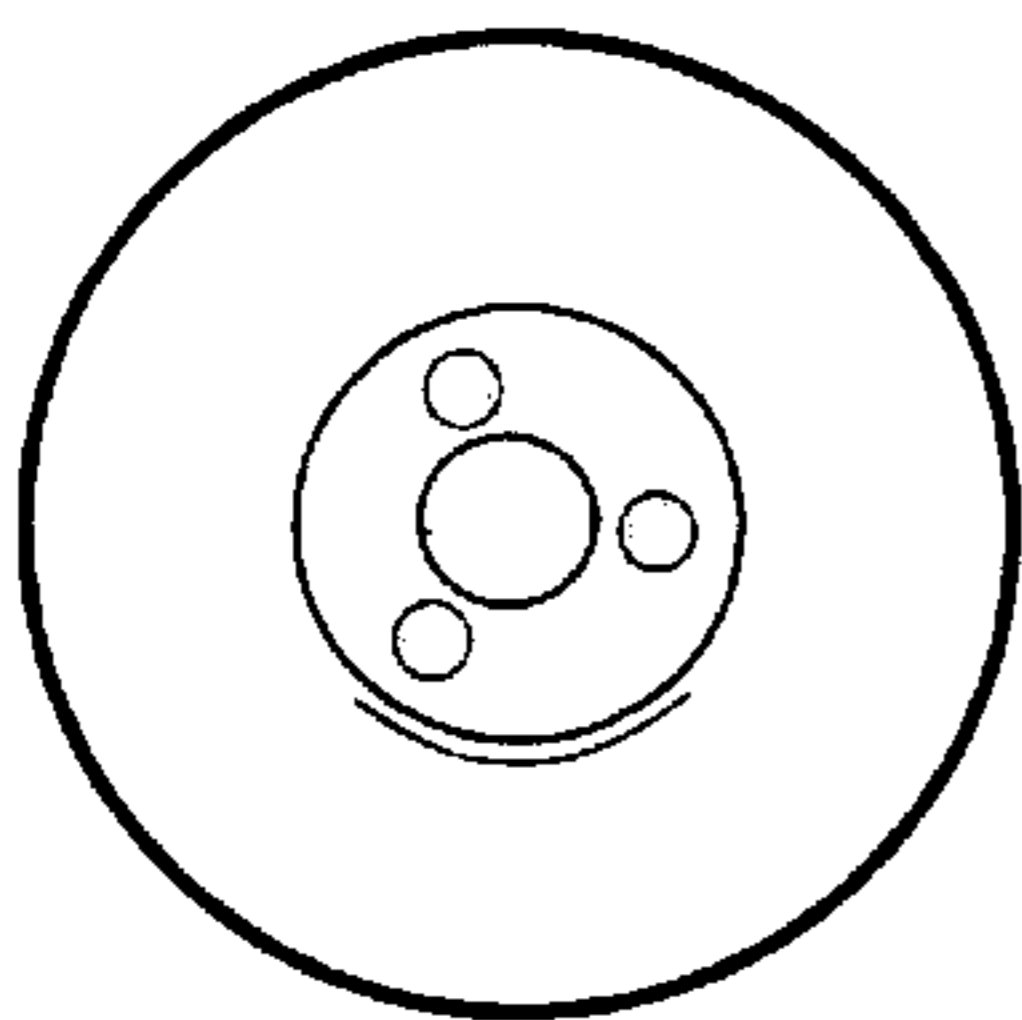


FIGURE 2

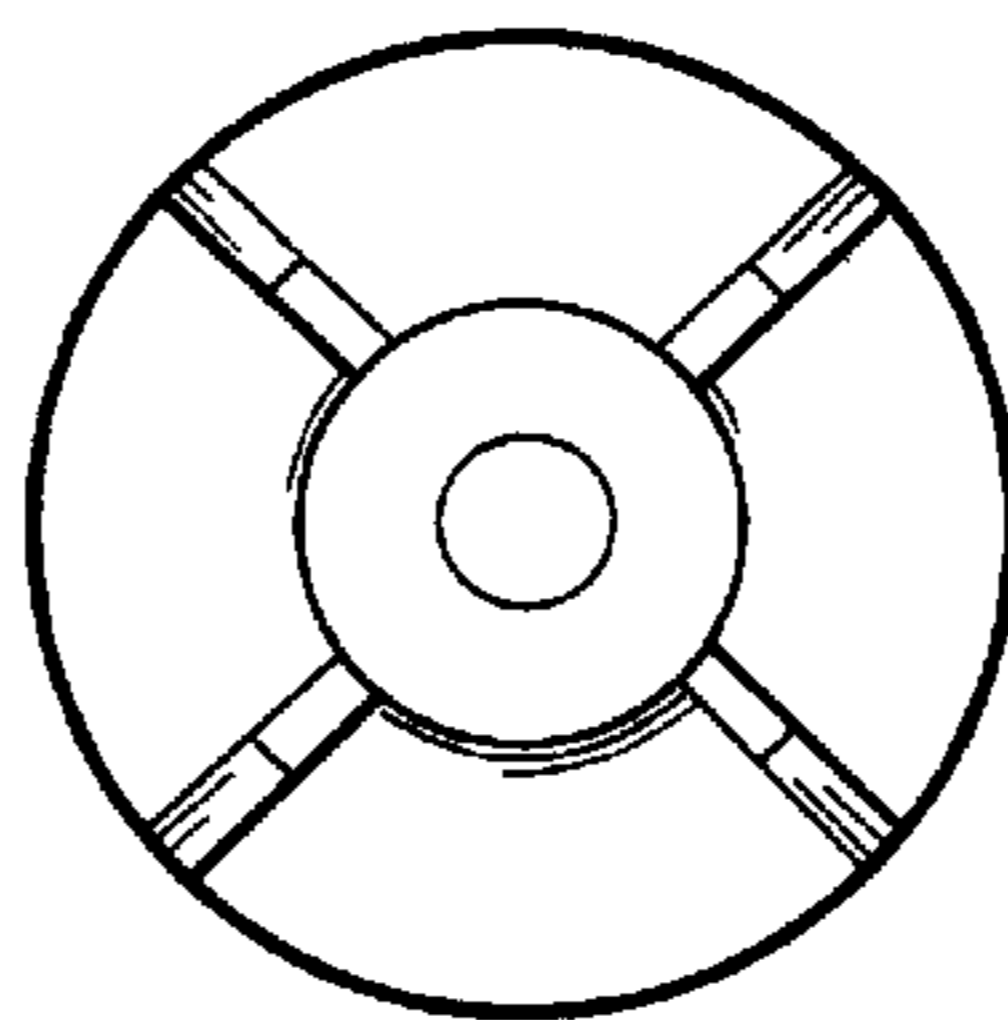


FIGURE 3

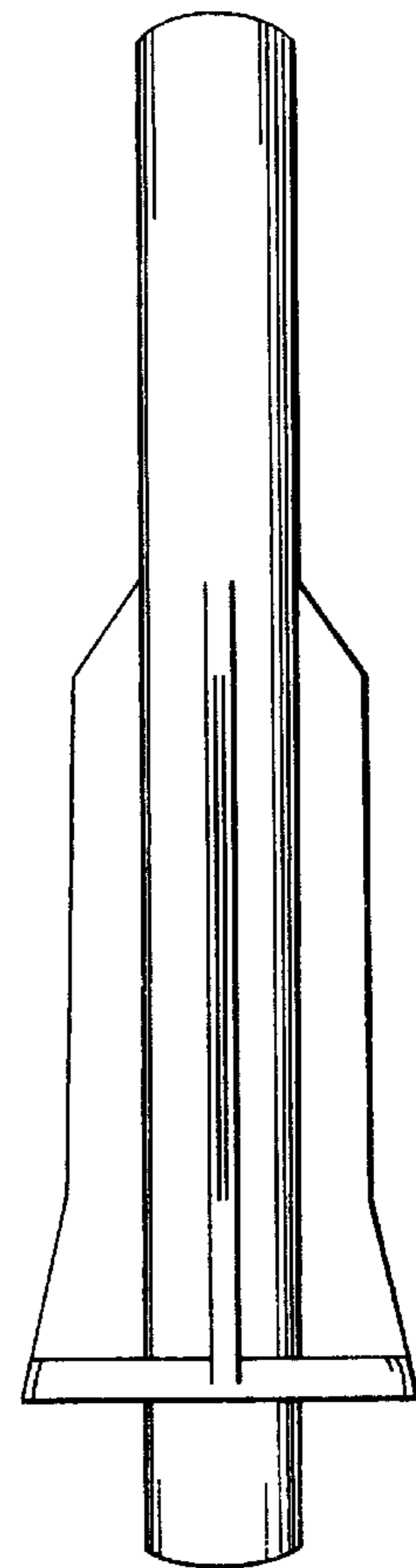


FIGURE 4