



US00D447754B1

(12) **United States Design Patent** (10) **Patent No.:** **US D447,754 S**  
**Smith et al.** (45) **Date of Patent:** **\*\* Sep. 11, 2001**

(54) **HOOD**

(75) Inventors: **Richard Jon Smith**, Dubuque, IA (US);  
**Thomas Howard Ward**, Ventura;  
**Stephen Henry Kaminski**, Newbury  
Park, both of CA (US)

(73) Assignee: **Deere & Company**, Moline, IL (US)

(\*\*) Term: **14 Years**

(21) Appl. No.: **29/126,216**

(22) Filed: **Jul. 11, 2000**

(51) **LOC (7) Cl.** ..... **15-03**

(52) **U.S. Cl.** ..... **D15/31**

(58) **Field of Search** ..... D15/14-18, 23,  
D15/28, 31; 56/13.3, 13.4, 16.1, 15.8, 15.9,  
16.7, 17.4, 202, 255, 294, 320.1, 320.2;  
180/900, 273, 68.6, 69.21

(56) **References Cited**

**U.S. PATENT DOCUMENTS**

D. 209,043	*	10/1967	Purcell et al.	.....	D15/28
D. 248,397	*	7/1978	Cognata et al.	.....	D15/15
D. 297,538	*	9/1988	Ogasawara et al.	.....	D15/15
D. 354,756	*	1/1995	Hinklin	.....	D15/15
D. 382,279	*	8/1997	Goebert et al.	.....	D15/31
D. 392,982	*	3/1998	Smith	.....	D15/17
D. 421,266	*	2/2000	Hinklin	.....	D15/15
D. 427,205	*	6/2000	Shimizu	.....	D15/23
D. 440,233	*	4/2001	Smith	.....	D15/17
D. 440,982	*	4/2001	Knight et al.	.....	D15/23
4,620,575	*	11/1986	Cuba et al.	.....	180/307

**OTHER PUBLICATIONS**

Cat Brochure entitled "416 Series II Backhoe Loader",  
AEHQ9986-01 (Feb. 1991), printed in U.S.A., 1991.  
Massey-Ferguson Brochure entitled "MF50H/HX Elite  
Powershuttle Backhoe Loader", printed in U.S.A.

Ford Brochure entitled "Specification 655A", AD 2295  
28750, printed in U.S.A.

Ford New Holland Brochure entitled "Tractor Loader Back-  
hoes 455D, 555D, 655D", 31045540 99255, printed in  
U.S.A.

Deere & Company brochure entitled "401B/510B/610B710  
Innovative \* Efficient\*Rugged Backhoes Designed for Tom-  
morrow to Put You Ahead Today", A-1884-84-02, printed  
in U.S.A.

Deere & Company Brochure entitled "310E Backhoe Load-  
ers", DKA310E, printed in U.S.A.

Deere & Company Brochure entitled "710D Backhoe Load-  
ers", DKA1949, printed in U.S.A.

\* cited by examiner

*Primary Examiner*—Mitchell Siegel

(57) **CLAIM**

The ornamental design for a hood, as shown and described.

**DESCRIPTION**

FIG. 1 is a side view of a hood showing our new design, the  
broken lines showing a work vehicle being for illustrative  
purposes only, and forms no part of the claimed design.

FIG. 2 is a front/left perspective view of the hood design of  
FIG. 1.

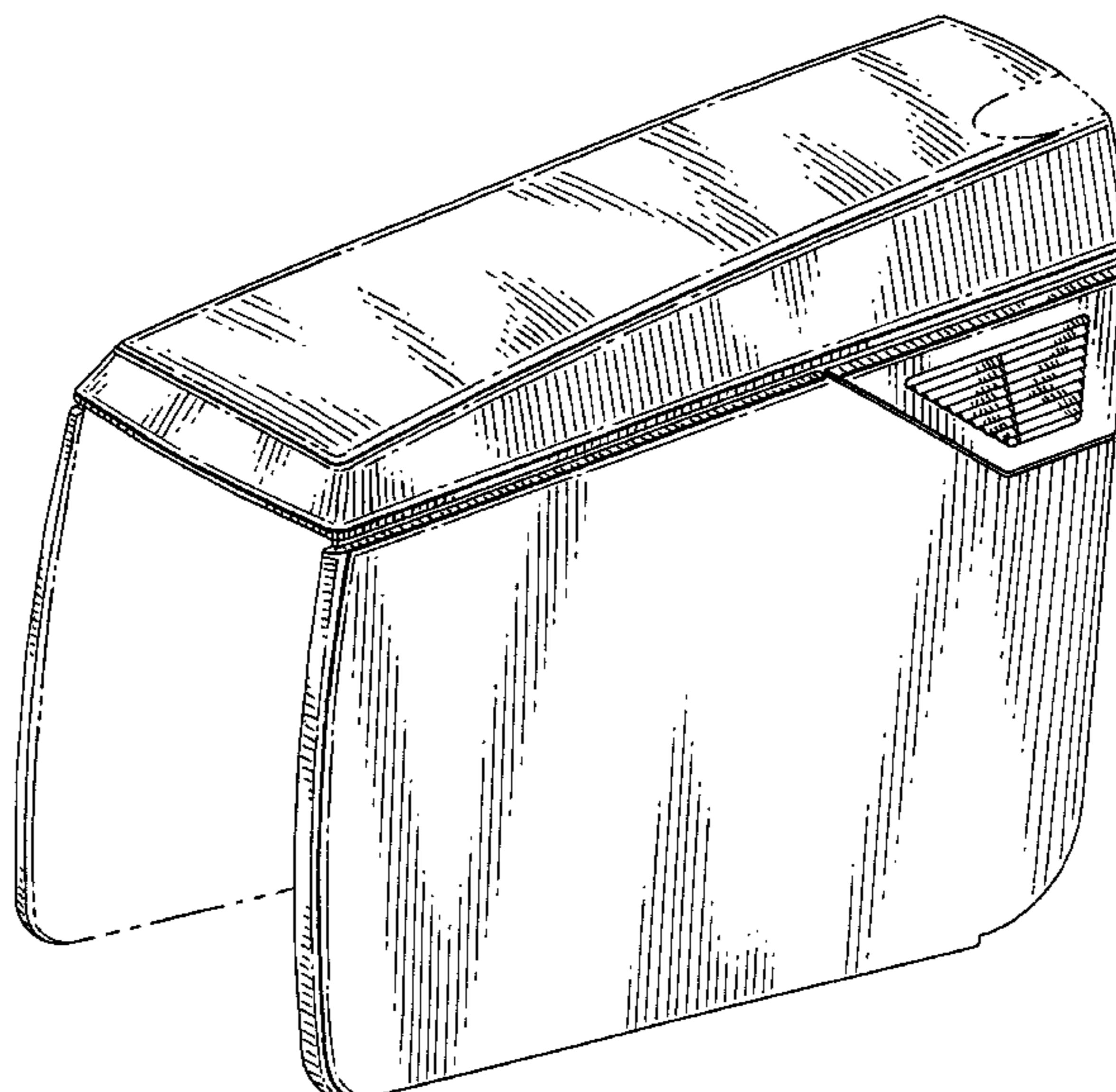
FIG. 3 is top view of the hood design of FIG. 1.

FIG. 4 is a right side view of the hood design of FIG. 1.

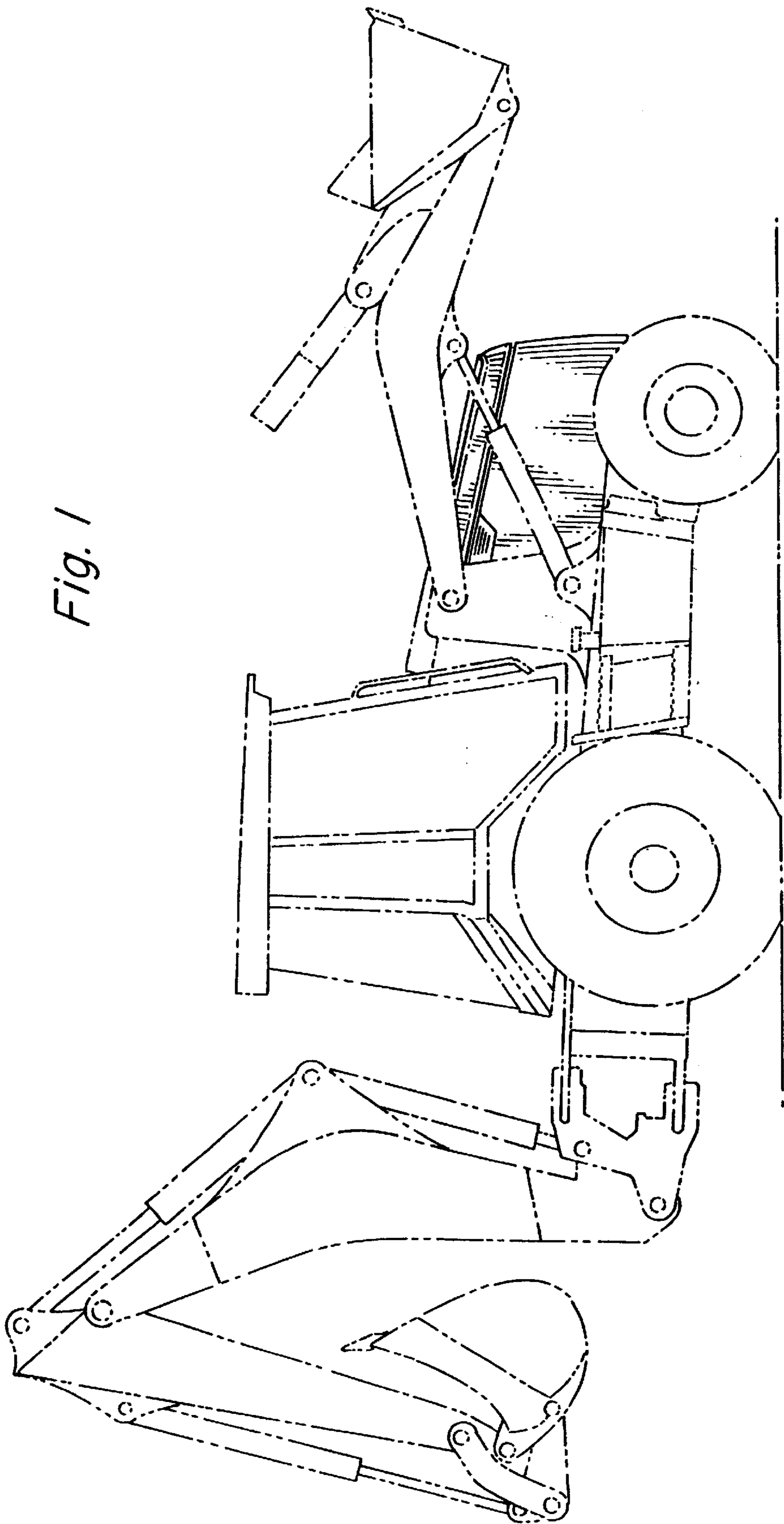
FIG. 5 is a front view of the hood design of FIG. 1; and,

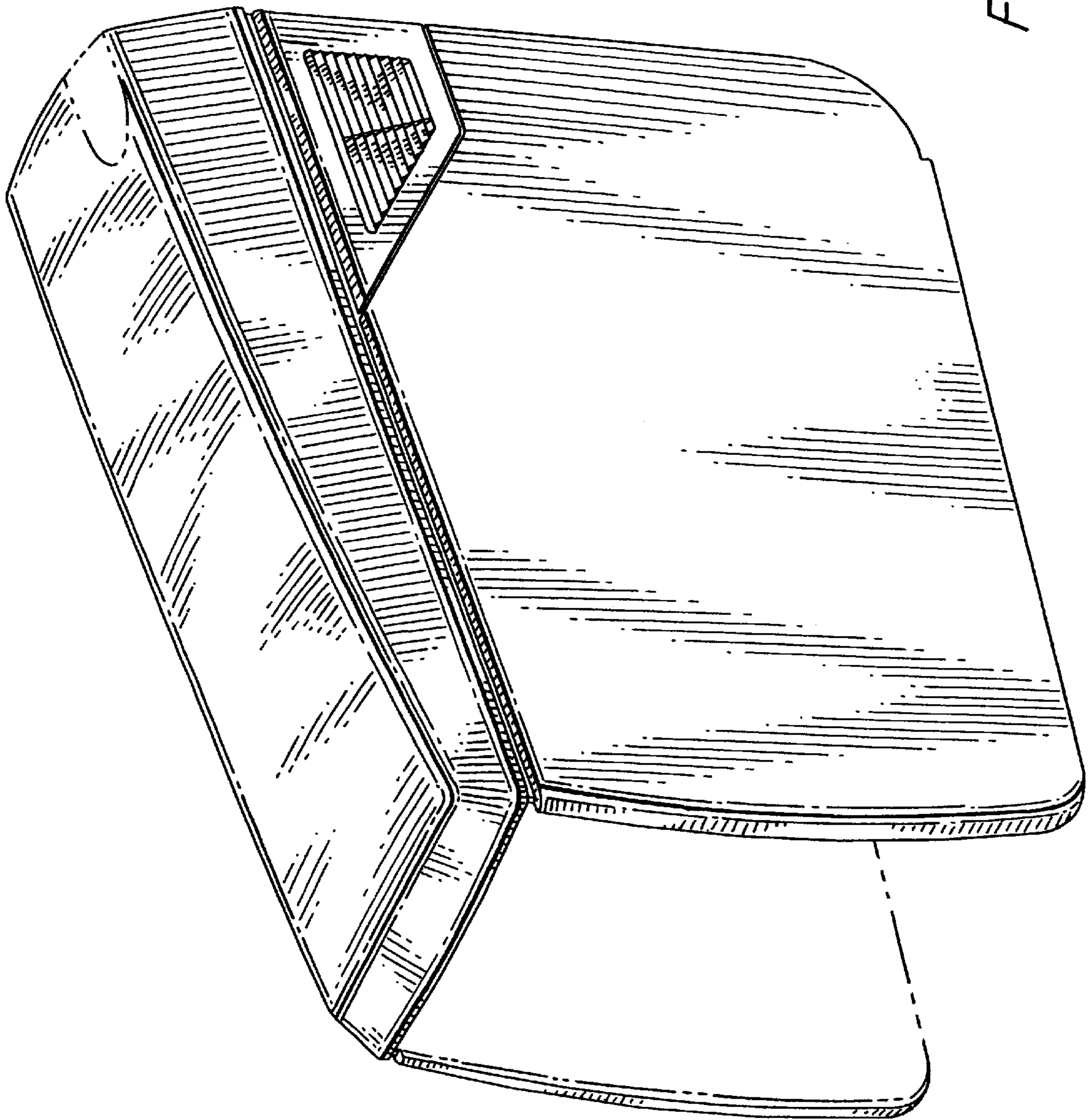
FIG. 6 is a left side view of the hood design of FIG. 1.

**1 Claim, 4 Drawing Sheets**

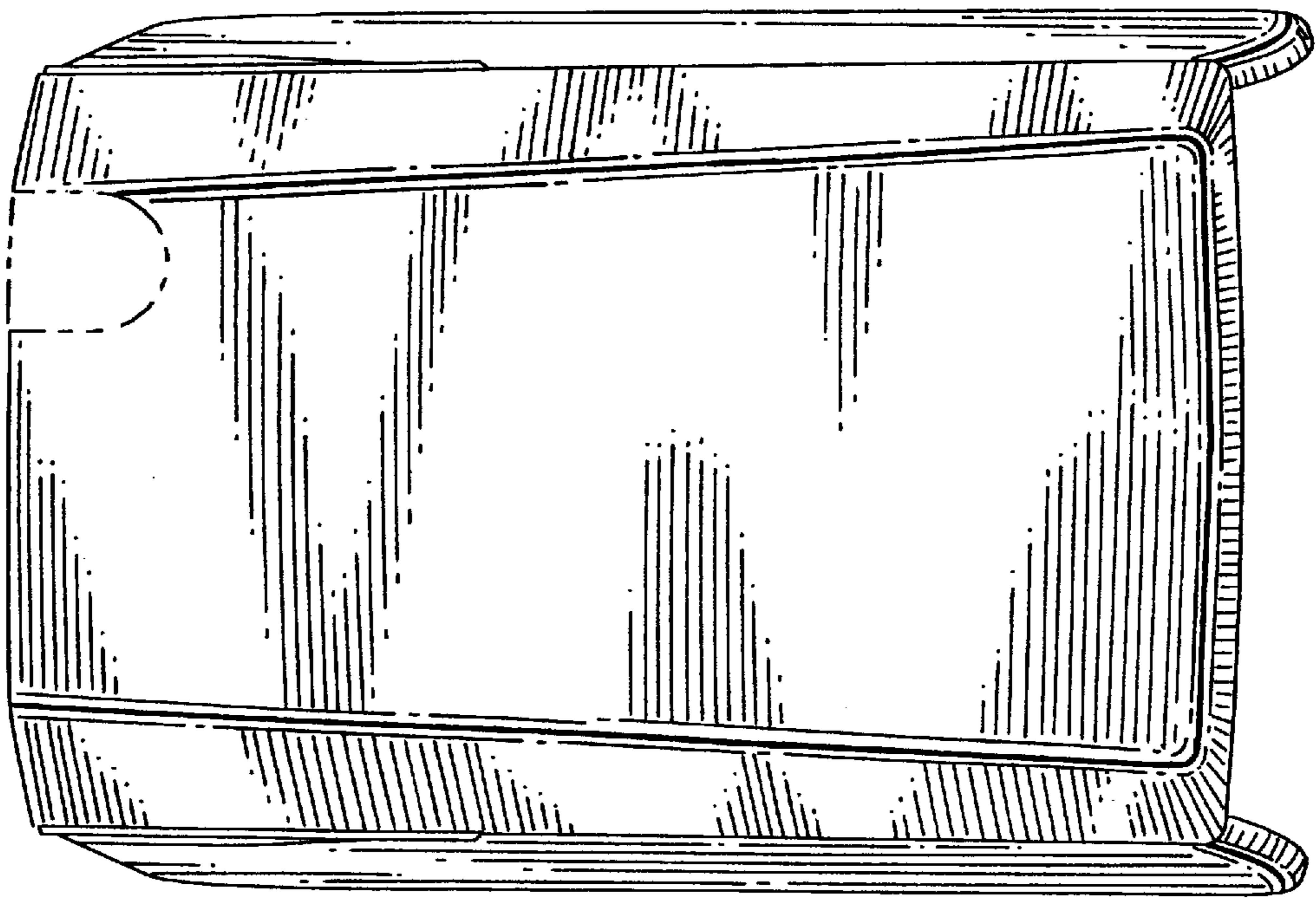


*Fig. 1*

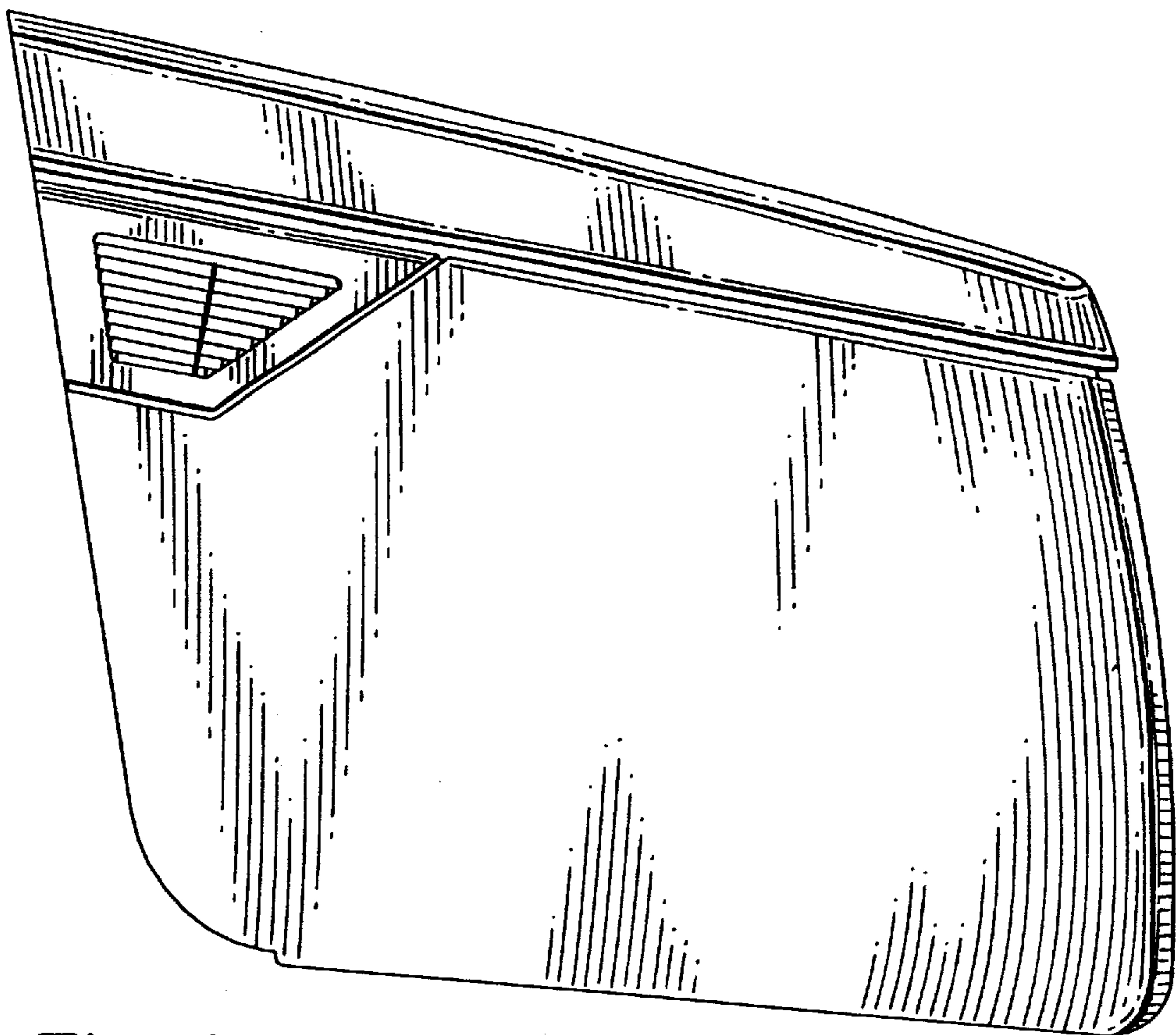




*Fig. 2*



*Fig. 3*



*Fig. 4*

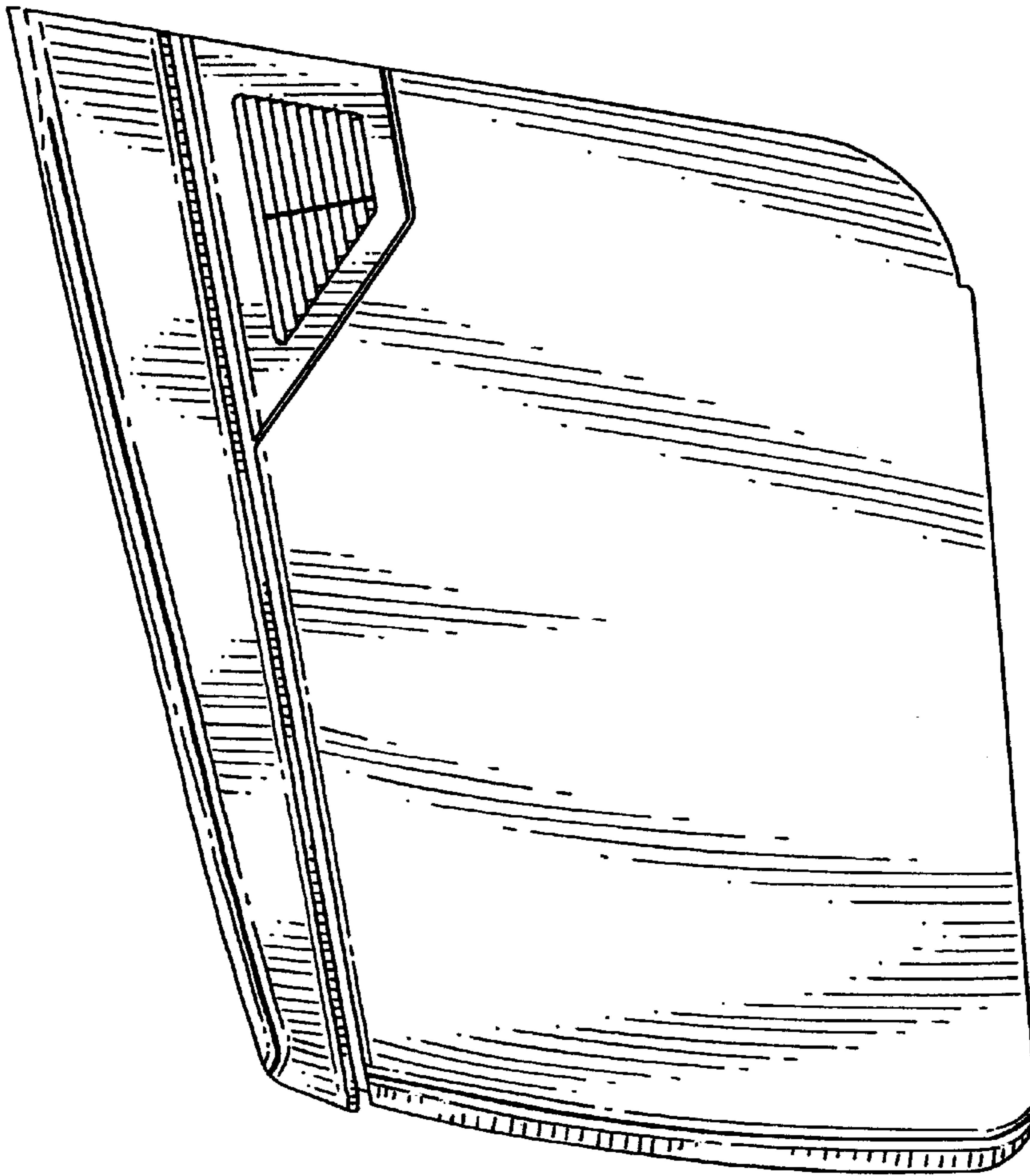


Fig. 6

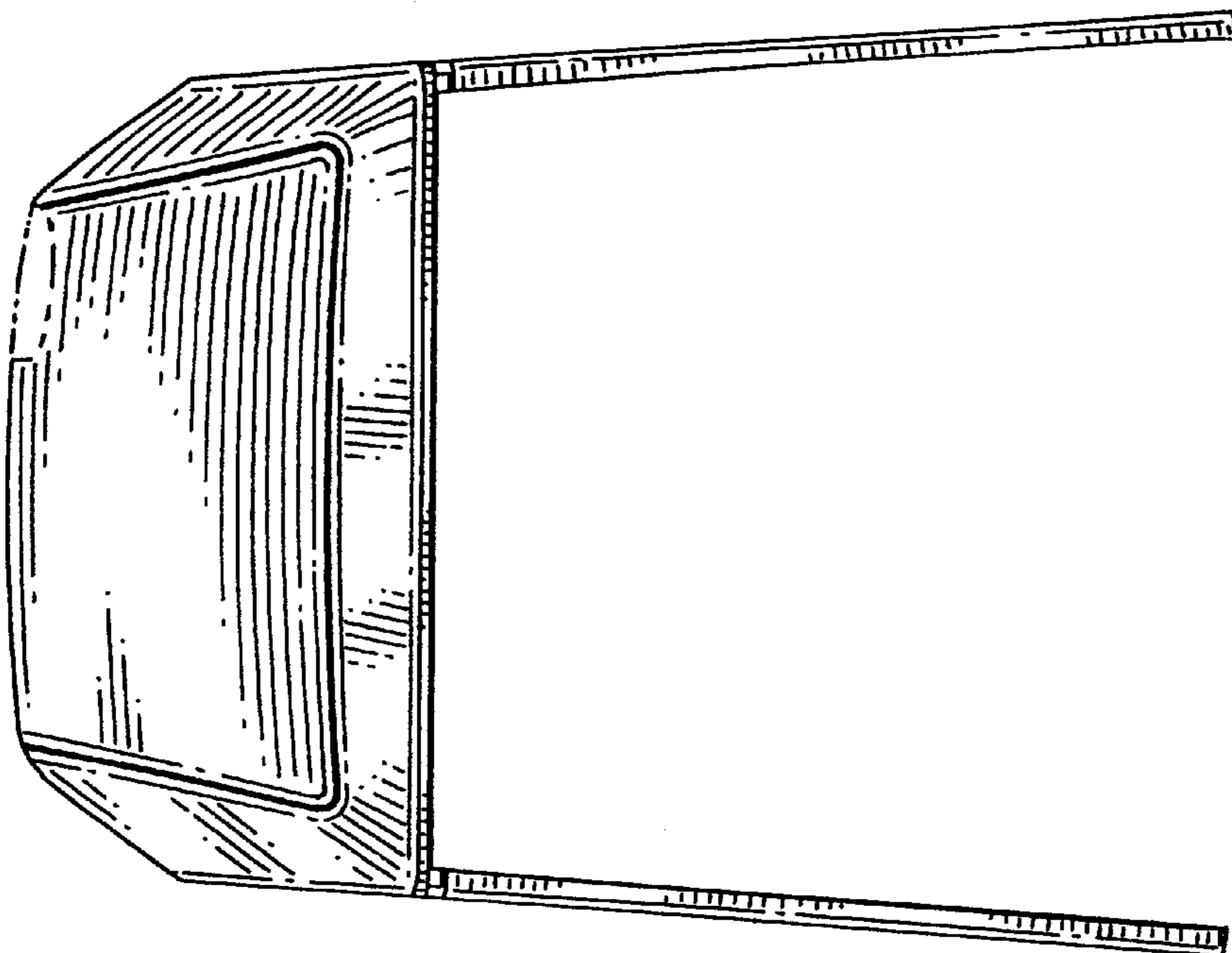


Fig. 5