



US00D447753B1

(12) **United States Design Patent**  
**Goebert et al.**

(10) **Patent No.:** **US D447,753 S**

(45) **Date of Patent:** **\*\* Sep. 11, 2001**

(54) **GRILLE SURFACE**

(75) Inventors: **Barry Joseph Goebert**, Beaver Dam, WI (US); **Bengt Ake Nestell**, Pottstown, PA (US); **Donald Jeffrey Christian**, West Nyack, NY (US); **Jae Hoon Choi**, Belleville, NJ (US)

(73) Assignee: **Deere & Company**, Moline, IL (US)

(\*\*) Term: **14 Years**

(21) Appl. No.: **29/123,714**

(22) Filed: **May 24, 2000**

(51) **LOC (7) Cl.** ..... **15-03**

(52) **U.S. Cl.** ..... **D15/31**

(58) **Field of Search** ..... D15/14-18, 23, D15/28, 31; 56/13.3, 13.4, 16.1, 15.8, 15.9, 16.7, 17.4, 202, 255, 294, 320.1, 320.2; 180/900, 273, 68.6, 69.21

(56) **References Cited**

**U.S. PATENT DOCUMENTS**

D. 209,043	*	10/1967	Purcell et al.	.....	D15/28
D. 230,296		2/1974	Leinhauser et al.	.....	D40/1 E
D. 248,397	*	7/1978	Cognata et al.	.....	D15/15
D. 297,538	*	9/1988	Ogasawara et al.	.....	D15/15
D. 310,374		9/1990	Westimayer et al.	.....	D15/15
D. 354,756	*	1/1995	Hinklin	.....	D15/15

D. 365,573		12/1995	Westimayer et al.	.....	D15/17
D. 365,578		12/1995	Westimayer et al.	.....	D15/31
D. 371,372		7/1996	Westimayer et al.	.....	D15/31
D. 381,341		7/1997	Goebert et al.	.....	D15/31
D. 382,279	*	8/1997	Goebert et al.	.....	D15/31
D. 392,982	*	3/1998	Smith	.....	D15/17
D. 421,266	*	2/2000	Hinklin	.....	D15/15
D. 427,205	*	6/2000	Shimizu	.....	D15/23
D. 440,233	*	4/2001	Smith	.....	D15/17
D. 440,982	*	4/2001	Knight et al.	.....	D15/23
4,620,575	*	11/1986	Cuba et al.	.....	180/307

\* cited by examiner

*Primary Examiner*—Mitchell Siegel

(57) **CLAIM**

The ornamental design for a grille surface, as shown and described.

**DESCRIPTION**

FIG. 1 is an elevated front left perspective view of a grille surface showing our new design, the broken line showing being for illustrative purposes only, and forms no part of the claimed design.

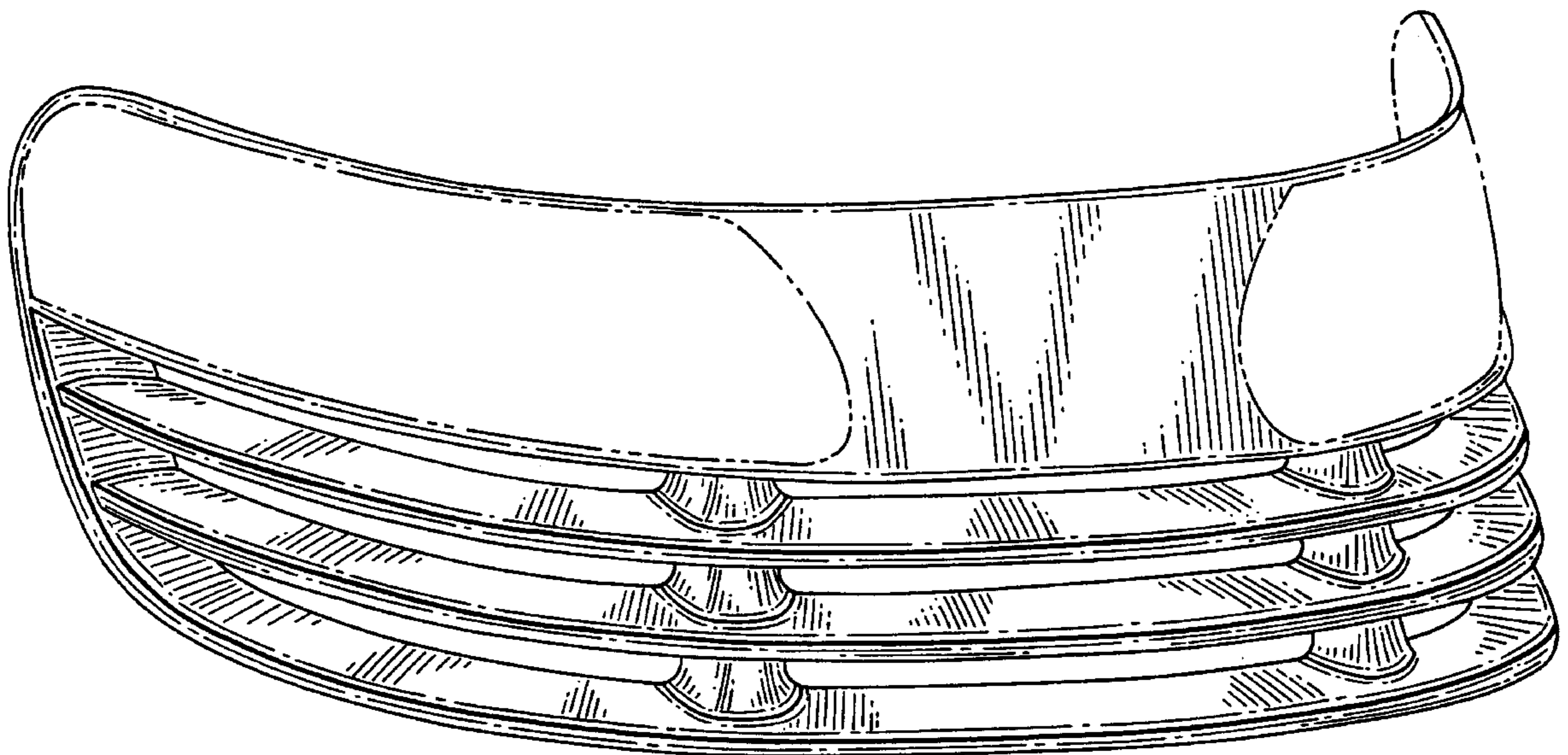
FIG. 2 is a plan view of the grille surface design of FIG. 1.

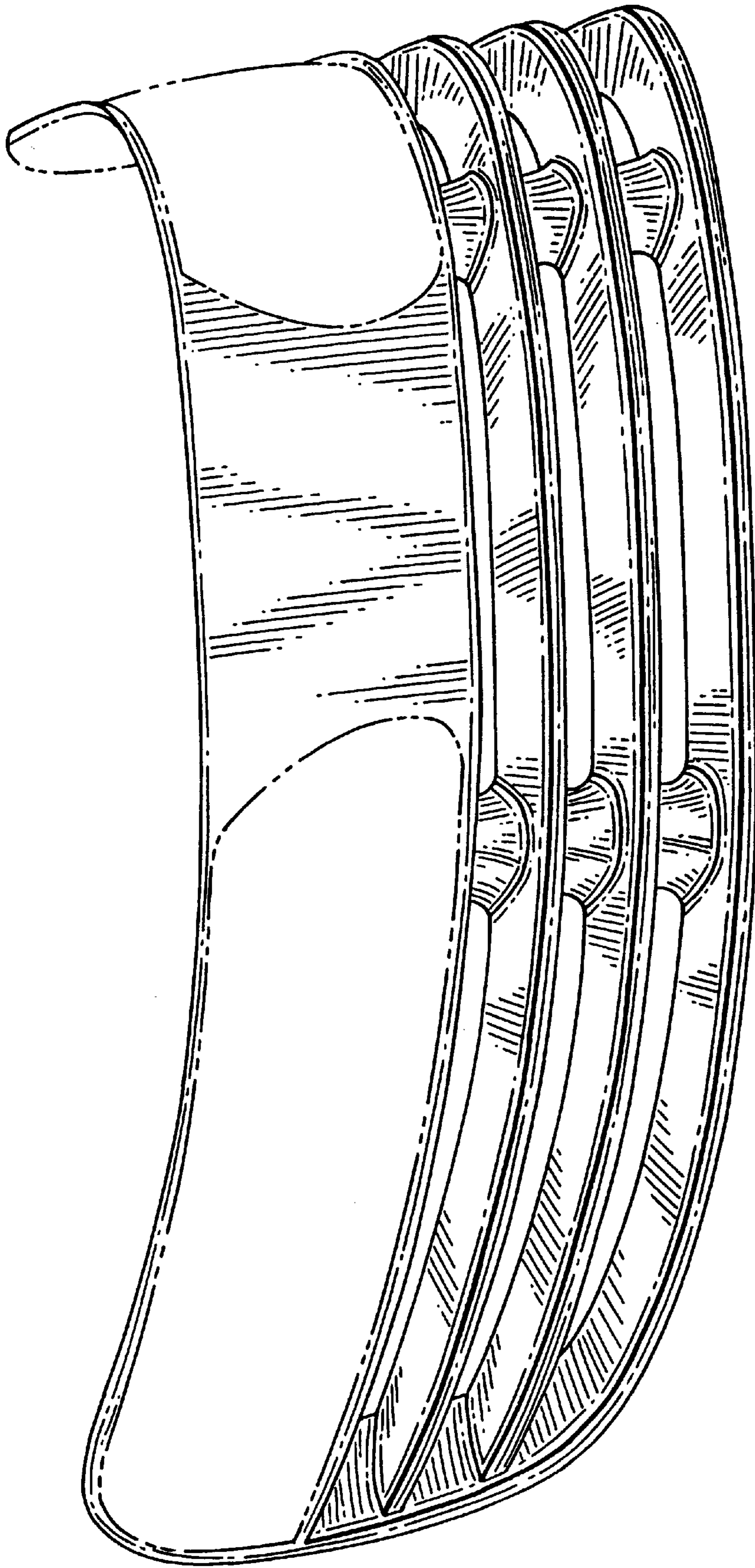
FIG. 3 is a front view of the grille surface design of FIG. 1.

FIG. 4 is a right view of the grille surface design of FIG. 1; and,

FIG. 5 is a left view of the grille surface design of FIG. 1.

**1 Claim, 3 Drawing Sheets**





*Fig. 1*

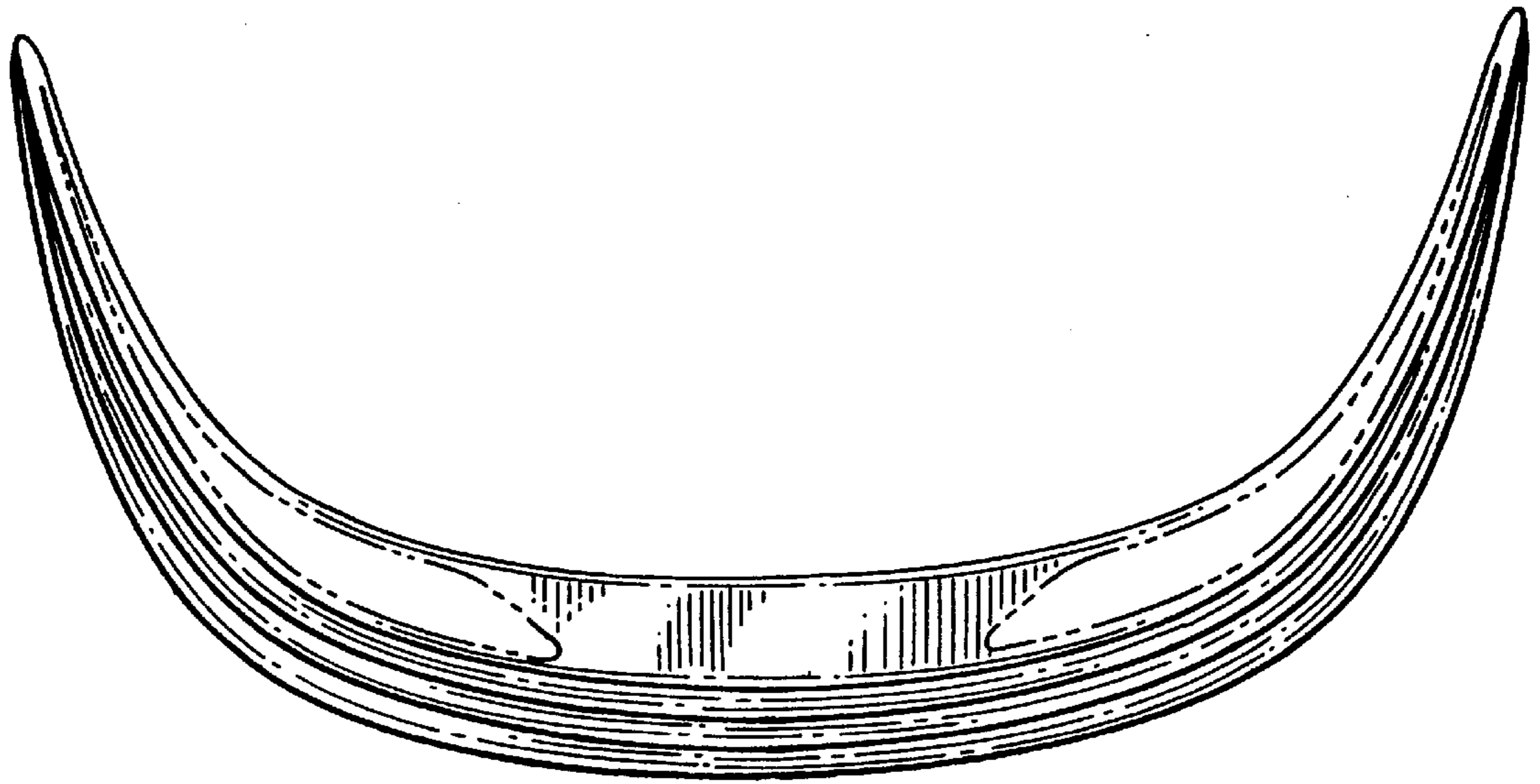


Fig. 2

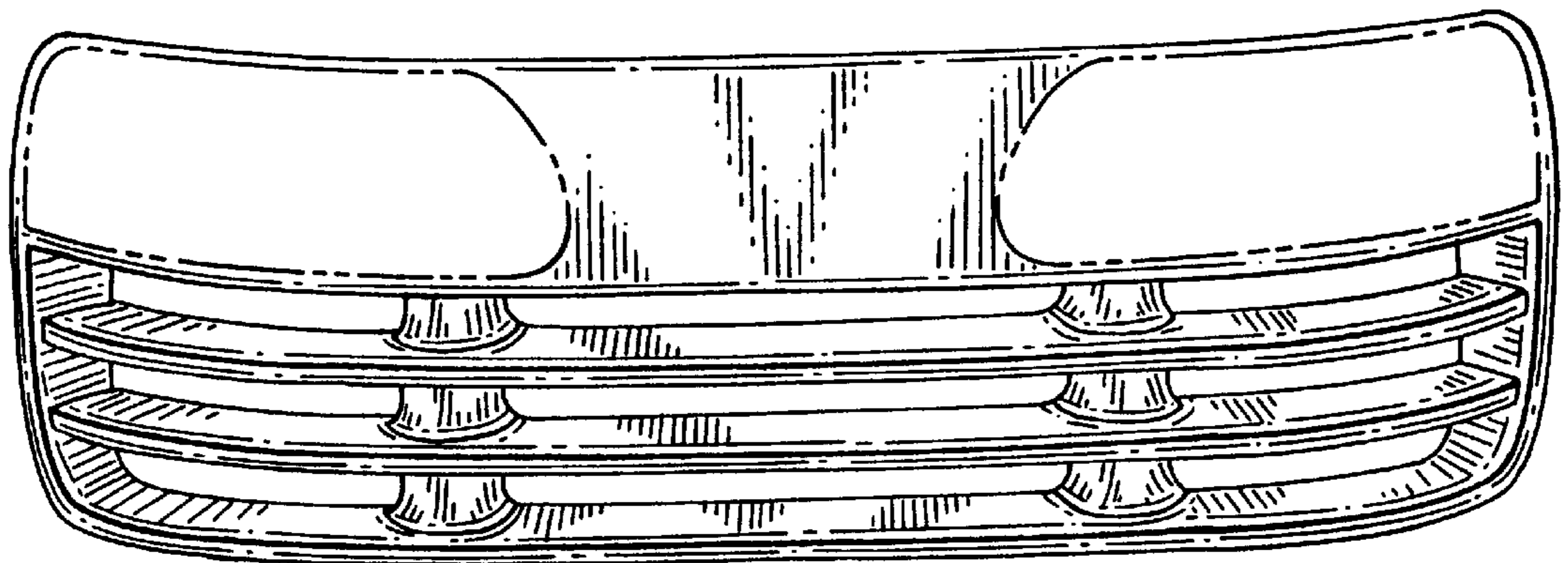


Fig. 3

Fig. 4

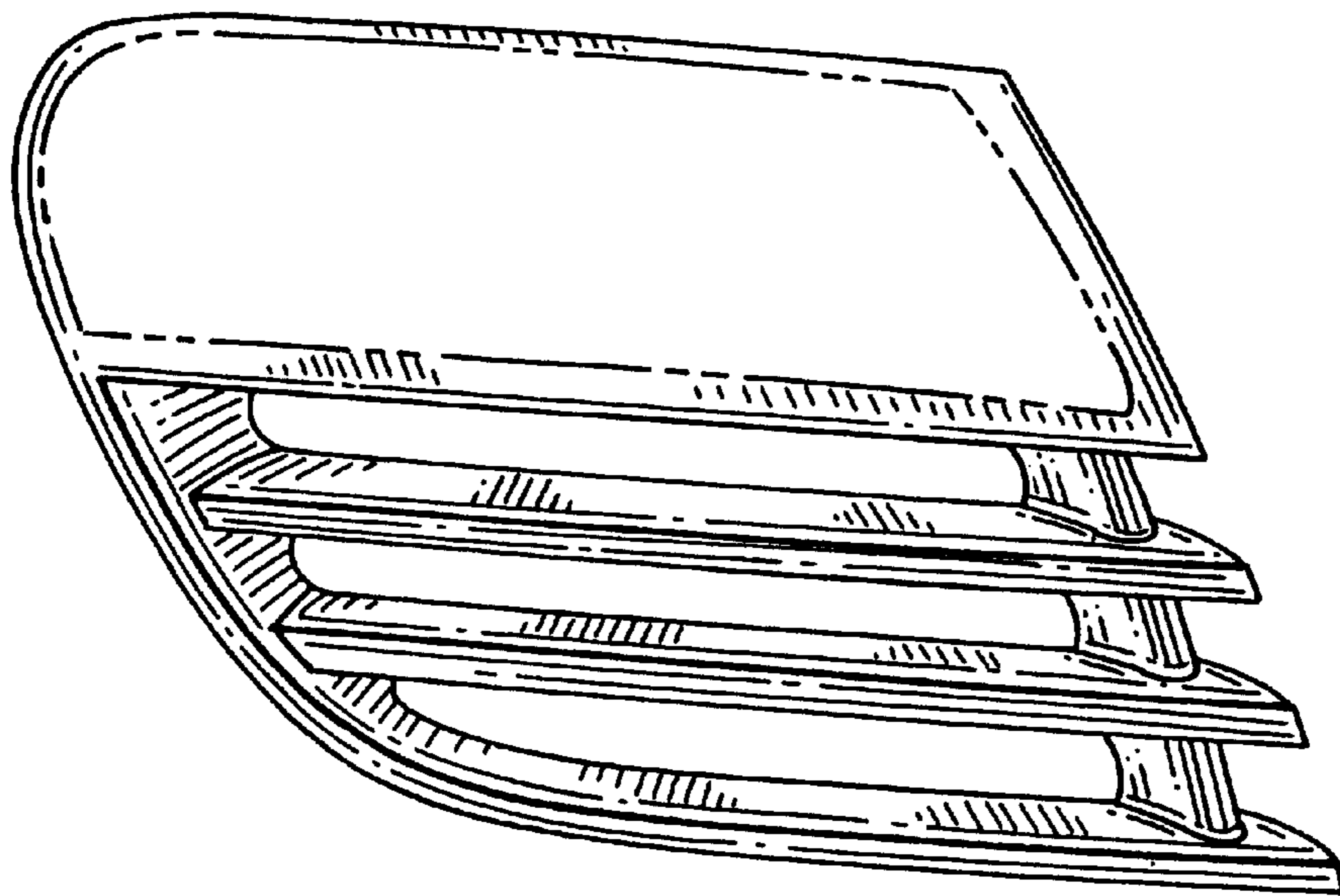
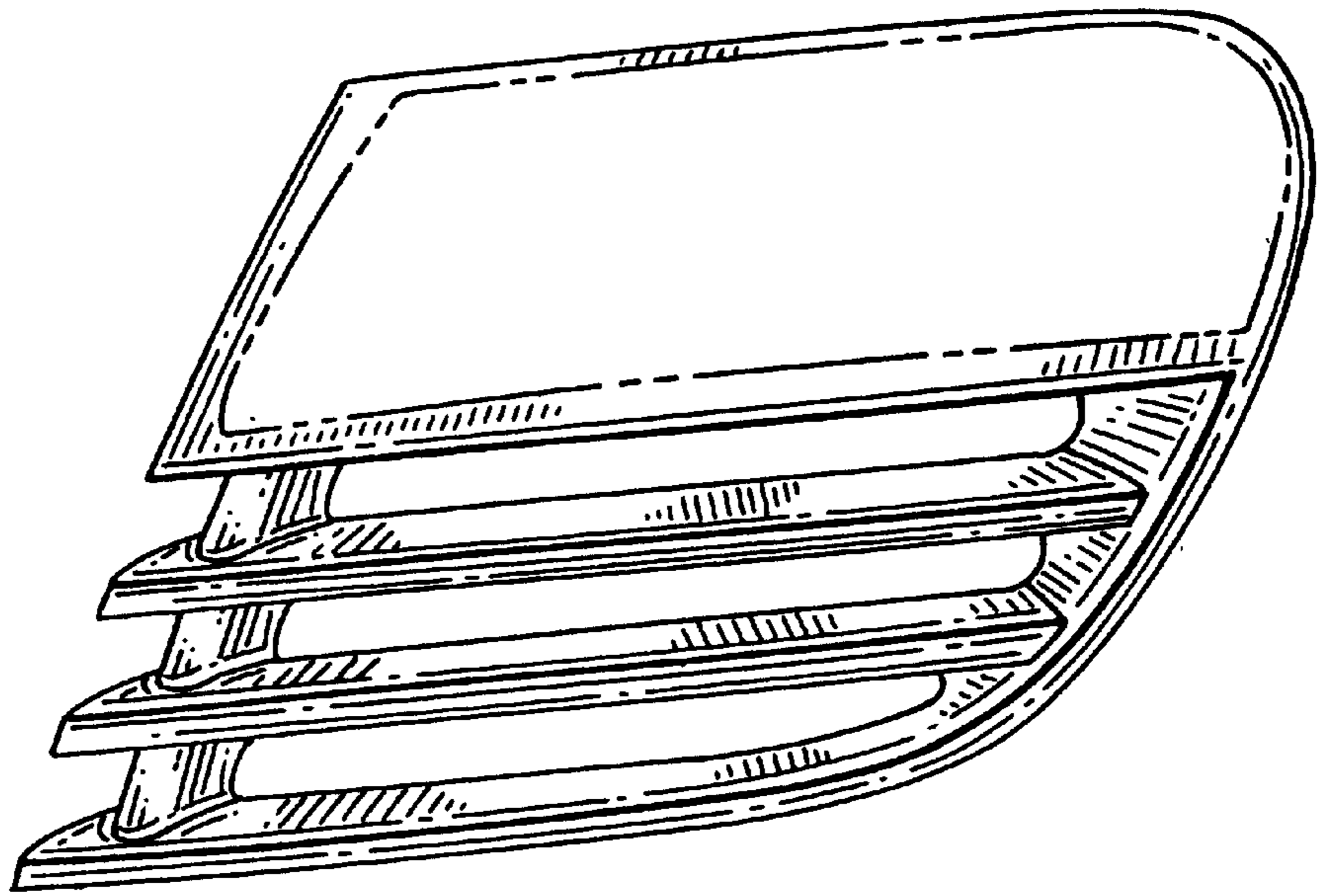


Fig. 5