



US00D447750B1

(12) **United States Design Patent** (10) **Patent No.:** **US D447,750 S**
Bell (45) **Date of Patent:** **** Sep. 11, 2001**

(54) **COMPUTER DISPLAY ACCESSORY**

(74) *Attorney, Agent, or Firm*—Salter & Michaelson

(75) **Inventor:** **Jonathan Bell**, Providence, RI (US)

(57) **CLAIM**

(73) **Assignee:** **Innov8, Incorporated**, Pawtucket, RI (US)

The ornamental design for a computer display accessory, as shown and described.

(**) **Term:** **14 Years**

DESCRIPTION

(21) **Appl. No.:** **29/119,007**

FIG. 1 is a perspective view of a computer display accessory showing my new design, on a reduced scale, the broken line drawing of a computer is shown for illustrative purposes only and forms no part of the claimed design;

(22) **Filed:** **Feb. 22, 2000**

FIG. 2 is a perspective view thereof, the computer display accessory is shown in an alternate position, on a reduced scale, the broken line drawing of a computer is shown for illustrative purposes only and forms no part of the claimed design;

(51) **LOC (7) Cl.** **14-02**

(52) **U.S. Cl.** **D14/448**

(58) **Field of Search** D14/432, 439, D14/448, 455; D19/86, 88, 90, 91, 26, 27; 248/442.1, 441.1, 317, 917-24; 359/399, 601-10, 614

FIG. 3 is a perspective view thereof;
FIG. 4 is a front elevational view thereof;
FIG. 5 is a rear elevational view thereof;
FIG. 6 is a top plan view thereof;
FIG. 7 is a bottom plan view thereof
FIG. 8 is a right end view thereof;
FIG. 9 is a left end view thereof;
FIG. 10 is a perspective view of a second embodiment thereof;
FIG. 11 is a front elevational view thereof;
FIG. 12 is a rear elevational view thereof;
FIG. 13 is a top plan view thereof;
FIG. 14 is a bottom plan view thereof;
FIG. 15 is a right end view thereof;
FIG. 16 is a left end view thereof;
FIG. 17 is a perspective view of a third embodiment thereof;
FIG. 18 is a front elevational view thereof;
FIG. 19 is a rear elevational view thereof;
FIG. 20 is a top plan view thereof;
FIG. 21 is a bottom plan view thereof
FIG. 22 is a right end view thereof; and,
FIG. 23 is a left end view thereof.

(56) **References Cited**

U.S. PATENT DOCUMENTS

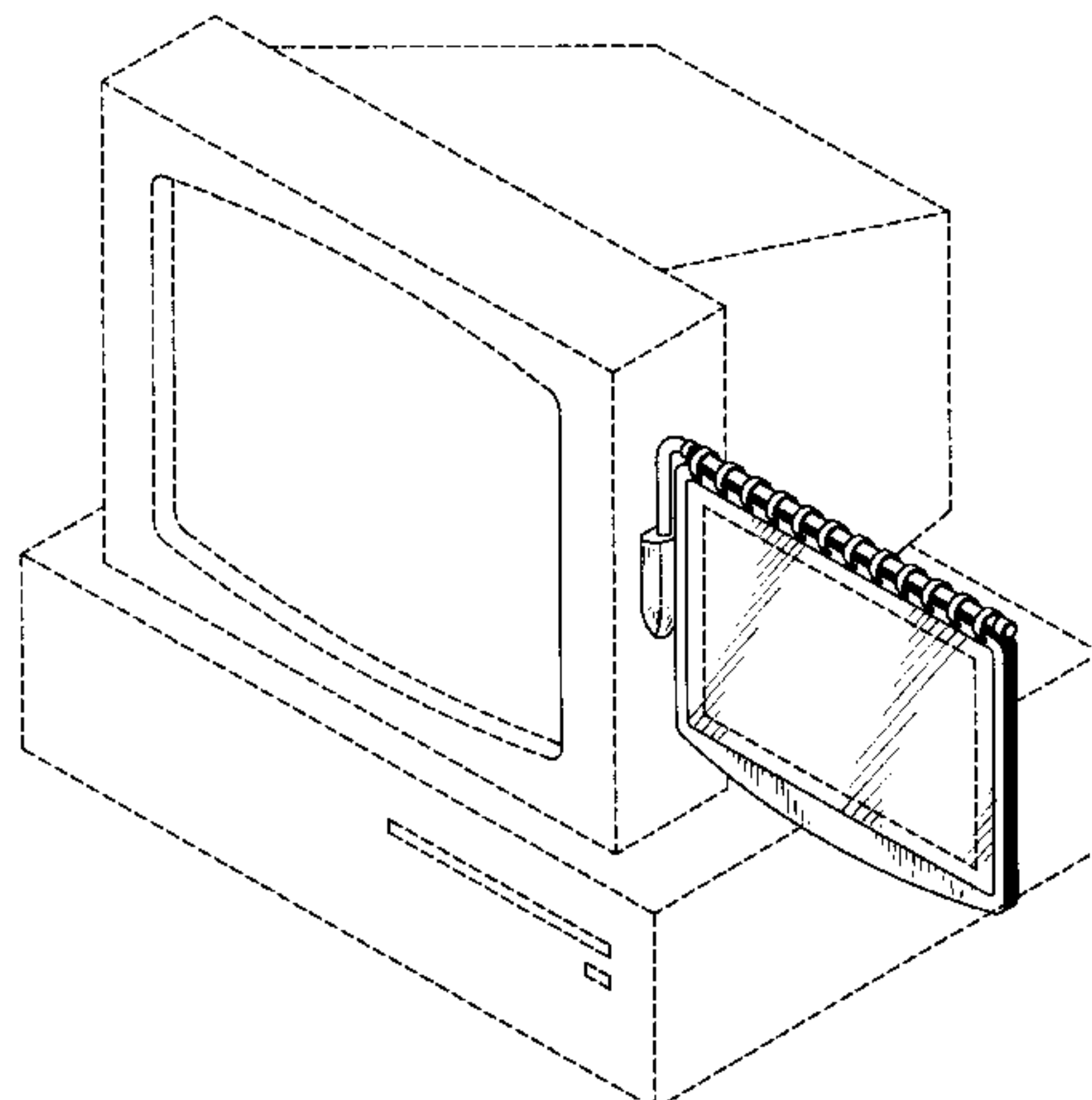
- D. 291,997 * 9/1987 Duffin, II .
- D. 316,275 4/1991 Davis et al. .
- D. 318,297 7/1991 Chu .
- D. 327,502 6/1992 Maloney .
- D. 351,419 10/1994 Goekler .
- D. 357,008 * 4/1995 Pohlman .
- D. 412,893 * 8/1999 Newman .
- D. 436,593 * 1/2001 Narotzky .
- 4,693,443 9/1987 Drain .
- 4,902,078 2/1990 Judd .
- 4,934,648 6/1990 Yueh .
- 4,960,257 10/1990 Waters .
- 5,044,593 9/1991 Jones .
- 5,067,681 11/1991 Huang et al. .
- 5,078,358 1/1992 Egly et al. .
- 5,125,612 6/1992 McNeal .
- 5,271,593 12/1993 Kinner et al. .
- 5,383,642 * 1/1995 Strassberg .
- 5,620,162 4/1997 Beckwith et al. .
- 5,687,945 11/1997 Lee .
- 5,901,937 5/1999 Compeau et al. .

* cited by examiner

The broken line feature in the accessory seen from the front and rear views is for illustrative purposes only and forms no part of the claimed design.

Primary Examiner—M. H. Tung

1 Claim, 12 Drawing Sheets



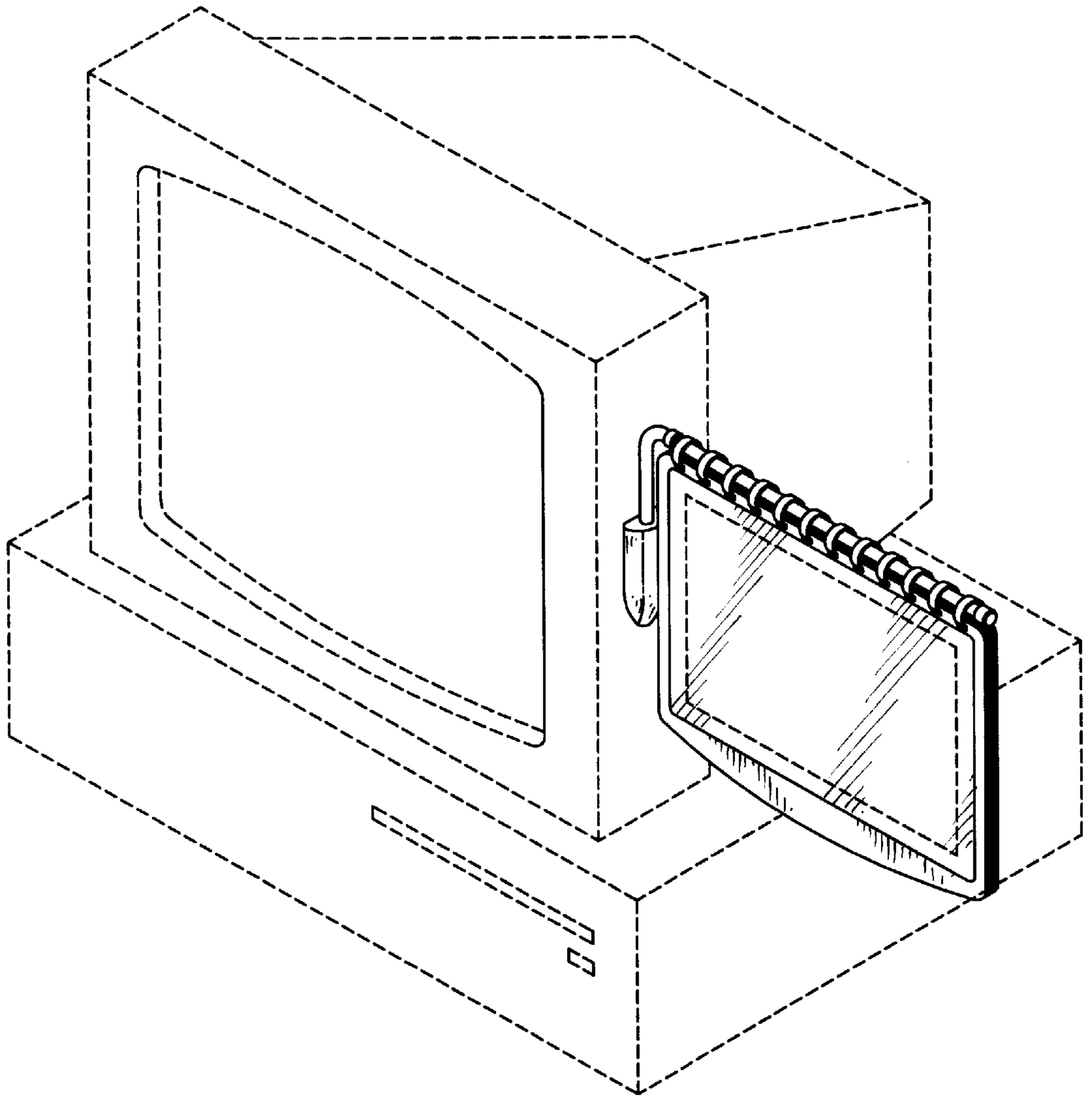


FIG. 1

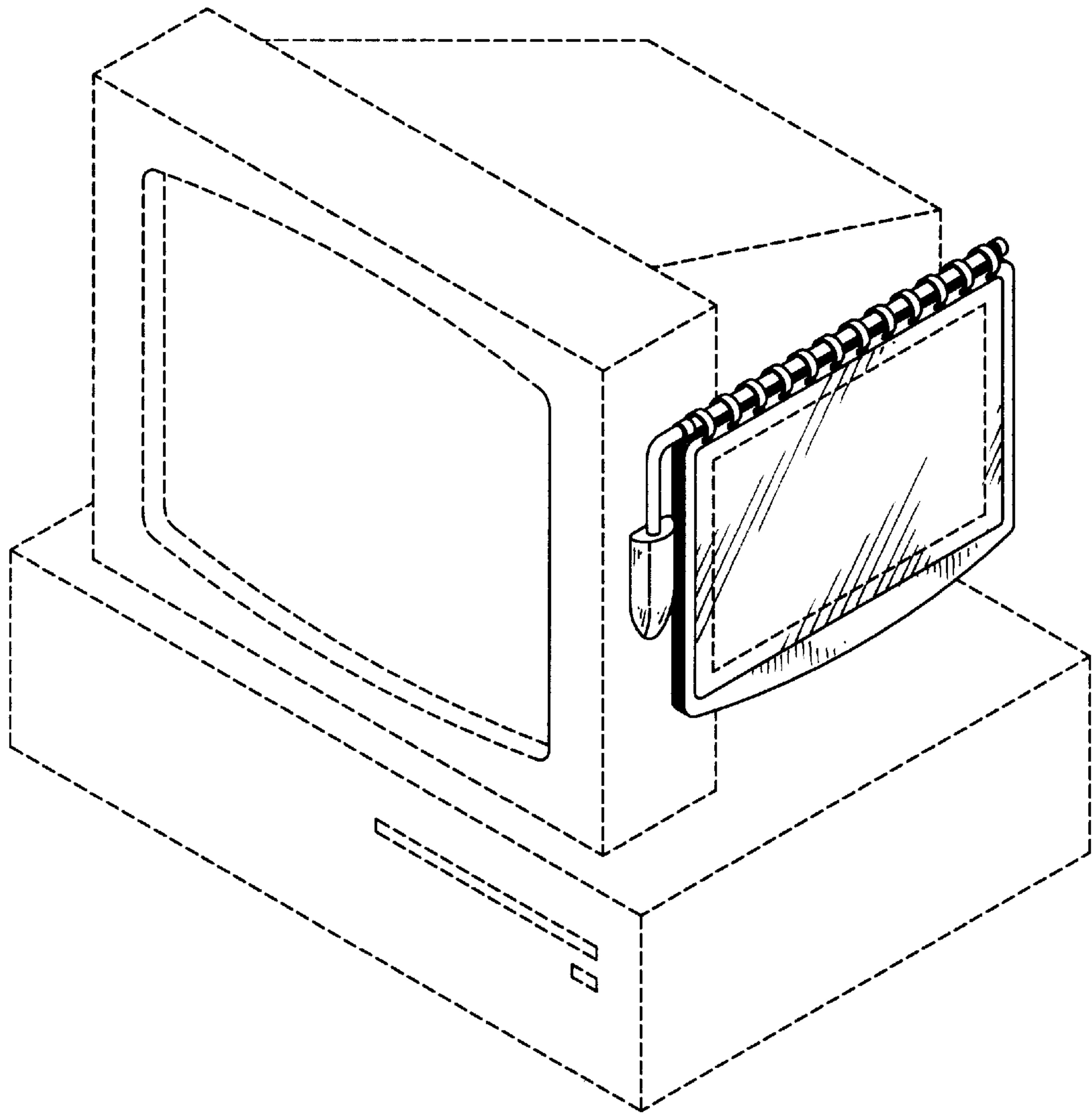


FIG. 2

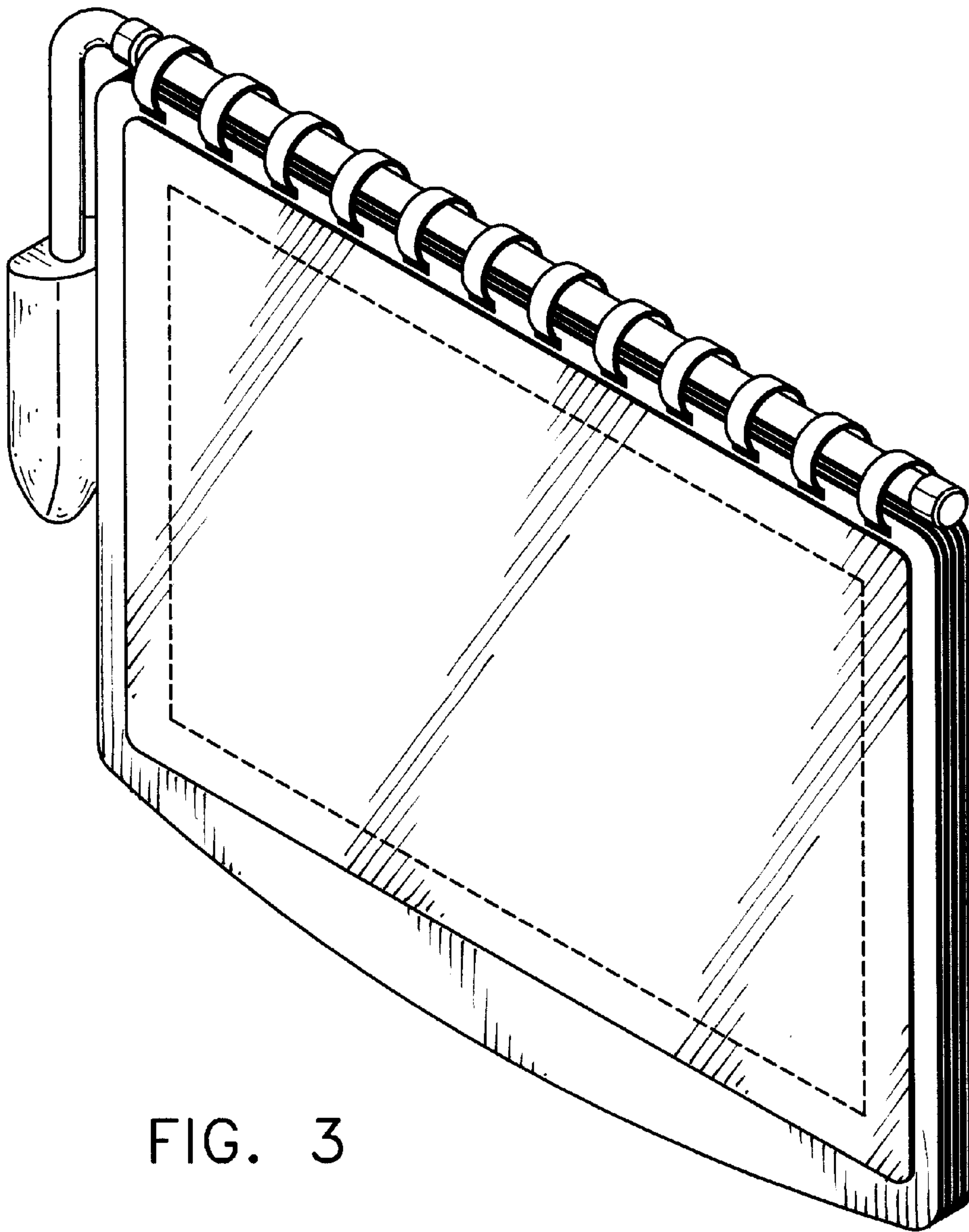


FIG. 3

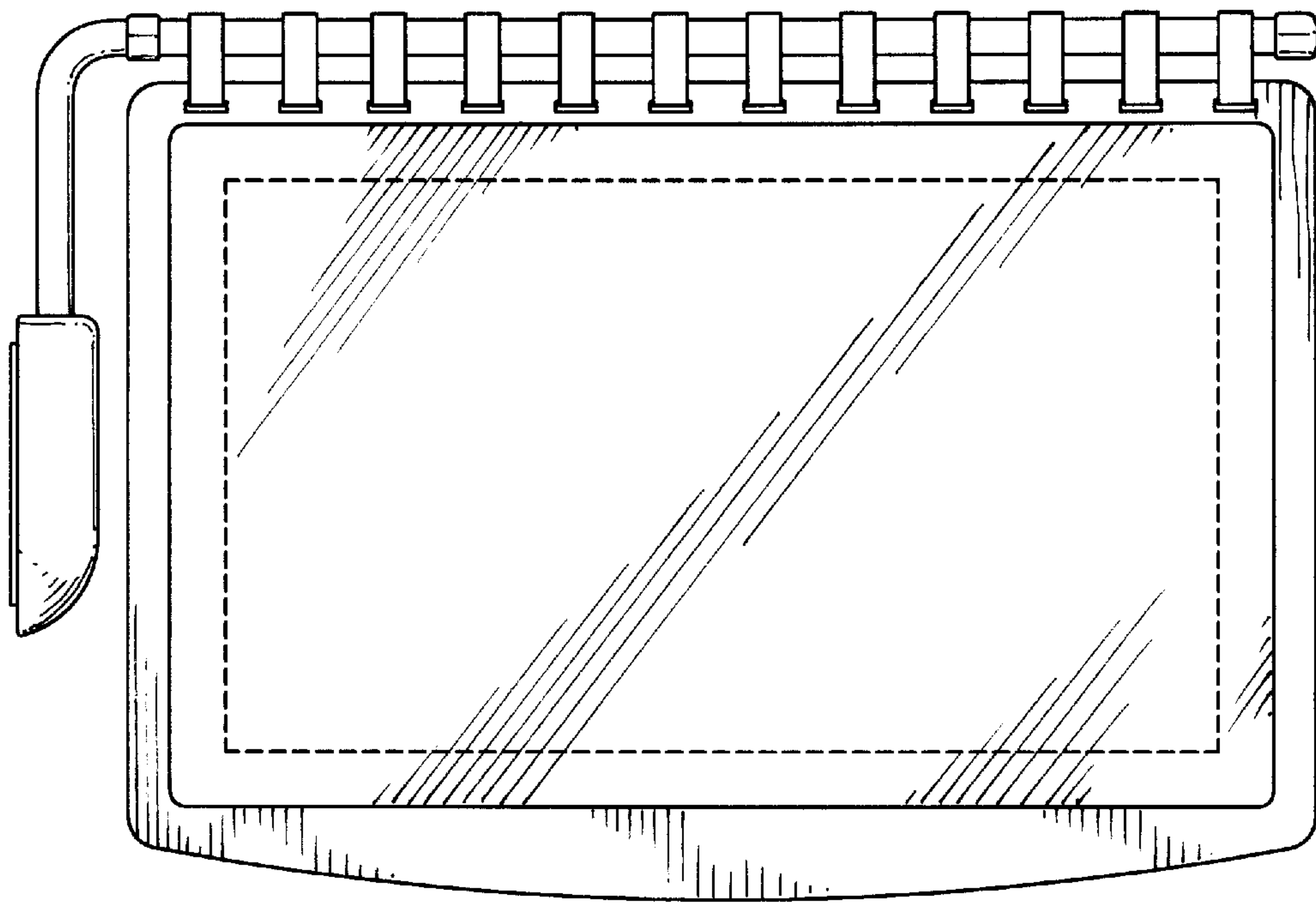


FIG. 4

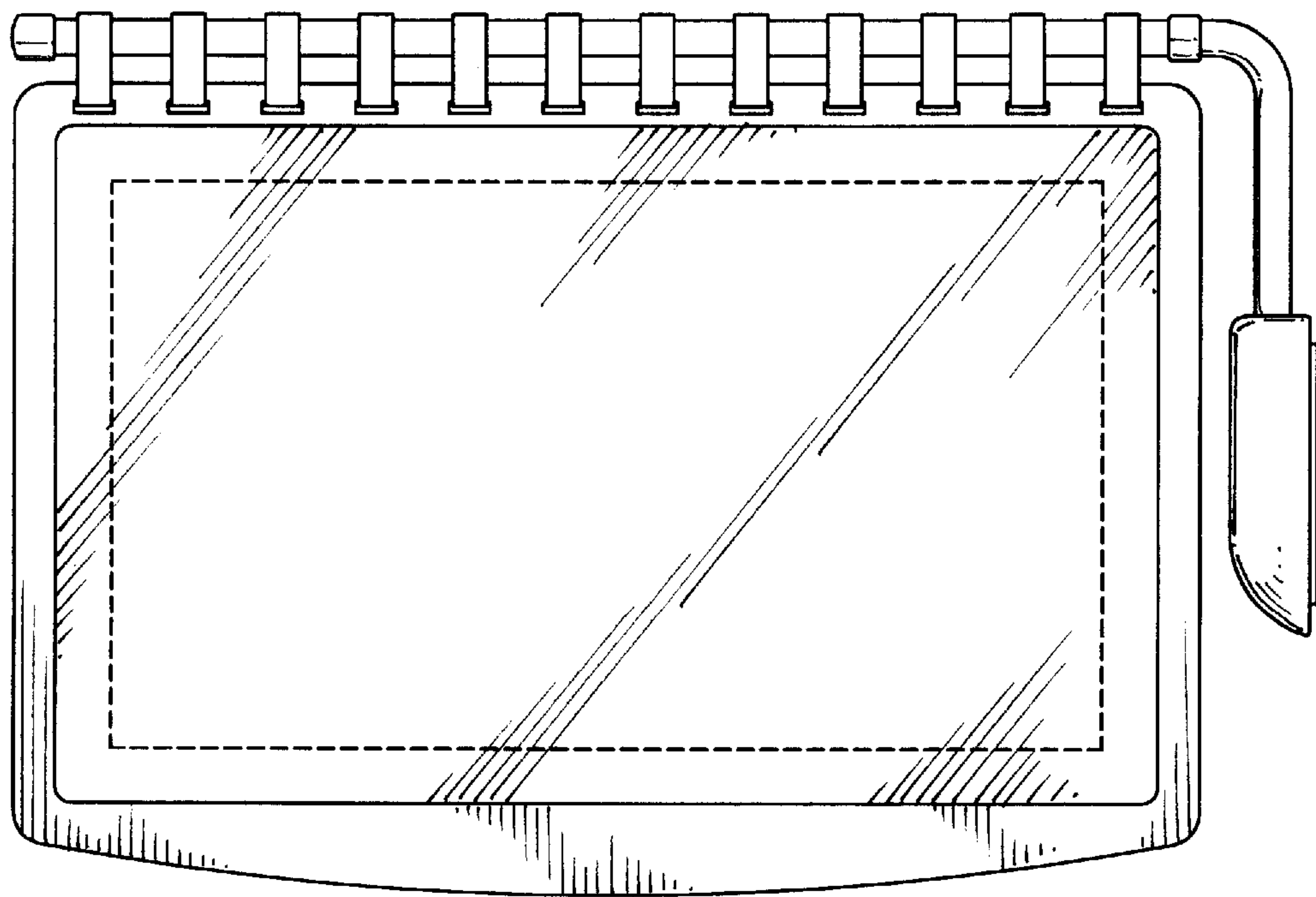


FIG. 5

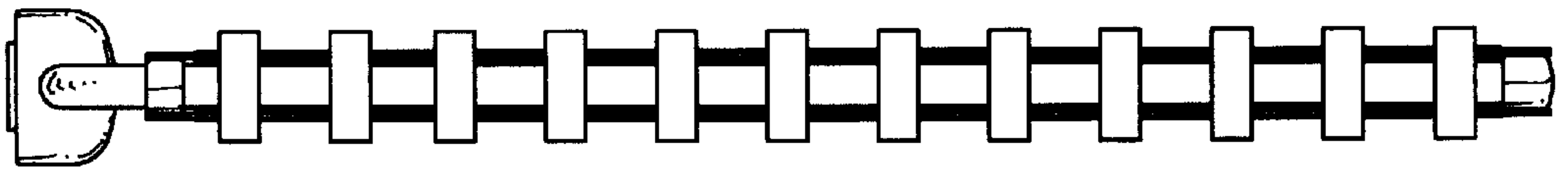


FIG. 6

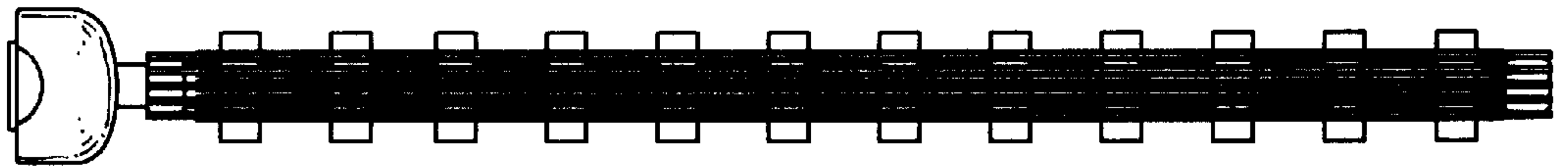


FIG. 7

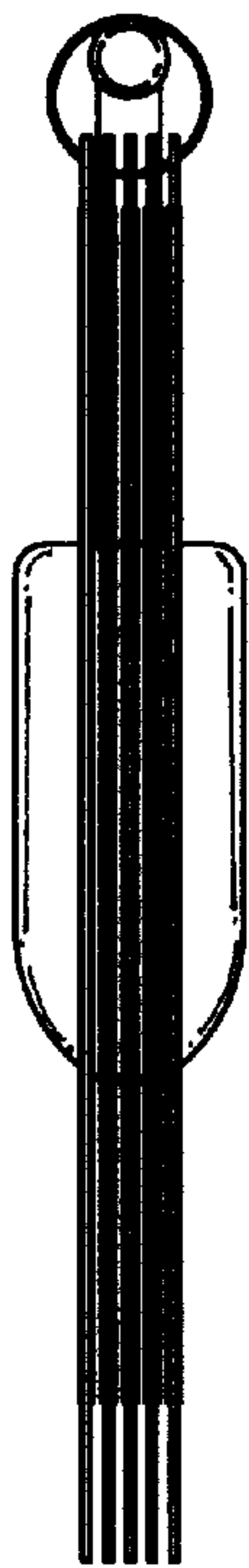


FIG. 8

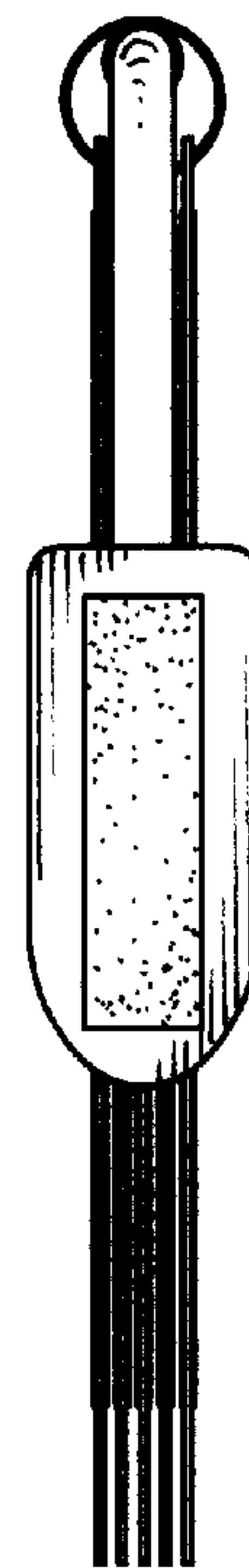


FIG. 9

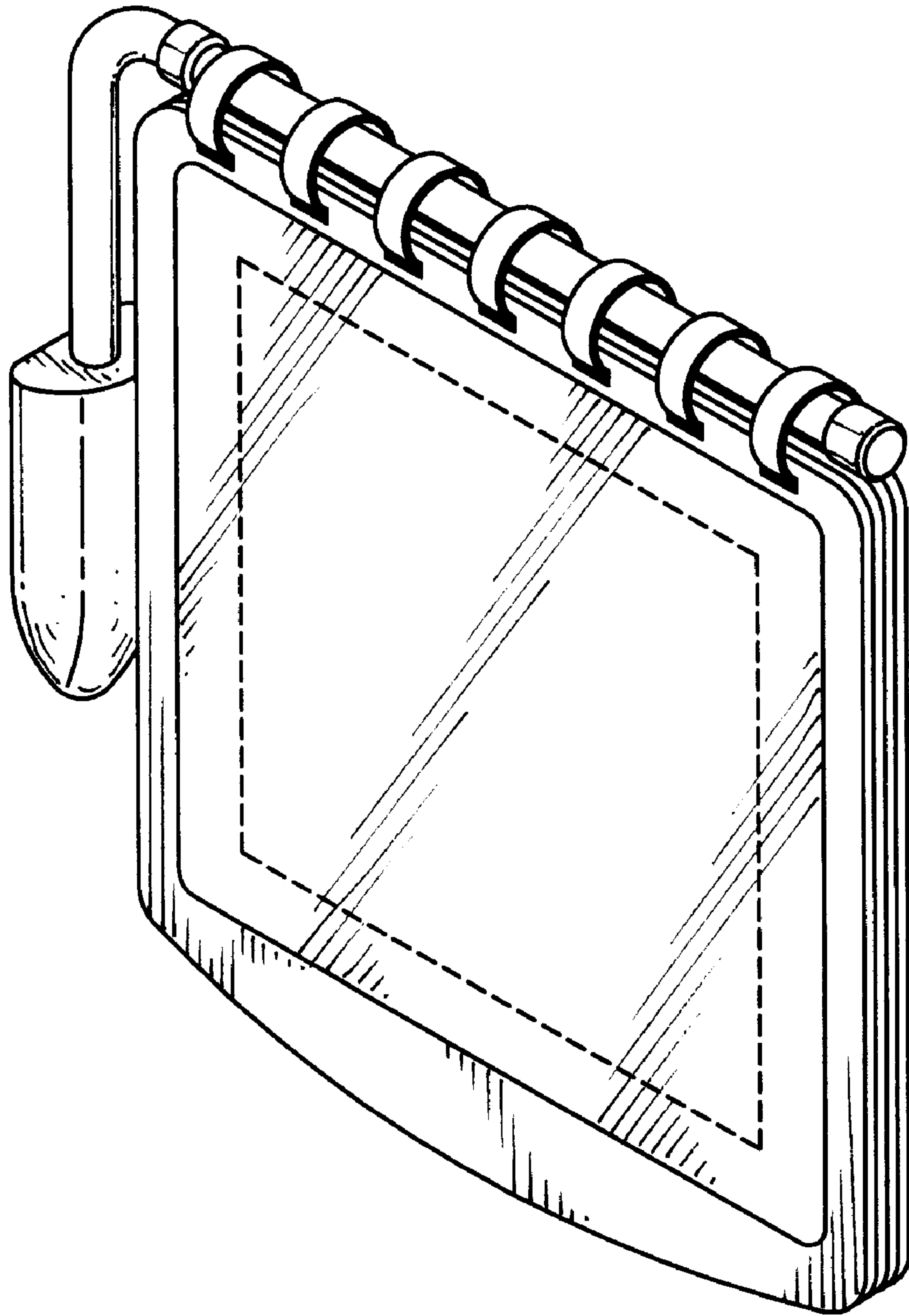


FIG. 10

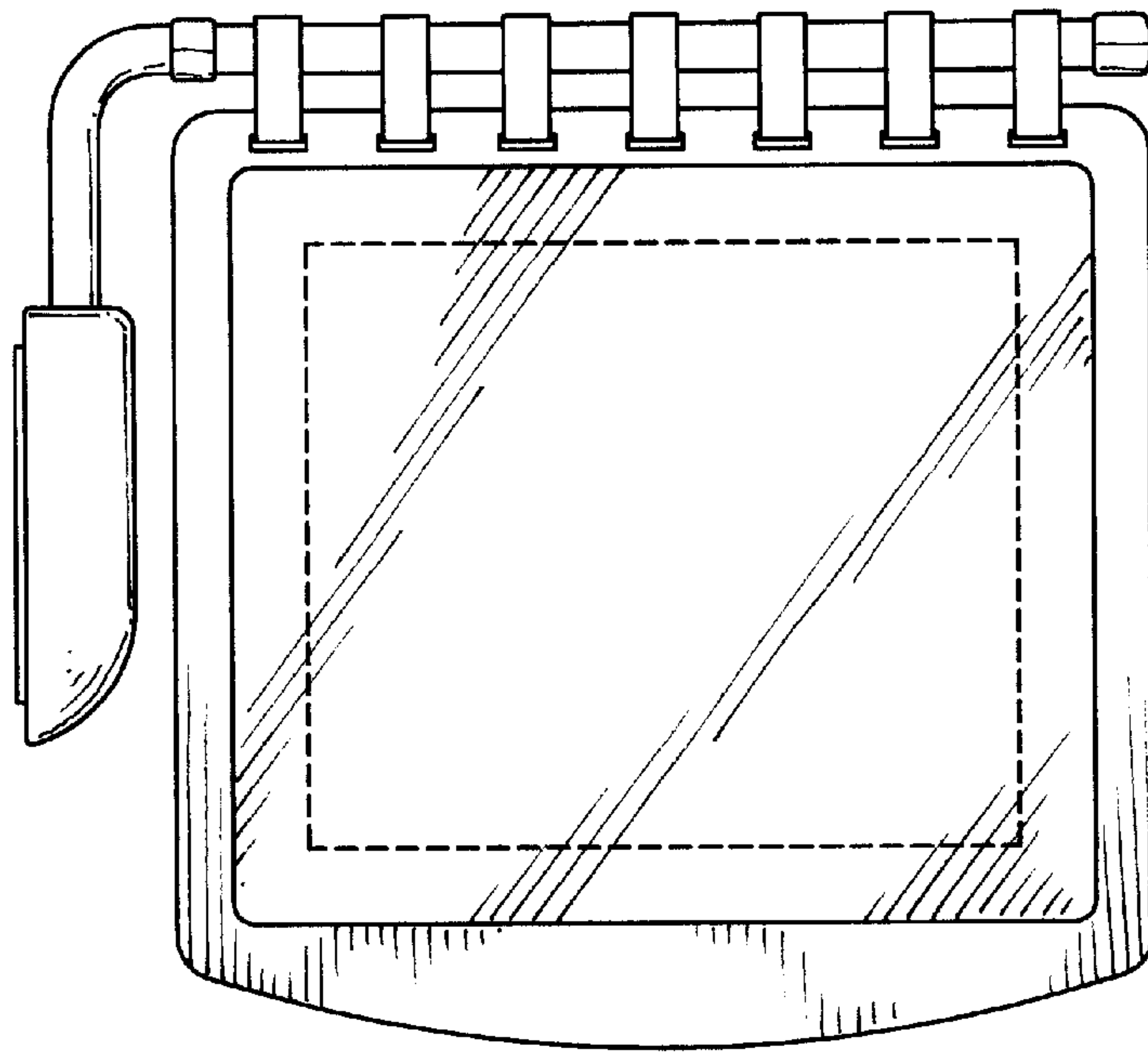


FIG. 11

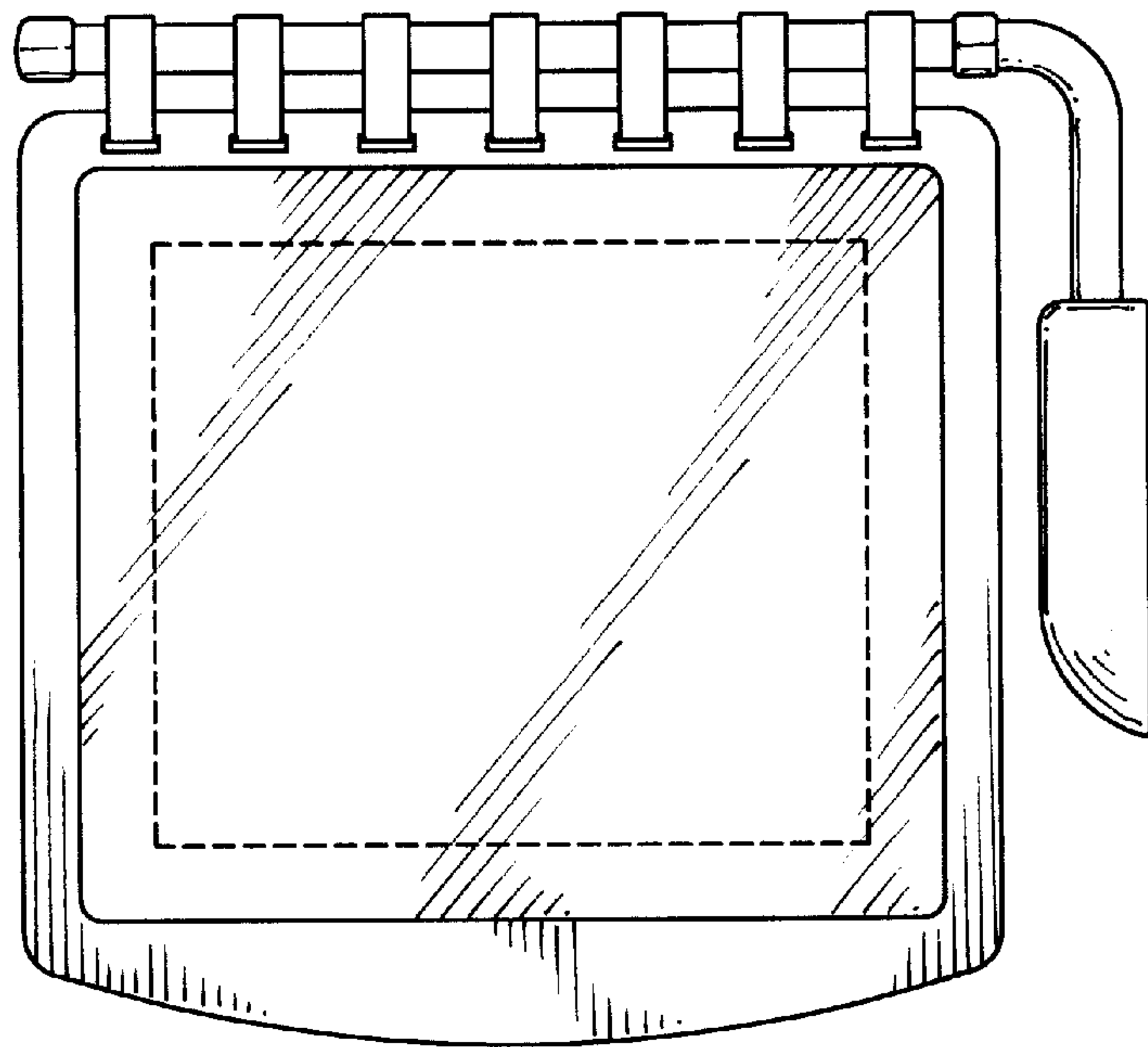


FIG. 12

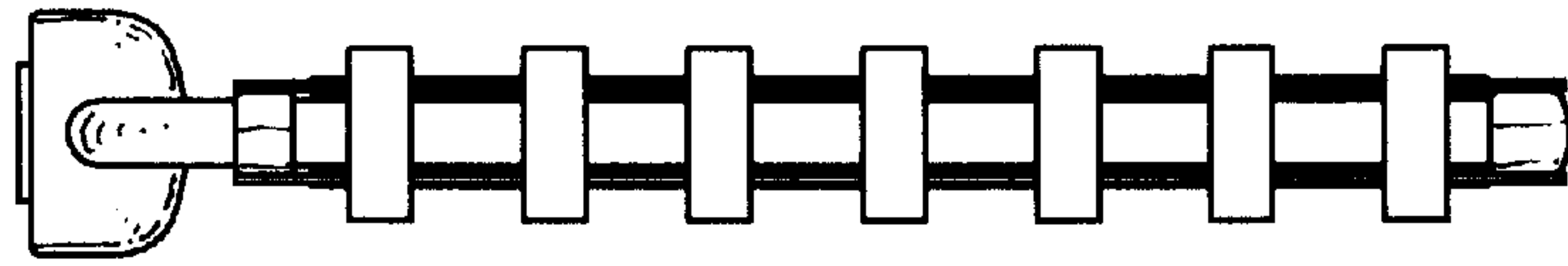


FIG. 13



FIG. 14

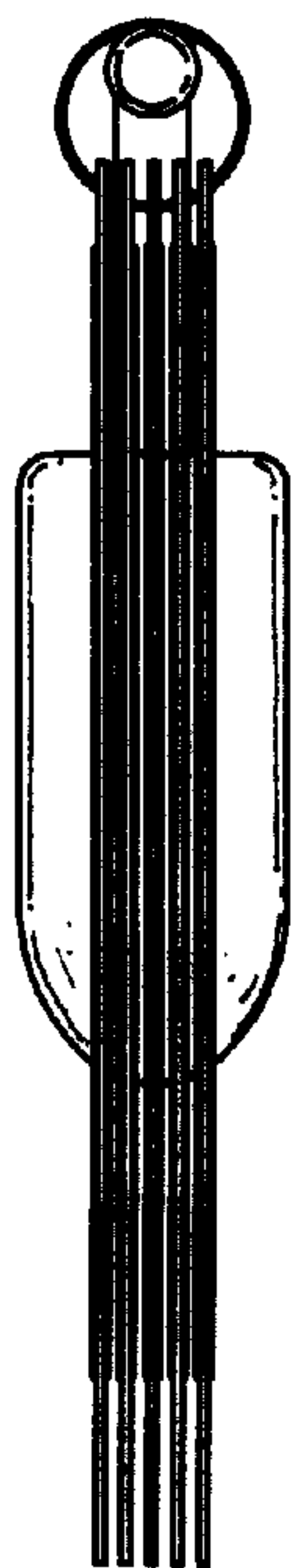


FIG. 15

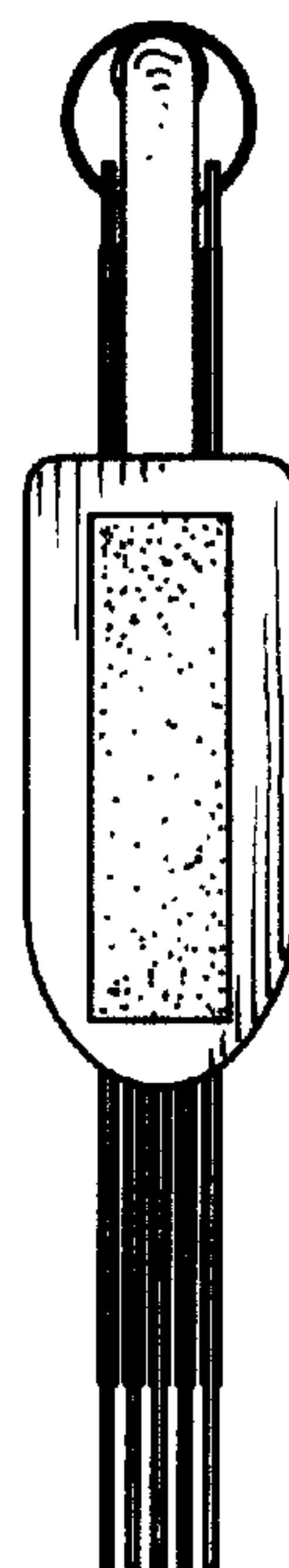


FIG. 16

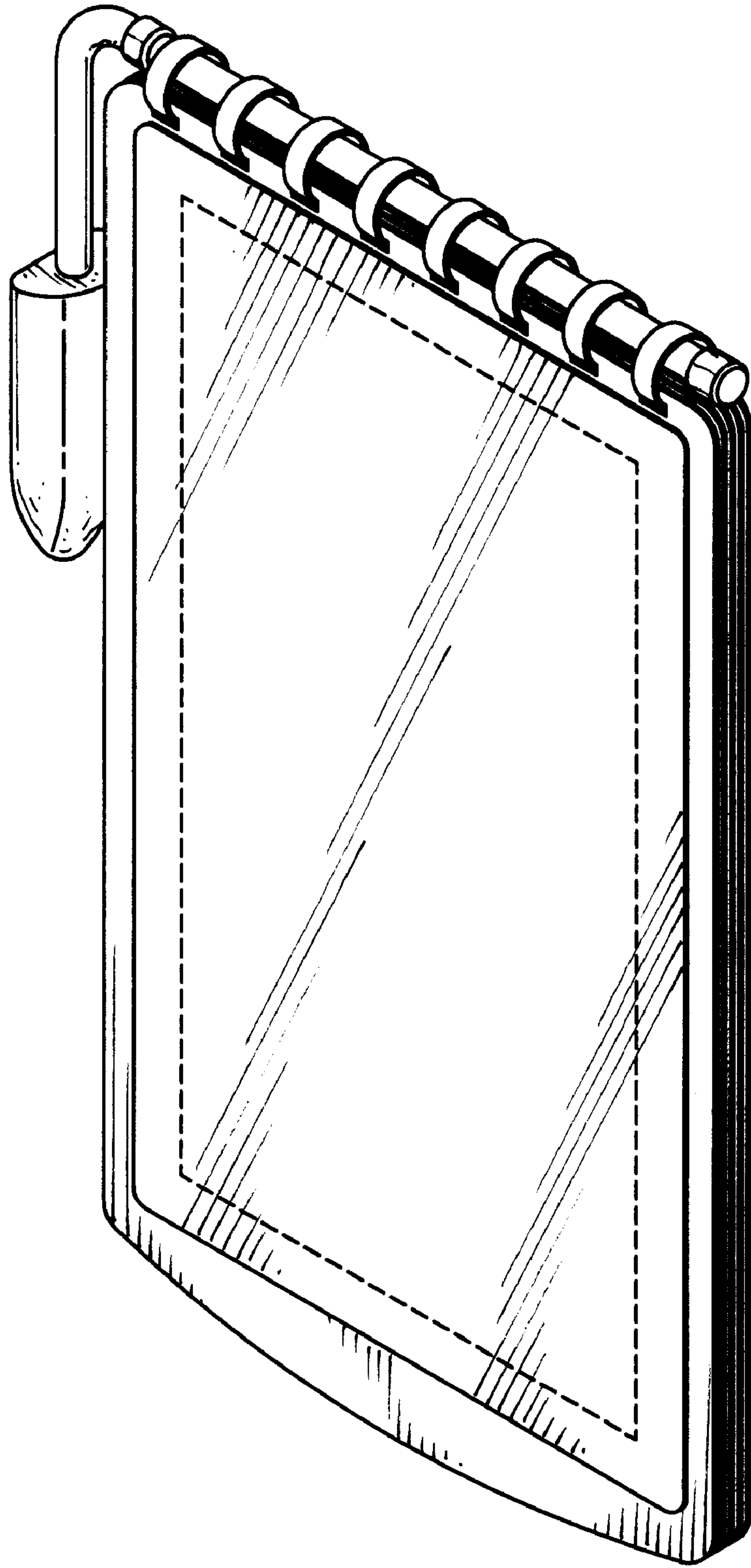


FIG. 17

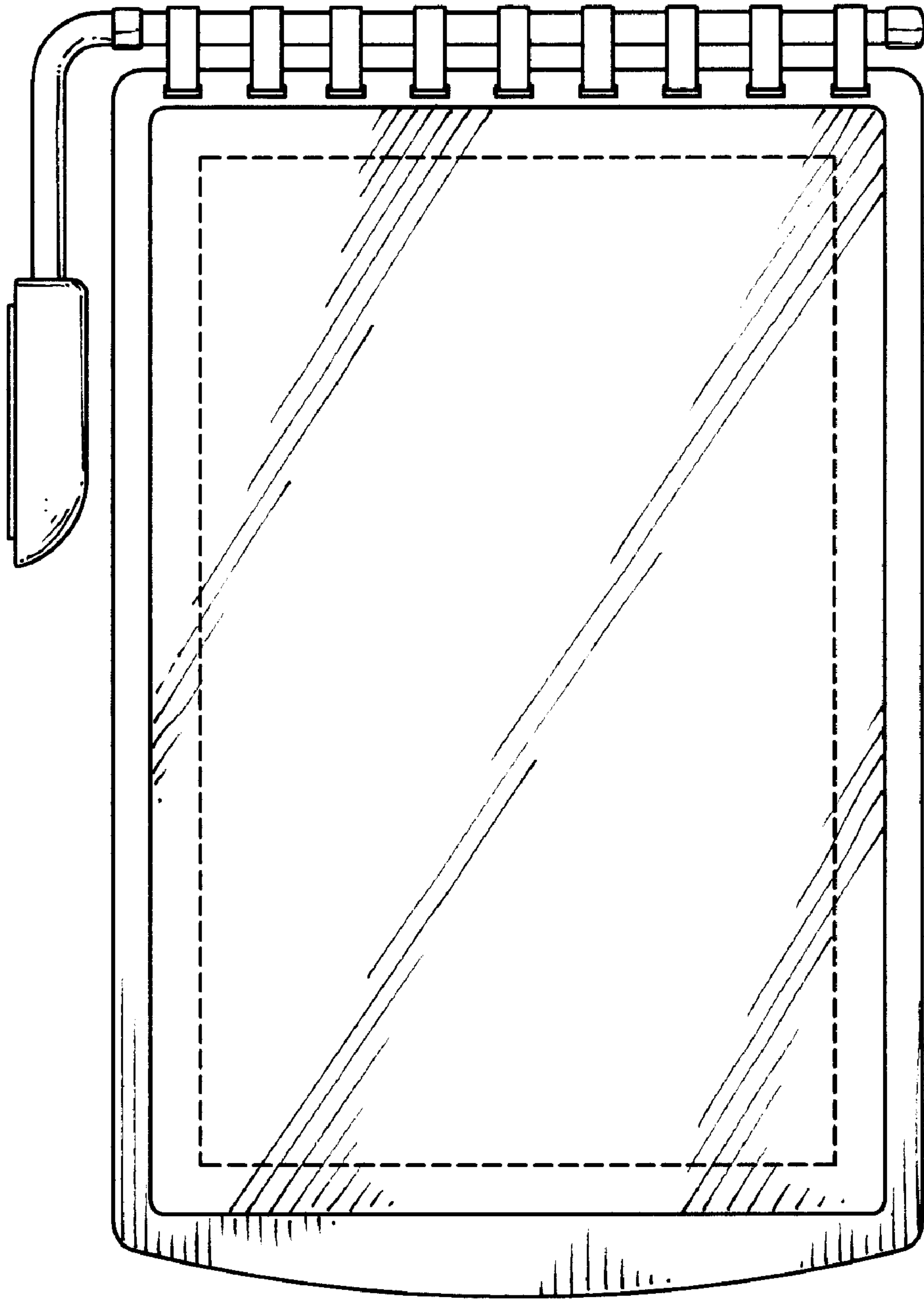


FIG. 18

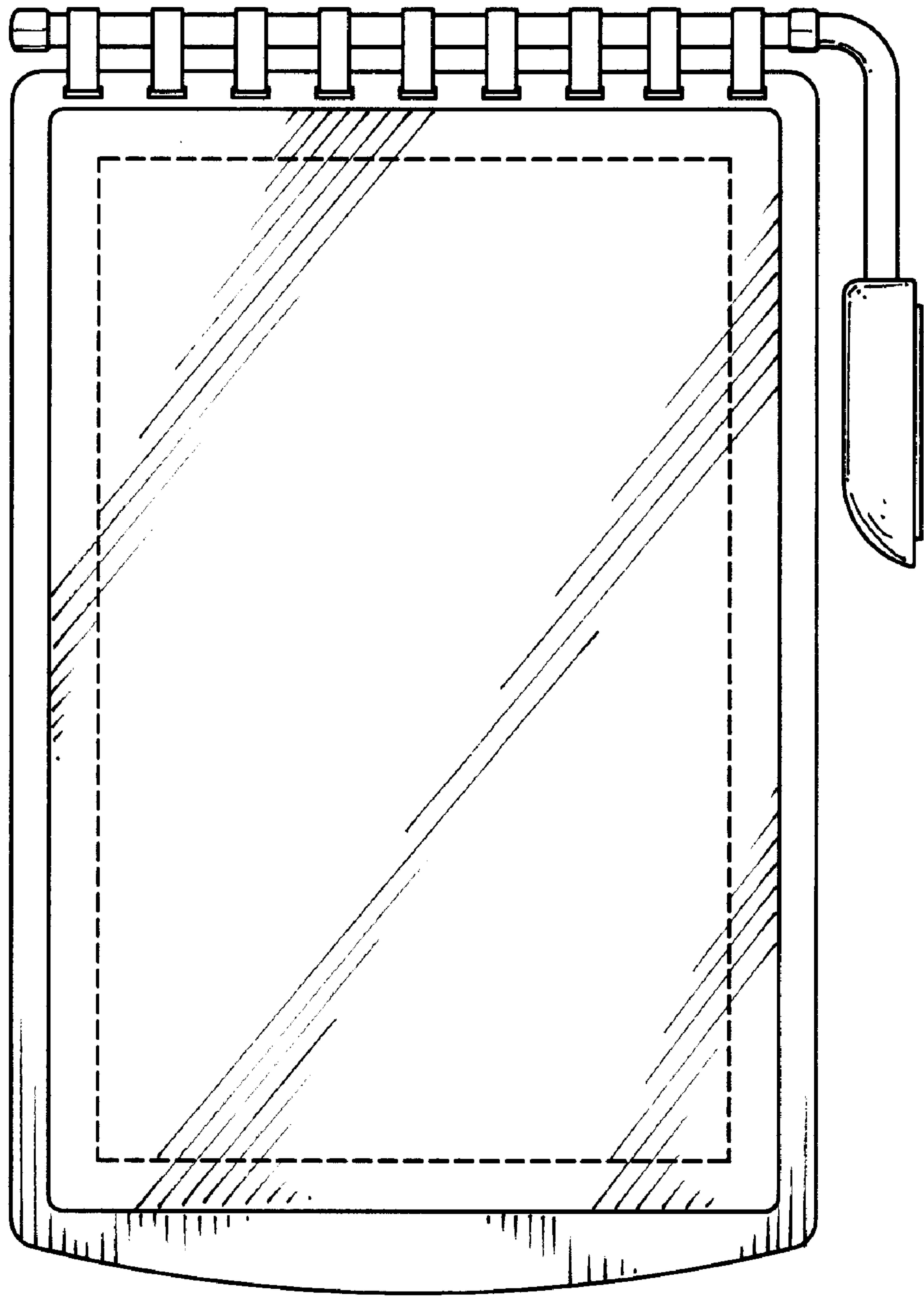


FIG. 19

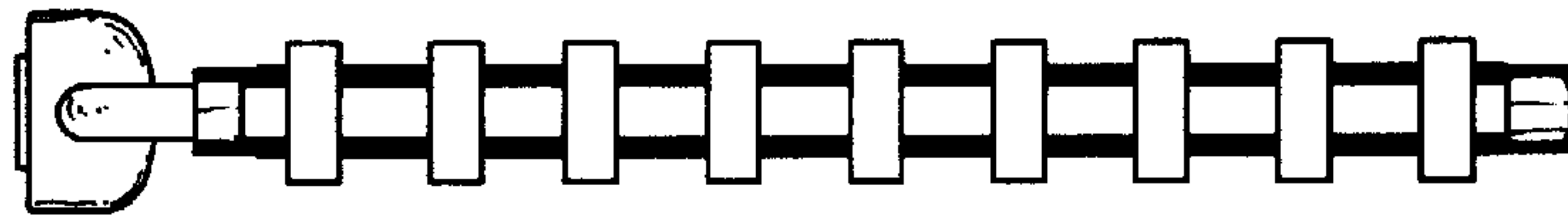


FIG. 20

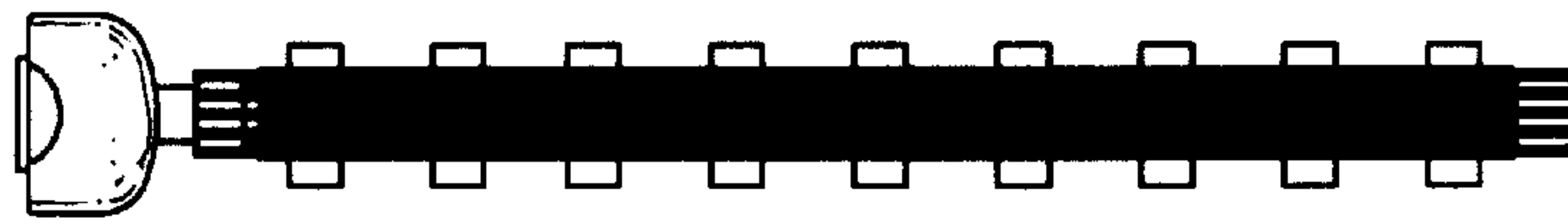


FIG. 21

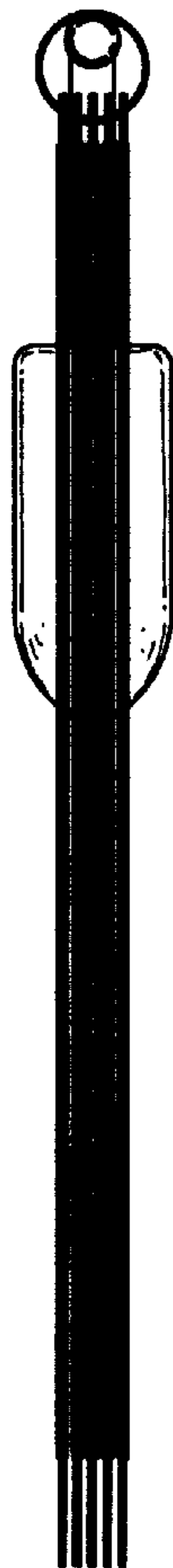


FIG. 22

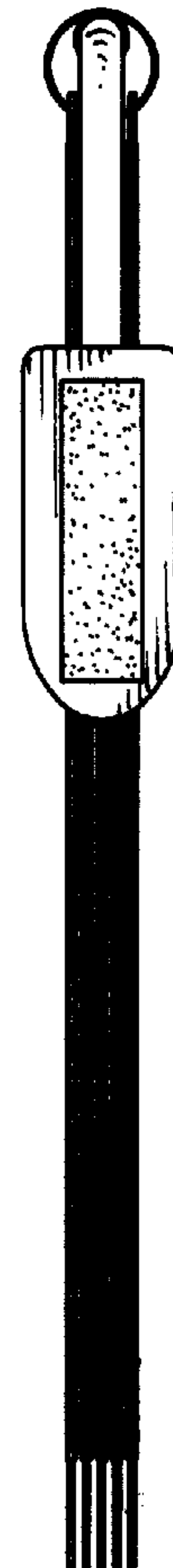


FIG. 23