



US00D447749B1

(12) **United States Design Patent**
Deuschle

(10) **Patent No.:** **US D447,749 S**

(45) **Date of Patent:** **** Sep. 11, 2001**

(54) **REMOVABLE STAND FOR A SIGNATURE CAPTURE TERMINAL**

D. 362,243 * 9/1995 Spechts et al. .
D. 386,782 * 11/1997 Sasaki .

(76) Inventor: **Basil C. Deuschle**, 17885 Skypark Cir.,
Unit "B", Irvine, CA (US) 99264-6307

* cited by examiner

(**) Term: **14 Years**

Primary Examiner—M. H. Tung
(74) *Attorney, Agent, or Firm*—Willie Krawitz

(21) Appl. No.: **29/116,466**

(57) **CLAIM**

(22) Filed: **Jan. 3, 2000**

The ornamental design for a removable stand for a signature capture terminal, as shown and described.

(51) **LOC (7) Cl.** **14-02**

DESCRIPTION

(52) **U.S. Cl.** **D14/447**

(58) **Field of Search** D14/432, 447,
D14/451, 302, 314; D18/4.4, 4.5, 4.6; 248/346.01,
917-24; 200/5 R, 5 A, 6 R, 6 A; 361/679-85;
D13/184, 199

FIG. 1 is a perspective view of a removable stand for a signature capture terminal showing my design, the broken line drawing of a signature capture terminal is for illustrative purposes only and forms no part of the claimed design; FIG. 2 is a front elevation view thereof; FIG. 3 is a rear elevation view, thereof; FIG. 4 is a left side elevation view thereof; FIG. 5 is a right side elevation view thereof; FIG. 6 is a top plan view thereof; and, FIG. 7 is a bottom plan view thereof.

(56) **References Cited**

U.S. PATENT DOCUMENTS

- D. 269,749 * 7/1983 Foster .
- D. 323,085 * 1/1992 Konkel .
- D. 357,471 * 4/1995 Reph .
- D. 358,144 * 5/1995 Masaaki .

1 Claim, 2 Drawing Sheets

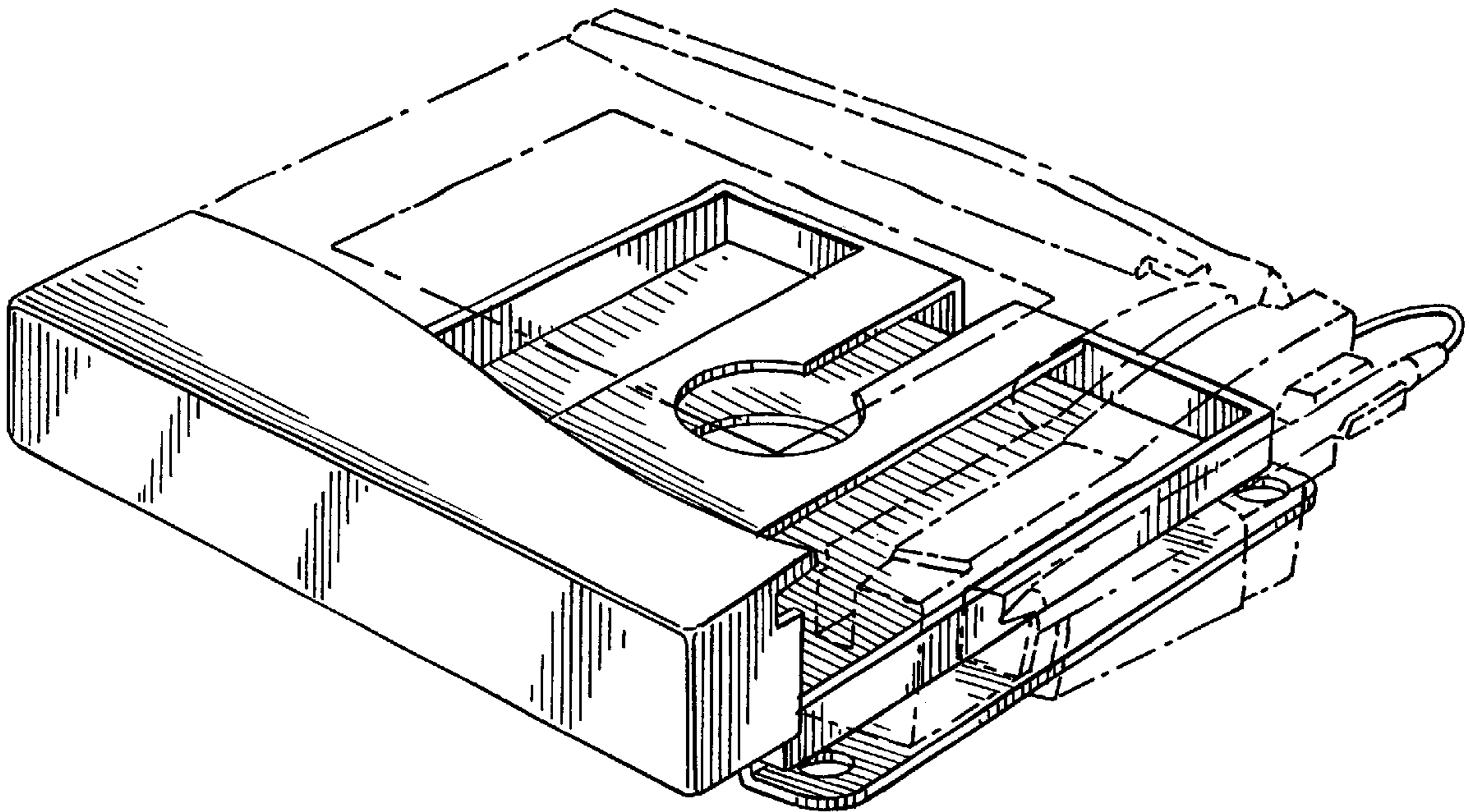


FIG. 1

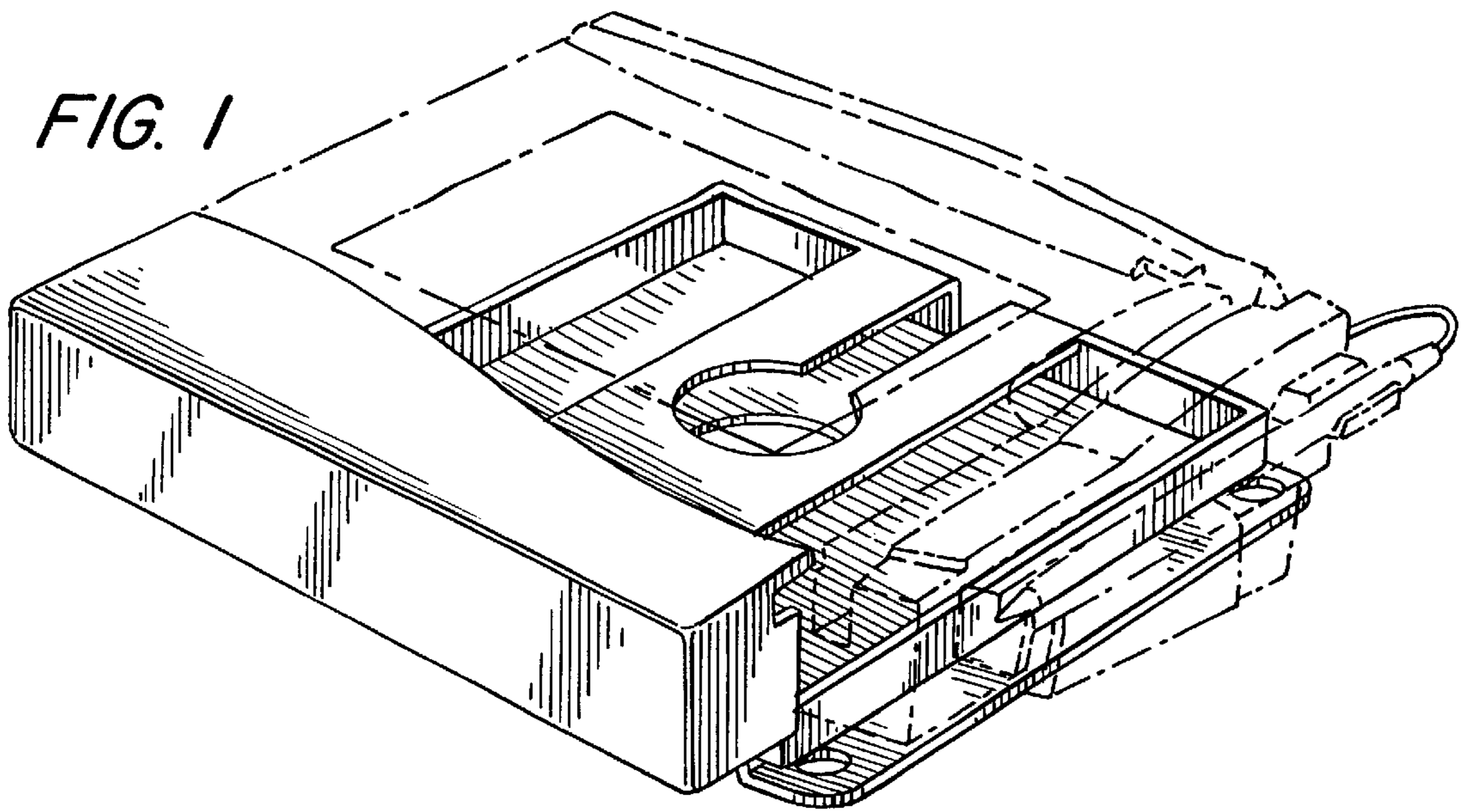


FIG. 2

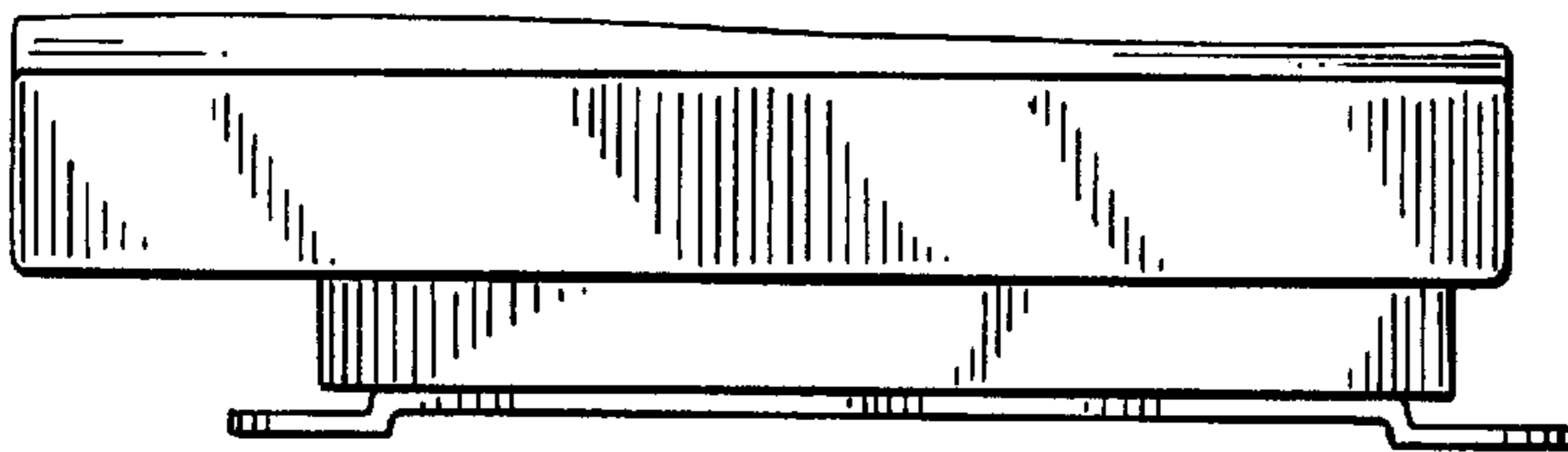


FIG. 3

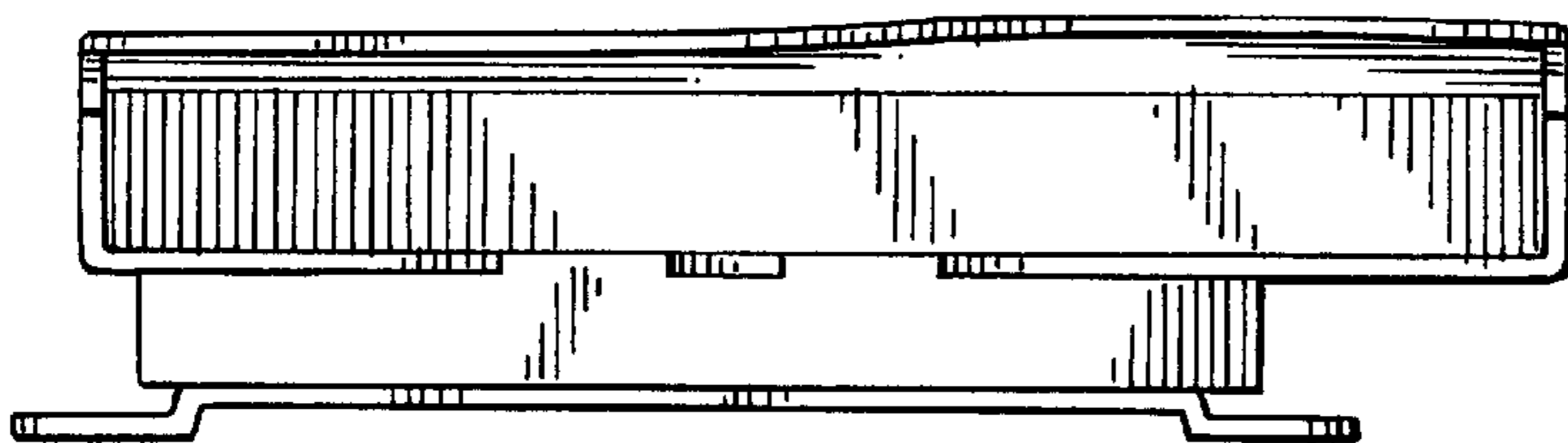


FIG. 4

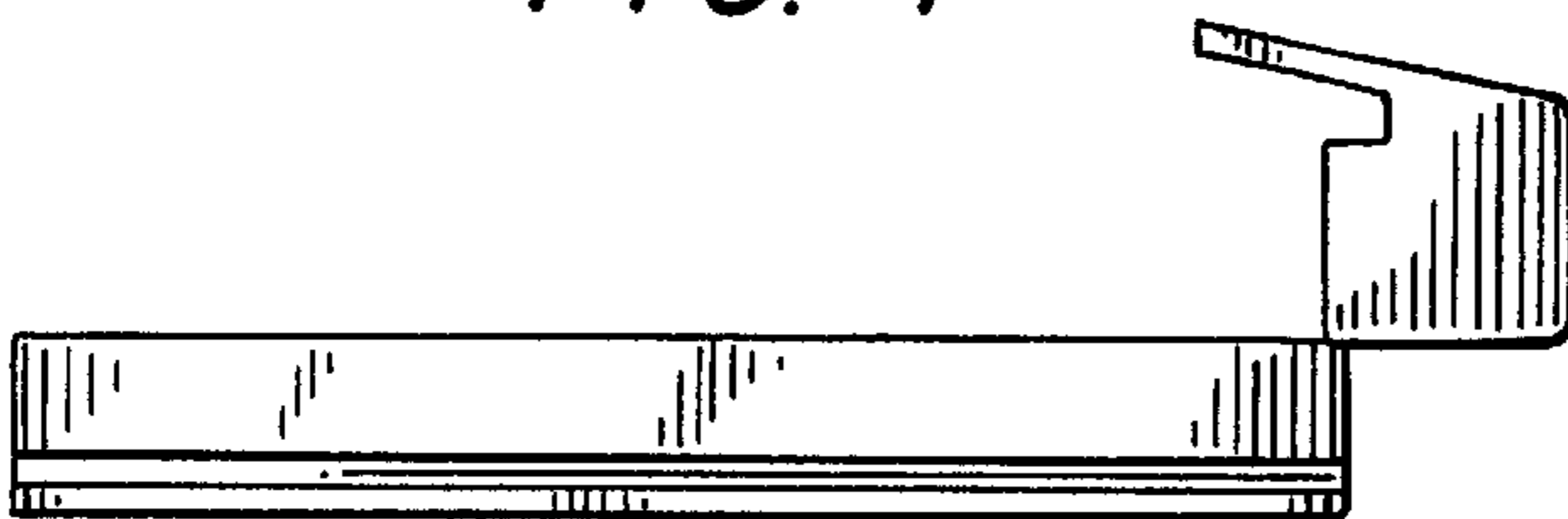


FIG. 5

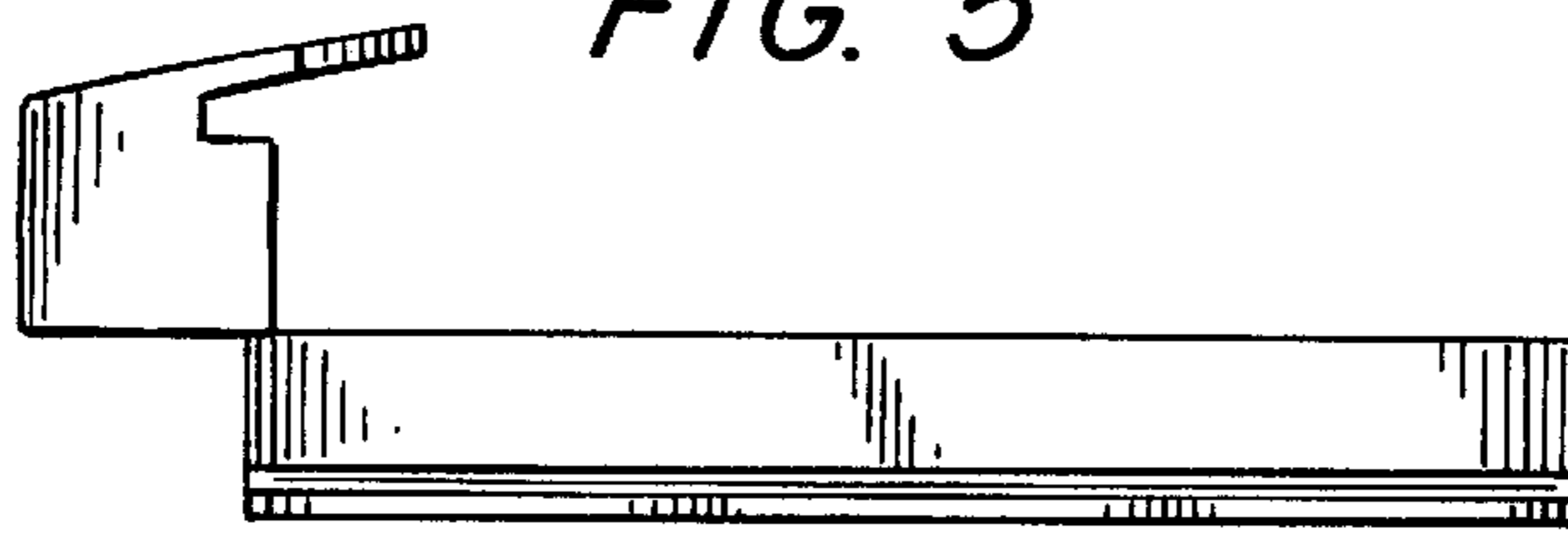


FIG. 6

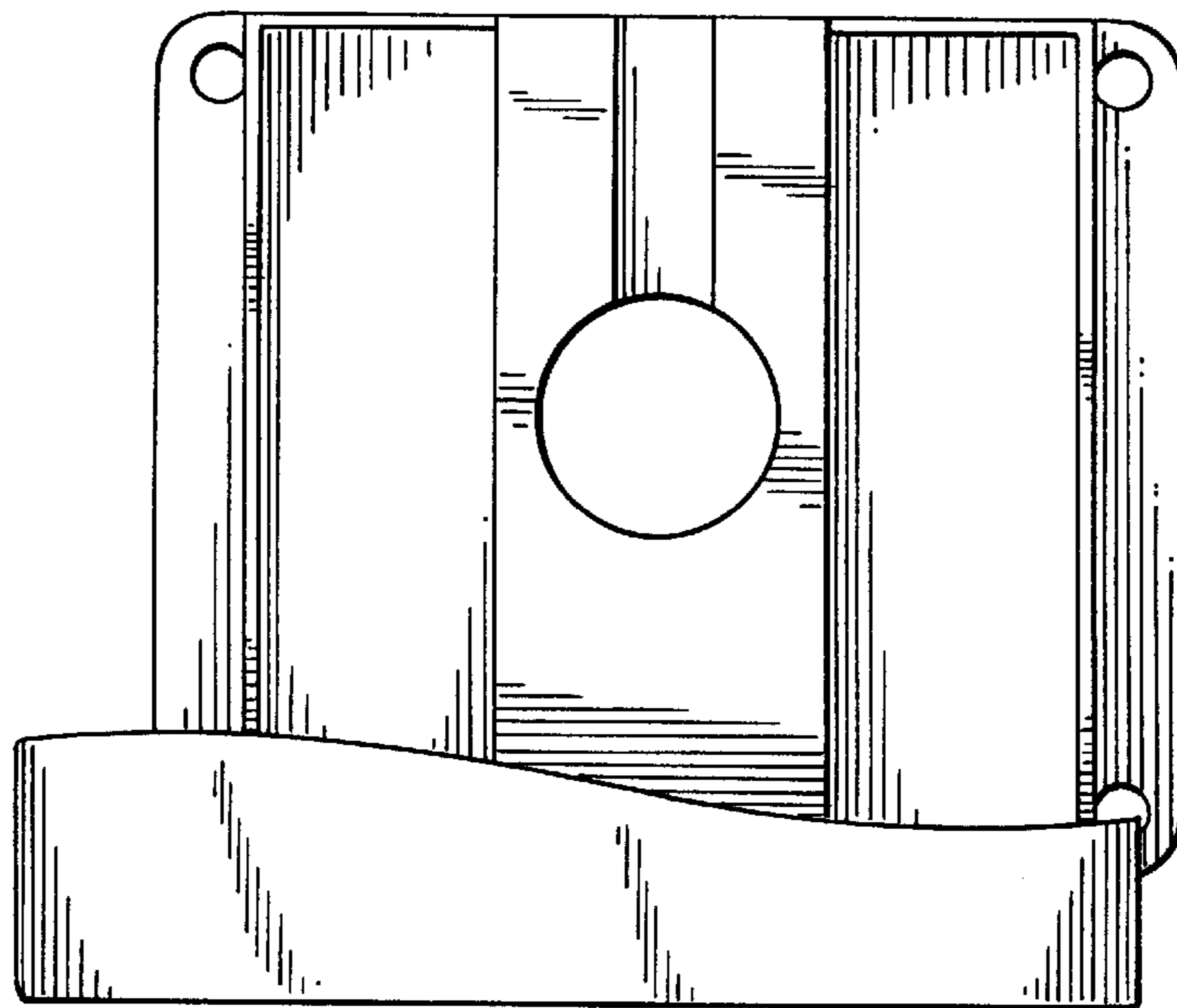


FIG. 7

