



US00D447746B1

(12) **United States Design Patent**
Tonozuka et al.

(10) **Patent No.:** **US D447,746 S**

(45) **Date of Patent:** **** Sep. 11, 2001**

(54) **STORAGE APPARATUS FOR A COMPUTER**

(75) Inventors: **Kazutoshi Tonozuka; Misa Iwamoto; Kouichi Harada; Kim Seokjin**, all of Tokyo (JP)

(73) Assignee: **NEC Corporation**, Tokyo (JP)

(**) Term: **14 Years**

(21) Appl. No.: **29/120,849**

(22) Filed: **Mar. 28, 2000**

(30) **Foreign Application Priority Data**

Sep. 28, 1999 (JP) 11-25990

(51) **LOC (7) Cl.** **14-02**

(52) **U.S. Cl.** **D14/356; D14/348; D14/363**

(58) **Field of Search** D14/348, 353-355, D14/356, 361-363; D13/162, 184, 199; 312/223.1, 223.3; 360/99.12; 369/34, 36; 361/690-696

(56) **References Cited**

U.S. PATENT DOCUMENTS

D. 314,947 * 2/1991 Imamura D14/354

D. 342,724 * 12/1993 Yurkonis et al. D14/354

D. 350,333 * 9/1994 Sharp D14/355

D. 384,042 * 9/1997 Antonczak et al. D14/354

* cited by examiner

Primary Examiner—Freda Nunn

(74) *Attorney, Agent, or Firm*—Sughrue, Mion, Zinn, Macpeak & Seas, PLLC

(57) **CLAIM**

The ornamental design for storage apparatus for a computer, as shown.

DESCRIPTION

FIG. 1 is a perspective view of the top, front and right side of a storage apparatus for a computer, showing our new design;

FIG. 2 is a top plan view thereof;

FIG. 3 is a front elevational view thereof;

FIG. 4 is a right side elevational view thereof;

FIG. 5 is a bottom plan view thereof;

FIG. 6 is a rear elevational view thereof; and,

FIG. 7 is a left side elevational view thereof.

1 Claim, 4 Drawing Sheets

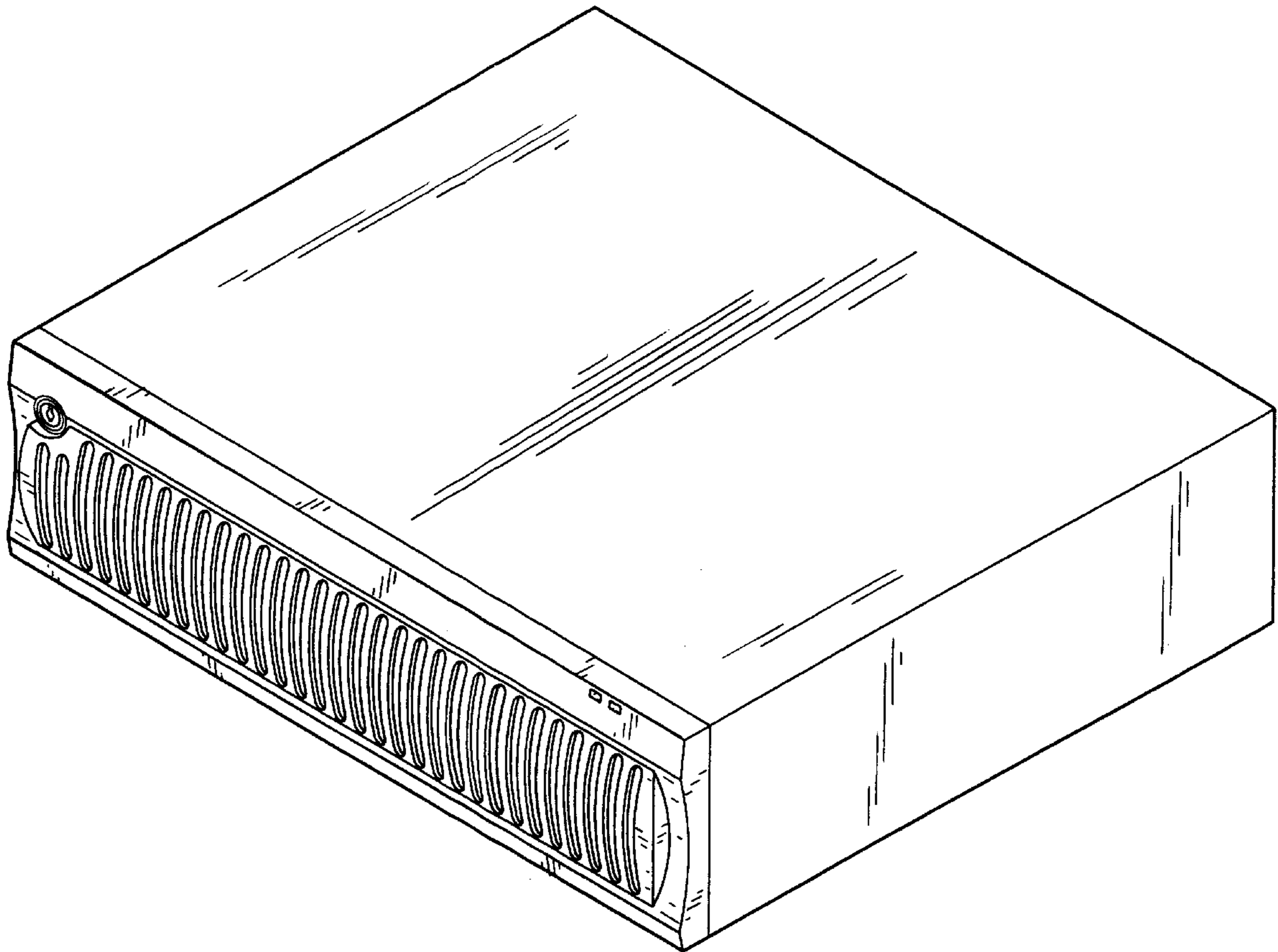


FIG. 1

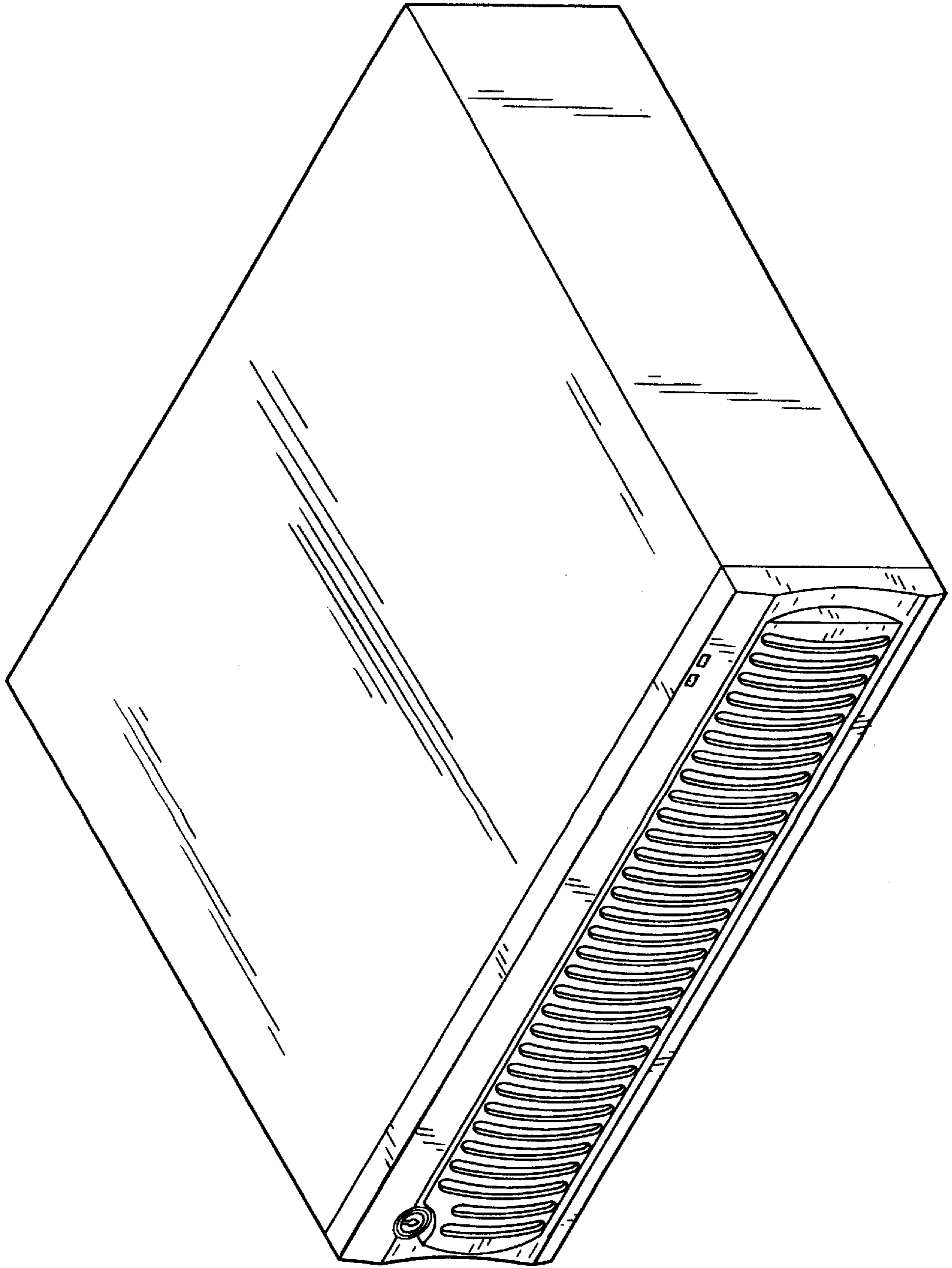


FIG. 2

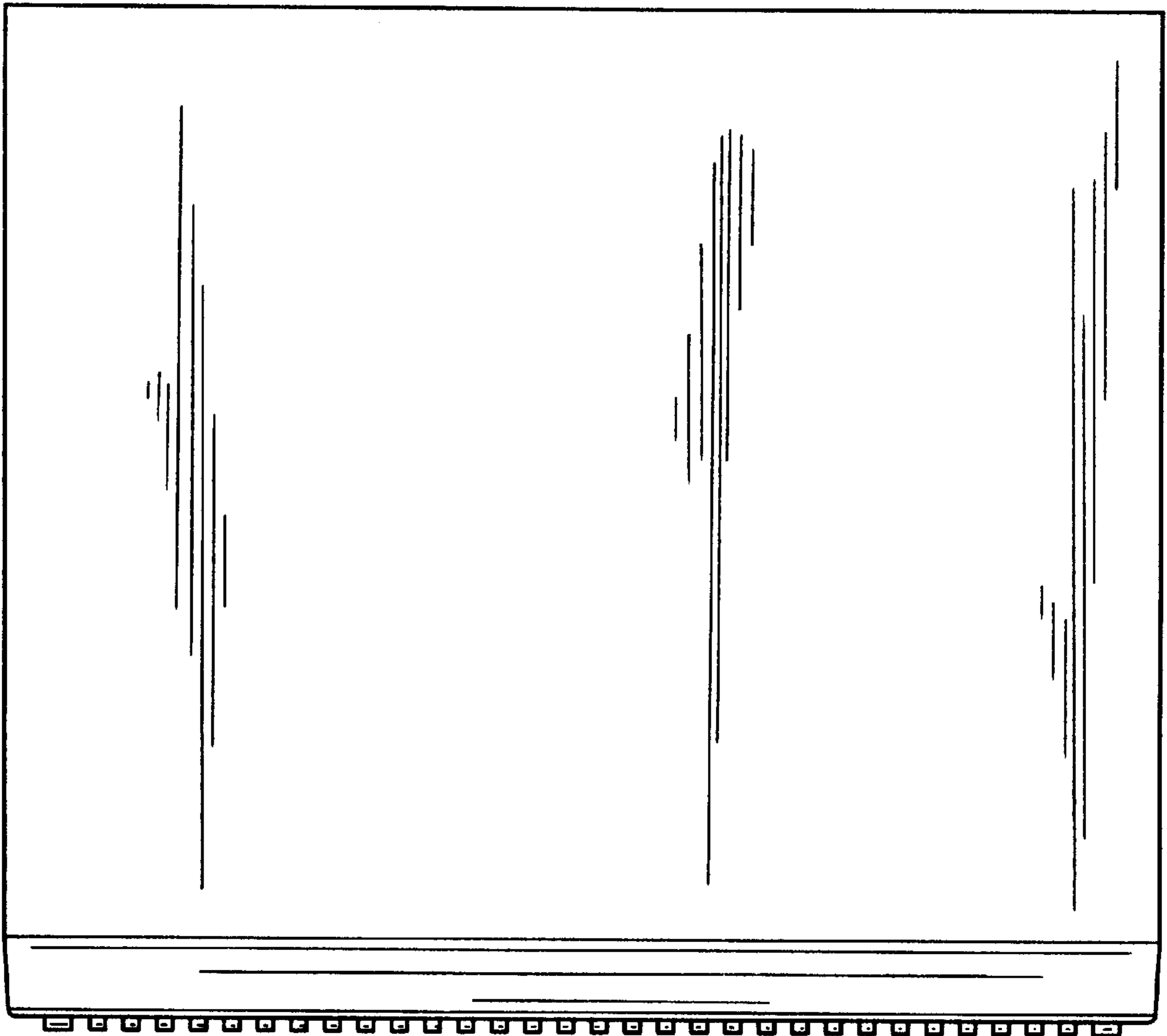


FIG. 3

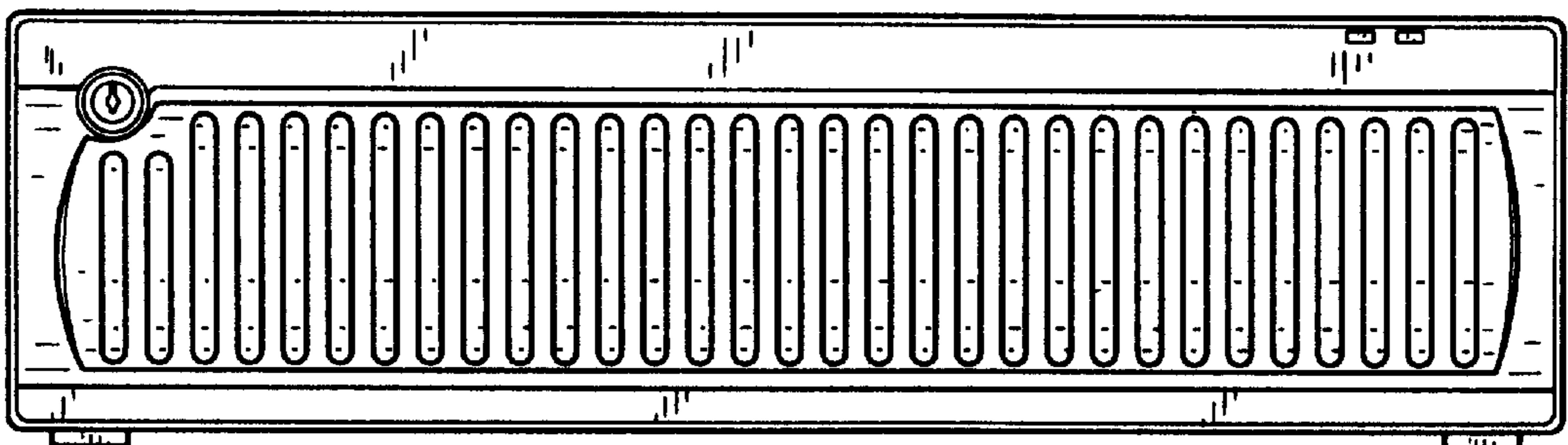


FIG. 4

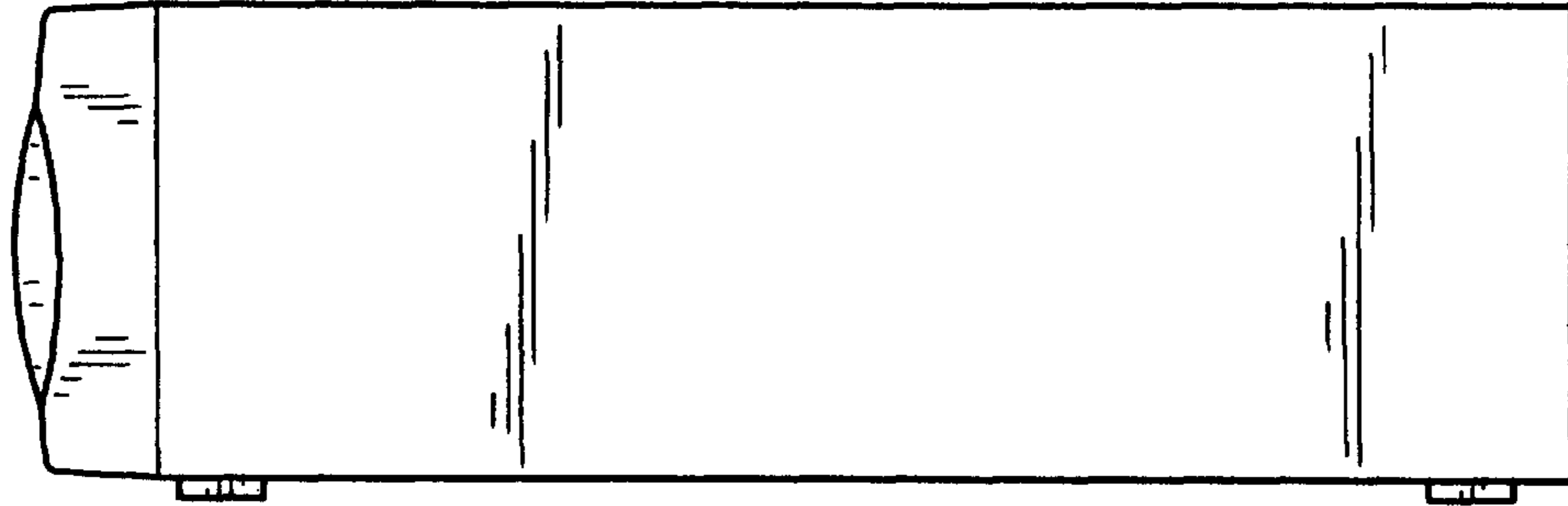


FIG. 5

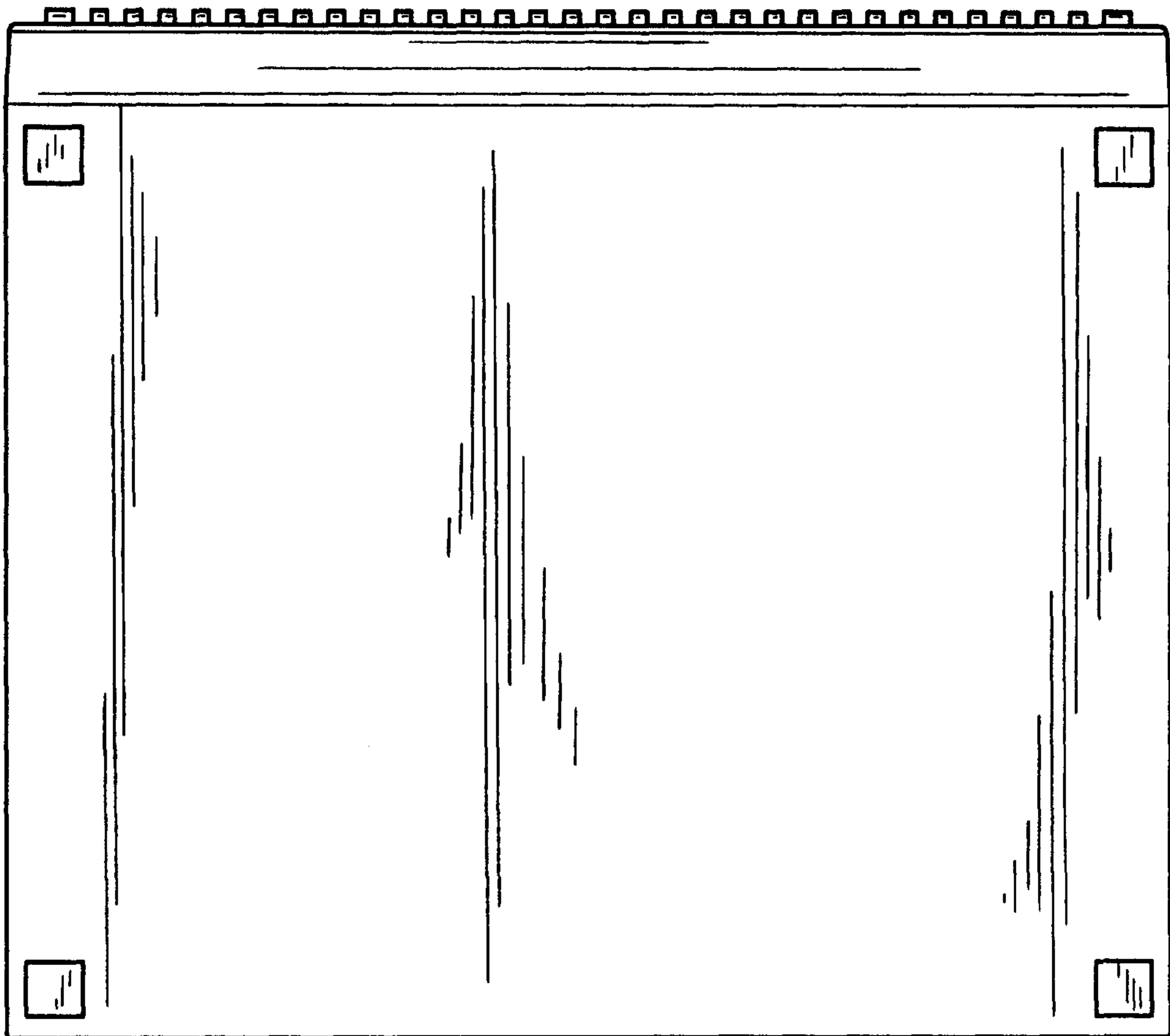


FIG. 6

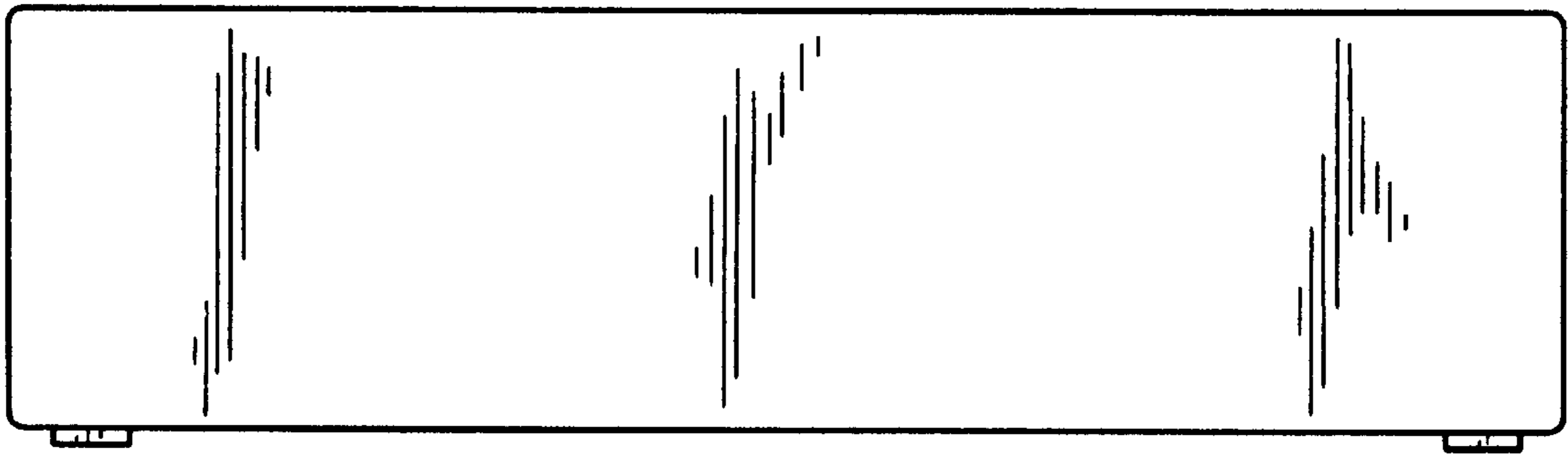


FIG. 7

