



US00D447740B1

(12) **United States Design Patent**
Johansson

(10) **Patent No.:** **US D447,740 S**

(45) **Date of Patent:** **** Sep. 11, 2001**

(54) **COMMUNICATOR**

(75) **Inventor:** **Panu Johansson**, Tampere (FI)

(73) **Assignee:** **Nokia Mobile Phones Ltd.**, Espoo (FI)

(**) **Term:** **14 Years**

(21) **Appl. No.:** **29/129,319**

(22) **Filed:** **Sep. 12, 2000**

(51) **LOC (7) Cl.** **14-03**

(52) **U.S. Cl.** **D14/138; D14/144; D14/343**

(58) **Field of Search** **D14/137, 138,**
D14/218, 147-148, 247-248, 144, 341-347;
379/433.434, 419, 420, 428, 440; 455/550-575,
90

(56) **References Cited**

U.S. PATENT DOCUMENTS

D. 337,764	*	7/1993	Paton et al.	D14/138
D. 340,927	*	11/1993	Goatman	D14/137
D. 361,754	*	8/1995	Jambhekar et al.	D14/345
D. 373,347	*	9/1996	Ashley et al.	D14/106
D. 377,341	*	1/1997	Imai et al.	D14/343
D. 392,968	*	3/1998	Johansson	D14/144
D. 396,230	*	7/1998	Phillips et al.	D14/138
D. 398,307	*	9/1998	Collins	D14/144
D. 401,914	*	12/1998	Kamegi	D14/343
D. 410,002	*	5/1999	Collins	D14/138
D. 413,597	*	9/1999	Oba	D14/144
D. 413,885	*	9/1999	Irimajiri et al.	D14/144
D. 416,255	*	11/1999	Johansson et al.	D14/144

D. 417,657	*	12/1999	Matsumoto	D14/343
D. 425,057	*	5/2000	Finkbeiner	D14/138
D. 426,218	*	6/2000	Abed et al.	D14/138
D. 426,219	*	6/2000	Gulino et al.	D14/138
5,189,632	*	2/1993	Paajanen et al.	455/556 X
5,719,936	*	2/1998	Hillenmayer	379/433 X

OTHER PUBLICATIONS

Mobile Computing and Communications, Nov. 1997 Reader Service #14, Novatel wireless.*

* cited by examiner

Primary Examiner—Jeffrey Asch

(74) *Attorney, Agent, or Firm*—Brian T. Rivers

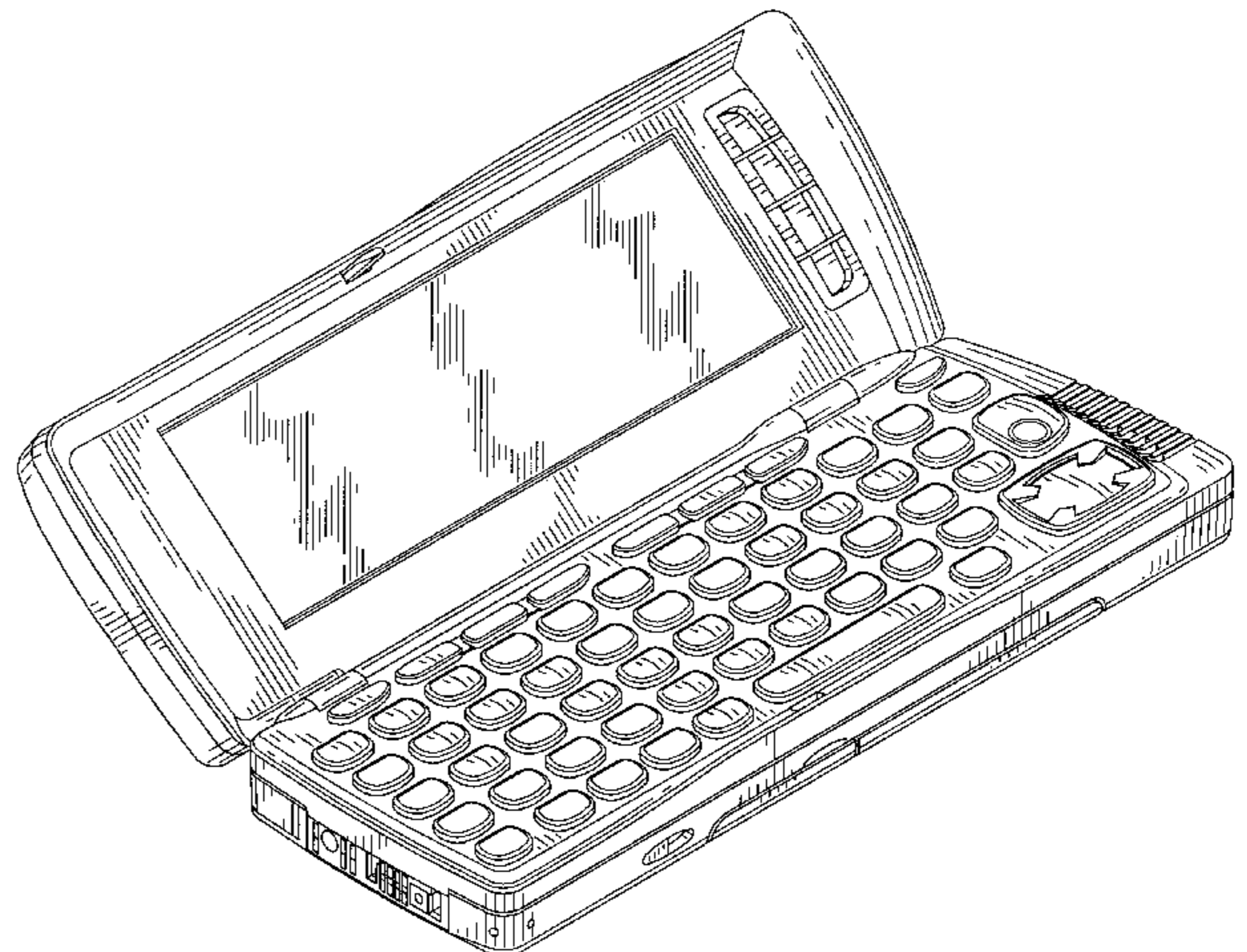
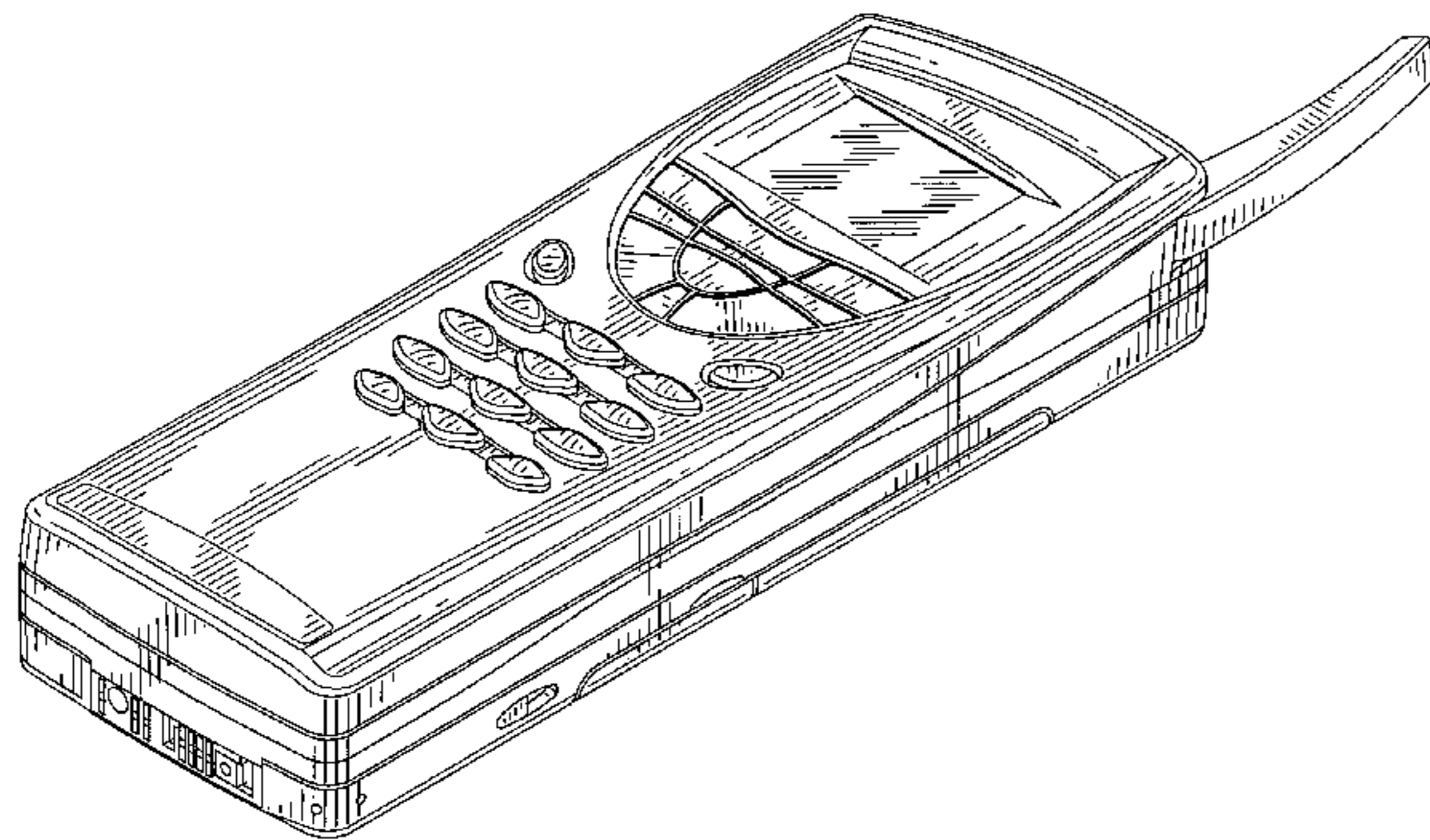
(57) **CLAIM**

The ornamental design for a communicator, as shown.

DESCRIPTION

FIG. 1 is a top plan view of the communicator;
FIG. 2 is a left side view thereof;
FIG. 3 is a front view thereof;
FIG. 4 is a right side view thereof;
FIG. 5 is a bottom plan view thereof;
FIG. 6 is a rear view thereof;
FIG. 7 is a perspective rear view thereof in open position;
FIG. 8 is a perspective front view thereof with the antenna extended;
FIG. 9 is a front view thereof in open position with the antenna extended; and,
FIG. 10 is a perspective front view thereof in open position.

1 Claim, 6 Drawing Sheets



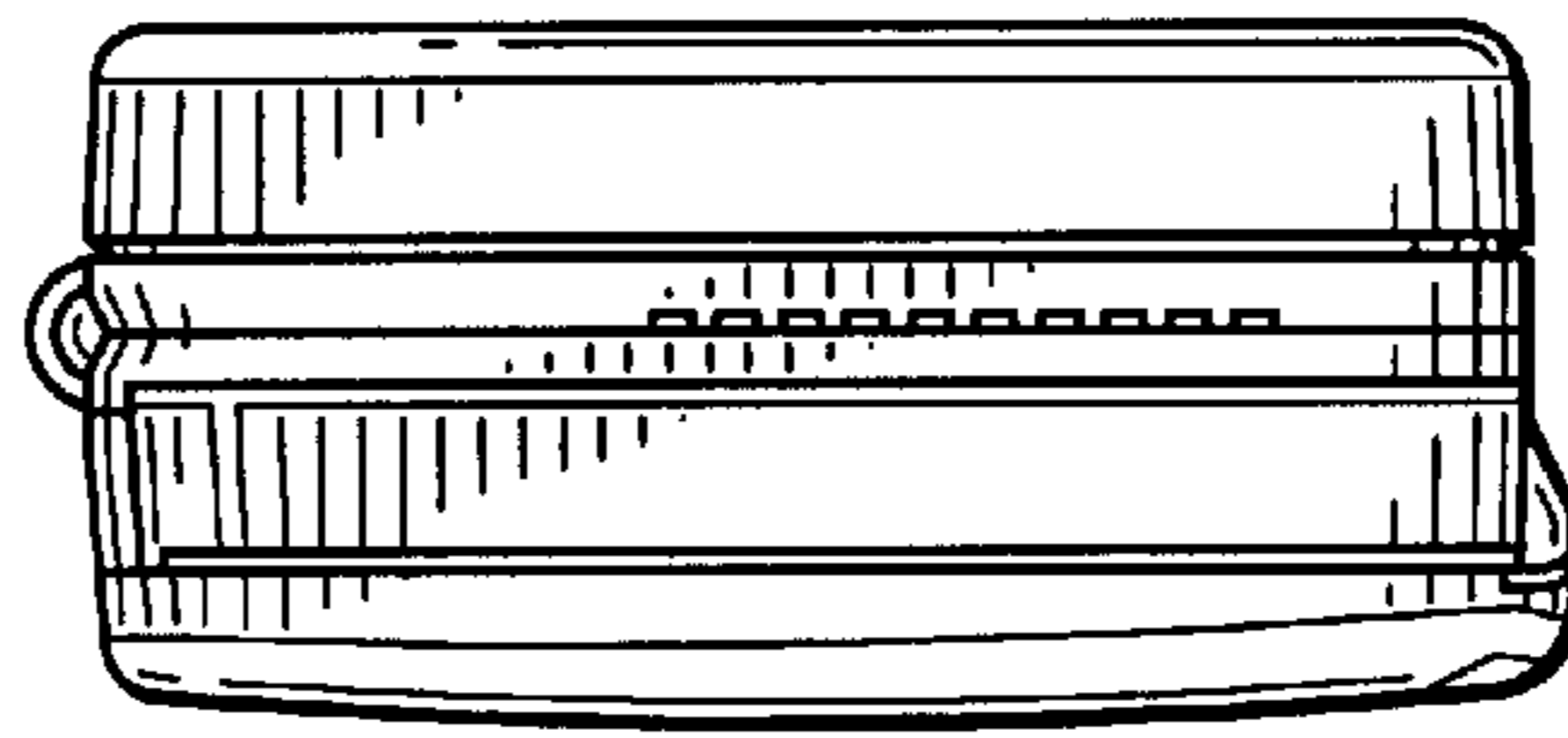


FIG. 1

FIG. 2

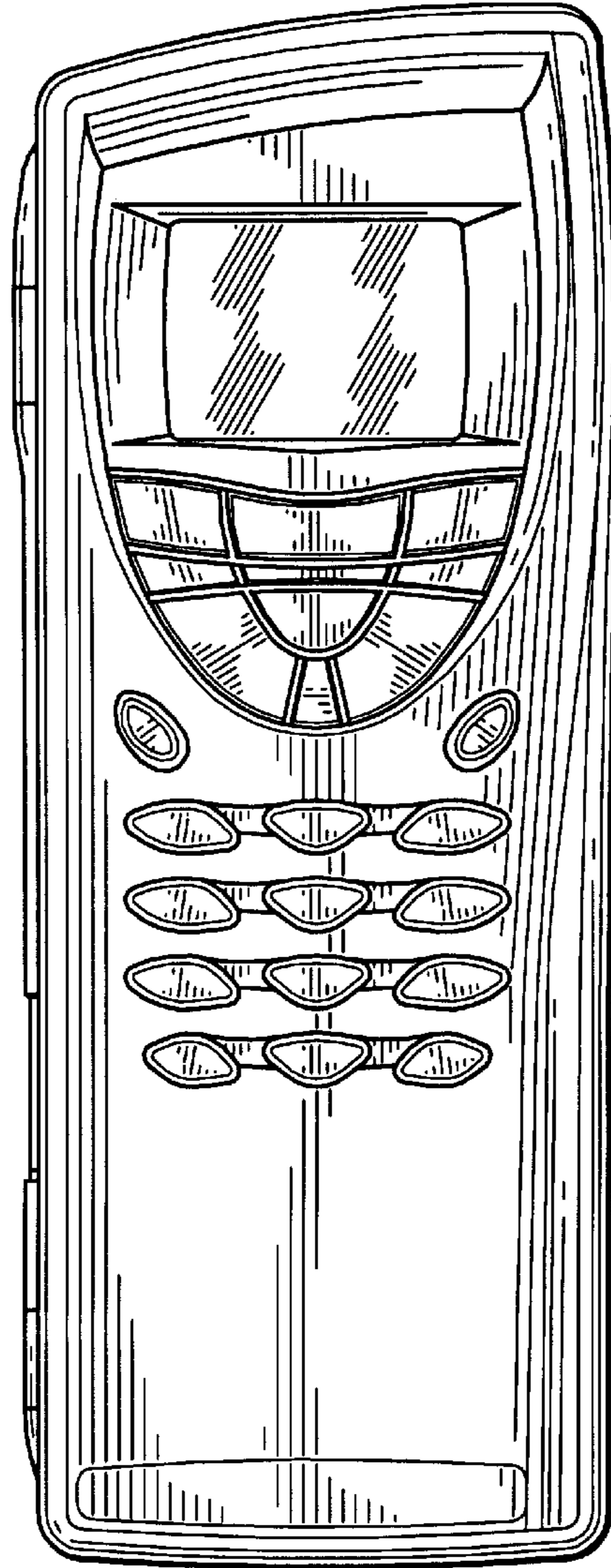
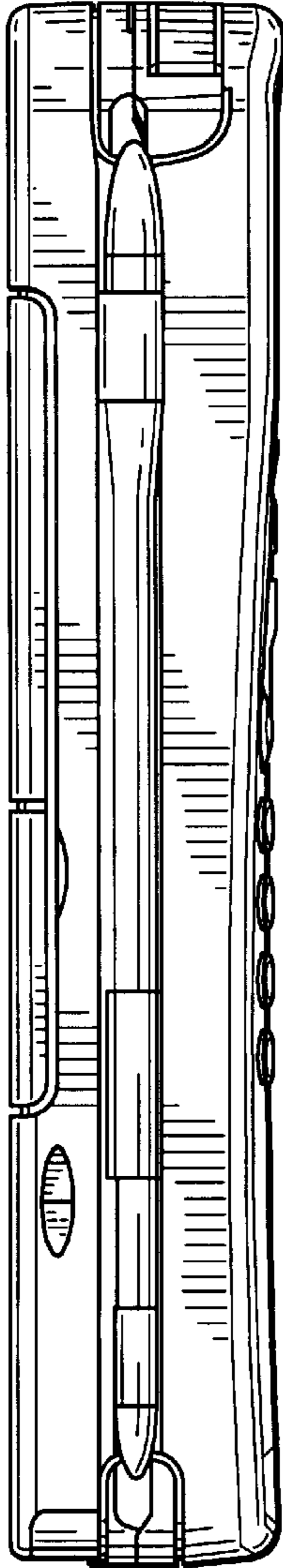


FIG. 3

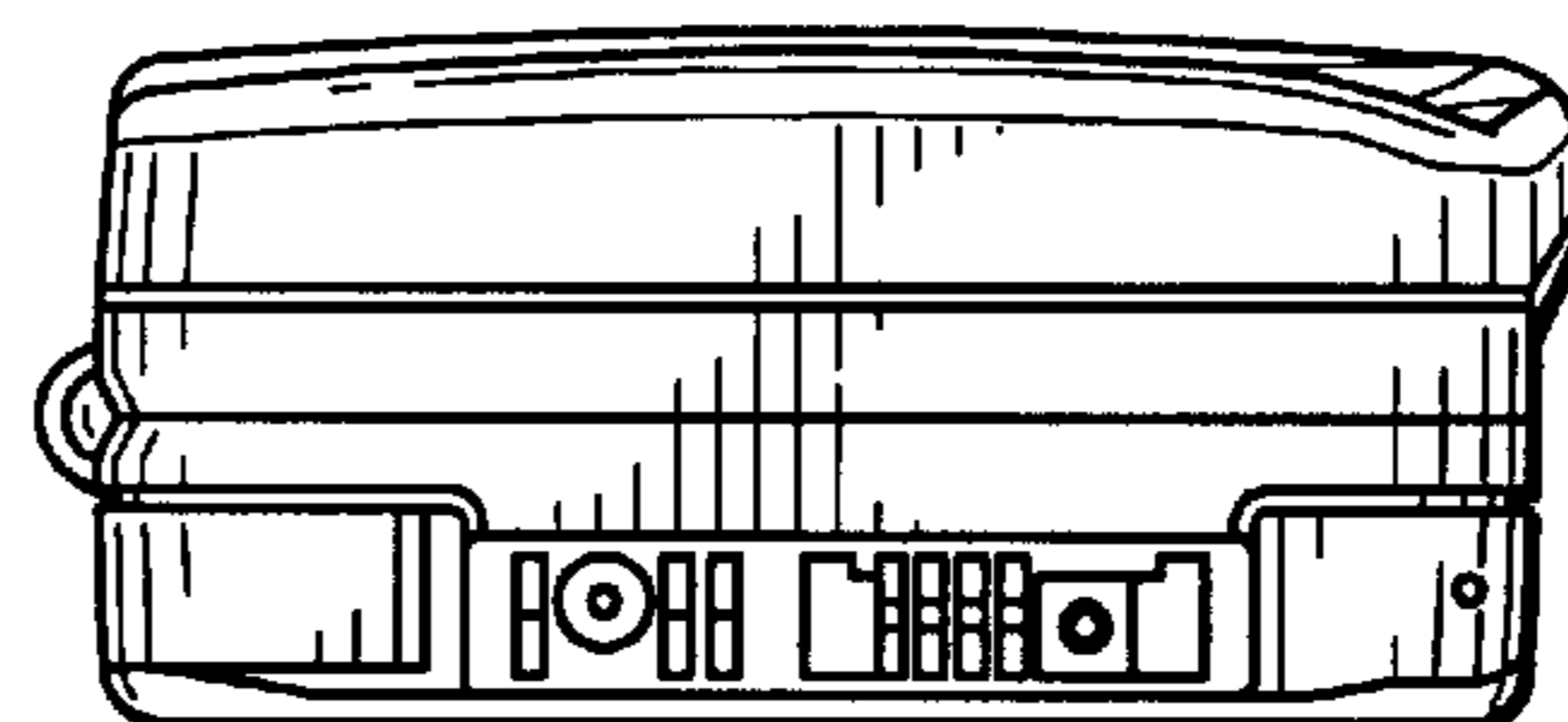


FIG. 5

FIG. 4

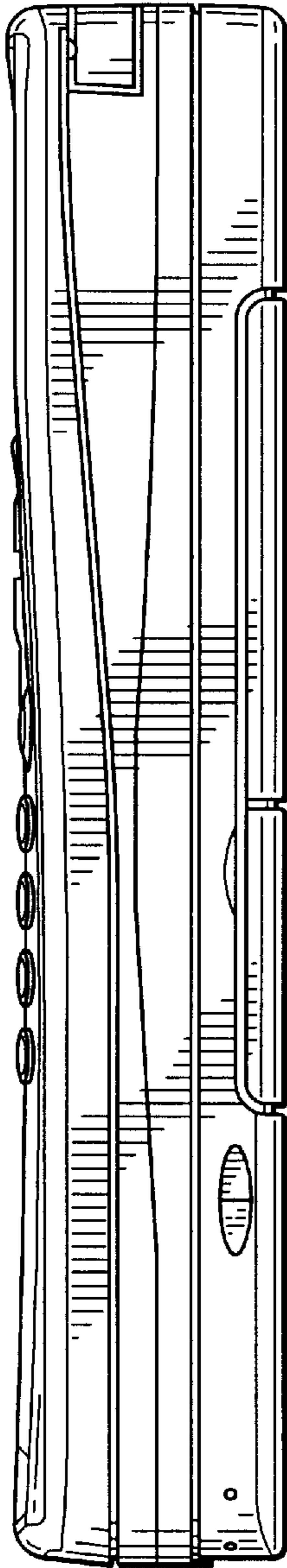
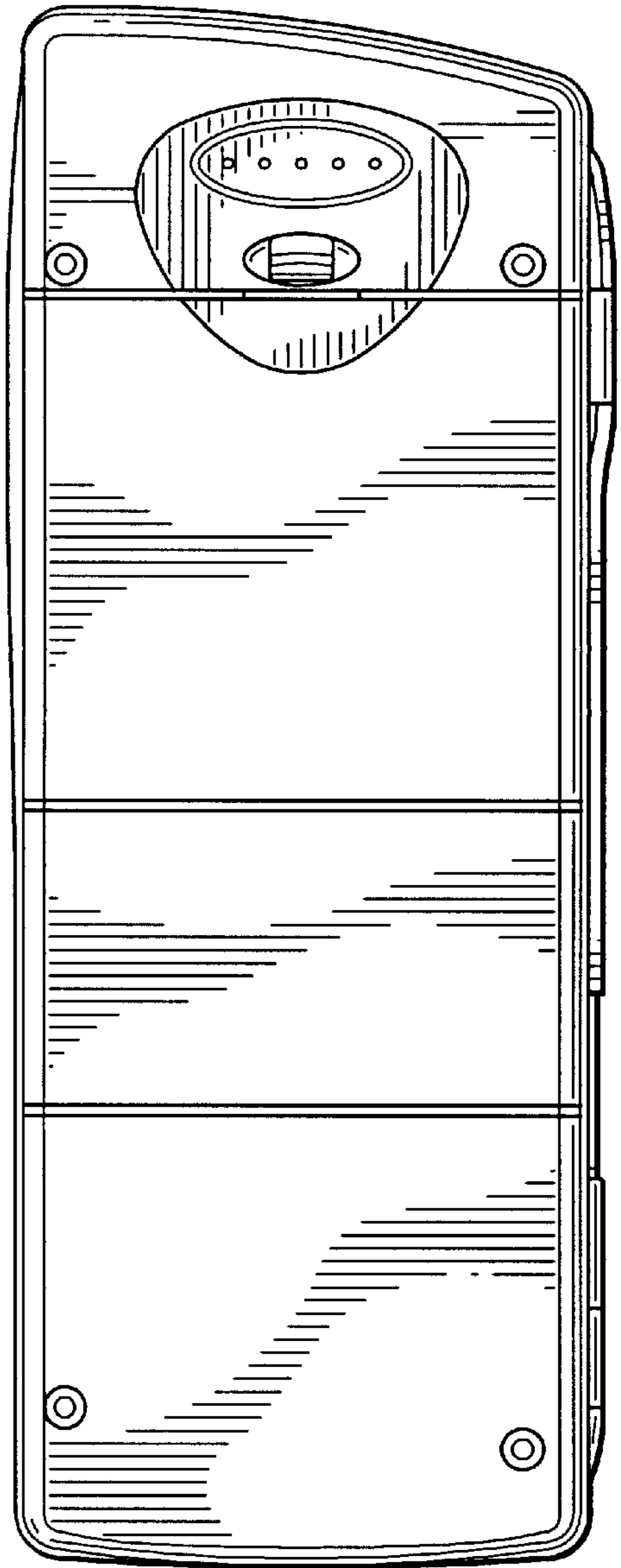


FIG. 6



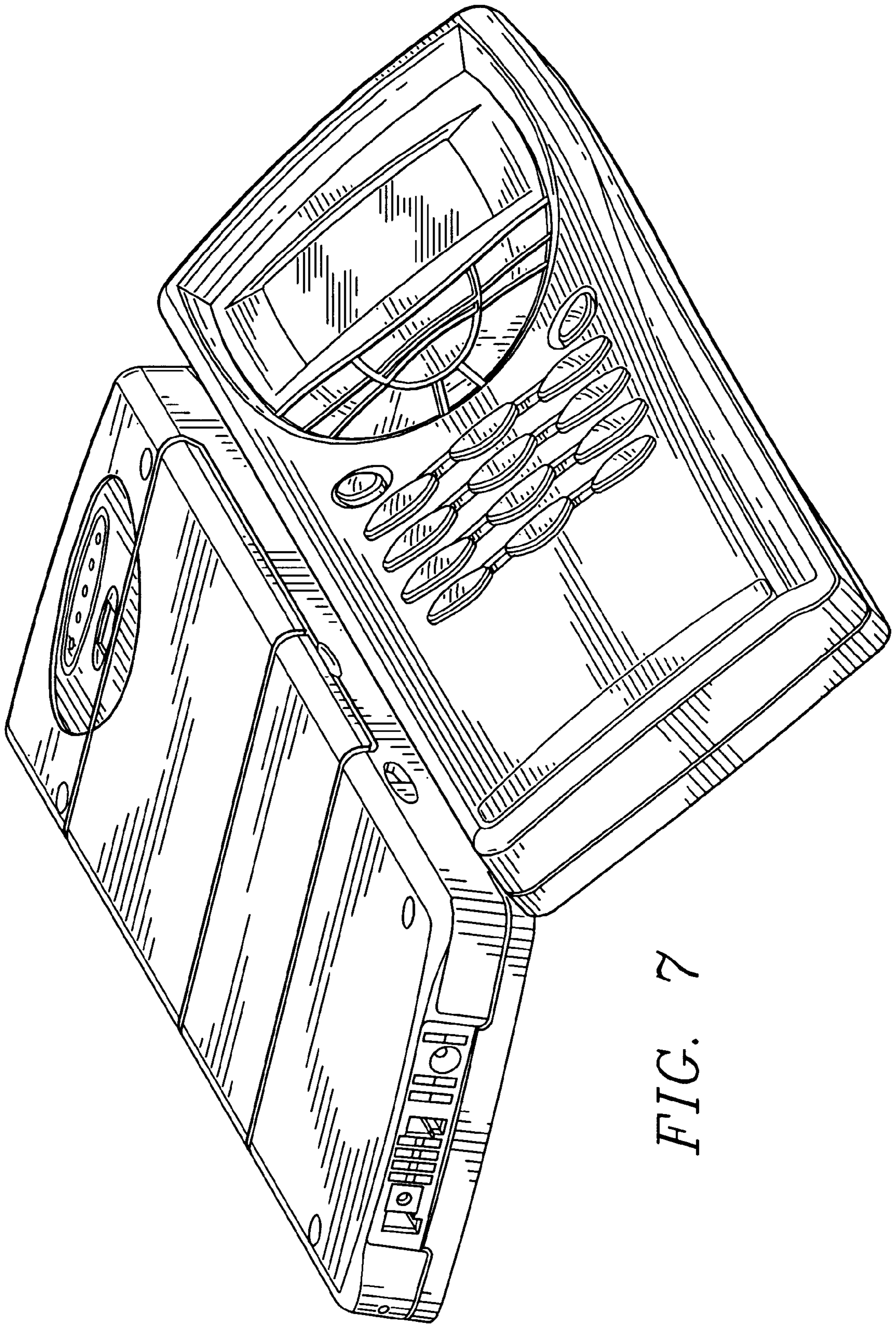


FIG. 7

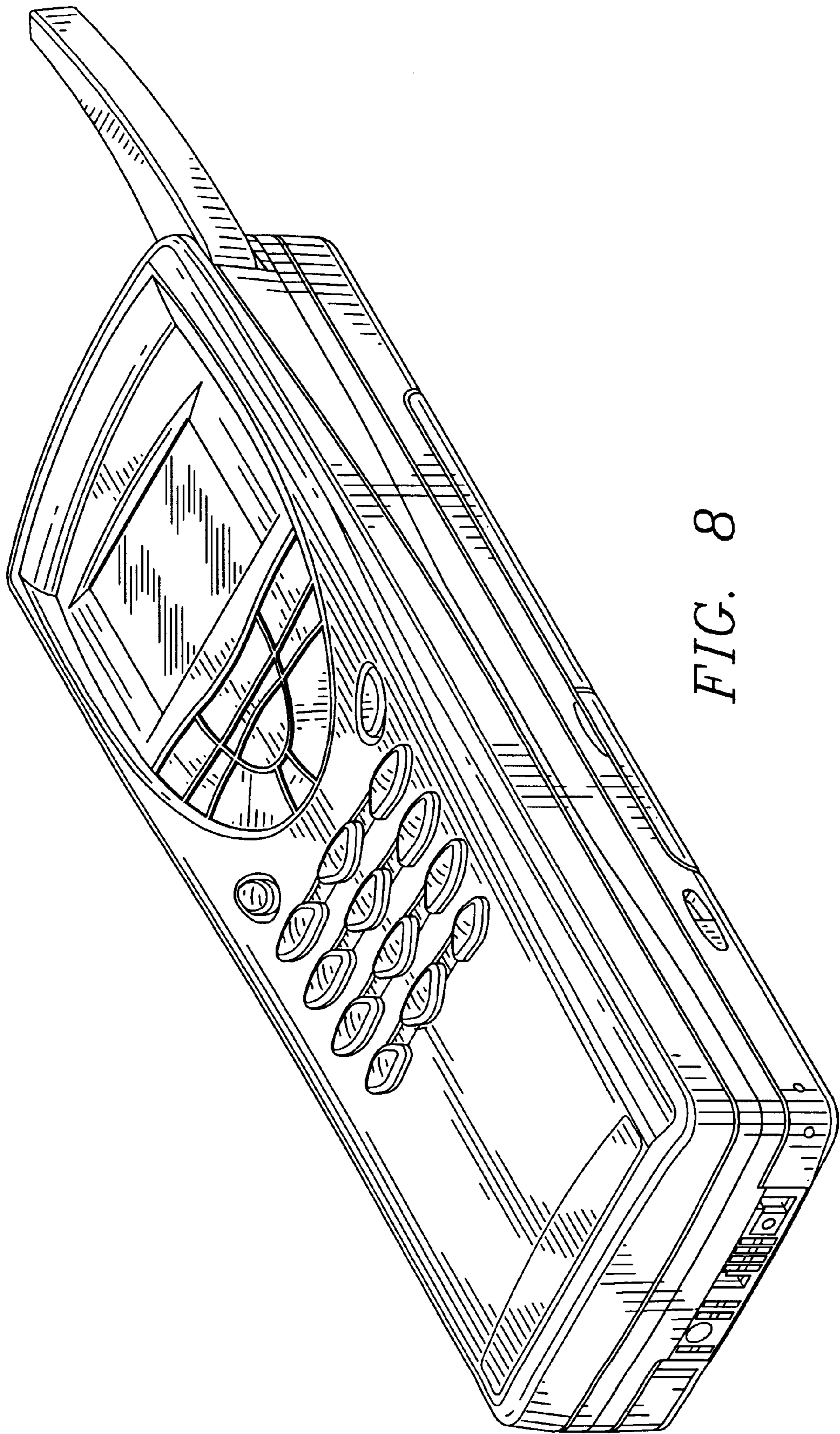


FIG. 8

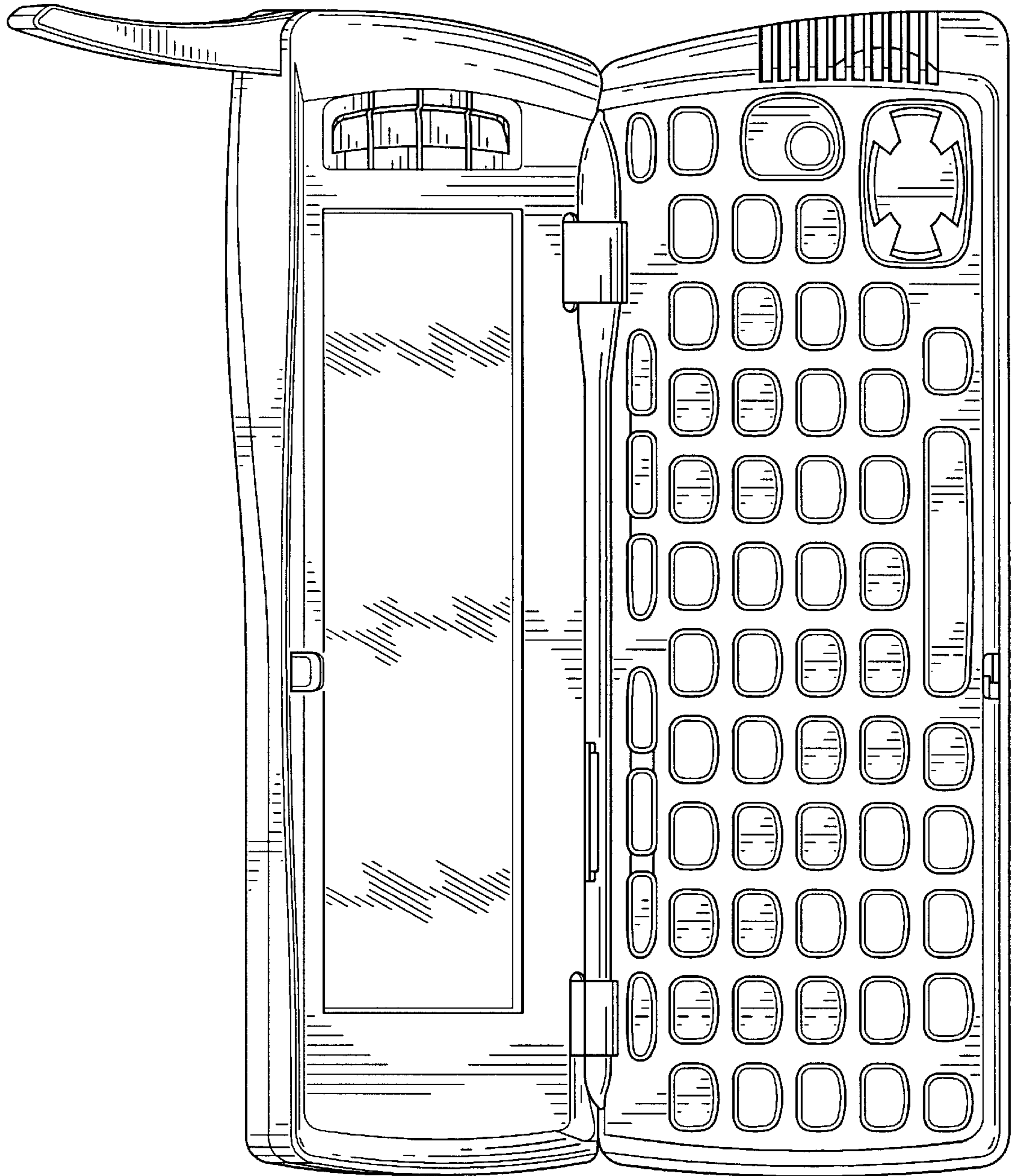


FIG. 9

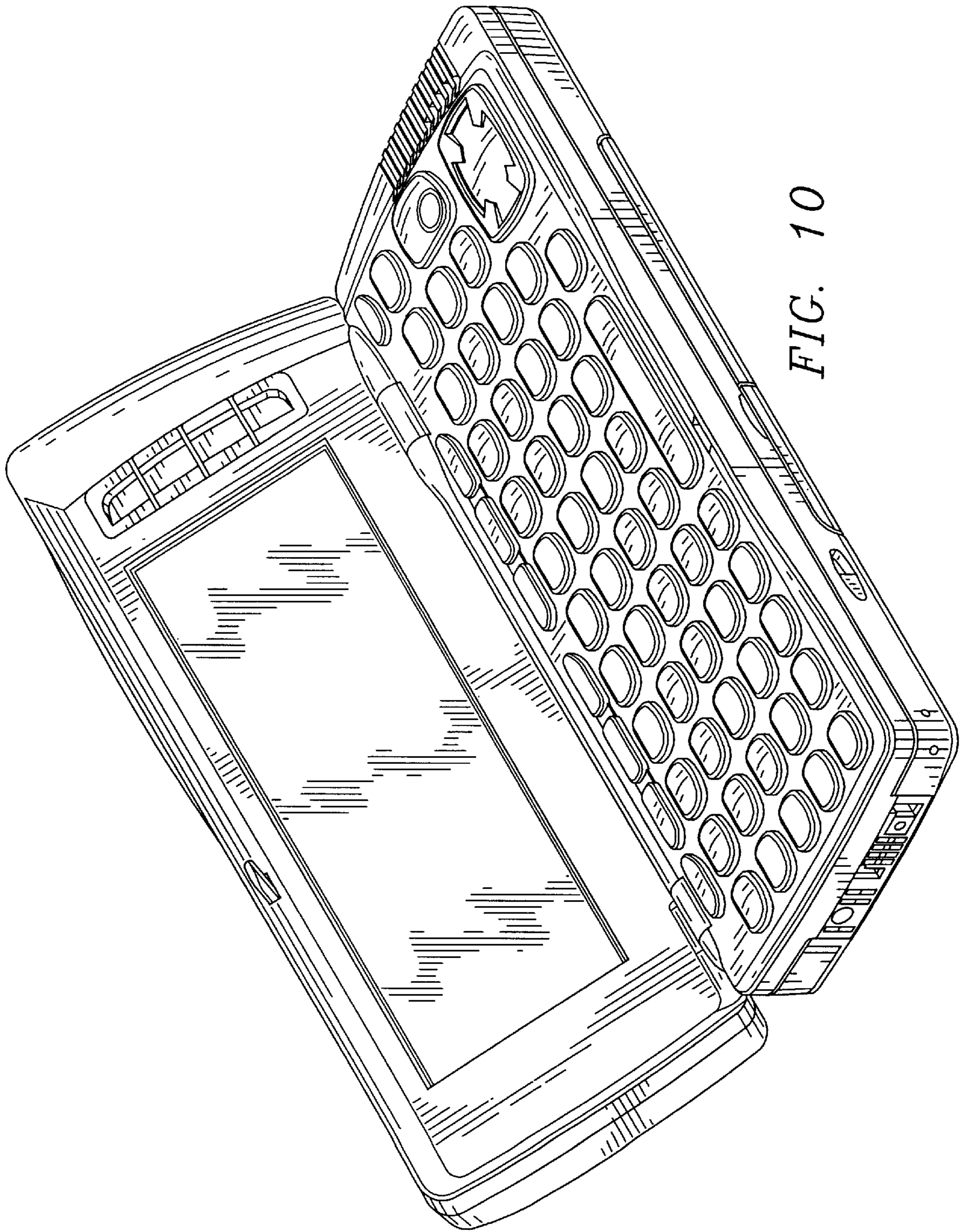


FIG. 10