



US00D447738B1

(12) **United States Design Patent**
Usami et al.

(10) **Patent No.:** **US D447,738 S**

(45) **Date of Patent:** **** Sep. 11, 2001**

(54) **DIGITAL VIDEO DISK PLAYER WITH LCD MONITOR**

(75) Inventors: **Seiji Usami; Tazuo Orihara; Noriaki Itai**, all of Tochigi-ken (JP)

(73) Assignee: **Sharp Kabushiki Kaisha**, Osaka (JP)

(**) Term: **14 Years**

(21) Appl. No.: **29/133,684**

(22) Filed: **Dec. 7, 2000**

(30) **Foreign Application Priority Data**

Jun. 7, 2000 (JP) 12-015326

(51) **LOC (7) Cl.** **14-01**

(52) **U.S. Cl.** **D14/136; D14/129**

(58) **Field of Search** D14/126-136,
D14/156-157; 348/794; 369/75.1, 75.2,
77.1, 77.2; 455/344-347, 350, 351

(56) **References Cited**

U.S. PATENT DOCUMENTS

- D. 297,536 9/1988 Ohtsu .
- D. 308,367 6/1990 Nakahara et al. .
- D. 316,714 * 5/1991 Matsumoto D14/126
- D. 337,327 7/1993 Suzuki .
- D. 342,501 12/1993 Saeki et al. .
- D. 359,033 6/1995 Lee .
- D. 367,851 3/1996 Sekino .
- D. 377,648 * 1/1997 Young D14/129

- D. 407,184 5/1999 Sakamoto et al. .
- D. 412,900 8/1999 Utsugi .
- D. 414,764 * 10/1999 Hwang et al. D14/130
- D. 424,537 5/2000 Arai et al. .
- D. 427,169 6/2000 Saeki et al. .
- 4,646,158 * 2/1987 Ohno et al. D14/132 X
- 4,652,932 3/1987 Miyajima et al. .

* cited by examiner

Primary Examiner—Nanda Bondade

(74) *Attorney, Agent, or Firm*—Nixon & Vanderhye

(57) **CLAIM**

The ornamental design for a “digital video disk player with LCD monitor”, as shown and described.

DESCRIPTION

FIG. 1 is a top, front and right side perspective view of a digital video disk player with LCD monitor according to our design, with the cover angled relative to the base;

FIG. 2 is a plan view thereof with the cover and base in a common plane;

FIG. 3 is a bottom plan view thereof;

FIG. 4 is a front elevational view thereof;

FIG. 5 is a rear elevational view thereof;

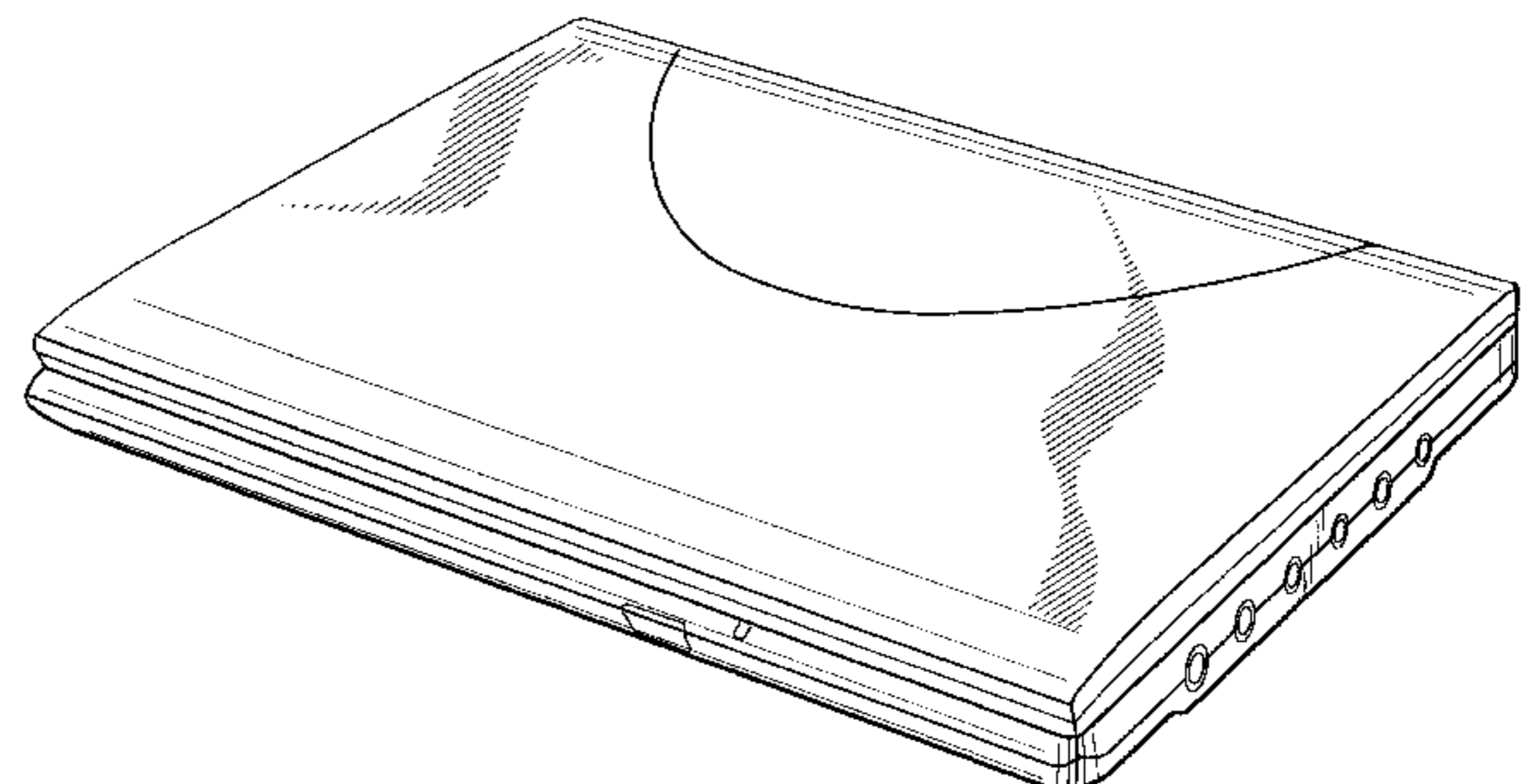
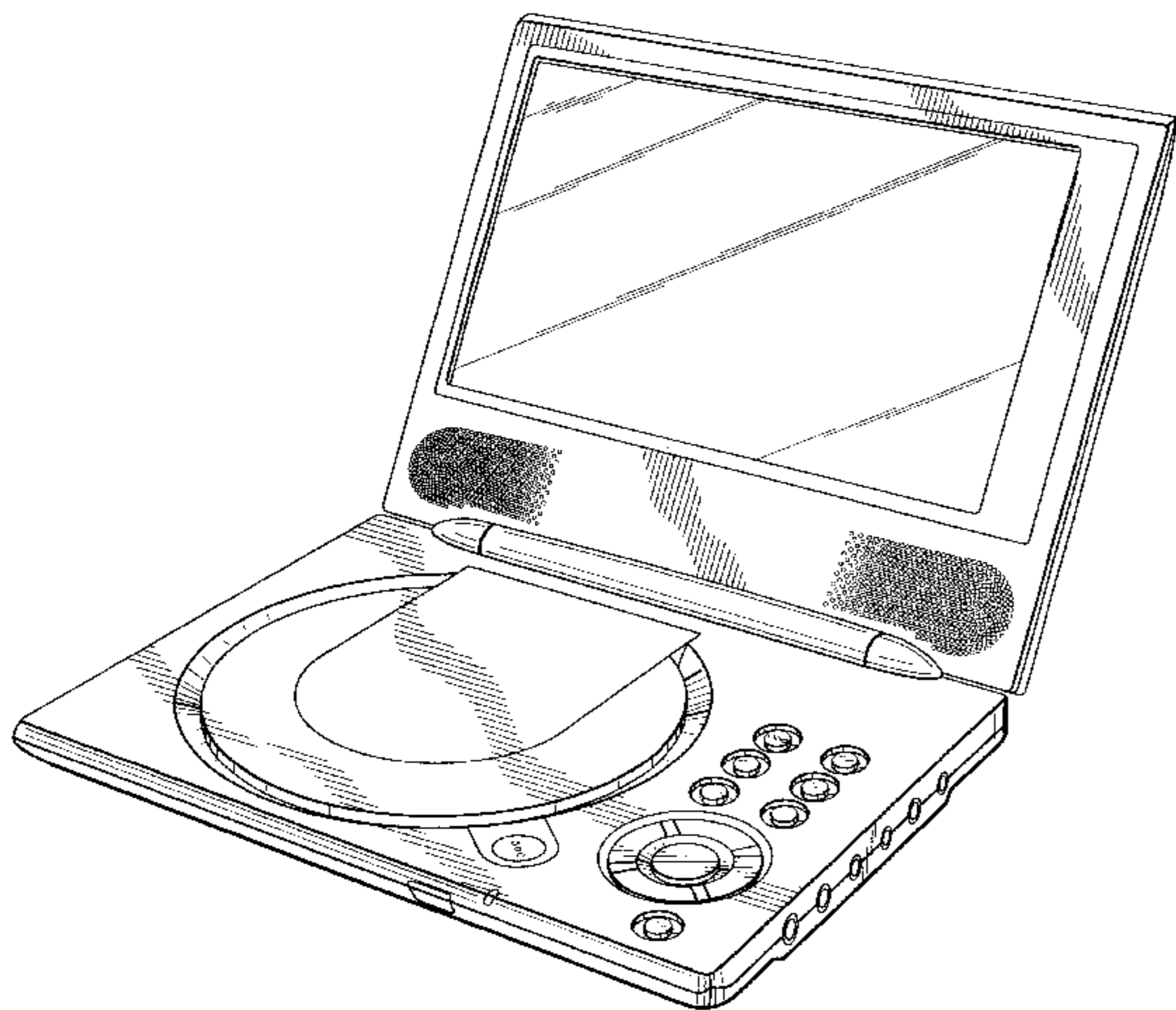
FIG. 6 is a right side elevational view thereof;

FIG. 7 is a left side elevational view thereof;

FIG. 8 is a top, rear and left side perspective view thereof with the digital video disk player with LCD monitor in a closed position; and,

FIG. 9 is a top, front and right side perspective view thereof.

1 Claim, 6 Drawing Sheets



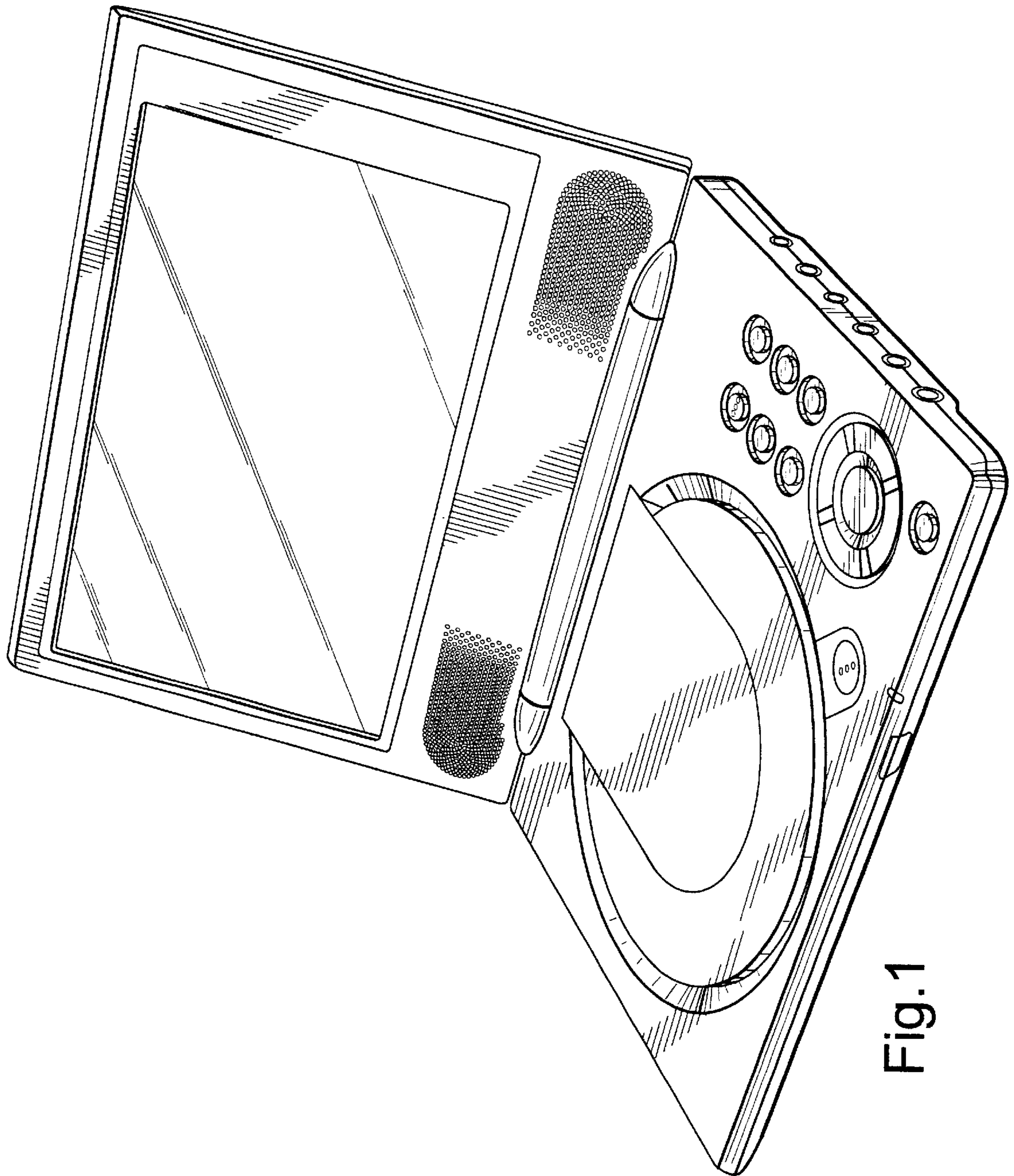


Fig.1

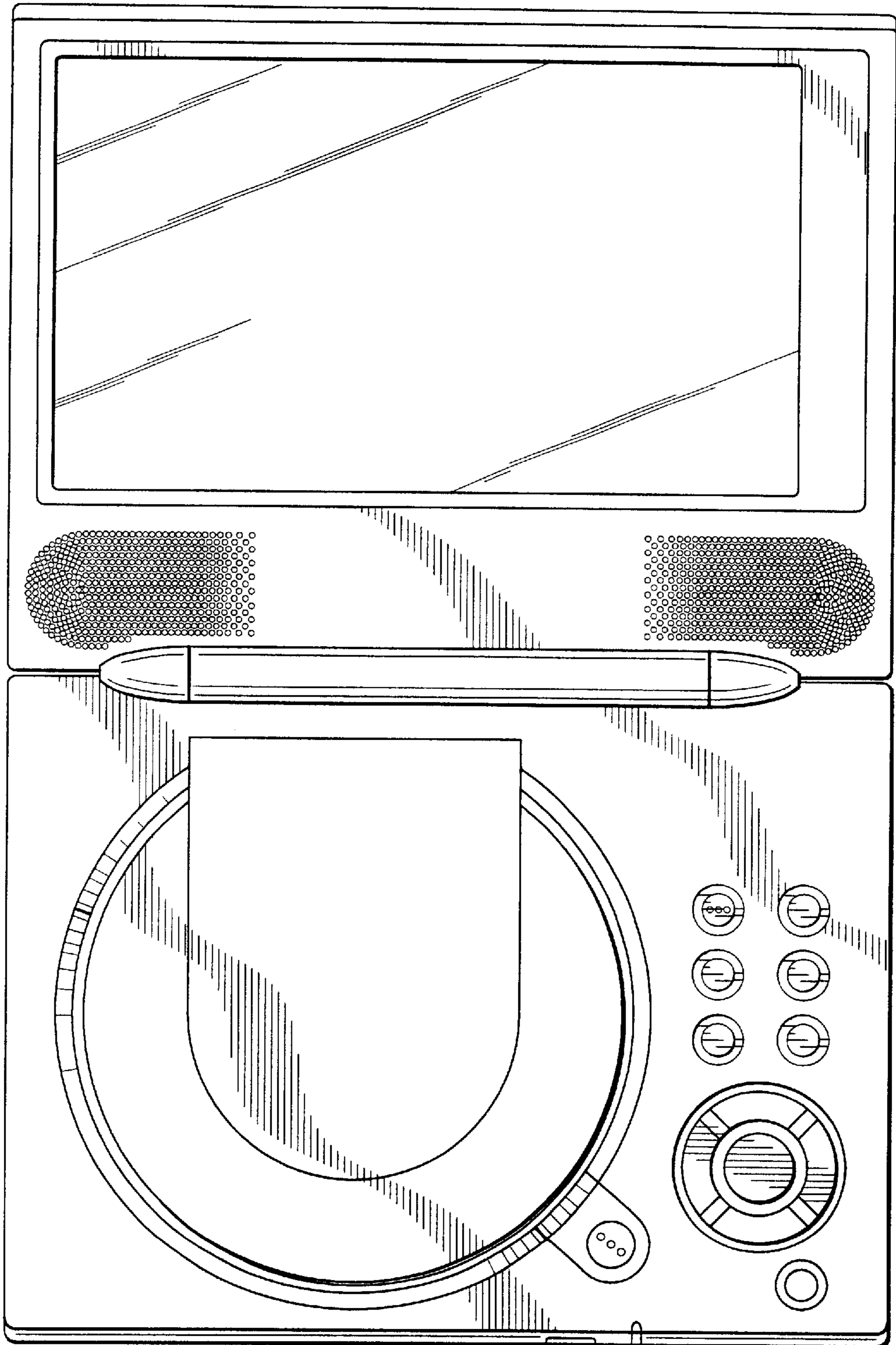


Fig.2

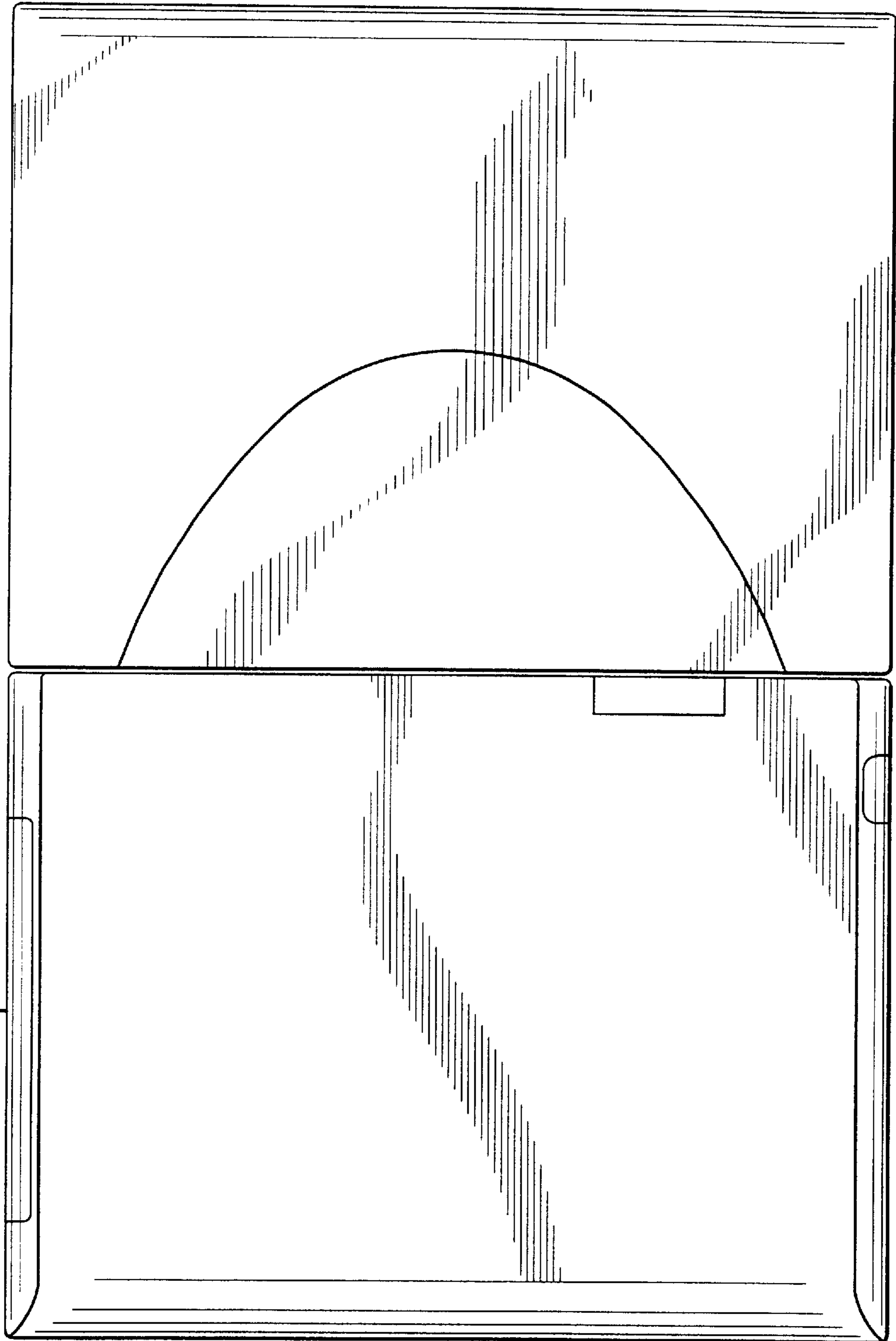


Fig.3

Fig.4

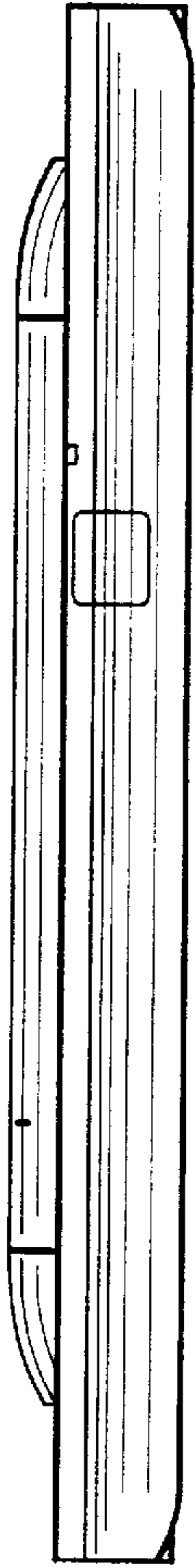


Fig.5

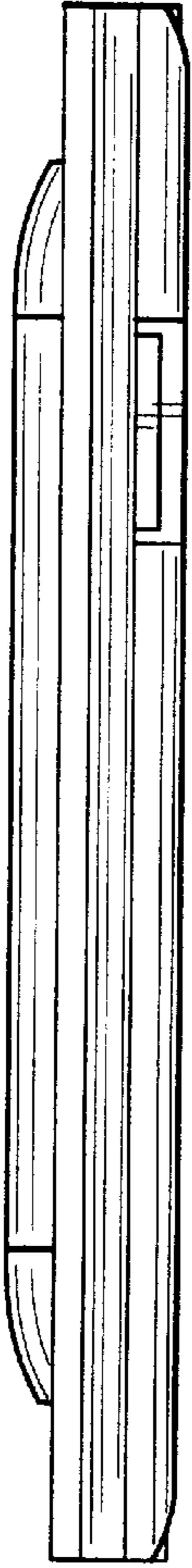


Fig.6

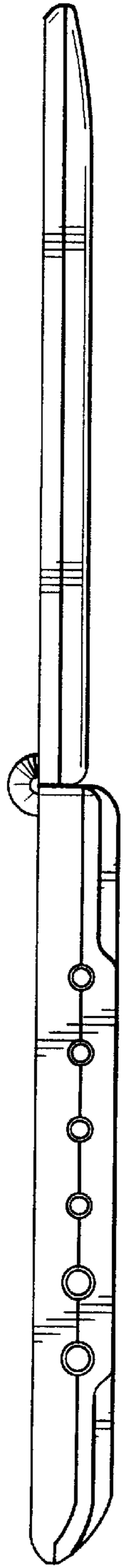
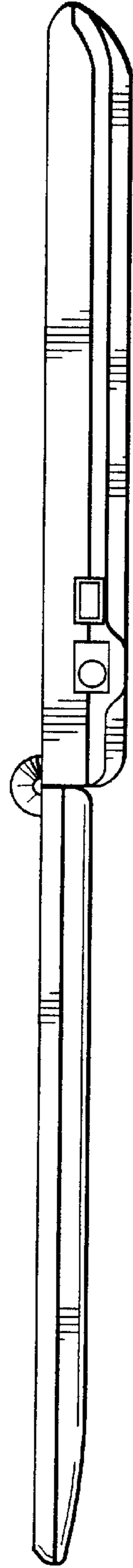


Fig.7



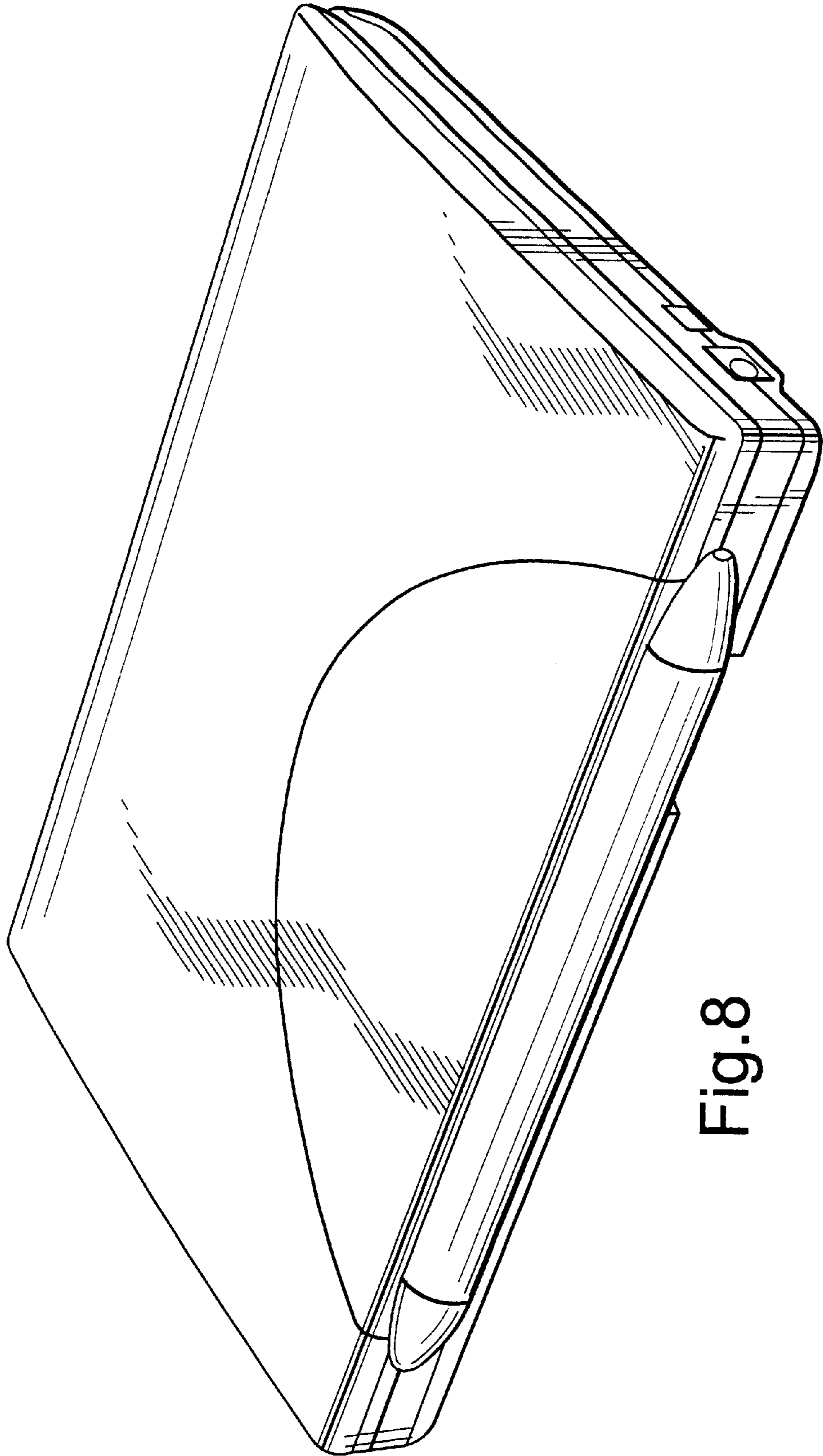


Fig. 8

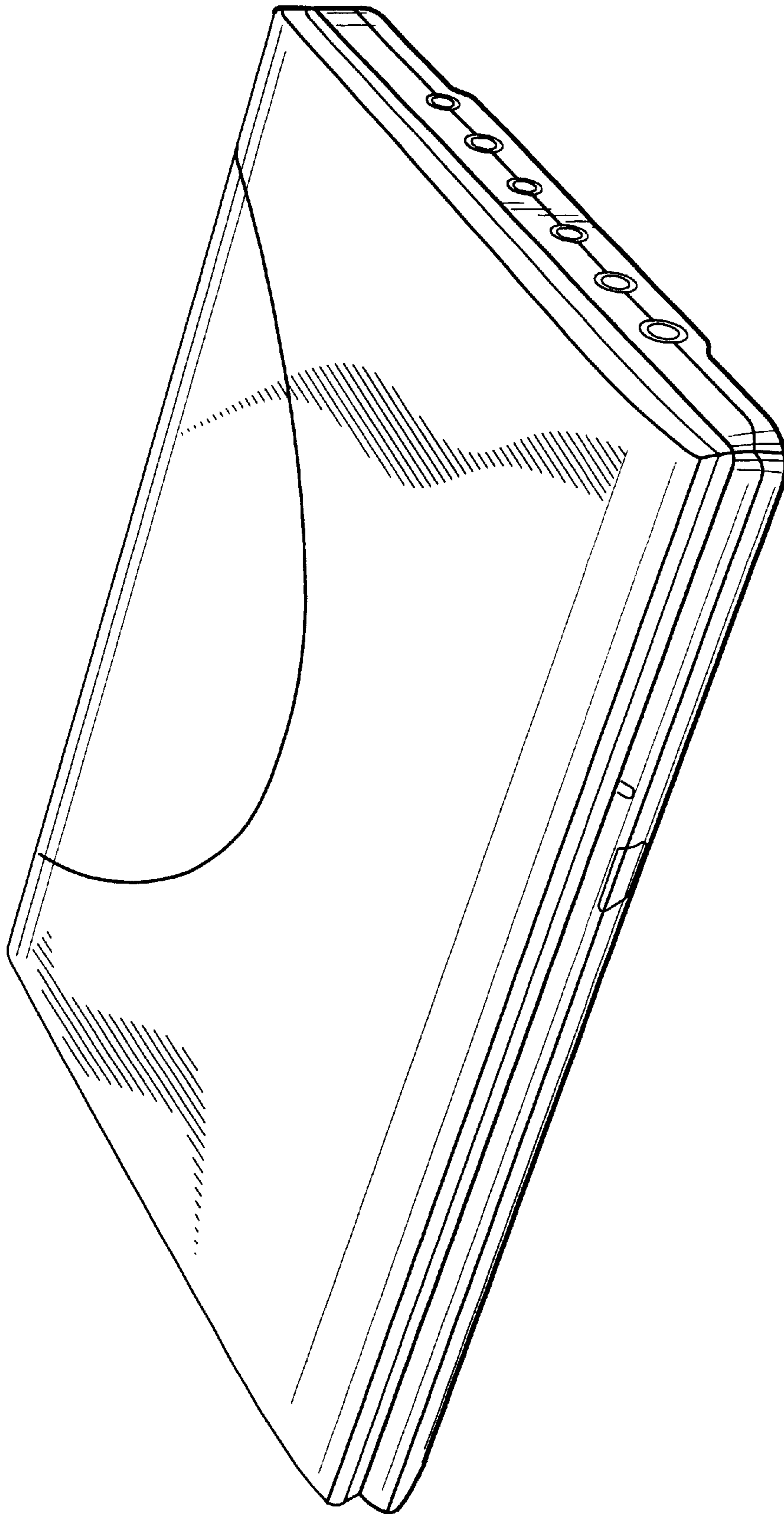


Fig. 9