



US00D447733B1

(12) **United States Design Patent**
Ma et al.

(10) **Patent No.:** **US D447,733 S**

(45) **Date of Patent:** **** Sep. 11, 2001**

(54) **ELECTRICAL CONNECTOR**

(75) Inventors: **XueDong Ma; GuangXing Shi**, both of
KunSan (CN)

(73) Assignee: **Hon Hai Precision Ind. Co., Ltd.**,
Taipei Hsien (TW)

(**) Term: **14 Years**

(21) Appl. No.: **29/131,973**

(22) Filed: **Oct. 30, 2000**

(30) **Foreign Application Priority Data**

Sep. 29, 2000 (TW) 089306538

(51) **LOC (7) Cl.** **13-03**

(52) **U.S. Cl.** **D13/147**

(58) **Field of Search** D13/133, 146,
D13/149; D14/256; 439/676, 607-610

(56) **References Cited**

U.S. PATENT DOCUMENTS

D. 413,103	*	8/1999	Wu	D13/147
D. 434,379	*	11/2000	Funatsu	D13/147
5,195,911	*	3/1993	Murphy	439/607
5,378,172	*	1/1995	Roberts	439/676
5,702,271	*	12/1997	Steinman	439/676

5,736,910	*	4/1998	Townsend et al.	439/620 X
5,766,041	*	6/1998	Morin et al.	439/609
5,989,069	*	11/1999	Tan	439/676 X
6,116,946	*	9/2000	Lewis et al.	439/676 X
6,120,329	*	9/2000	Steinman	439/676
6,142,822	*	11/2000	Wu	439/490
6,155,878	*	12/2000	Chen	439/607
6,165,022	*	12/2000	Wu	439/676
6,174,194	*	1/2001	Bleicher et al.	439/676 X

* cited by examiner

Primary Examiner—Joel Sincavage

(74) *Attorney, Agent, or Firm*—Wei Te Chung

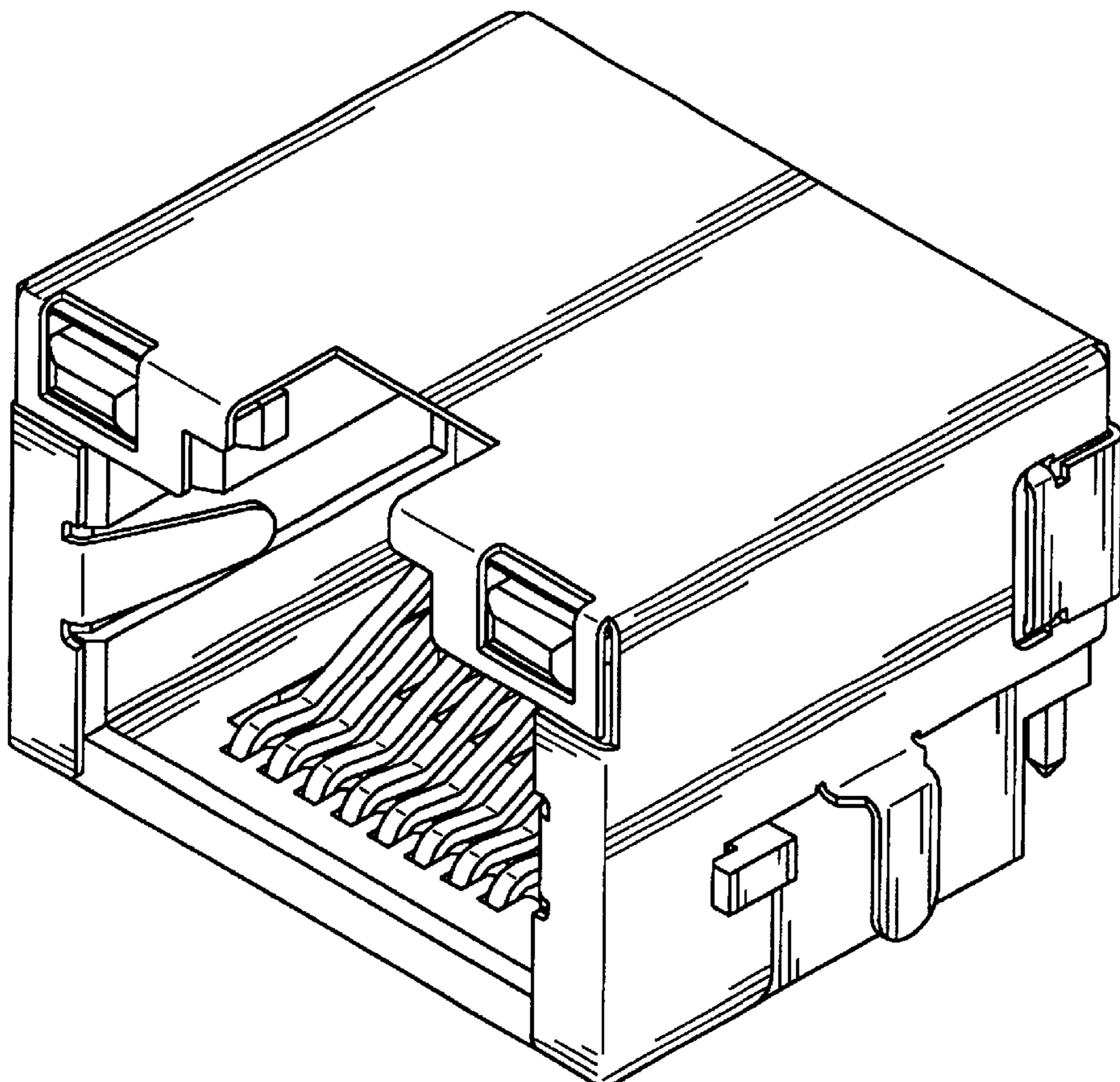
(57) **CLAIM**

The ornamental design for an electrical connector, as shown.

DESCRIPTION

FIG. 1 is a front, top and right side perspective view of an electrical connector showing our new design; FIG. 2 is a front elevational view thereof; FIG. 3 is a rear elevational view thereof; FIG. 4 is a left side elevational view thereof; FIG. 5 is a right side elevational view thereof; FIG. 6 is a top plan view thereof; and, FIG. 7 is a bottom plan view thereof.

1 Claim, 7 Drawing Sheets



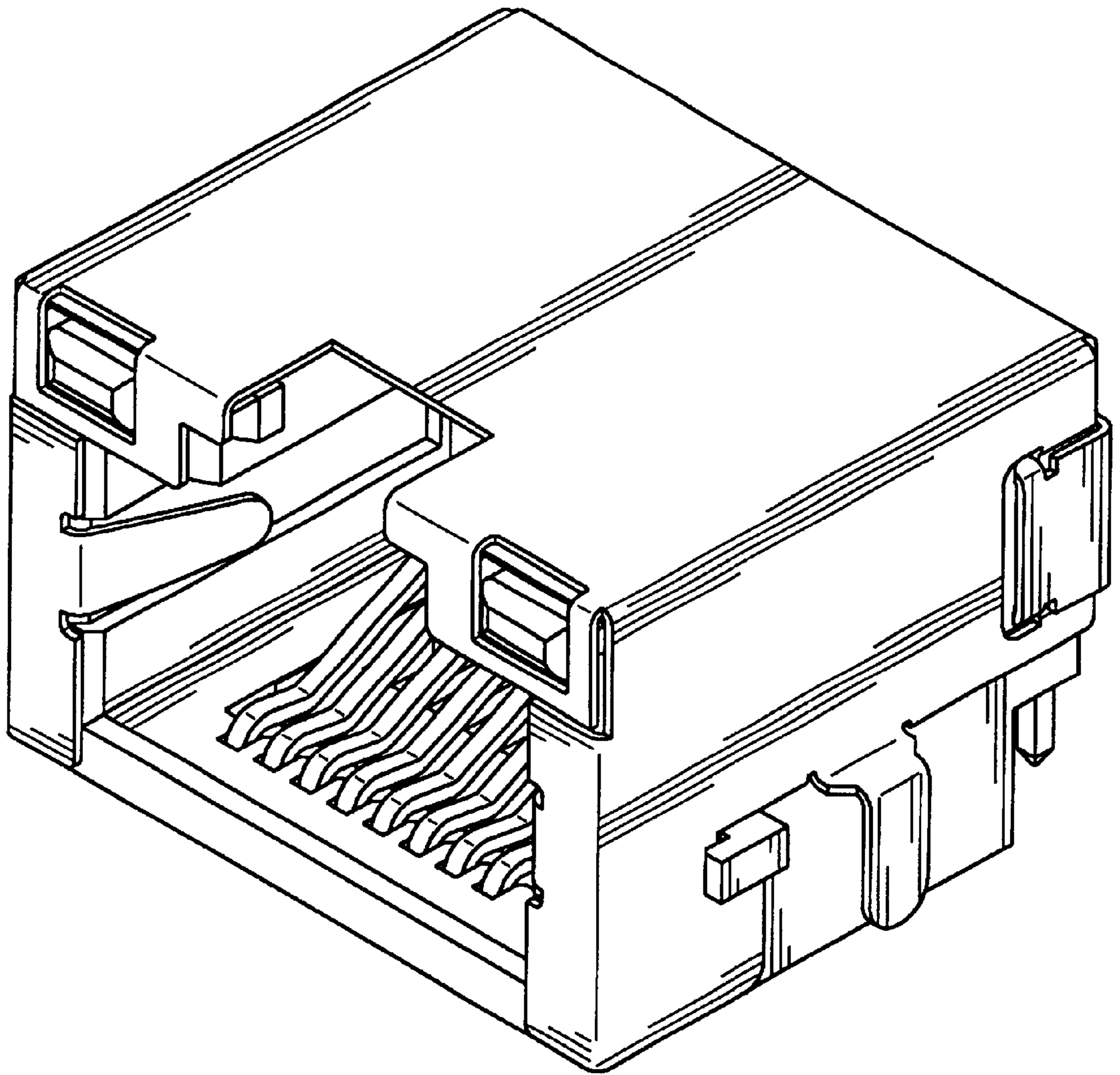


FIG. 1

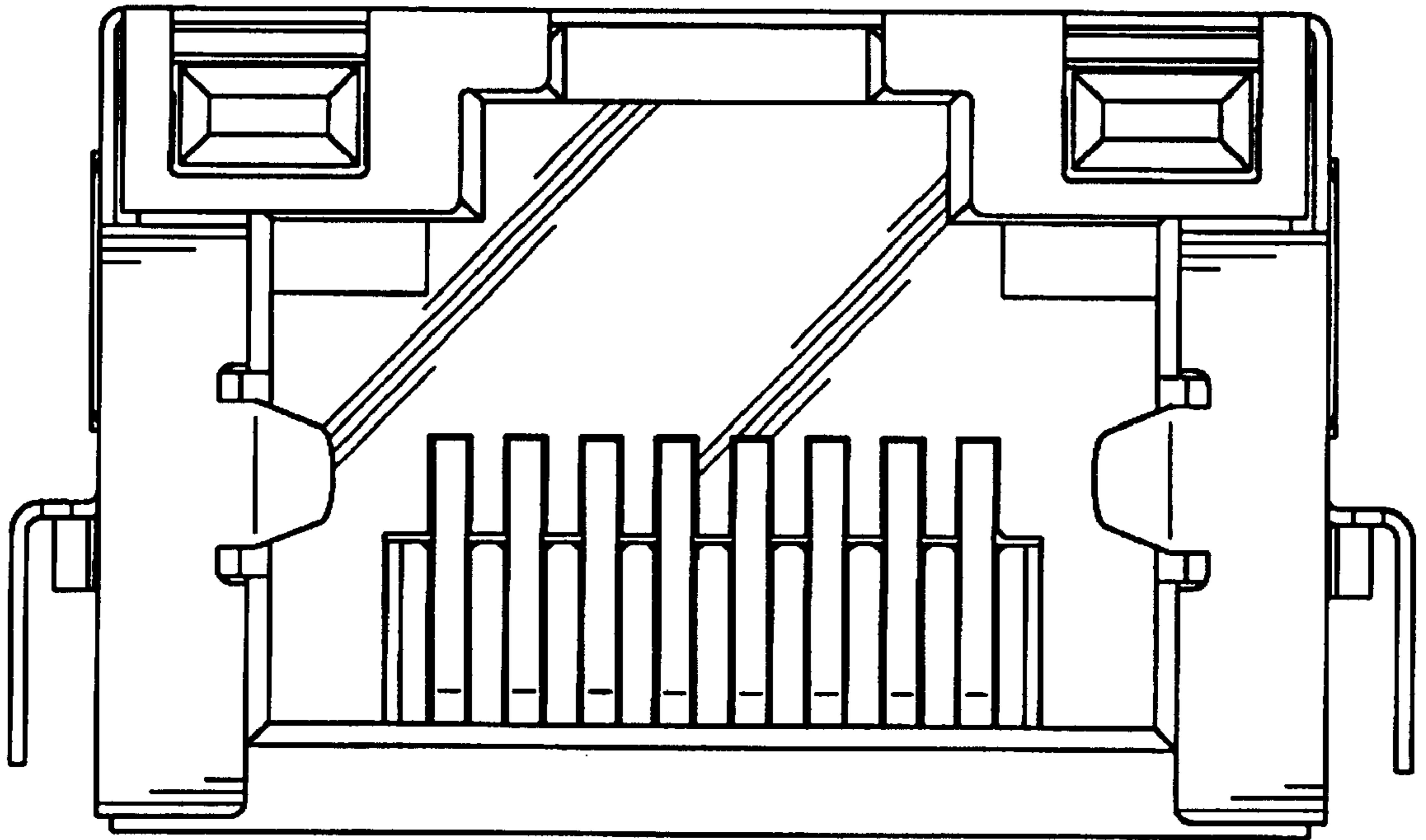


FIG. 2

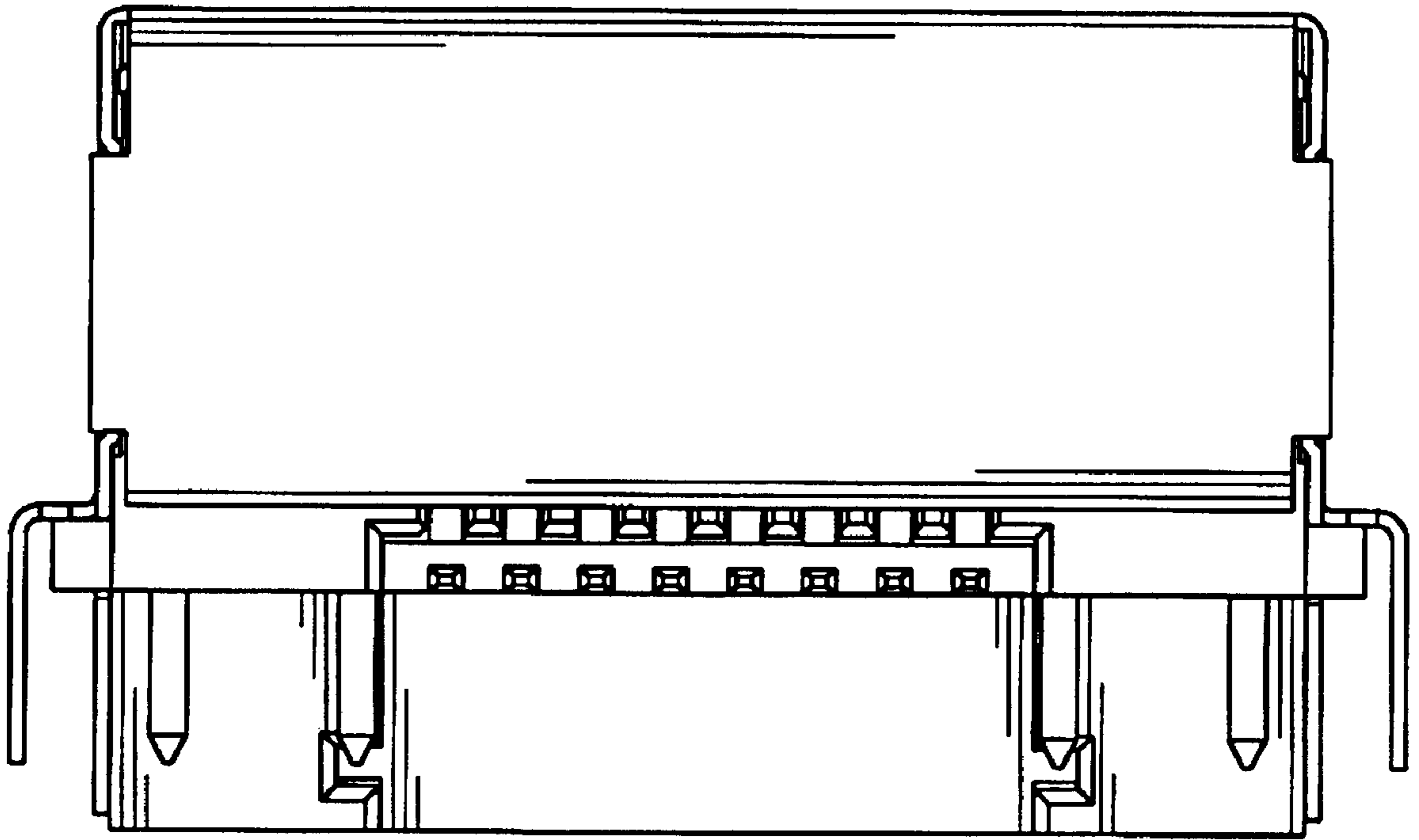


FIG. 3

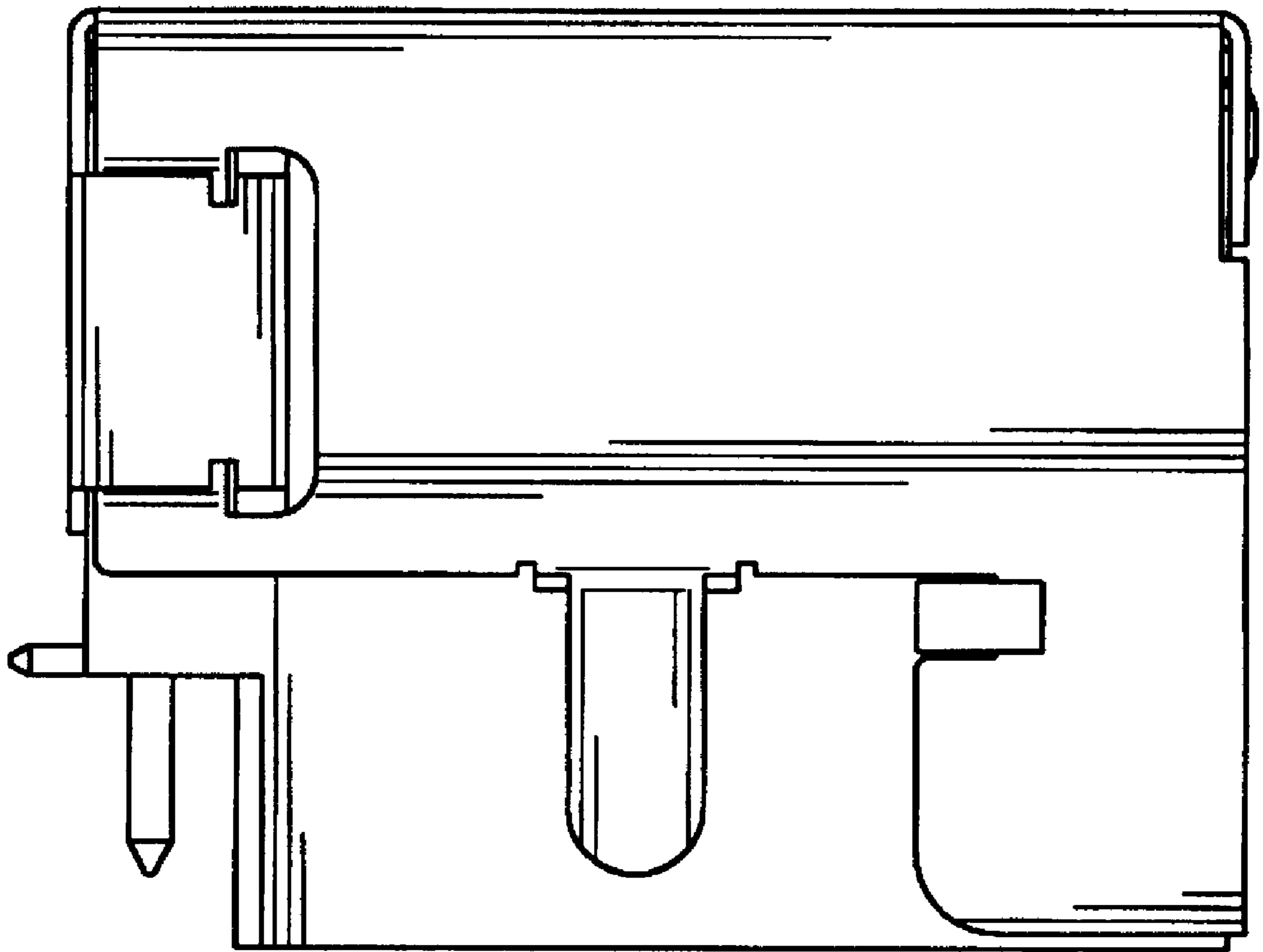


FIG. 4

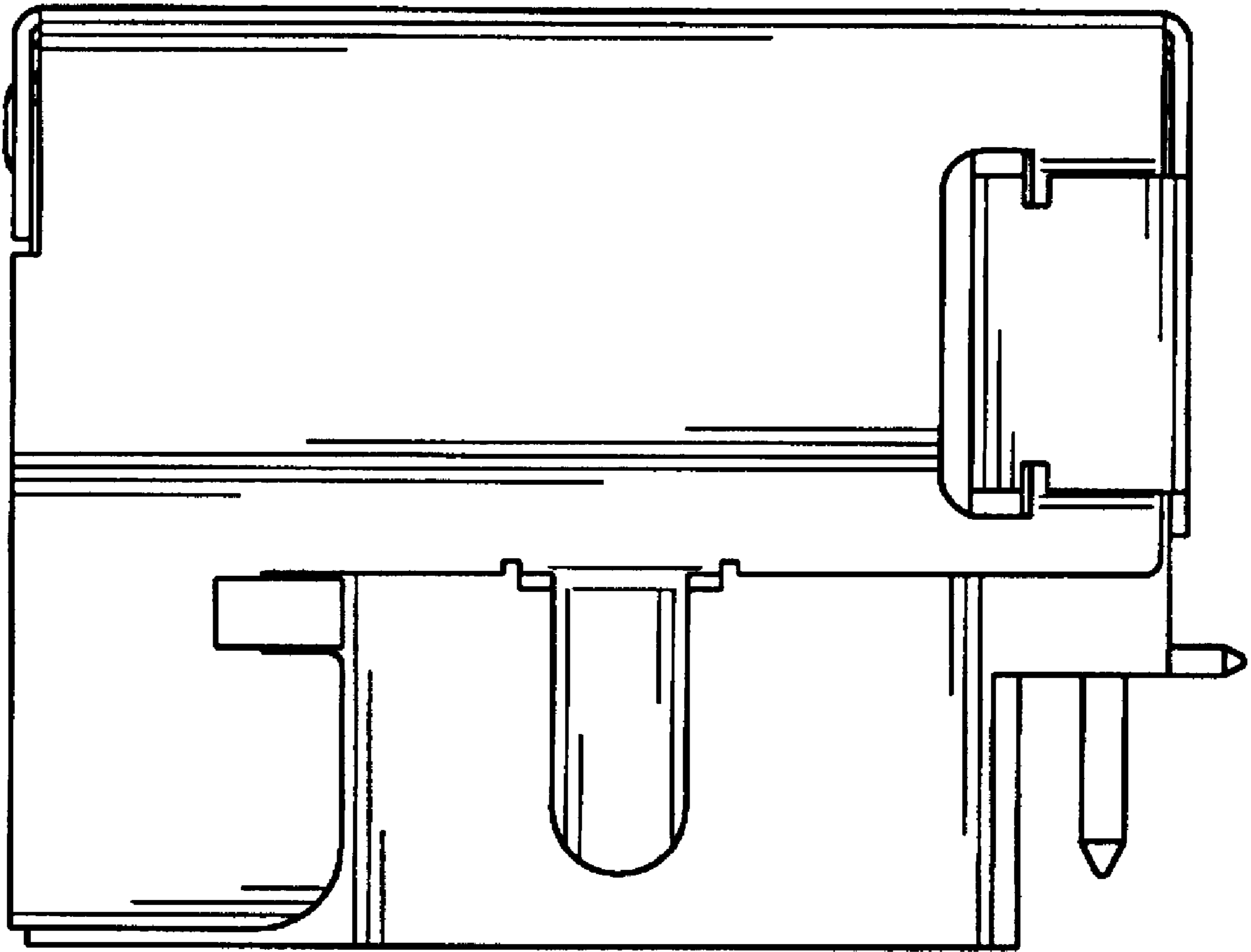


FIG. 5

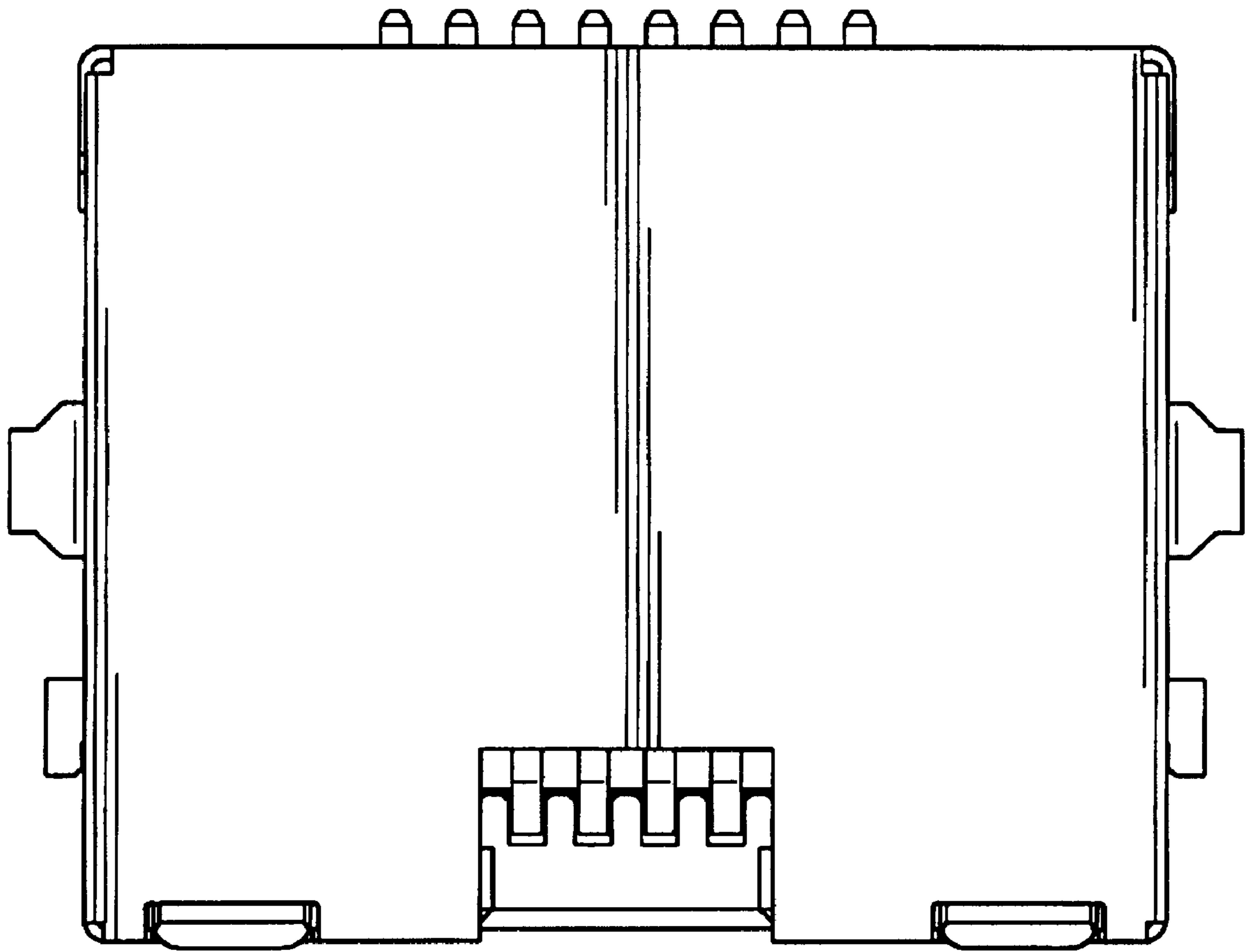


FIG. 6

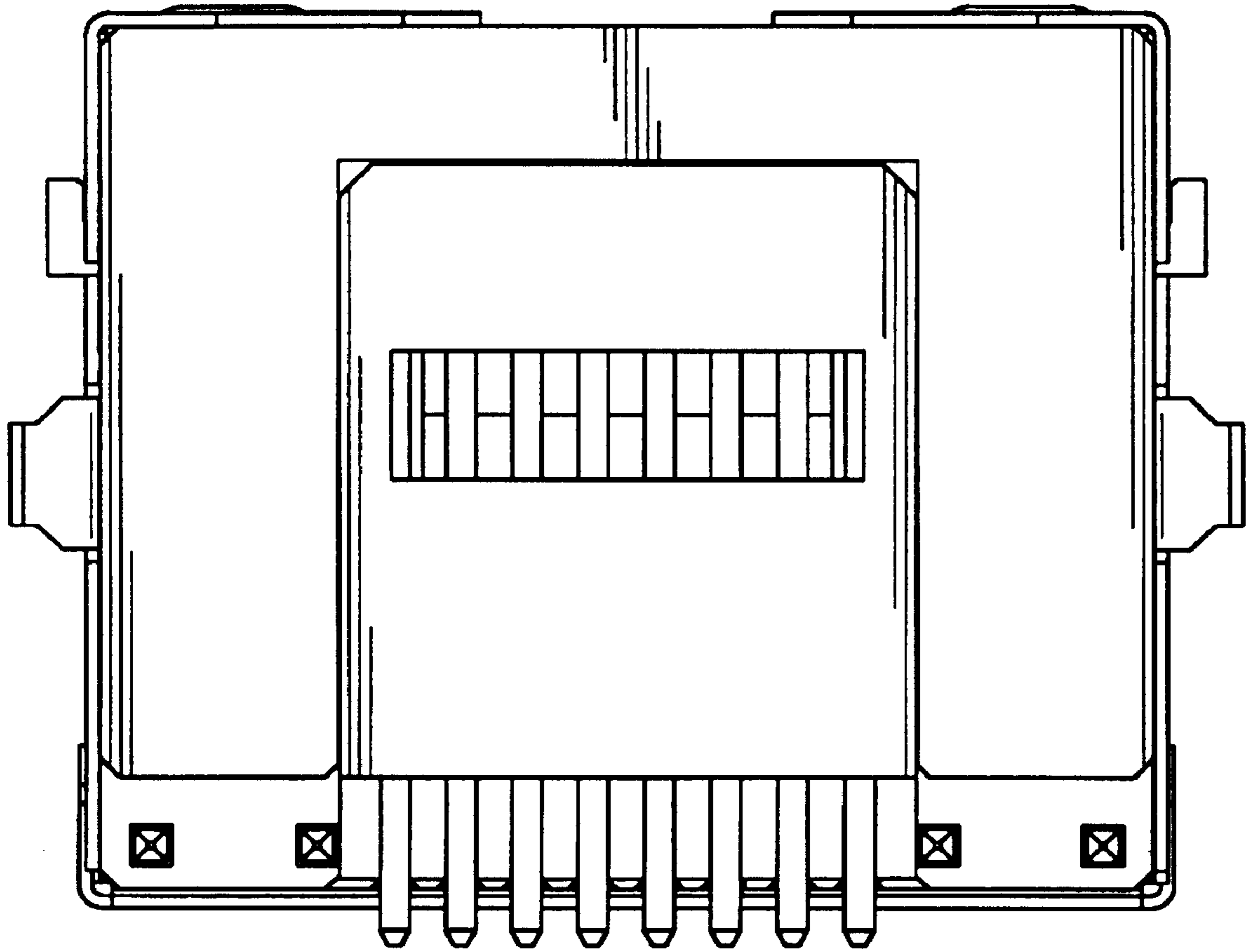


FIG. 7