



US00D447728B1

(12) **United States Design Patent**
McCoy et al.

(10) **Patent No.: US D447,728 S**

(45) **Date of Patent: ** Sep. 11, 2001**

(54) **HITCH COVER**

(75) Inventors: **Richard W. McCoy**, Granger; **Thomas W. Lindenman**, South Bend, both of IN (US)

(73) Assignee: **Reese Products, Inc.**, Elkhart, IN (US)

(**) Term: **14 Years**

(21) Appl. No.: **29/132,150**

(22) Filed: **Nov. 2, 2000**

Related U.S. Application Data

(62) Division of application No. 29/113,163, filed on Oct. 29, 1999, now Pat. No. Des. 433,970.

(51) **LOC (7) Cl.** **12-16**

(52) **U.S. Cl.** **D12/406**

(58) **Field of Search** D12/162, 400, D12/406, 408-414.1; D3/23, 38; 224/917.5, 917, 488, 504-506, 518-519, 521-530, 42.43, 42.44, 42.07-42.08, 924; 280/186, 163-166, 30, 39, 769, 491.2, 415.1, 504, 511, 493-495, 416.1, 420, 507, 476.1, 456.1, 423.1

(56) **References Cited**

U.S. PATENT DOCUMENTS

- D. 327,043 * 6/1992 Ott et al. D12/406
- D. 343,151 * 1/1994 Eckhart D12/406
- D. 352,925 * 11/1994 Eckhart D12/406
- D. 369,996 * 5/1996 Wylie D12/162
- D. 373,557 * 9/1996 Shaw et al. D12/162
- D. 379,343 * 5/1997 Shaw et al. D12/162
- D. 401,195 * 11/1998 Chimenti D12/162

- D. 404,348 * 1/1999 Hohnholt D12/162
- D. 433,970 * 11/2000 McCoy et al. D12/406
- D. 434,354 * 11/2000 McCoy et al. D12/162
- 4,856,686 * 8/1989 Workentine 224/917.5 X
- 4,906,015 * 3/1990 Lacroix et al. 280/415.1
- 5,096,102 * 3/1992 Tolson 224/917.5
- 5,181,822 * 1/1993 Allsop et al. 224/917 X
- 5,330,312 * 7/1994 Allsop et al. 224/917.5
- 5,443,189 * 8/1995 Hirschfeld 224/501
- 5,445,300 * 8/1995 Eipper et al. 224/496
- 5,449,101 * 9/1995 Van Dusen 224/506
- 5,454,496 * 10/1995 Sumida et al. 224/509
- 5,593,076 * 1/1997 Biondo 224/488
- 5,803,330 * 9/1998 Stack et al. 224/518
- 5,862,966 * 1/1999 Mehls 224/504
- 6,010,049 * 1/2000 Stein 224/485

* cited by examiner

Primary Examiner—Stacia Cadmus

(74) *Attorney, Agent, or Firm*—Leon E. Redman; Lloyd D. Doigan

(57) **CLAIM**

The ornamental design for a hitch cover, as shown and described.

DESCRIPTION

FIG. 1 is a perspective view of the hitch cover showing our new design;

FIG. 2 is a top plan view thereof;

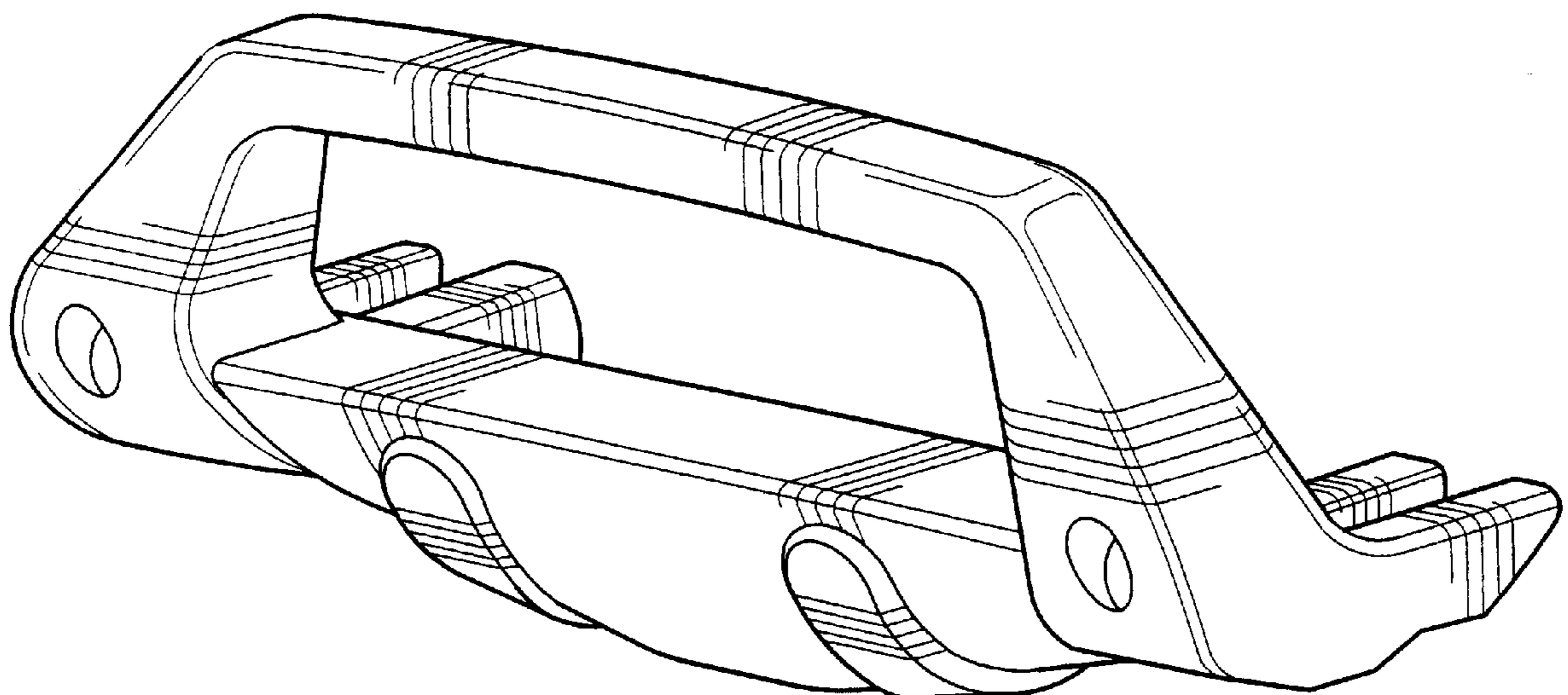
FIG. 3 is a rear elevational view thereof;

FIG. 4 is a bottom plan view thereof;

FIG. 5 is a left side elevational view thereof, the right side being a mirror image of the left shown; and,

FIG. 6 is a front elevational view thereof.

1 Claim, 2 Drawing Sheets



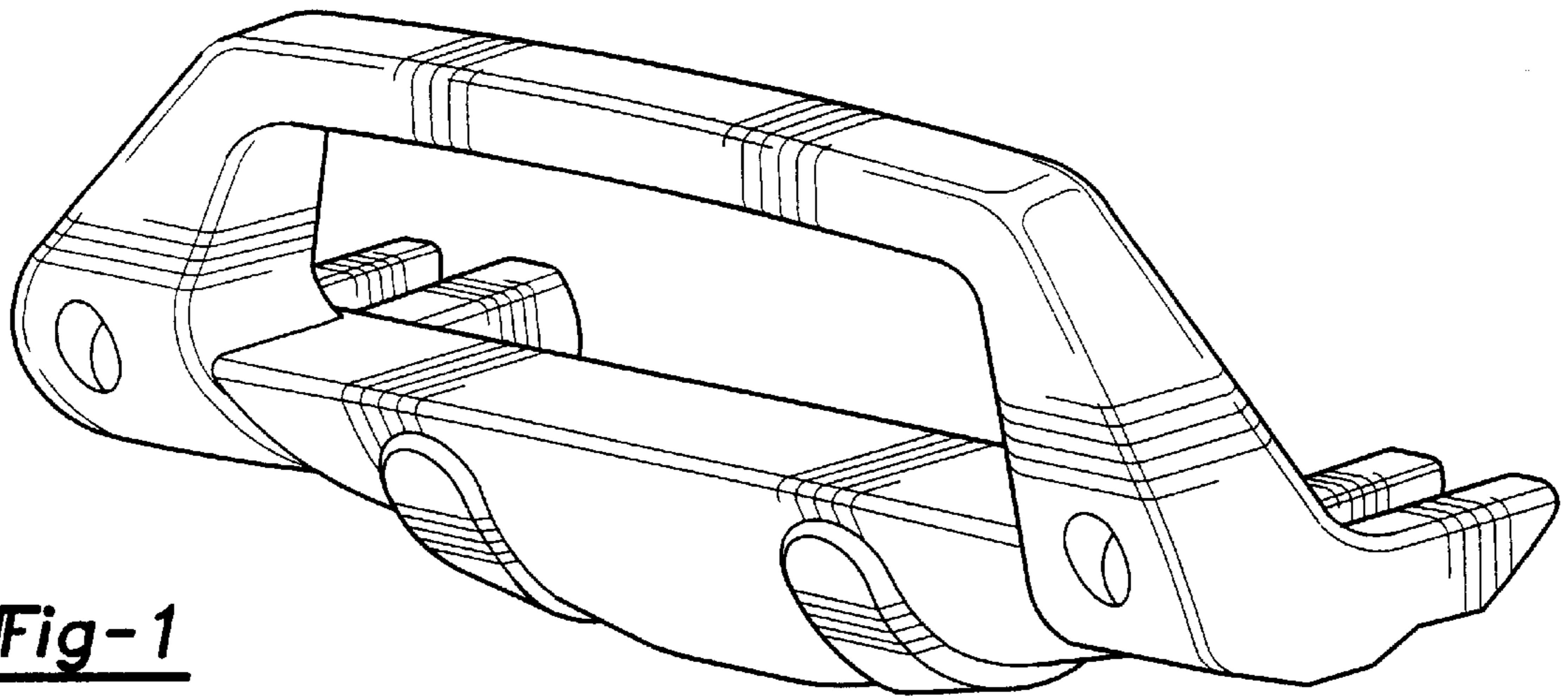


Fig-1

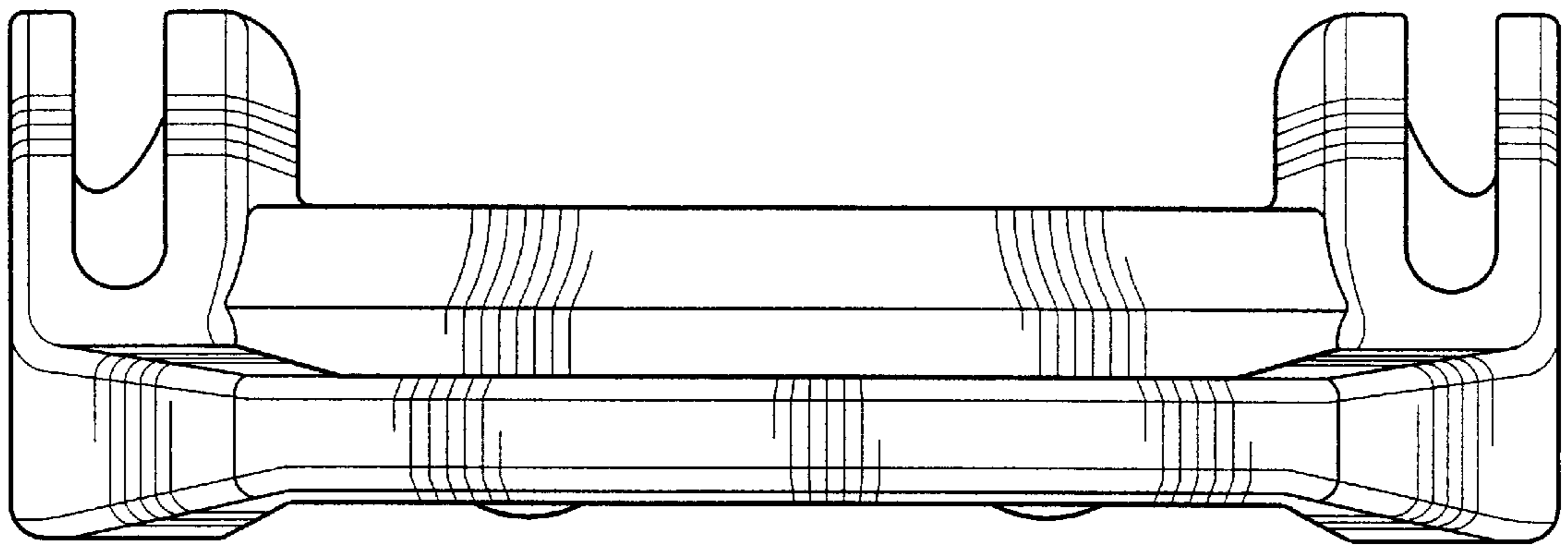


Fig-2

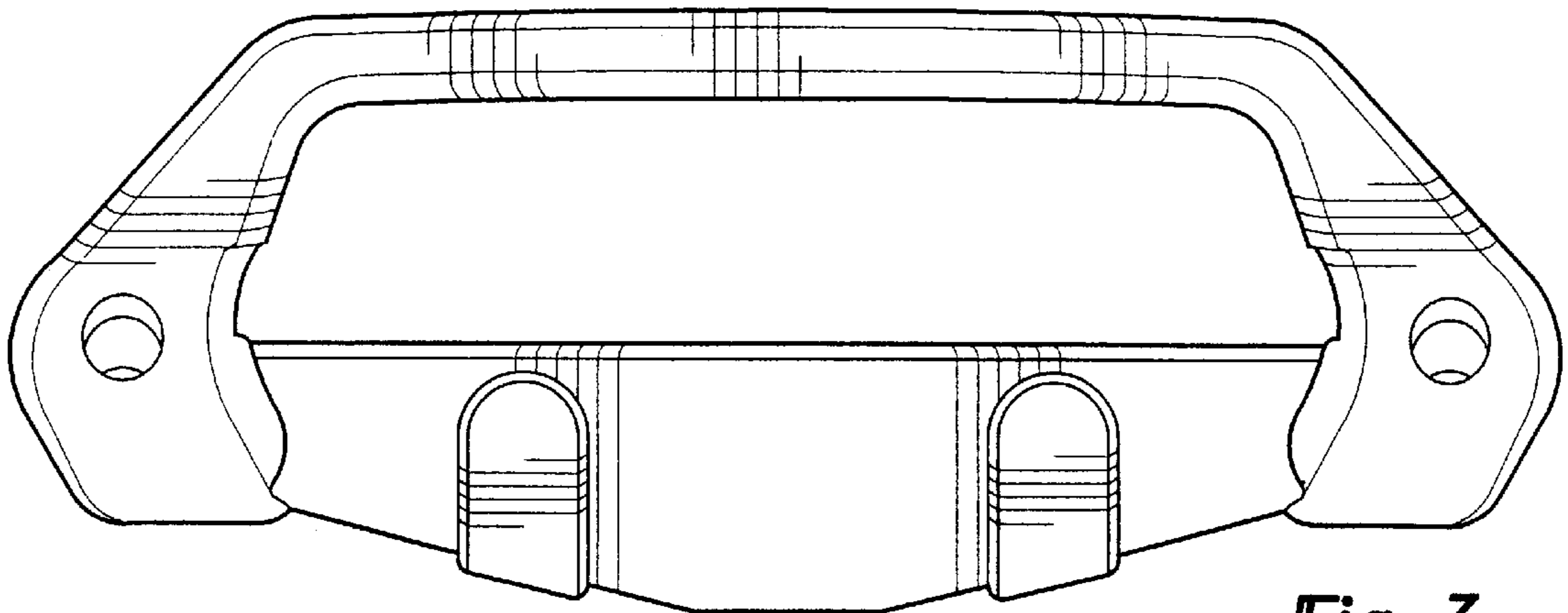


Fig-3

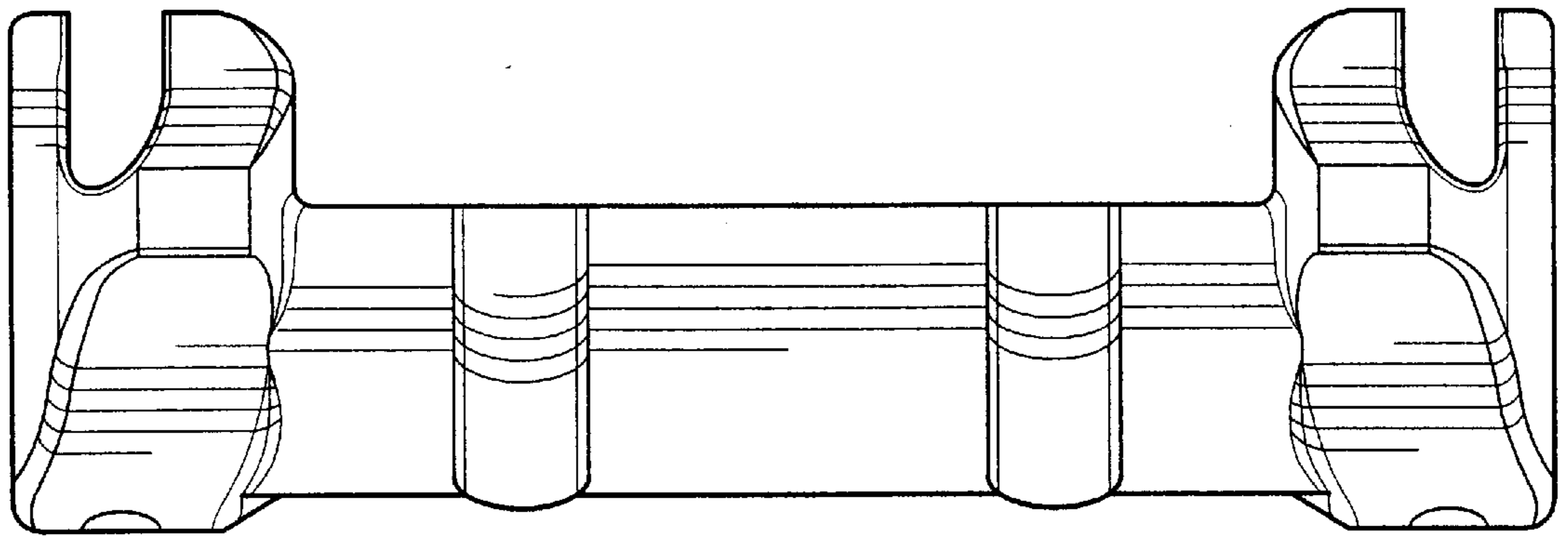


Fig-4

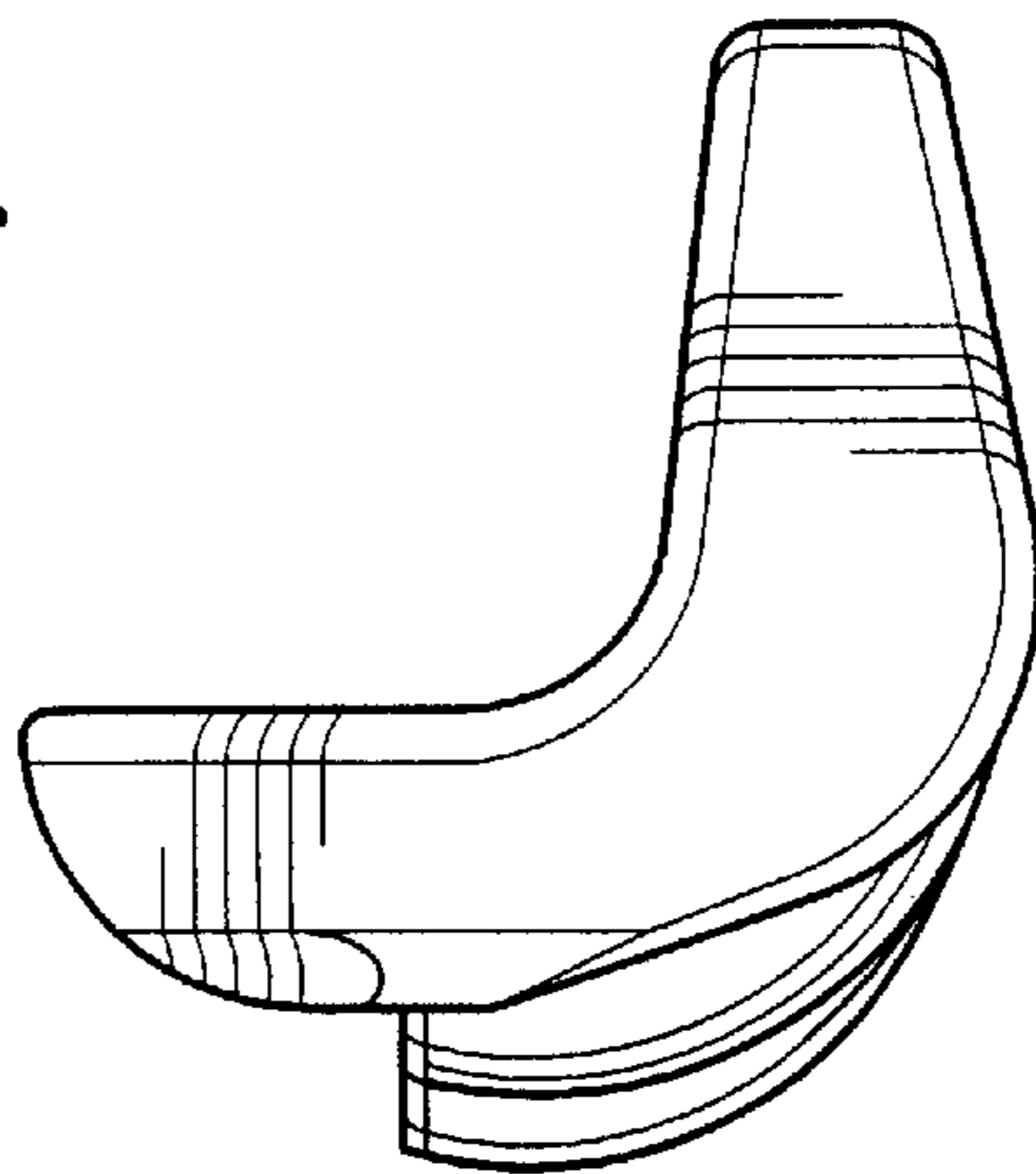


Fig-5

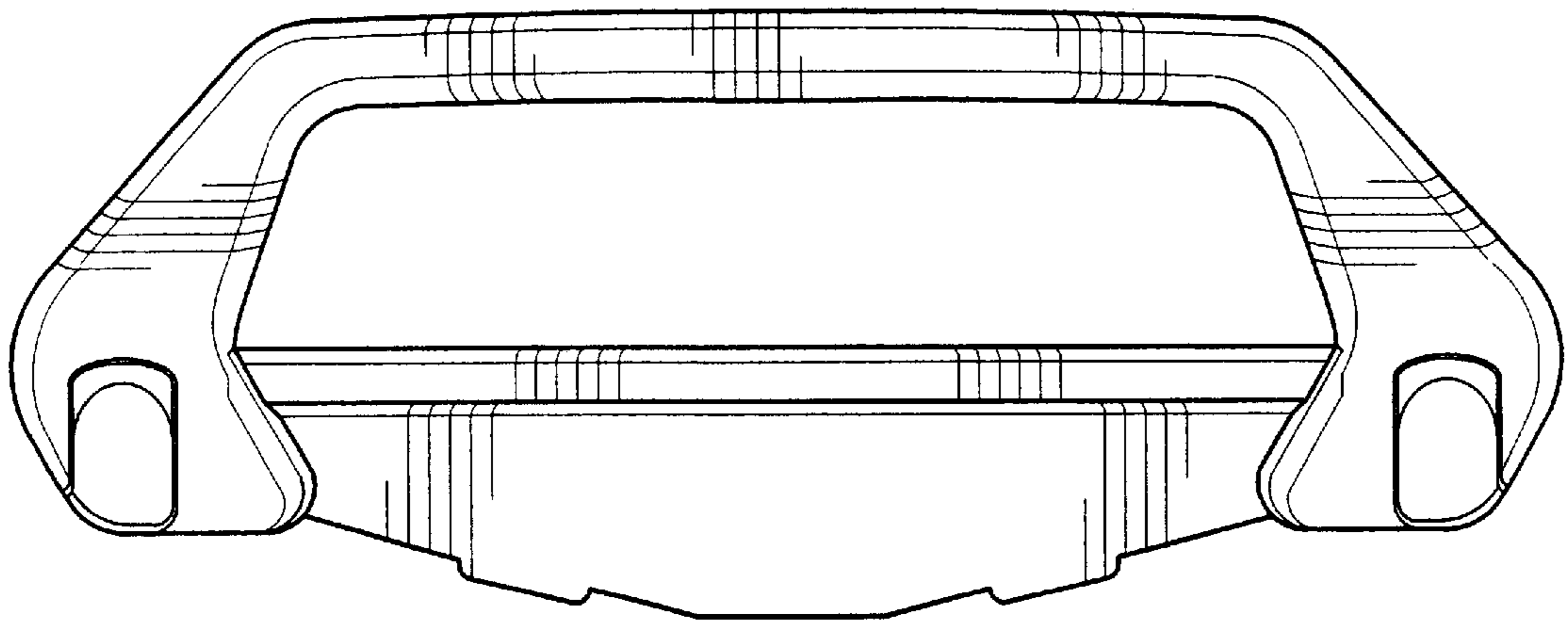


Fig-6